



US00D927420S

(12) **United States Design Patent**
Lee et al.

(10) **Patent No.: US D927,420 S**
(45) **Date of Patent: ** Aug. 10, 2021**

(54) **COMBINED WIRELESS EARBUD CRADLE WITH CHARGING PAD**

(71) Applicant: **LG ELECTRONICS INC.**, Seoul (KR)

(72) Inventors: **Gayeong Lee**, Seoul (KR); **Gangho Woo**, Seoul (KR); **Soonhyun Park**, Seoul (KR); **Byunghyun Yi**, Seoul (KR)

(73) Assignee: **LG ELECTRONICS INC.**, Seoul (KR)

(**) Term: **15 Years**

(21) Appl. No.: **35/509,598**

(22) Filed: **Dec. 12, 2019**

(80) **Hague Agreement Data**

Int. Filing Date: **Dec. 12, 2019**

Int. Reg. No.: **DM/208198**

Int. Reg. Date: **Dec. 12, 2019**

Int. Reg. Pub. Date: **Jun. 12, 2020**

(30) **Foreign Application Priority Data**

Aug. 26, 2019 (KR) 30-2019-0040773

(51) **LOC (13) Cl.** **13-02**

(52) **U.S. Cl.**
USPC **D13/108**

(58) **Field of Classification Search**
USPC D13/108, 107, 120; D14/223, 224.1; D3/274, 294, 201; D24/174
CPC H04R 1/1016; H04M 1/05; H01F 1/147
See application file for complete search history.

(56) **References Cited**

U.S. PATENT DOCUMENTS

D610,983 S * 3/2010 Wai D13/108

D639,788 S * 6/2011 Borregaard D14/224.1

D735,132 S * 7/2015 Donohue, II D13/108
D747,265 S * 1/2016 Marini D13/107
D749,042 S * 2/2016 Gecawicz D13/107
D755,976 S * 5/2016 Herscher D24/174
D822,374 S * 7/2018 Hung D3/201
(Continued)

OTHER PUBLICATIONS

“Samsung Genuine . . .” reference dated Apr. 24, 2021 found by RMS on the internet at: <https://www.amazon.com/Original-Charging-EP-QR175-Galaxy-Buds/dp/B0854JNY1P>.*

(Continued)

Primary Examiner — Rhea Shields

(74) *Attorney, Agent, or Firm* — Birch, Stewart, Kolasch & Birch LLP

(57) **CLAIM**

The ornamental design for a combined wireless earbud cradle with charging pad, as shown and described.

DESCRIPTION

1. Combined wireless earbud cradle with charging pad

1.1 : Perspective

1.2 : Front

1.3 : Back

1.4 : Left

1.5 : Right

1.6 : Top

1.7 : Bottom

1.8 : Perspective

1.9 : Front

1.10 : Back

1.11 : Left

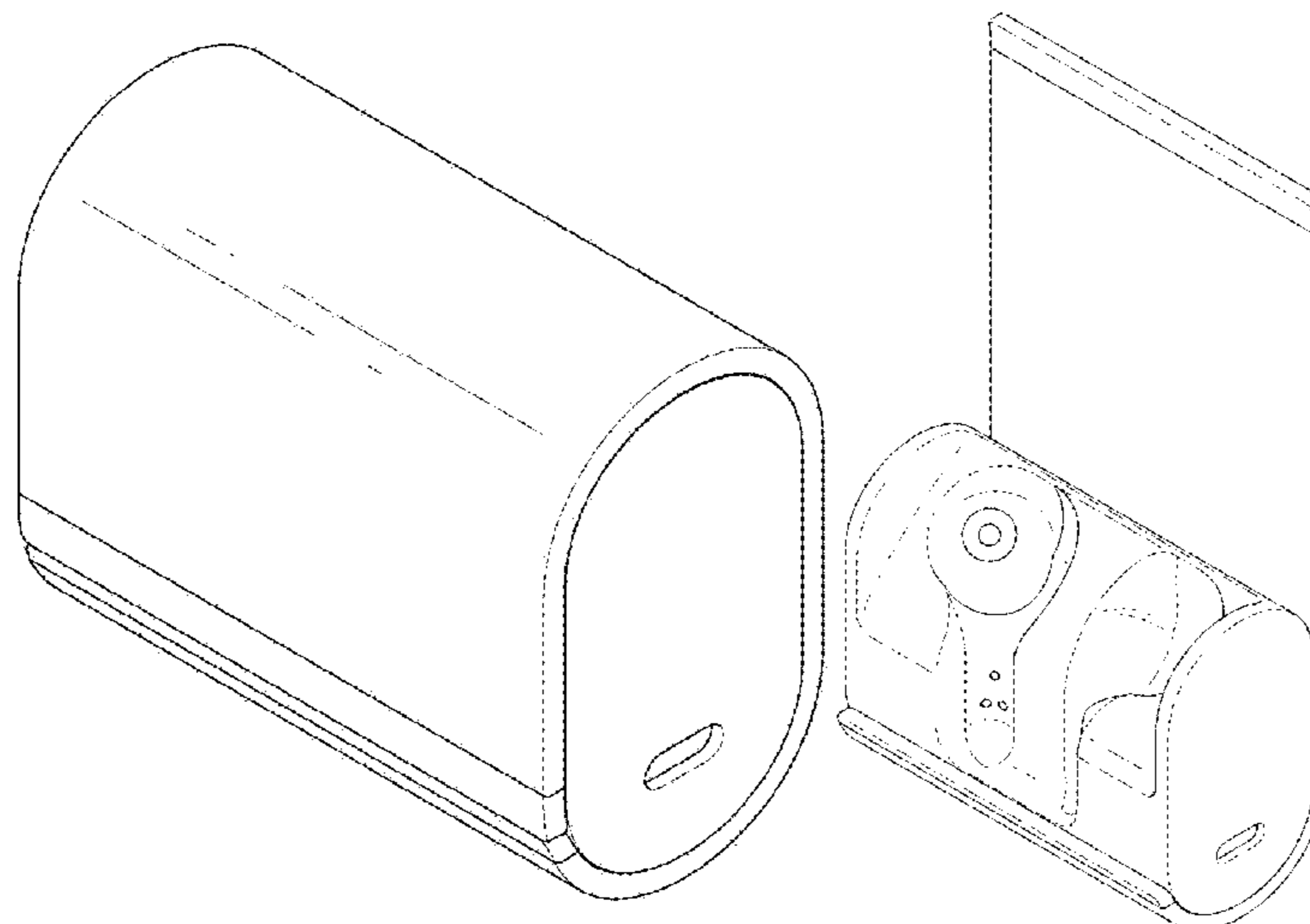
1.12 : Right

1.13 : Top

1.14 : Bottom

Reproduction 1.1 to 1.7 show the subject design before its change, and reproduction 1.8 to 1.14 show a state in which a front cover of the subject design is open.

1 Claim, 14 Drawing Sheets



(56)

References Cited

U.S. PATENT DOCUMENTS

D826,152 S * 8/2018 Christiansen D13/108
 D841,580 S * 2/2019 Bao D13/108
 D841,581 S * 2/2019 Bonahoom D13/108
 D850,365 S * 6/2019 Loermann D13/107
 D864,110 S * 10/2019 Yoshimura D13/108
 D870,451 S * 12/2019 Birger D3/201
 D870,666 S * 12/2019 Madsen D13/108
 D873,217 S * 1/2020 Zhang D13/108
 D878,045 S * 3/2020 Akana D3/274
 D888,408 S * 6/2020 Lee D3/201
 D890,091 S * 7/2020 Cramer D13/108
 D893,184 S * 8/2020 Liu D3/294
 D893,185 S * 8/2020 Liu D3/294
 D897,291 S * 9/2020 Akana D13/120
 D897,678 S * 10/2020 Koh D3/294
 D897,997 S * 10/2020 Zhang D14/223
 D899,358 S * 10/2020 Reilly D13/108
 D904,024 S * 12/2020 Koneru D3/294

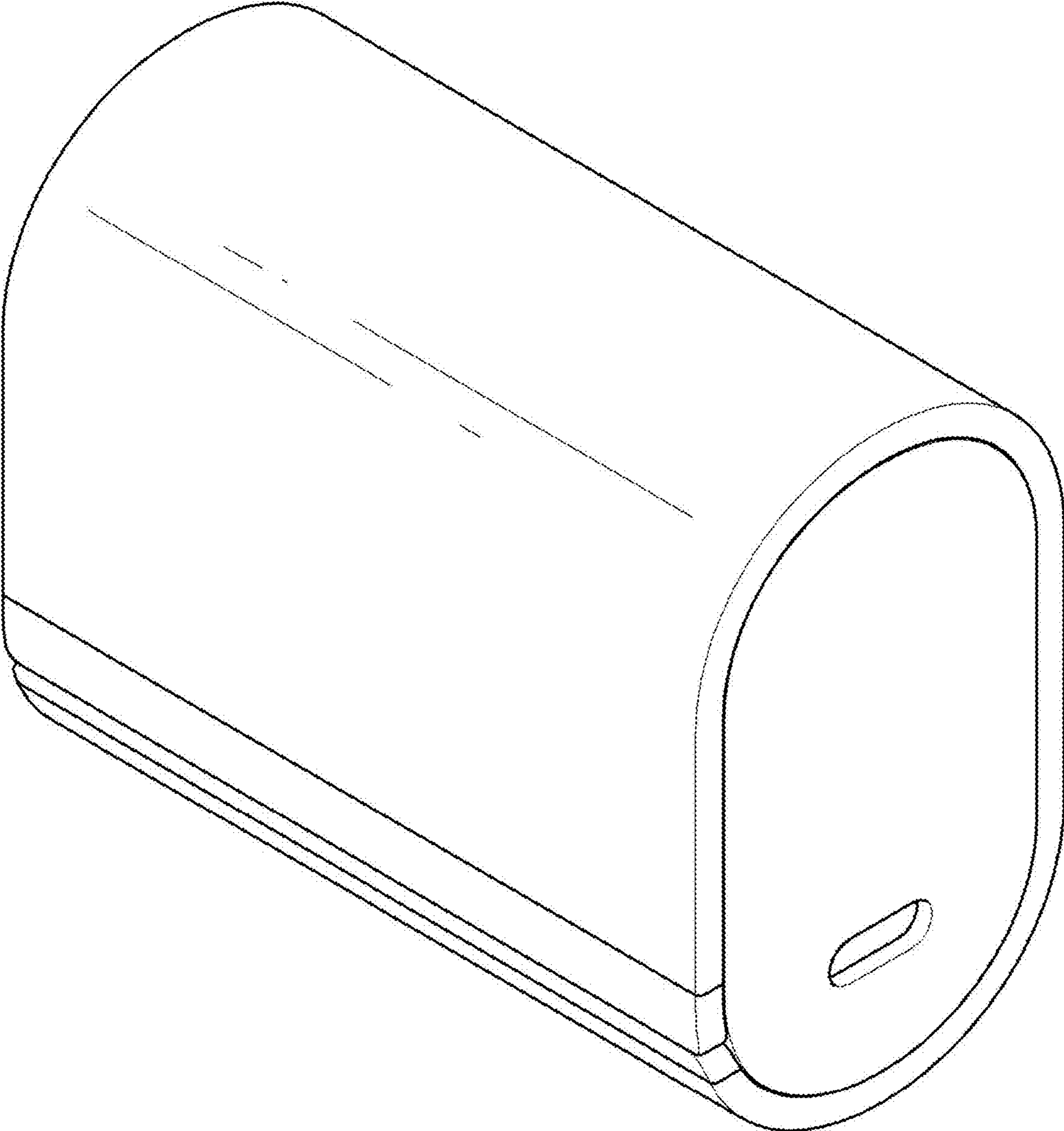
D904,763 S * 12/2020 Koneru D3/274
 D904,764 S * 12/2020 Koneru D3/294
 D906,299 S * 12/2020 Luo D14/223
 D907,009 S * 1/2021 Akana D14/223
 D910,603 S * 2/2021 Li D14/223
 D911,027 S * 2/2021 Liang D3/274
 D914,591 S * 3/2021 Ganapathy D13/107
 2008/0090622 A1 * 4/2008 Kim H04M 1/05
 455/573
 2020/0068285 A1 * 2/2020 Dang H04R 1/1016
 2020/0107098 A1 * 4/2020 DiFonzo H01F 1/147

OTHER PUBLICATIONS

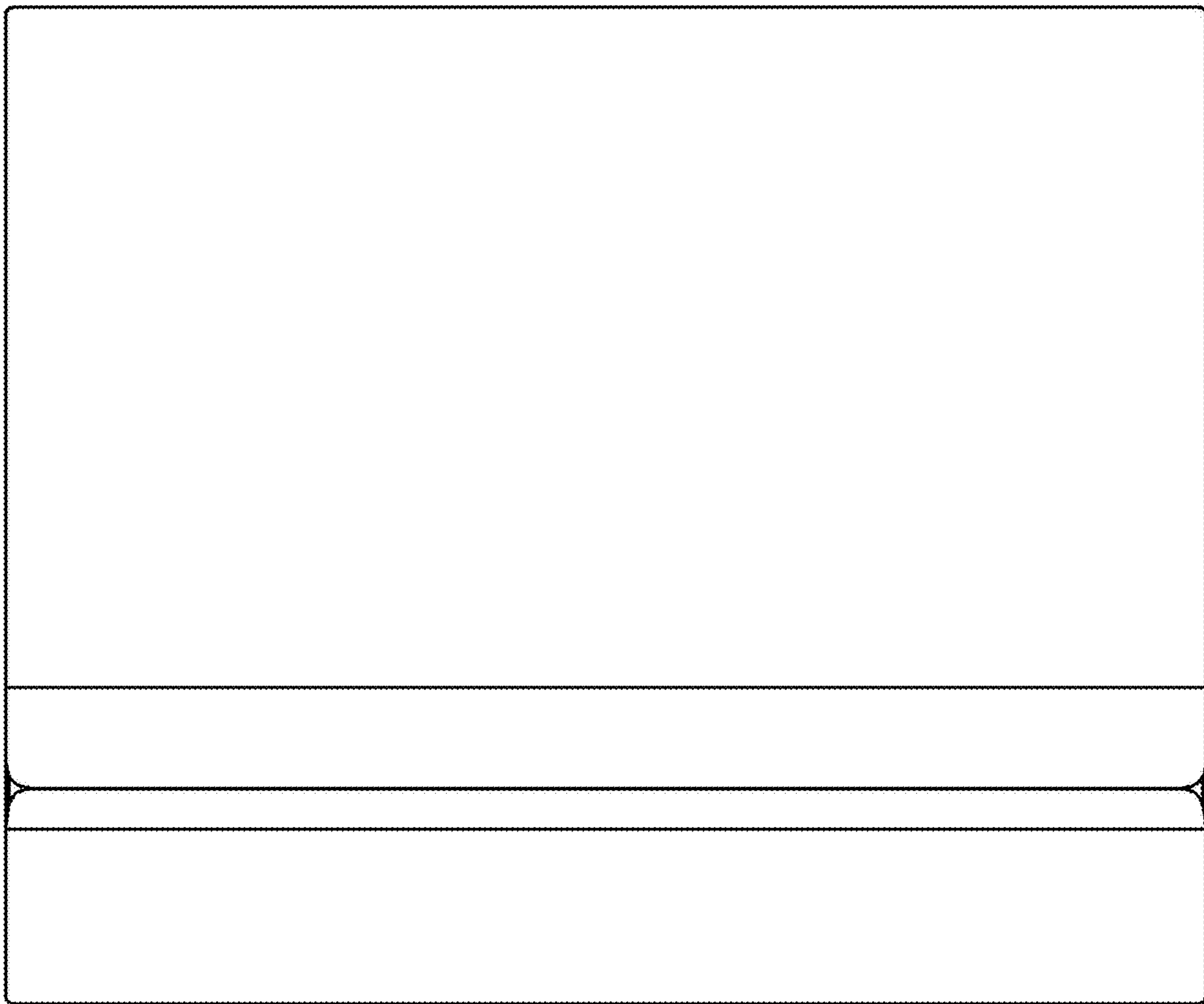
“True Wireless . . . ” reference dated Apr. 24, 2021 found by RMS on the internet at: <https://qcybluetooth.en.made-in-china.com/product/KvymgiYcXArj/China-True-Wireless-Earbuds-Mini-Bluetooth-Earphones-with-Charging-Cradle.html>.*

* cited by examiner

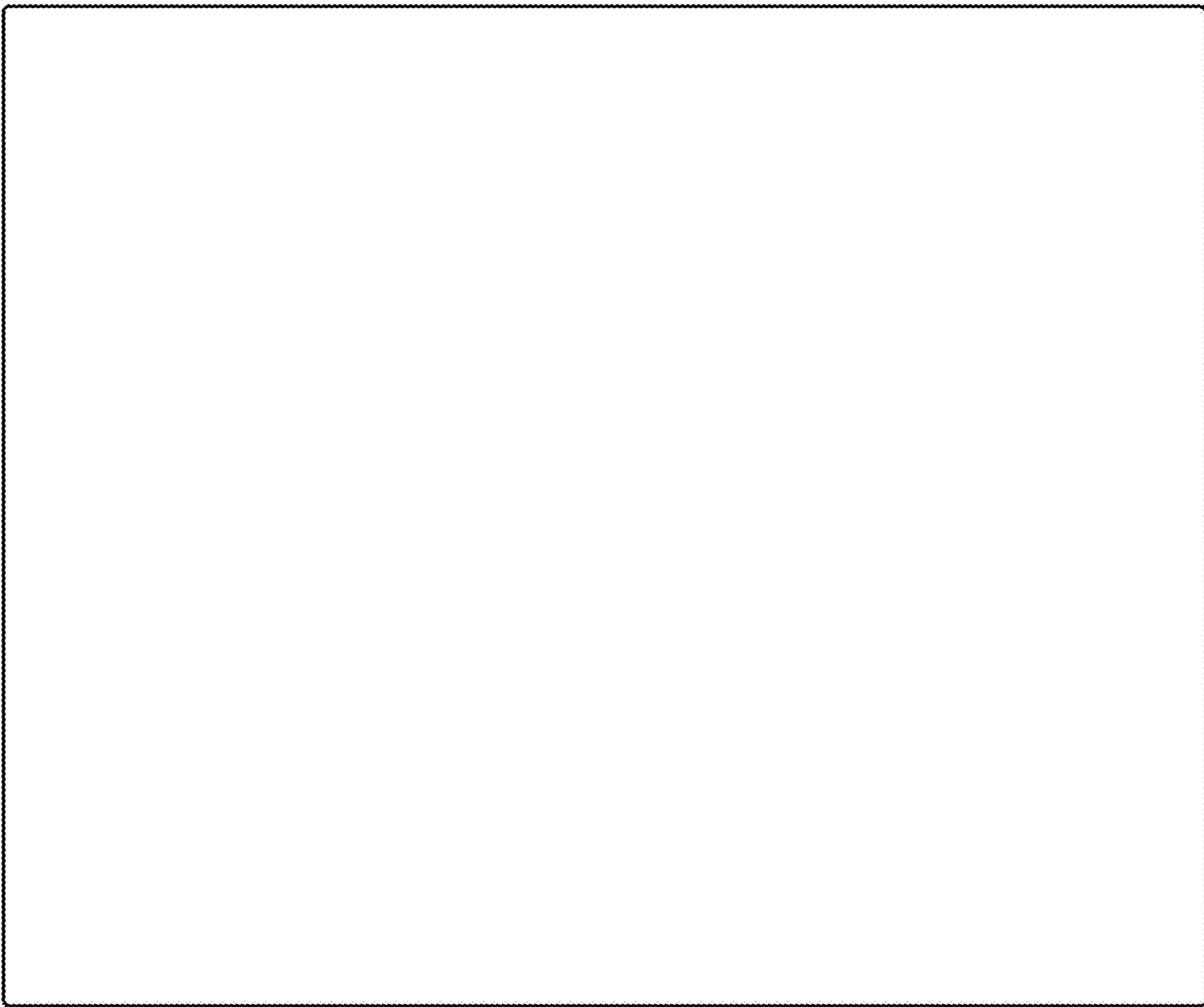
1.1



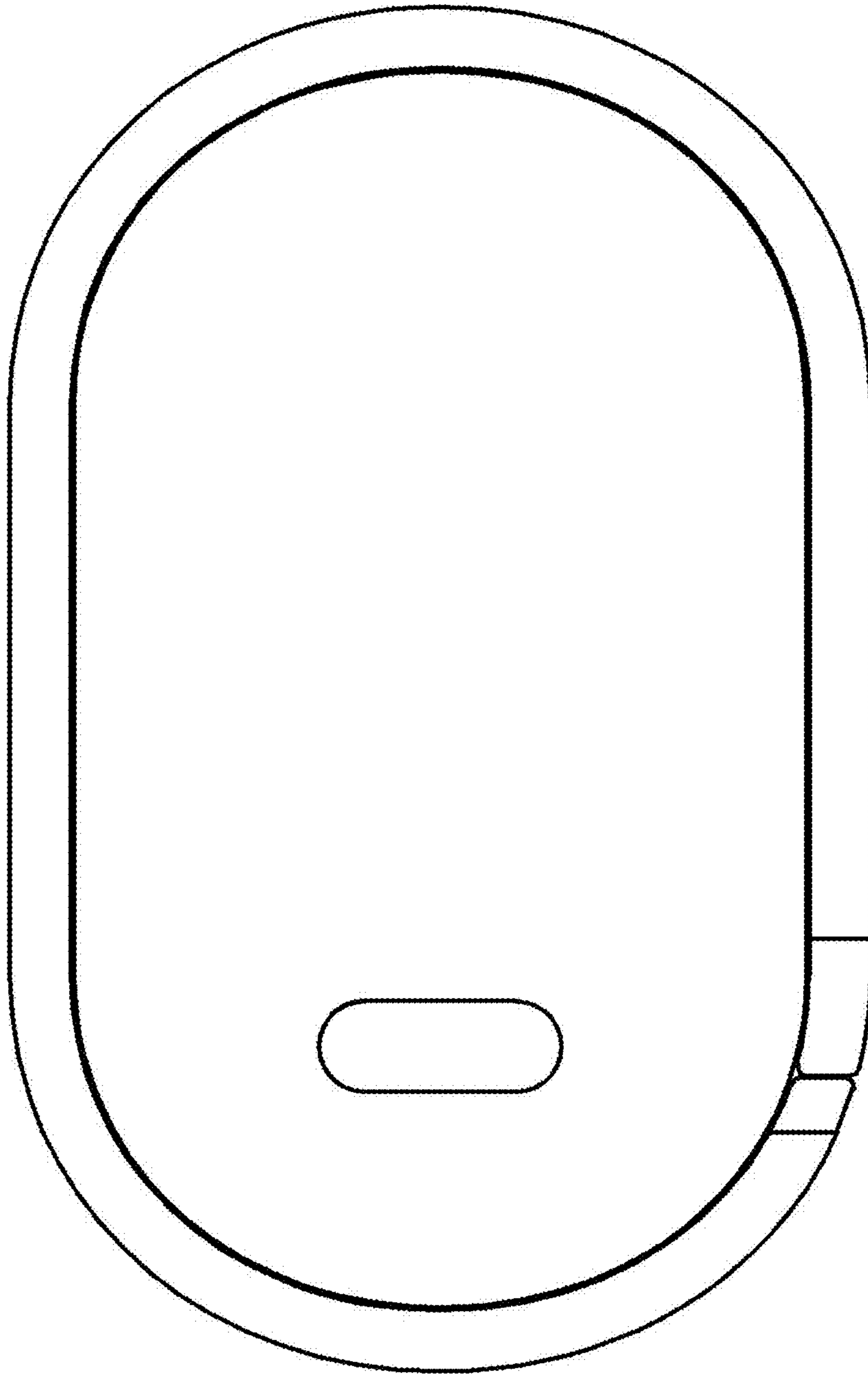
1.2



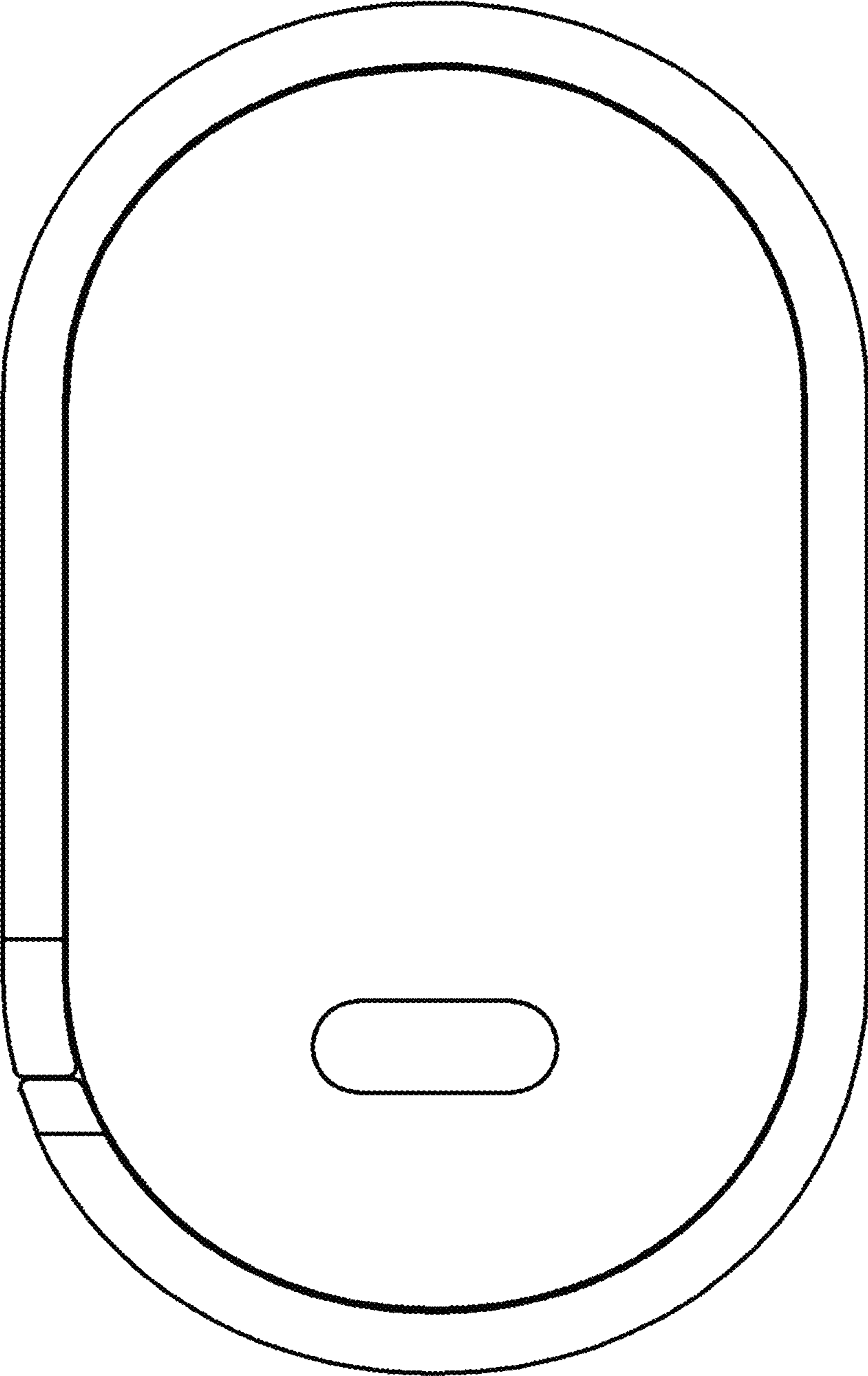
1.3



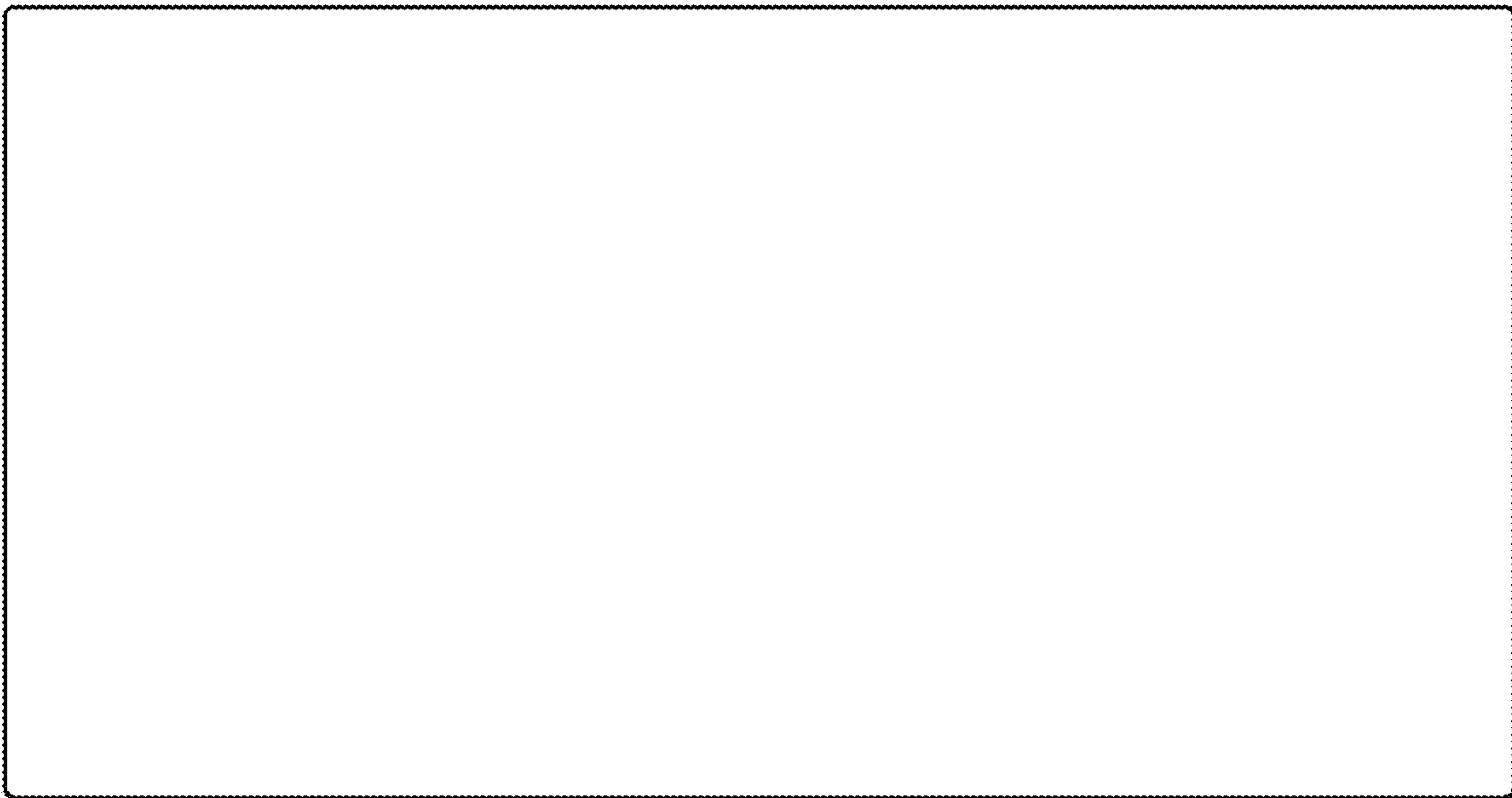
1.4



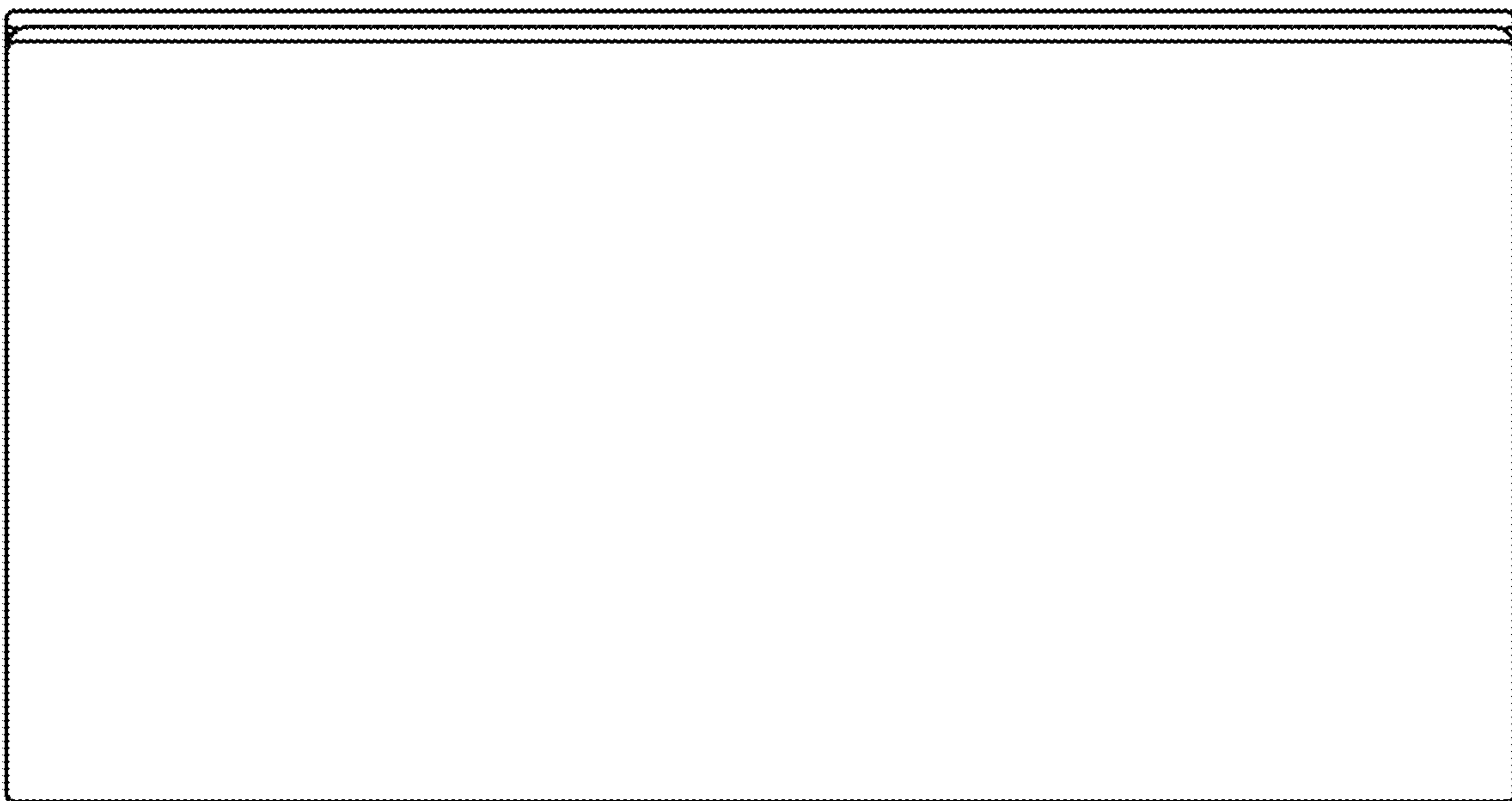
1.5



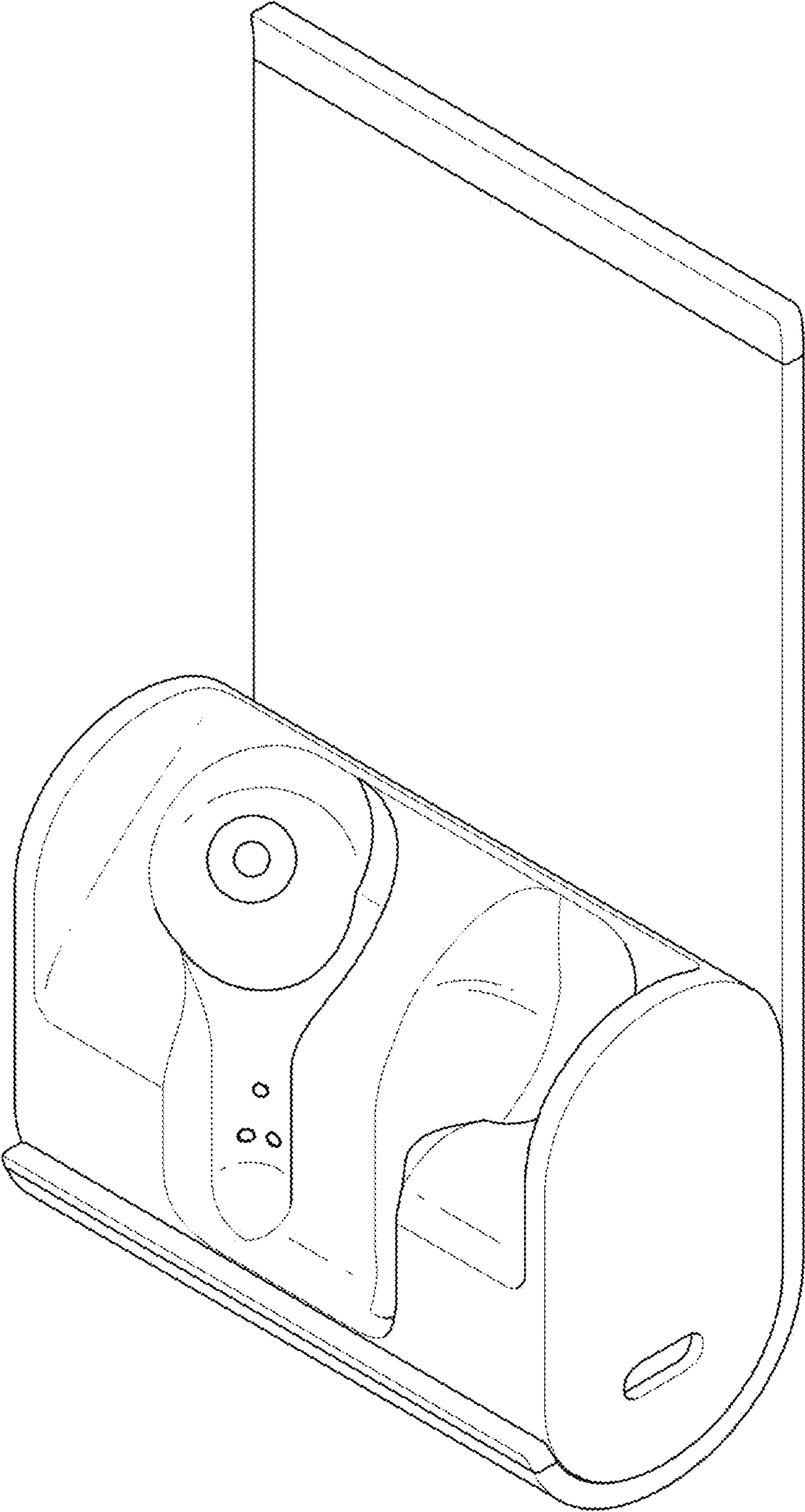
1.6



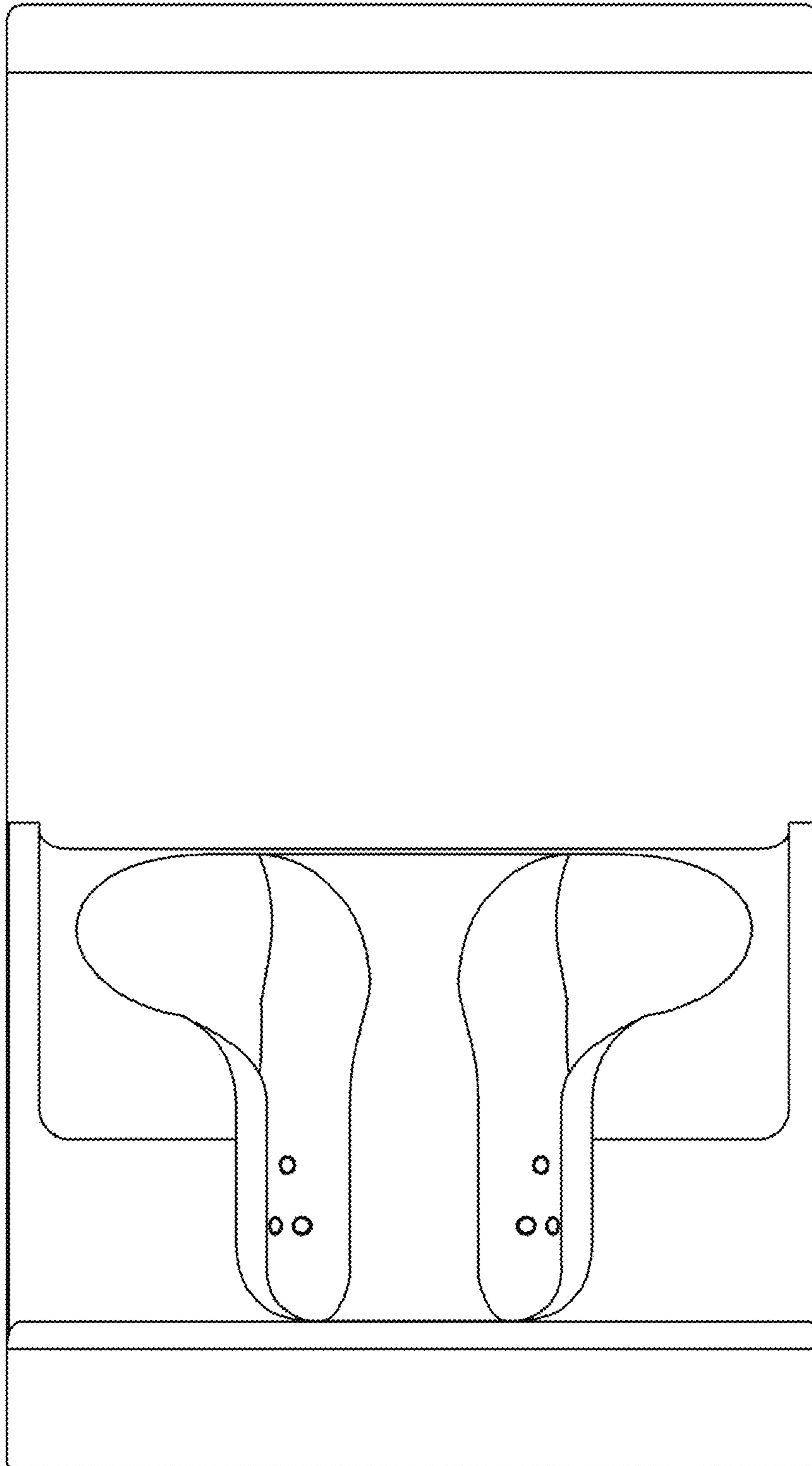
1.7



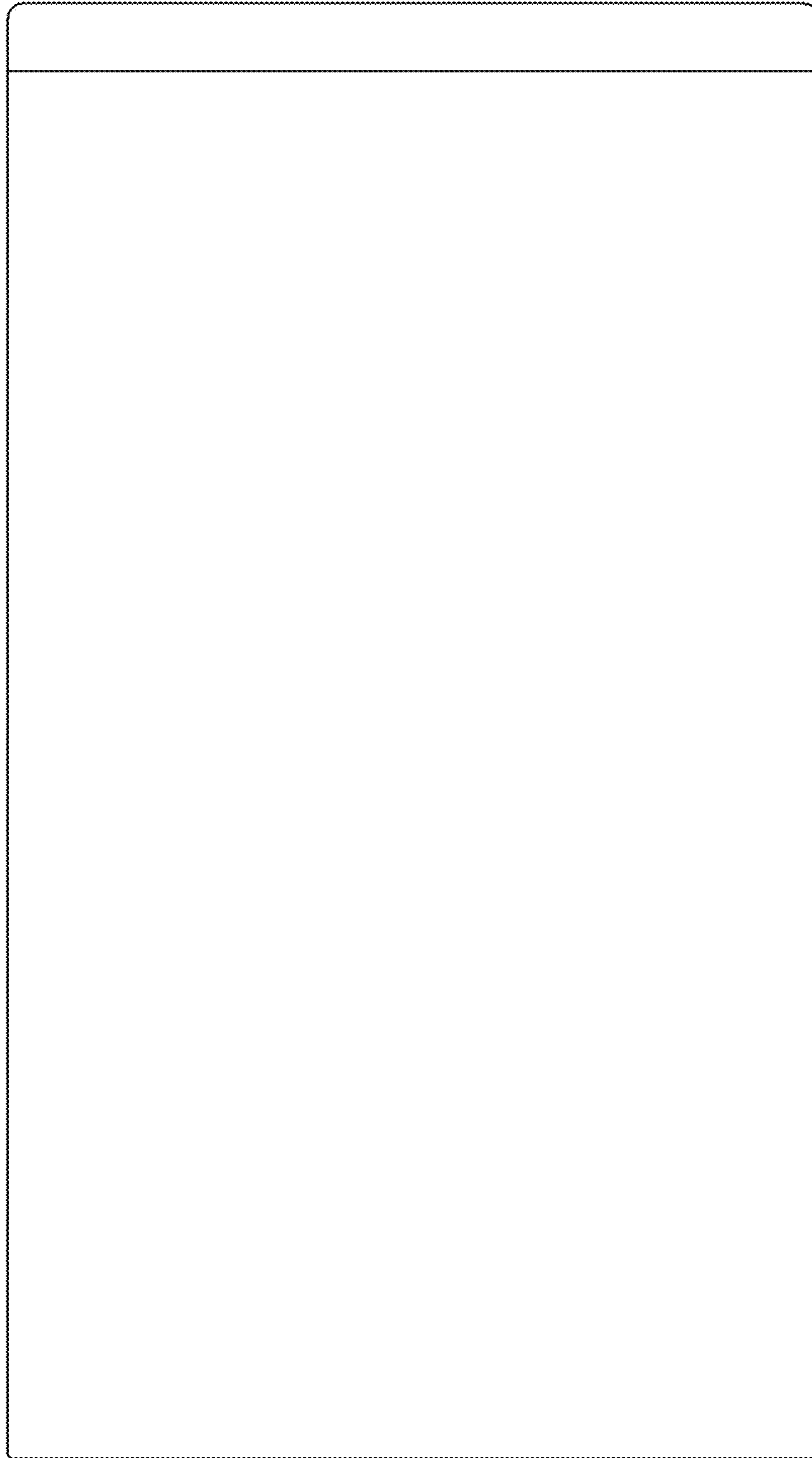
1.8



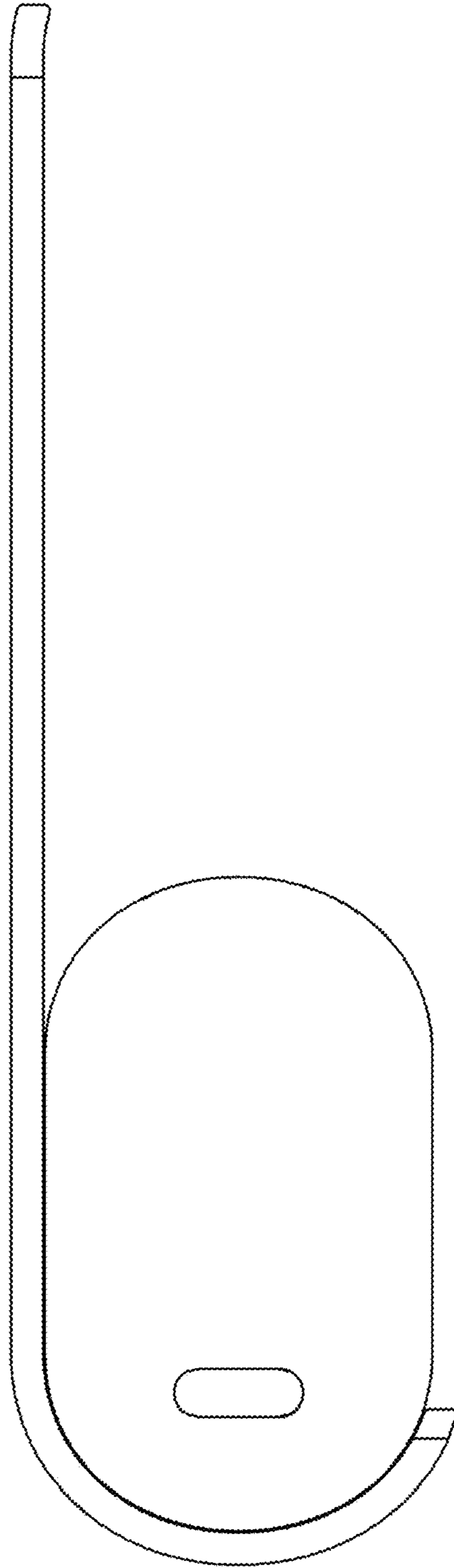
1.9



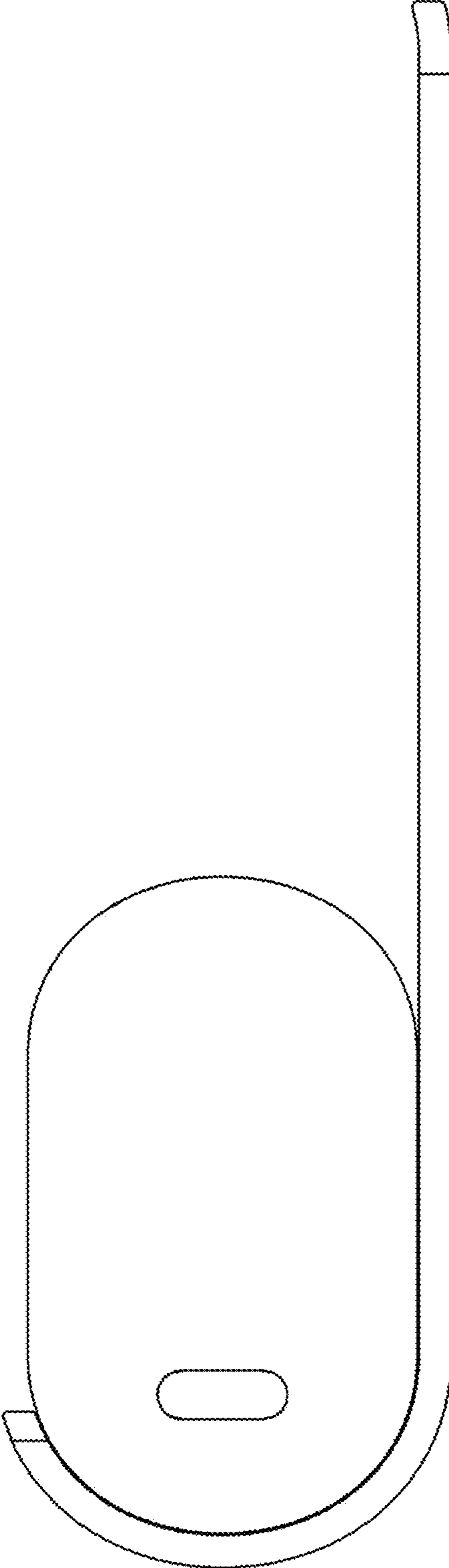
1.10



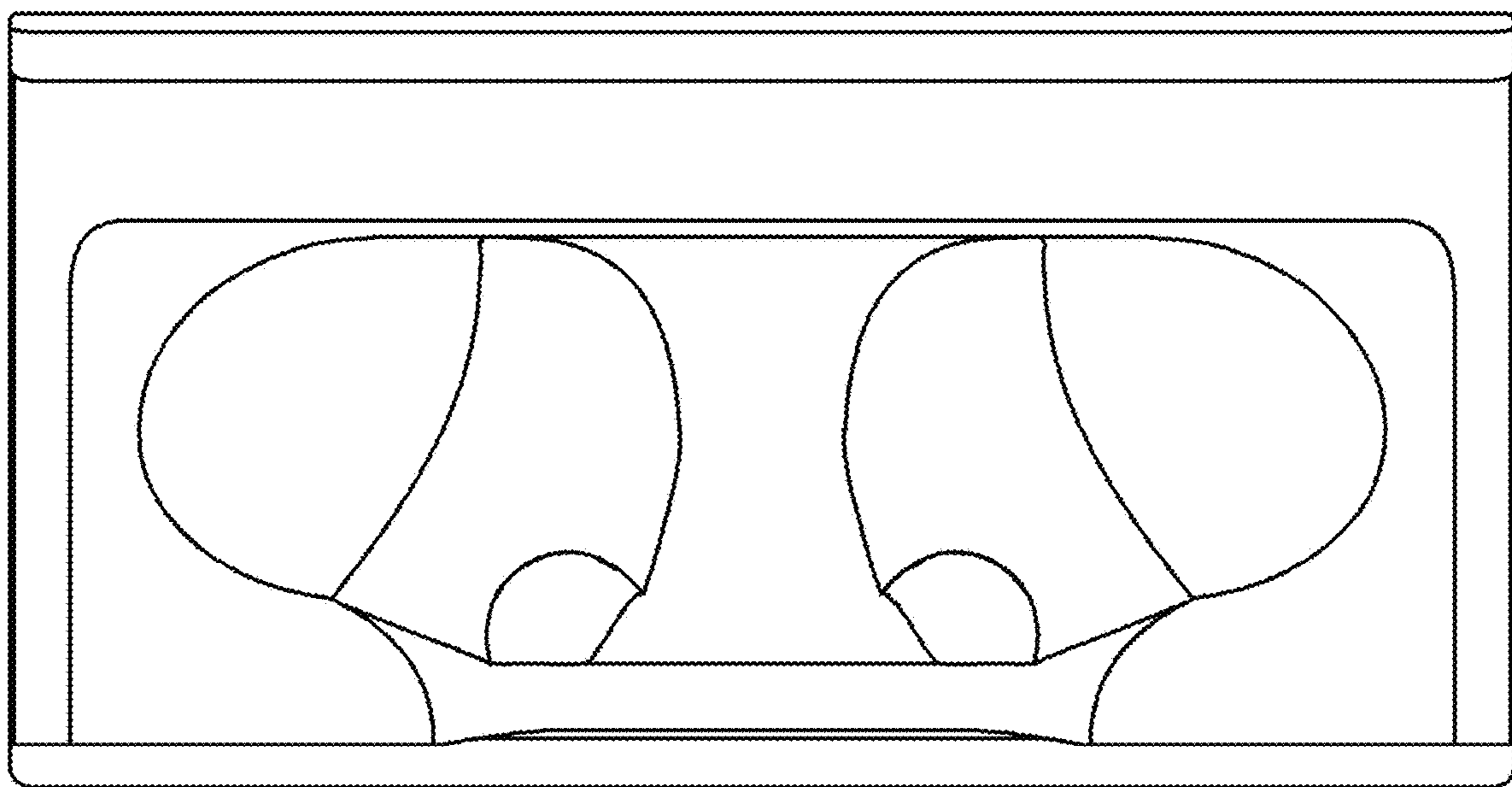
1.11



1.12



1.13



1.14

