



US00D927419S

(12) **United States Design Patent**
Junko et al.

(10) **Patent No.:** **US D927,419 S**

(45) **Date of Patent:** **** Aug. 10, 2021**

(54) **WIRELESS CHARGING DEVICE**

(71) Applicant: **Pass & Seymour, Inc.**, Syracuse, NY
(US)

(72) Inventors: **Theodore P. Junko**, Manlius, NY (US);
Richard M. Rohmer, Memphis, NY
(US)

(73) Assignee: **Pass & Seymour, Inc.**, Syracuse, NY
(US)

(**) Term: **15 Years**

(21) Appl. No.: **29/727,652**

(22) Filed: **Mar. 12, 2020**

Related U.S. Application Data

(63) Continuation of application No. 15/872,446, filed on
Jan. 16, 2018, now Pat. No. 10,951,052.

(51) **LOC (13) Cl.** **13-02**

(52) **U.S. Cl.**
USPC **D13/108; D8/350**

(58) **Field of Classification Search**
USPC D13/103, 110, 118–119, 184, 199,
D13/107–108, 139.3, 139.4; D14/251,
D14/253, 432, 434; D8/350, 353
CPC H02J 7/025; H02J 7/005; H02J 7/0026;
H02J 7/0042; H02J 7/0044; H02J 7/0045;
H02J 7/0013; H02J 7/0003; H02J 7/007;
H02J 7/0027; H02J 50/00; H02J 50/80;
H02J 50/10; H02J 50/12
See application file for complete search history.

(56) **References Cited**

U.S. PATENT DOCUMENTS

D346,949 S * 5/1994 Comerci D8/353
D405,347 S * 2/1999 Mezey D8/353

D416,908 S * 11/1999 Whisenant D13/177
D502,386 S * 3/2005 Provenzano D8/350
D549,171 S * 8/2007 Sbordon, Jr. D13/108
D564,860 S * 3/2008 Levin D8/350
D568,719 S * 5/2008 Gorin D8/353
7,812,257 B2 * 10/2010 Gunderman H02G 3/14
174/66
D688,201 S * 8/2013 Mecca D13/108
D688,202 S * 8/2013 Mecca D13/108
9,065,263 B2 * 6/2015 Porcano H02G 3/14
D888,044 S * 6/2020 Clemens 14/252
2012/0139484 A1 * 6/2012 Gunderman H02J 50/80
320/108
2014/0103179 A1 * 4/2014 Lipke H01R 13/72
248/231.91
2018/0109141 A1 * 4/2018 Makwinski H02J 50/00

* cited by examiner

Primary Examiner — Rosemary K Tarcza

(74) *Attorney, Agent, or Firm* — Frederick J. M. Price;
Bond Schoeneck & King, PLLC

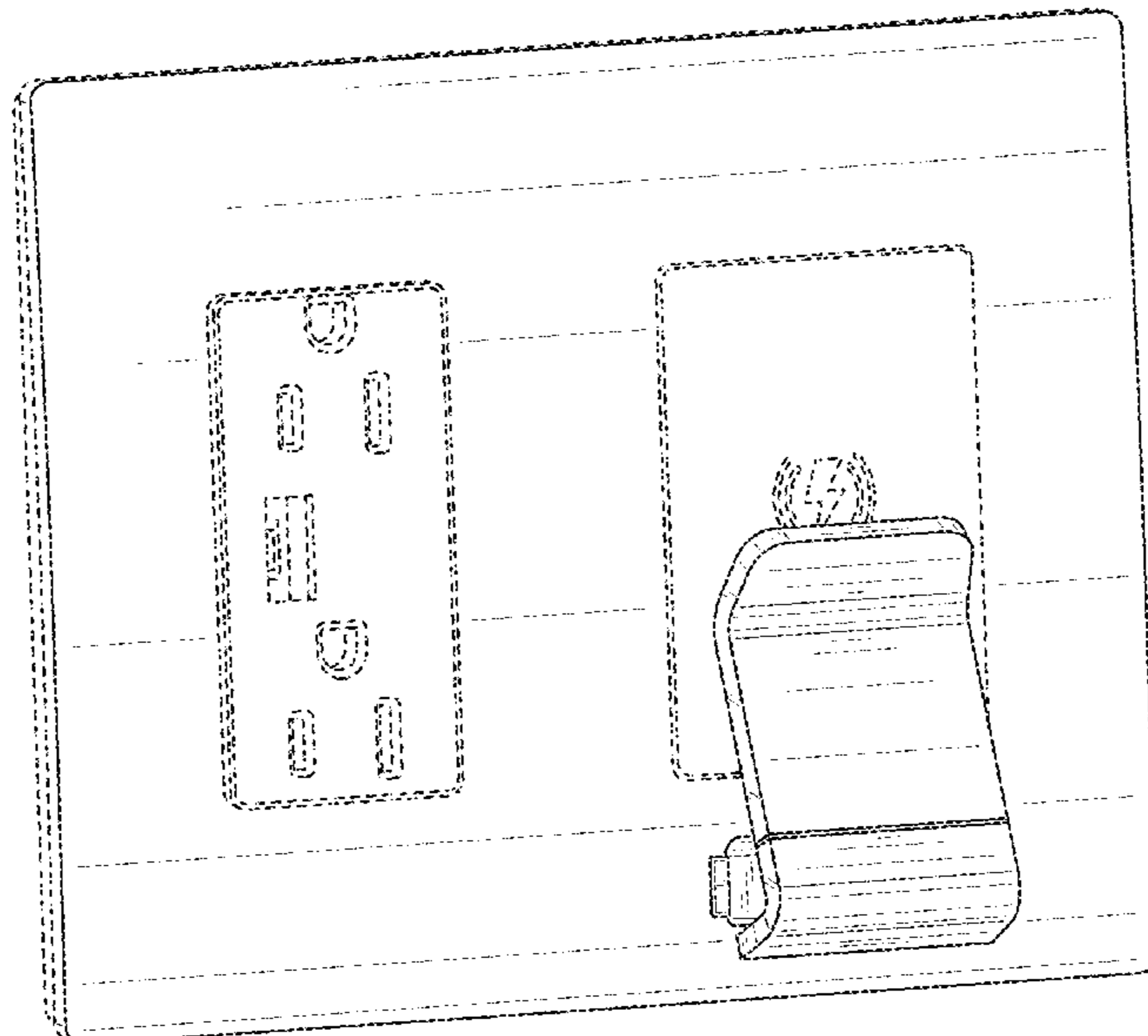
(57) **CLAIM**

The ornamental design for a wireless charging device, as
shown and described.

DESCRIPTION

FIG. 1 is a first isometric view illustrating the wireless
charging device;
FIG. 2 is a top plan view of the design depicted in FIG. 1;
FIG. 3 is a first side view of the design depicted in FIG. 1;
FIG. 4 is a second side view of the design depicted in FIG.
1;
FIG. 5 is a bottom end view of the design depicted in FIG.
1; and,
FIG. 6 is a second isometric view of the design depicted in
FIG. 1.
The broken lines shown in the drawings illustrate portions of
the wireless charging device design that form no part of the
claimed design.

1 Claim, 5 Drawing Sheets



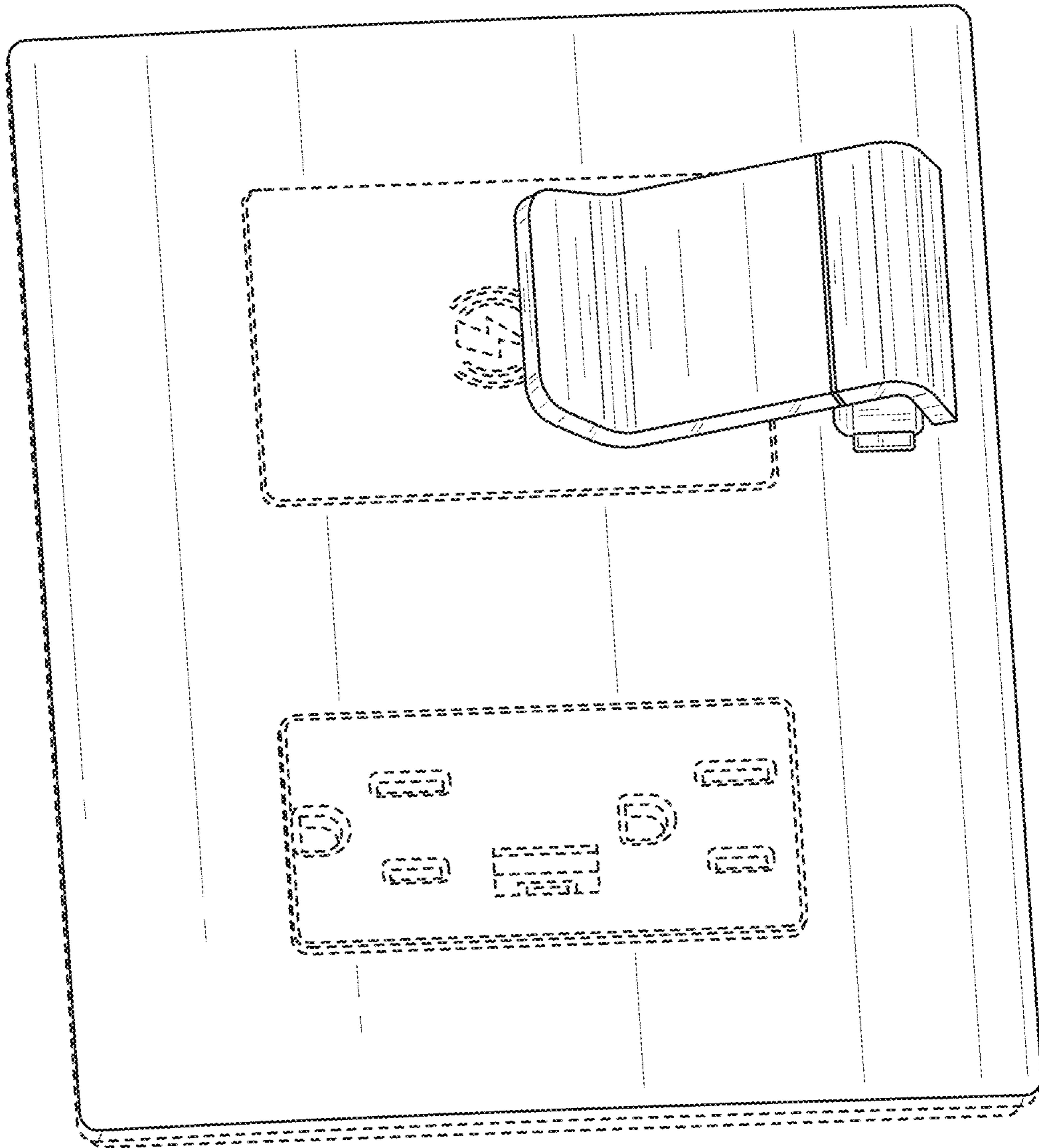


FIG. 1

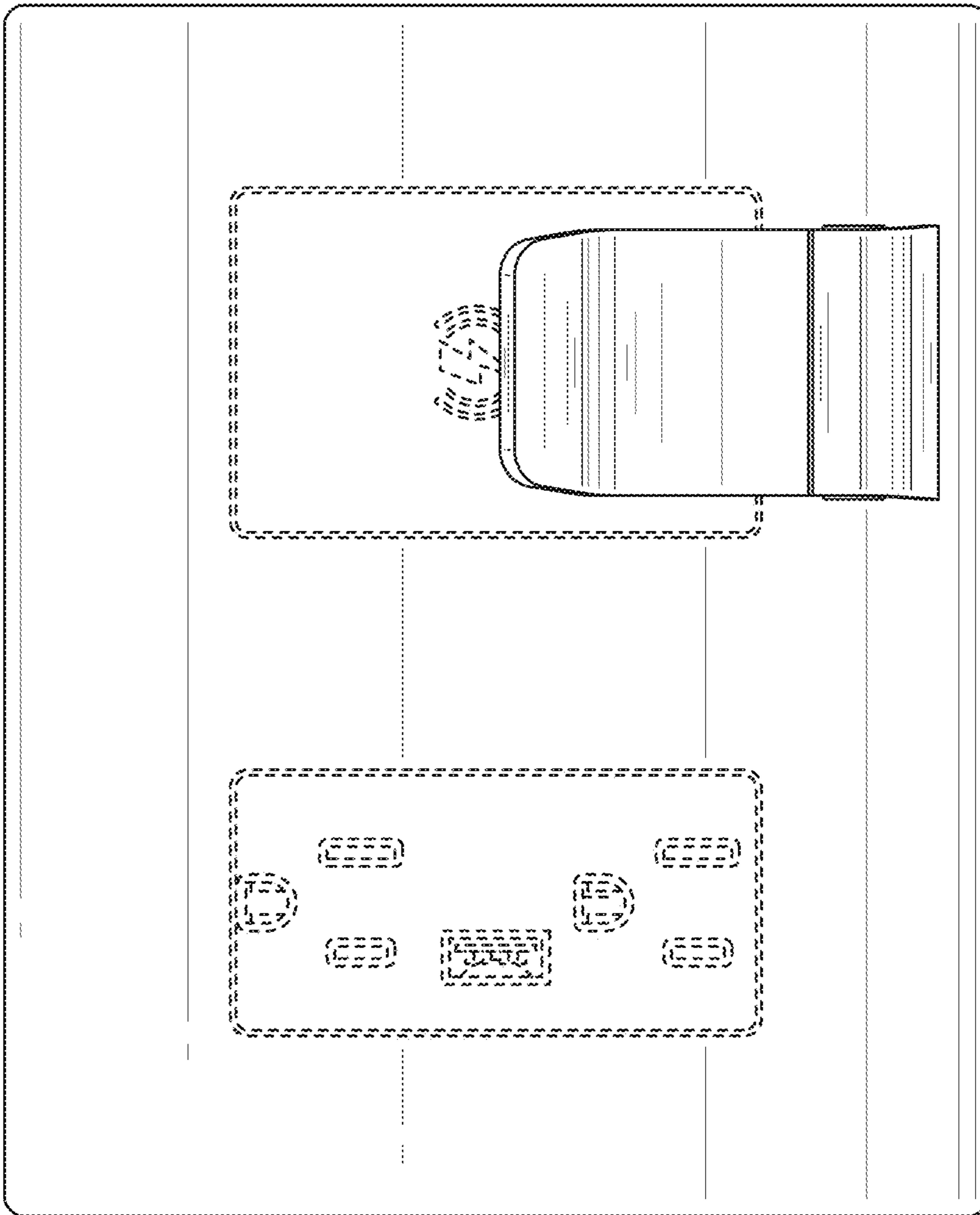


FIG. 2

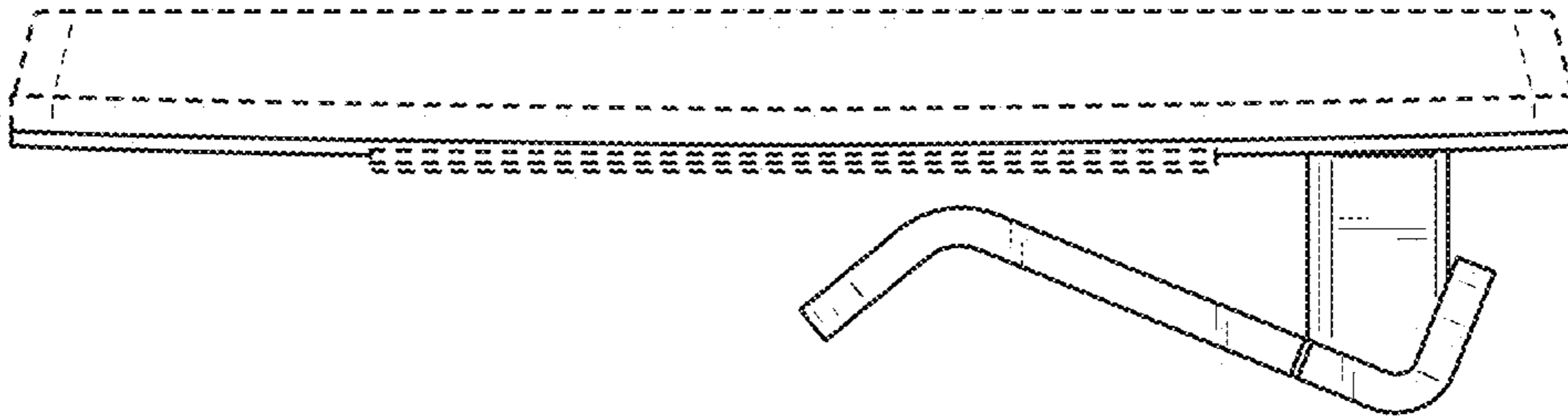


FIG. 4

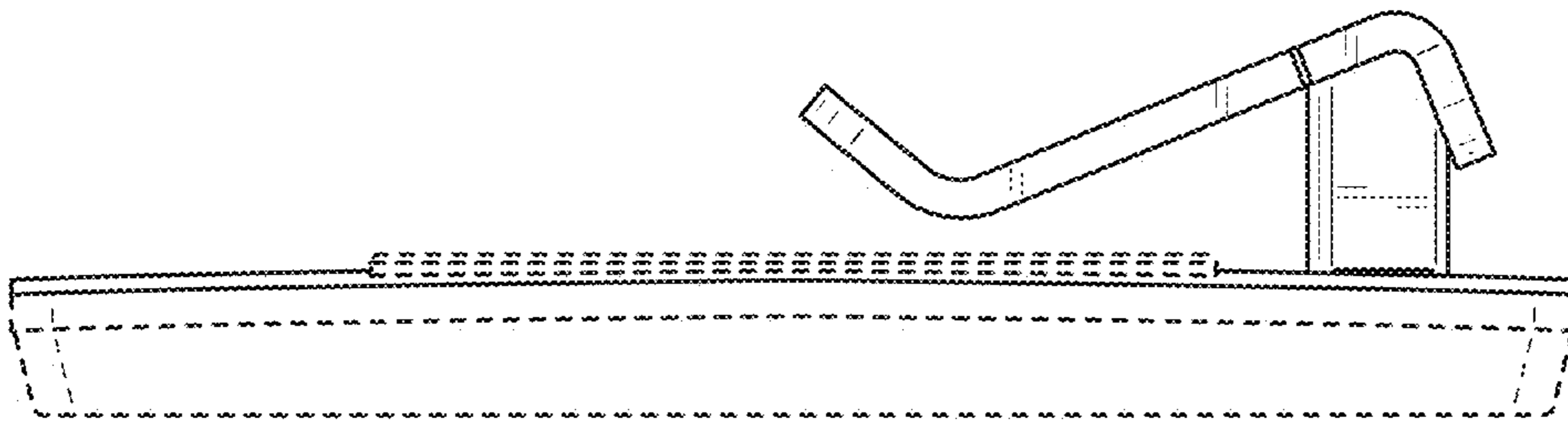


FIG. 3

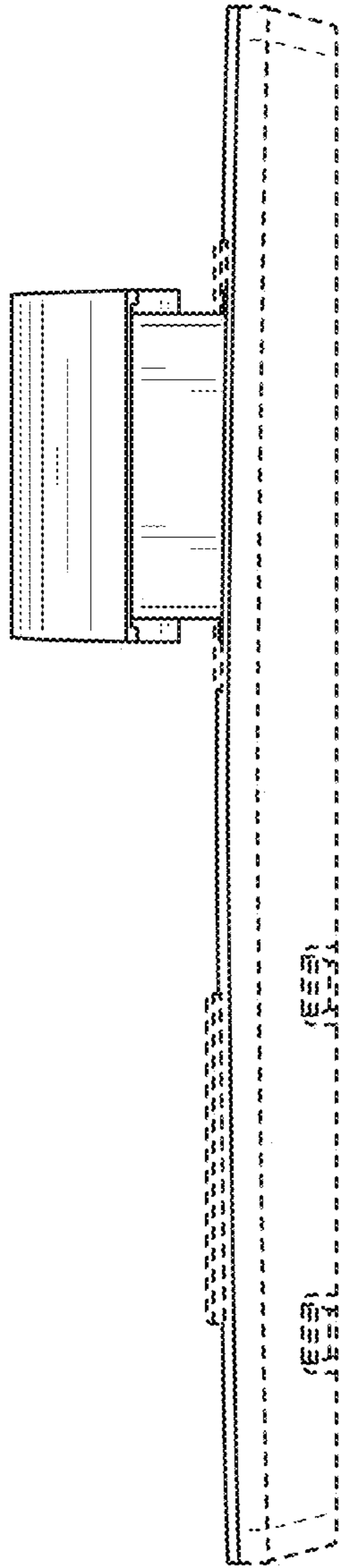


FIG. 5

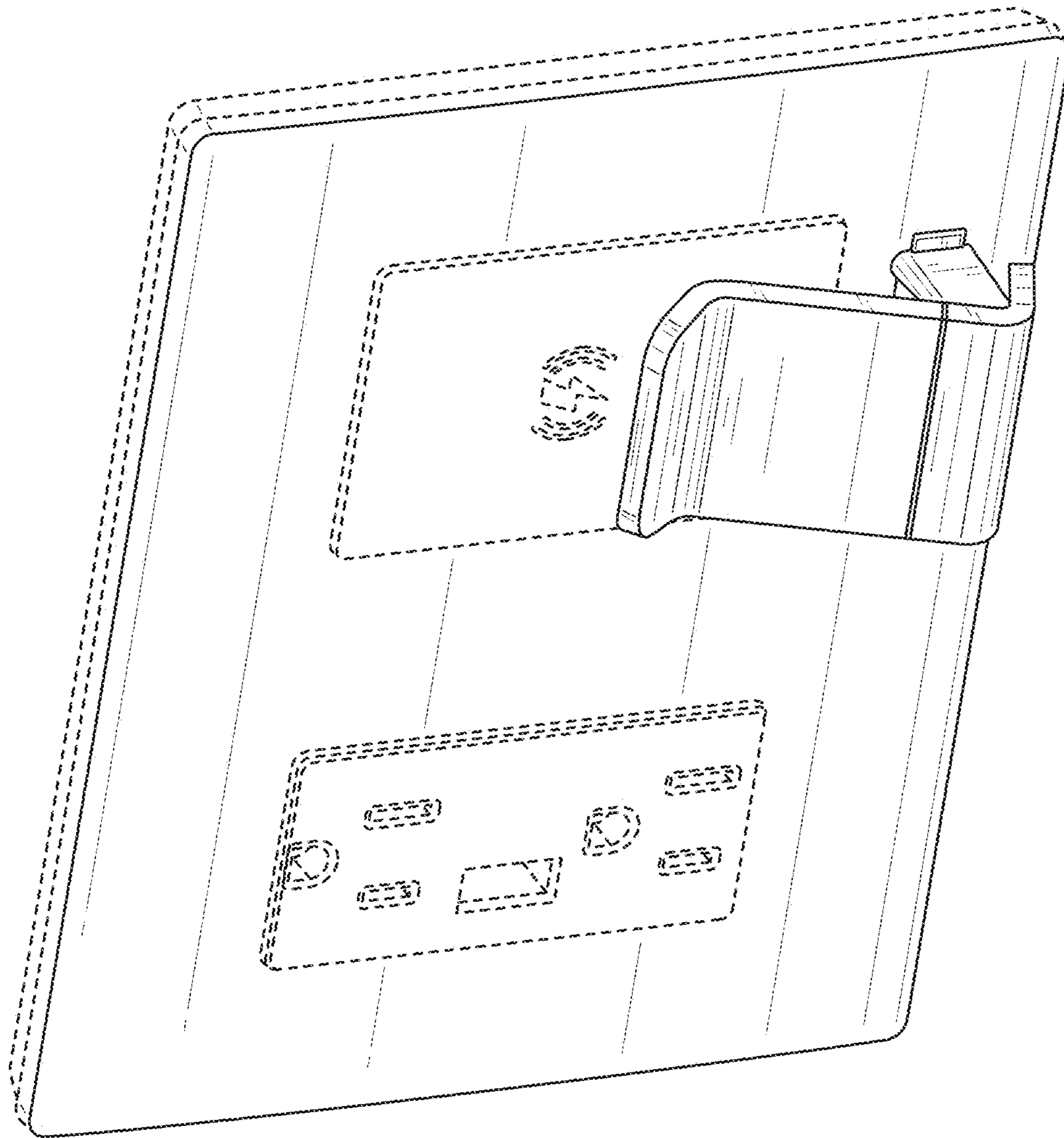


FIG. 6