



US00D927415S

(12) **United States Design Patent**
Li et al.

(10) **Patent No.:** **US D927,415 S**

(45) **Date of Patent:** **** Aug. 10, 2021**

(54) **BATTERY PACK**

(71) Applicant: **HONGJI INTELLIGENT BIKE CO., LTD**, Changzhou (CN)

(72) Inventors: **Yang Li**, Changzhou (CN); **Feng Fan**, Changzhou (CN)

(**) Term: **15 Years**

(21) Appl. No.: **29/726,528**

(22) Filed: **Mar. 4, 2020**

(51) **LOC (13) Cl.** **13-02**

(52) **U.S. Cl.**
USPC **D13/103**

(58) **Field of Classification Search**

USPC D13/102–106, 110, 118–119, 184

CPC Y02E 60/10; H01M 6/00; H01M 6/14;
H01M 6/05; H01M 6/10; H01M 10/52

See application file for complete search history.

(56) **References Cited**

U.S. PATENT DOCUMENTS

D621,860 S	*	8/2010	Fukano	D15/143
D644,172 S	*	8/2011	Kohlrausch	D13/110
D644,604 S	*	9/2011	Kohlrausch	D13/110
D695,218 S	*	12/2013	Dasbach	D13/110
D709,444 S	*	7/2014	Ibuki	D13/103

D720,694 S	*	1/2015	Dasbach	D13/110
D721,035 S	*	1/2015	Dasbach	D13/110
D722,022 S	*	2/2015	Dasbach	D13/110
D743,887 S	*	11/2015	Dasbach	D13/110
D773,389 S	*	12/2016	Miller	D13/103
D886,046 S	*	6/2020	Lim	D13/103
D896,179 S	*	9/2020	Yang	D13/119
D902,858 S	*	11/2020	Sun	D13/119

* cited by examiner

Primary Examiner — Rosemary K Tarcza

(57) **CLAIM**

The ornamental design for a battery pack, as shown and described.

DESCRIPTION

FIG. 1 is a first perspective view of a battery pack showing my new design;

FIG. 2 is a second perspective view thereof;

FIG. 3 is a front view thereof;

FIG. 4 is a back view thereof;

FIG. 5 is a left side view thereof;

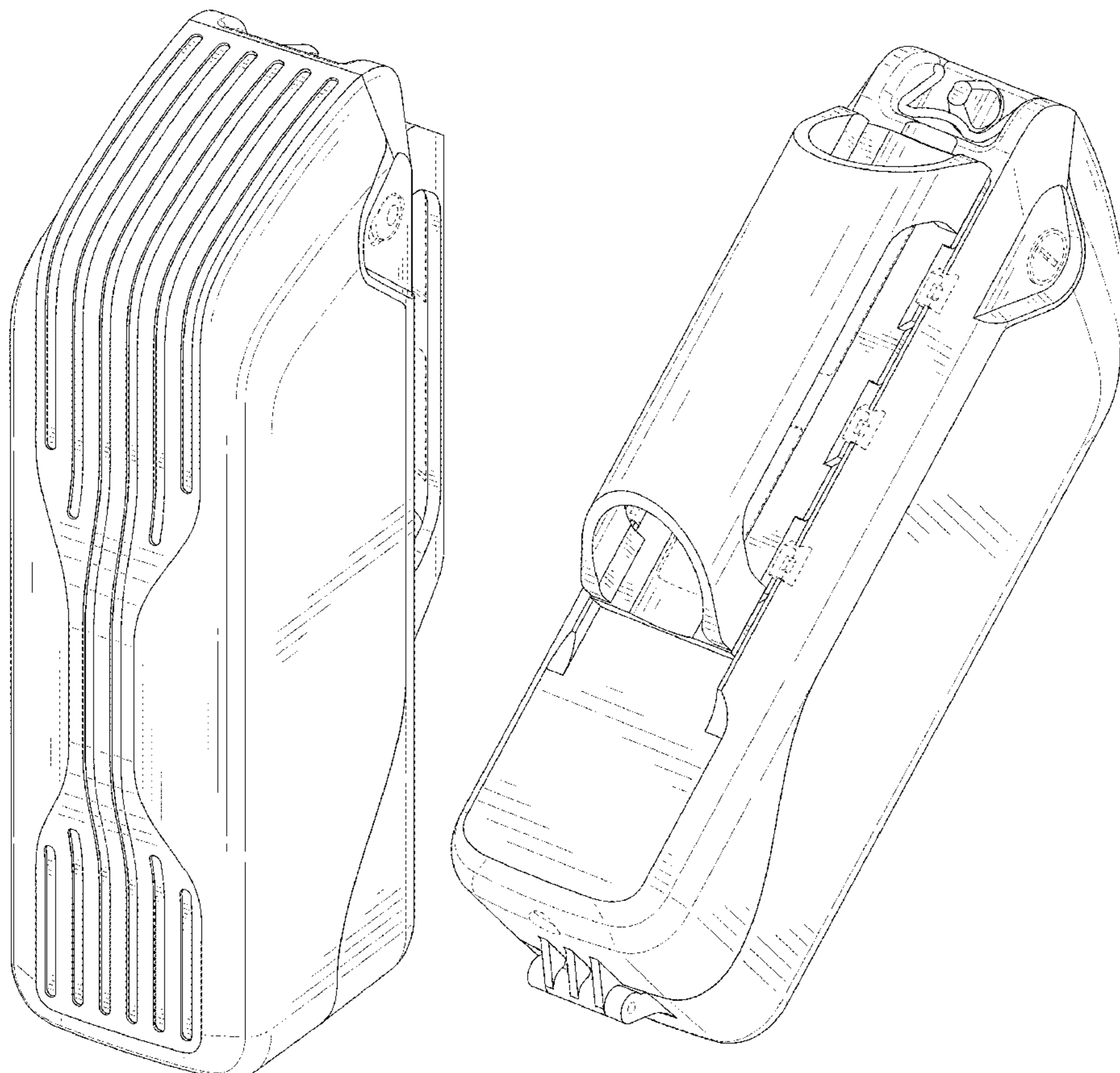
FIG. 6 is a right side view thereof;

FIG. 7 is a top view thereof; and,

FIG. 8 is a bottom view thereof.

The broken lines shown in the drawings depict portions of the battery pack in which the design is embodied that form no part of the claimed design.

1 Claim, 8 Drawing Sheets



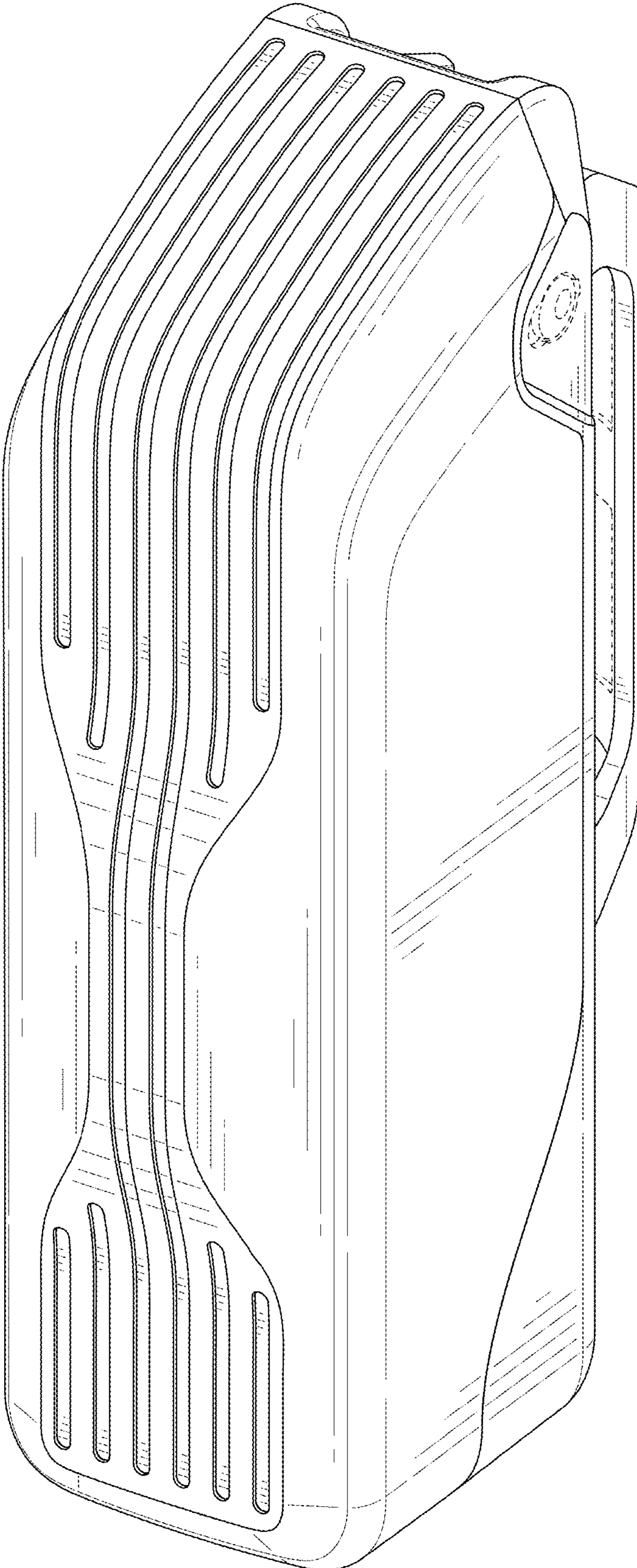


FIG. 1

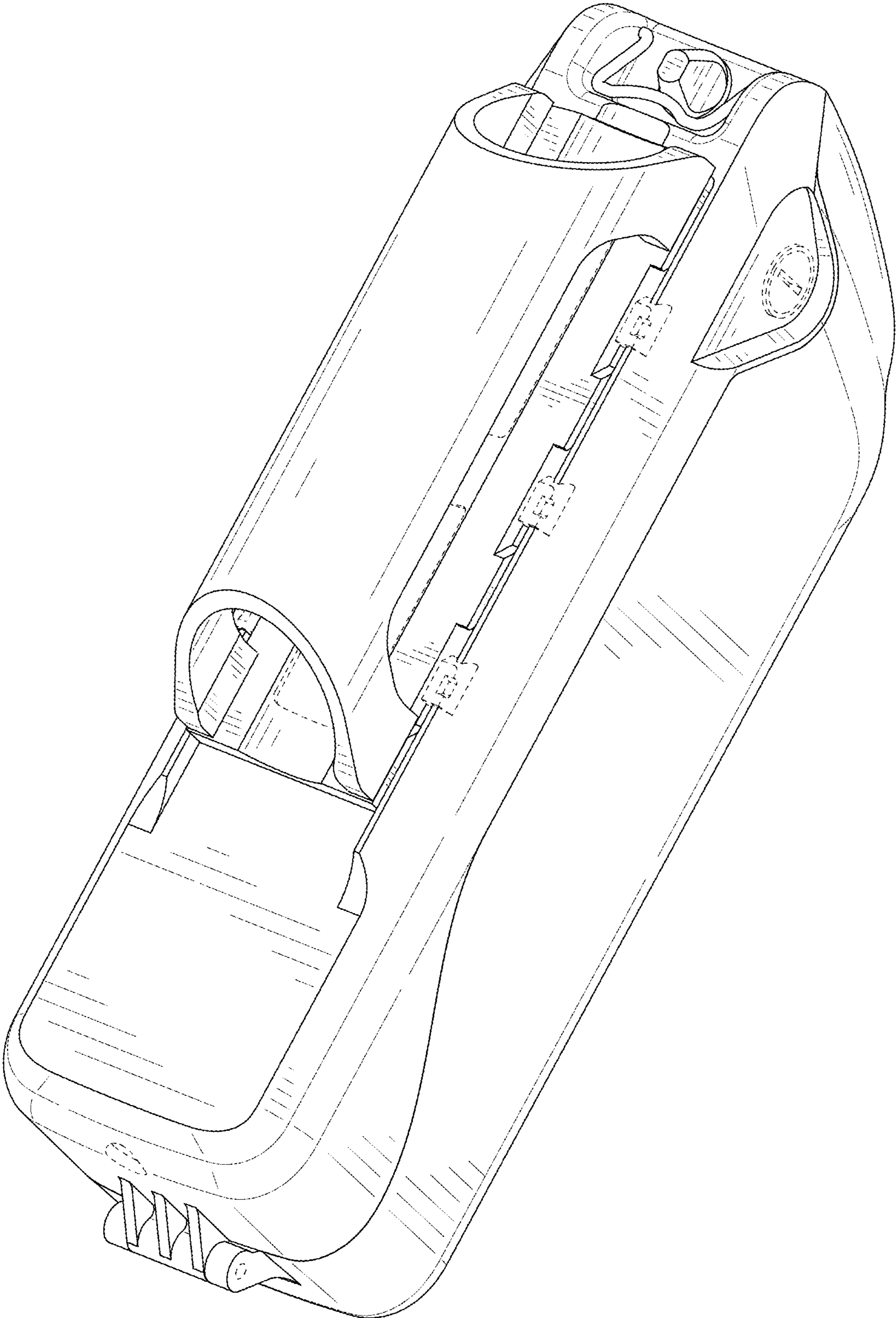


FIG. 2

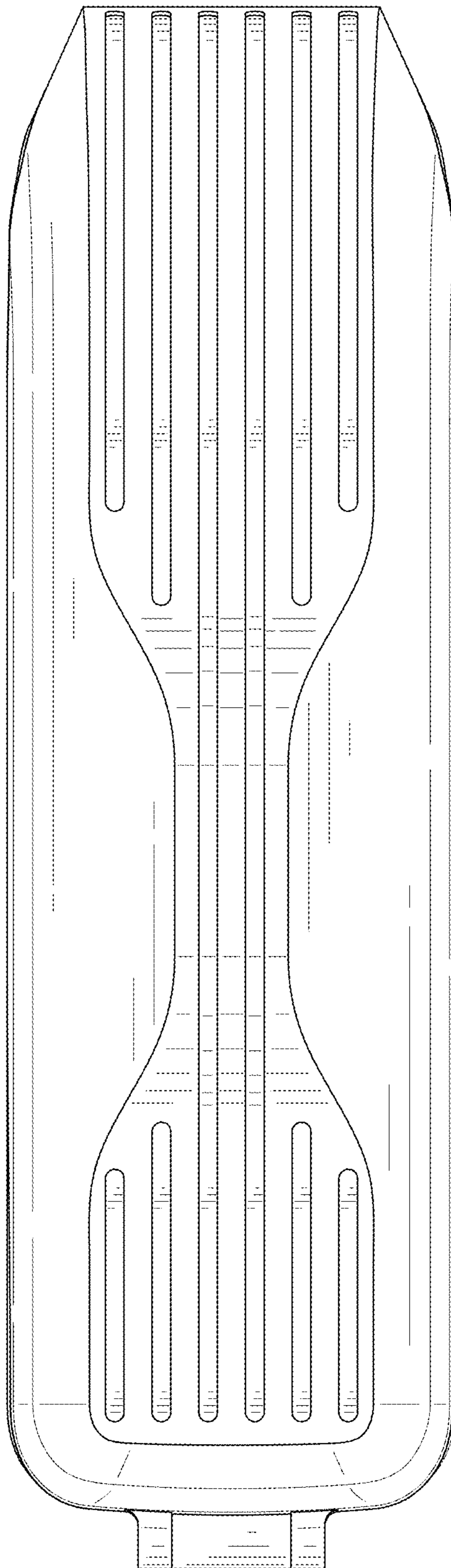


FIG. 3

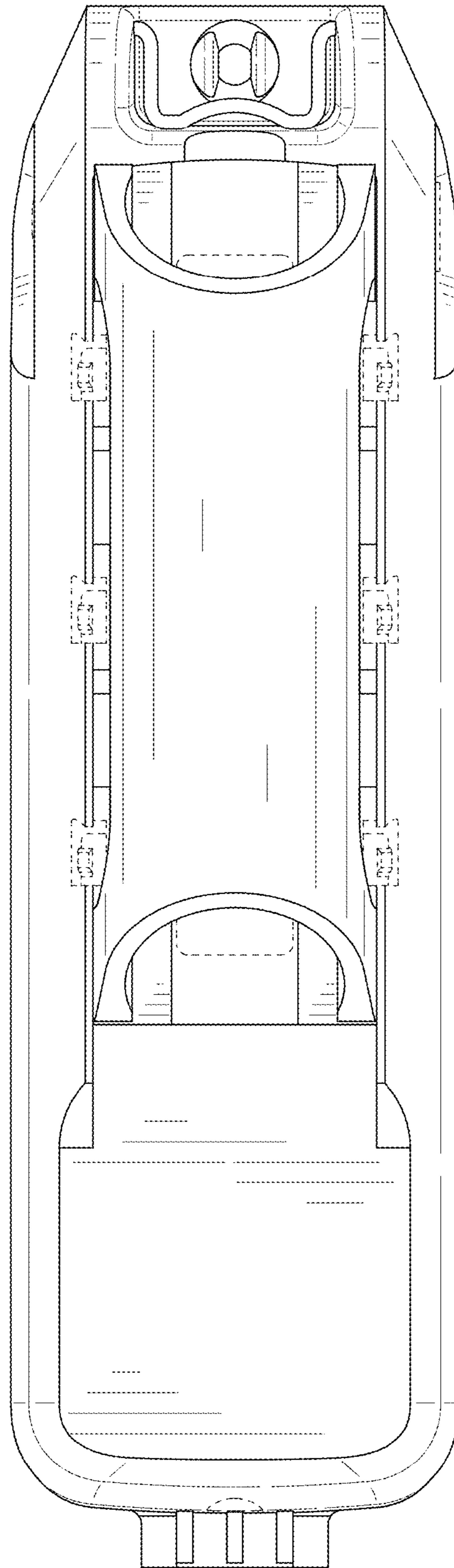


FIG. 4

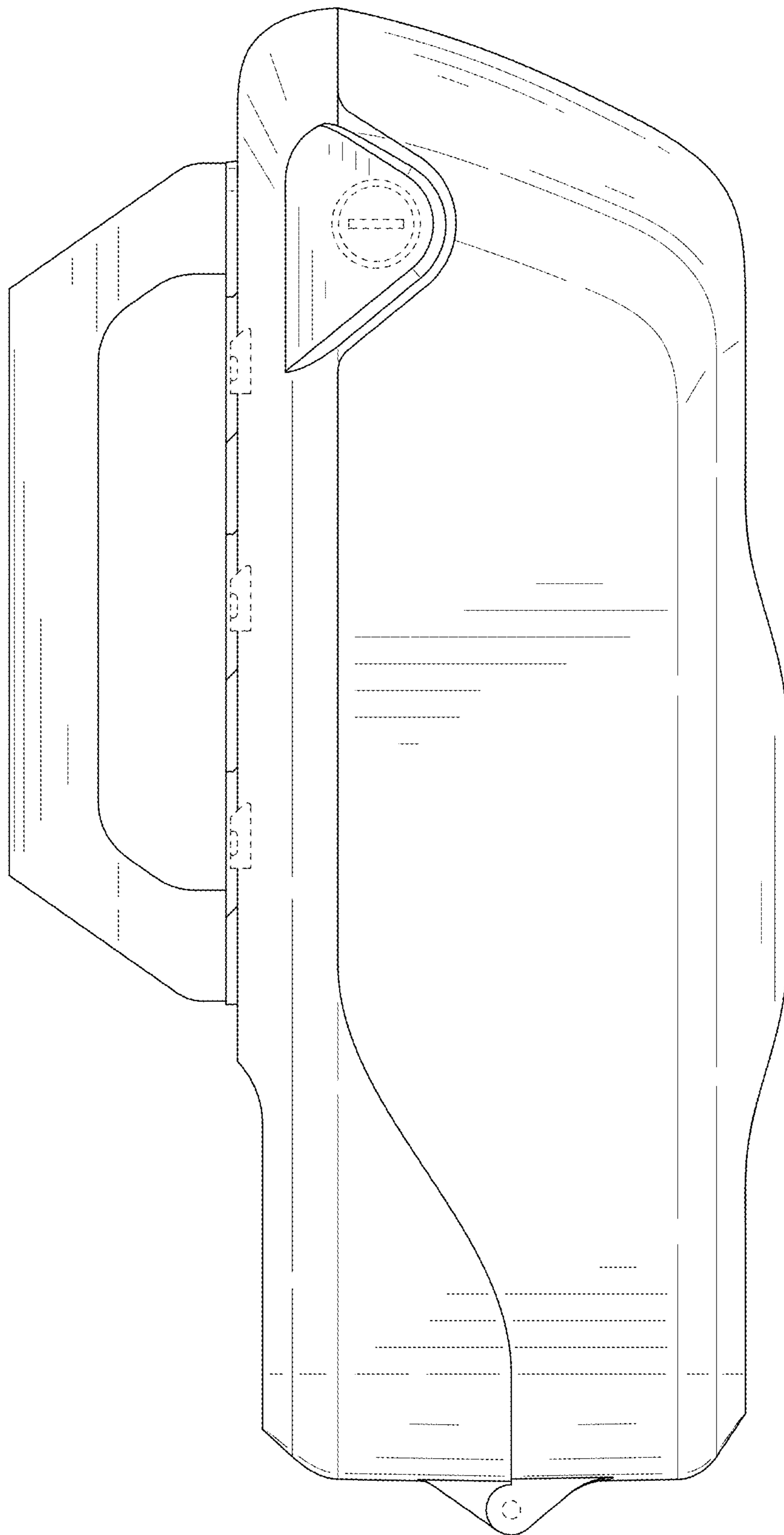


FIG. 5

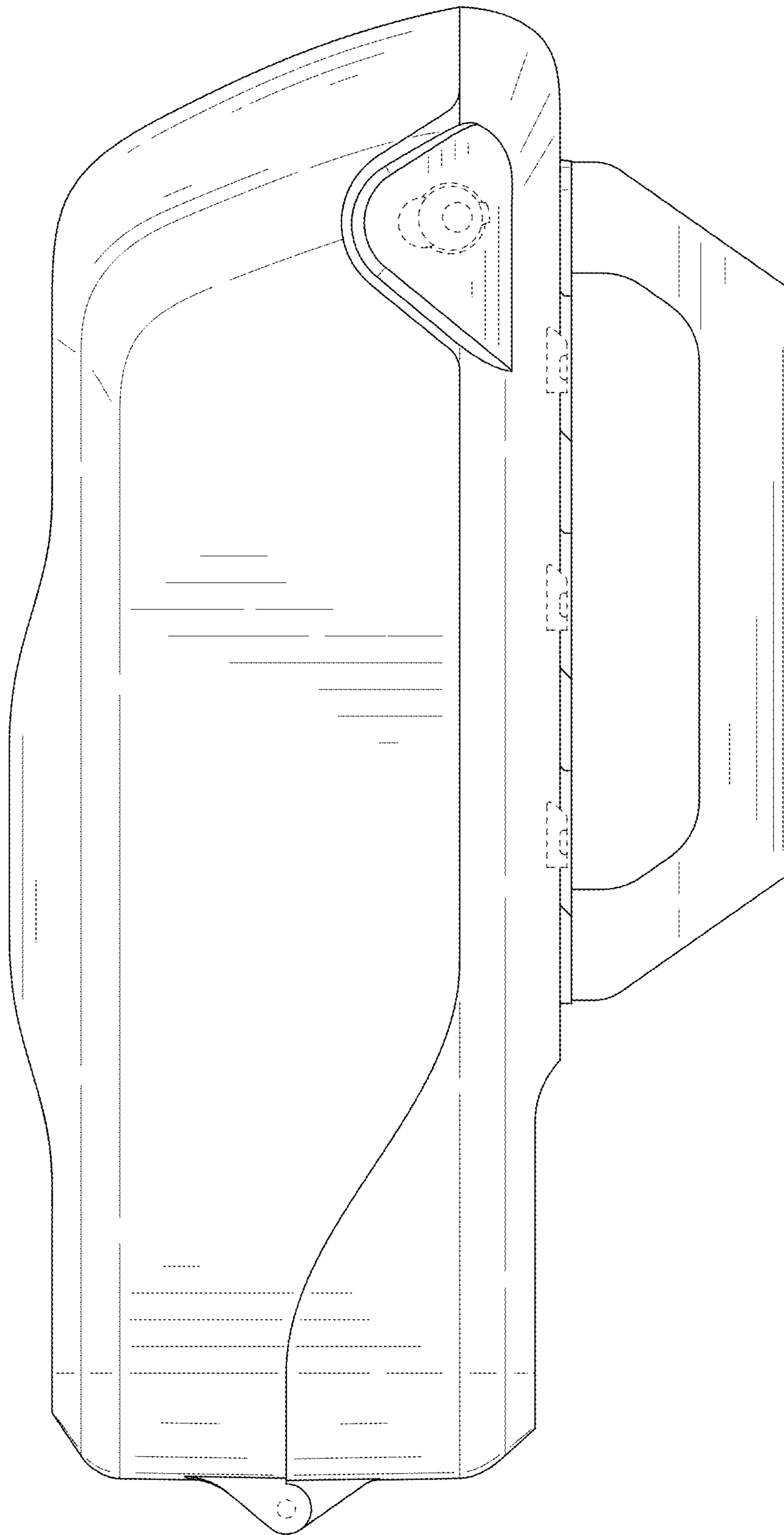


FIG. 6

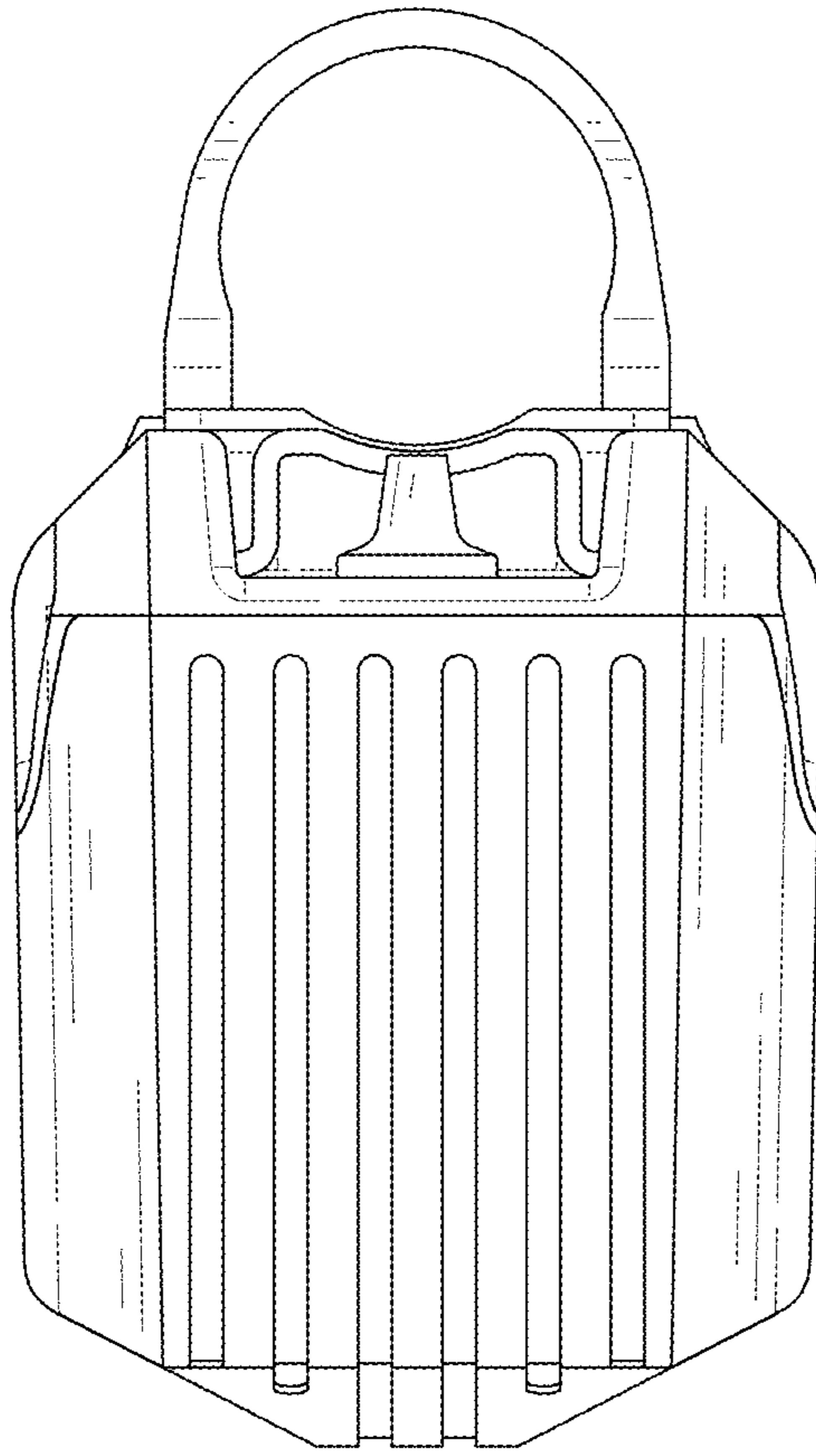


FIG. 7

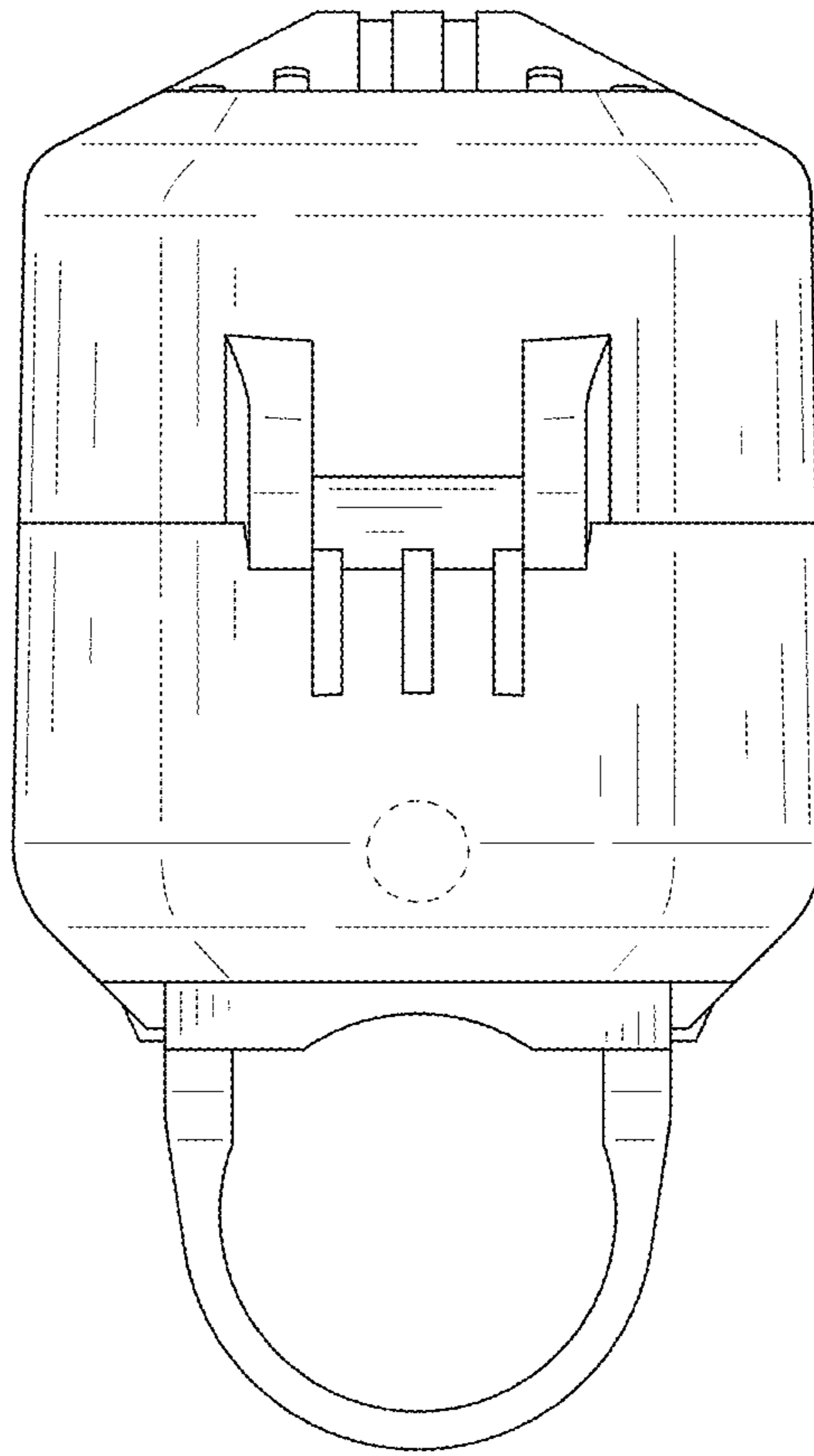


FIG. 8