



US00D927408S

(12) **United States Design Patent**
Hayashi et al.

(10) **Patent No.:** **US D927,408 S**
(45) **Date of Patent:** **** Aug. 10, 2021**

(54) **TIRE TREAD**

(71) Applicant: **BRIDGESTONE CORPORATION**,
Tokyo (JP)

(72) Inventors: **Shintaro Hayashi**, Tokyo (JP); **Kohei Sahashi**, Tokyo (JP)

(73) Assignee: **BRIDGESTONE CORPORATION**,
Tokyo (JP)

(**) Term: **15 Years**

(21) Appl. No.: **29/722,199**

(22) Filed: **Jan. 27, 2020**

(30) **Foreign Application Priority Data**

Sep. 20, 2019 (JP) 2019-021130

(51) **LOC (13) Cl.** **12-15**

(52) **U.S. Cl.**
USPC **D12/517**

(58) **Field of Classification Search**
USPC D12/500-532, 604
CPC Y10T 152/10027; B60C 1/0016; B60C
11/0306; B60C 11/0302; B60C 3/06;
B60C 9/17
See application file for complete search history.

(56) **References Cited**

U.S. PATENT DOCUMENTS

D476,946 S * 7/2003 Lee D12/524
D547,716 S * 7/2007 Ochi D12/518
D570,766 S * 6/2008 Kiwaki D12/519
D571,283 S * 6/2008 Neidert D12/524

(Continued)

FOREIGN PATENT DOCUMENTS

CN 301308857 S 8/2010
JP 1334474 S 1/2009

(Continued)

OTHER PUBLICATIONS

HJ2303120700, Website URL: <http://toyotires.jp/cm/topics110823.html>, (Toyo Tire Corporation), Sep. 30, 2011, [database online], [retrieved on Sep. 22, 2011], Retrieved from the Known Design Database of the Japan Patent Office using Internet, URL: <https://www.j-platpat.inpit.go.jp/d0200>.

(Continued)

Primary Examiner — John A Voytek

(74) *Attorney, Agent, or Firm* — Kenja IP Law PC

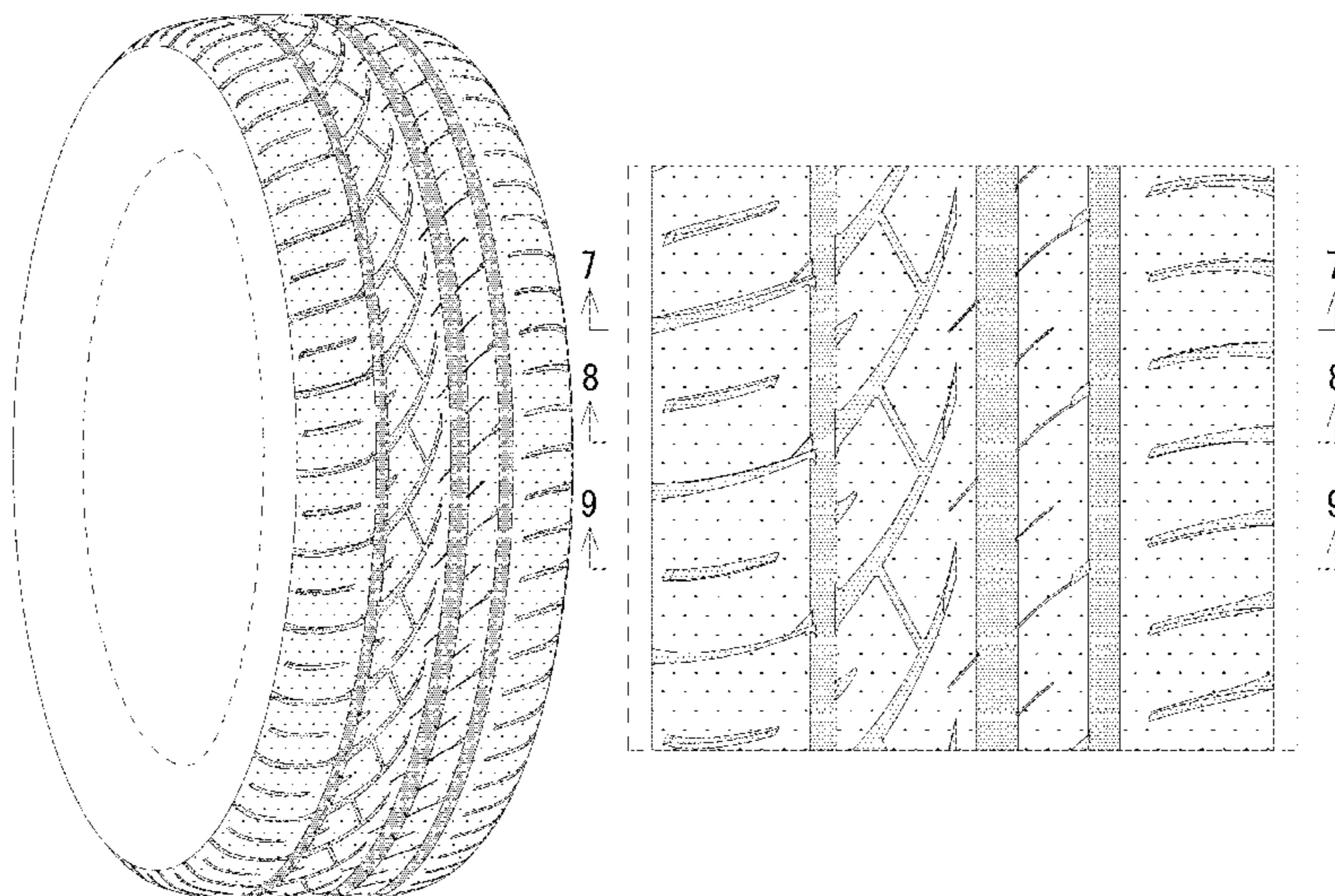
(57) **CLAIM**

The ornamental design for a tire tread, as shown and described.

DESCRIPTION

FIG. 1 is a perspective view of a tire tread showing our new design;
FIG. 2 is a front view thereof;
FIG. 3 is a top view thereof;
FIG. 4 is a right side view thereof;
FIG. 5 is a left side view thereof;
FIG. 6 is a fragmentary enlarged front view thereof;
FIG. 7 is an end view taken along line 7-7 in FIG. 6 thereof;
FIG. 8 is an end view taken along line 8-8 in FIG. 6 thereof;
and,
FIG. 9 is an end view taken along line 9-9 in FIG. 6 thereof.
Broken lines shown in the drawings are intended to show portions of the tire that are not being claimed, and thus illustrative purpose only and form no part of the claimed design. The light stippled surface shading represents the surface of the tire tread, and the dark stippled surface shading represents the recessed portion of the tread grooves, having the depth as shown in FIGS. 7-9.

1 Claim, 9 Drawing Sheets



(56)

References Cited

U.S. PATENT DOCUMENTS

D586,725	S	2/2009	Fontaine et al.	
D635,503	S *	4/2011	Nakamura	D12/524
D639,721	S *	6/2011	Berryman	D12/532
D640,182	S	6/2011	Kiwaki	
D700,879	S *	3/2014	Harris	D12/528
D702,179	S *	4/2014	Kiwaki	D12/517
D789,872	S *	6/2017	Schoepner	D12/521
D792,328	S	7/2017	Takei et al.	
2016/0297250	A1 *	10/2016	Hayashi	B60C 11/032

FOREIGN PATENT DOCUMENTS

JP	1406108	S	1/2014
JP	1541051	S	2/2016
JP	1644965	S	11/2019
KR	3005220770001	S	3/2009
KR	3005220770002	S	3/2009
KR	300638222	S	3/2012
WO	DM/087057		7/2017

OTHER PUBLICATIONS

HJ2705207100, Website URL: <http://www.bridgestone.co.jp/corporate/news/2016010803.html>, (Bridgestone Corporation), Feb. 1, 2018, [database online], [retrieved on Jan. 11, 2016], Retrieved from the Known Design Database of the Japan Patent Office using Internet, URL: <https://www.j-platpat.inpit.go.jp/d0200>.

* cited by examiner

FIG. 1

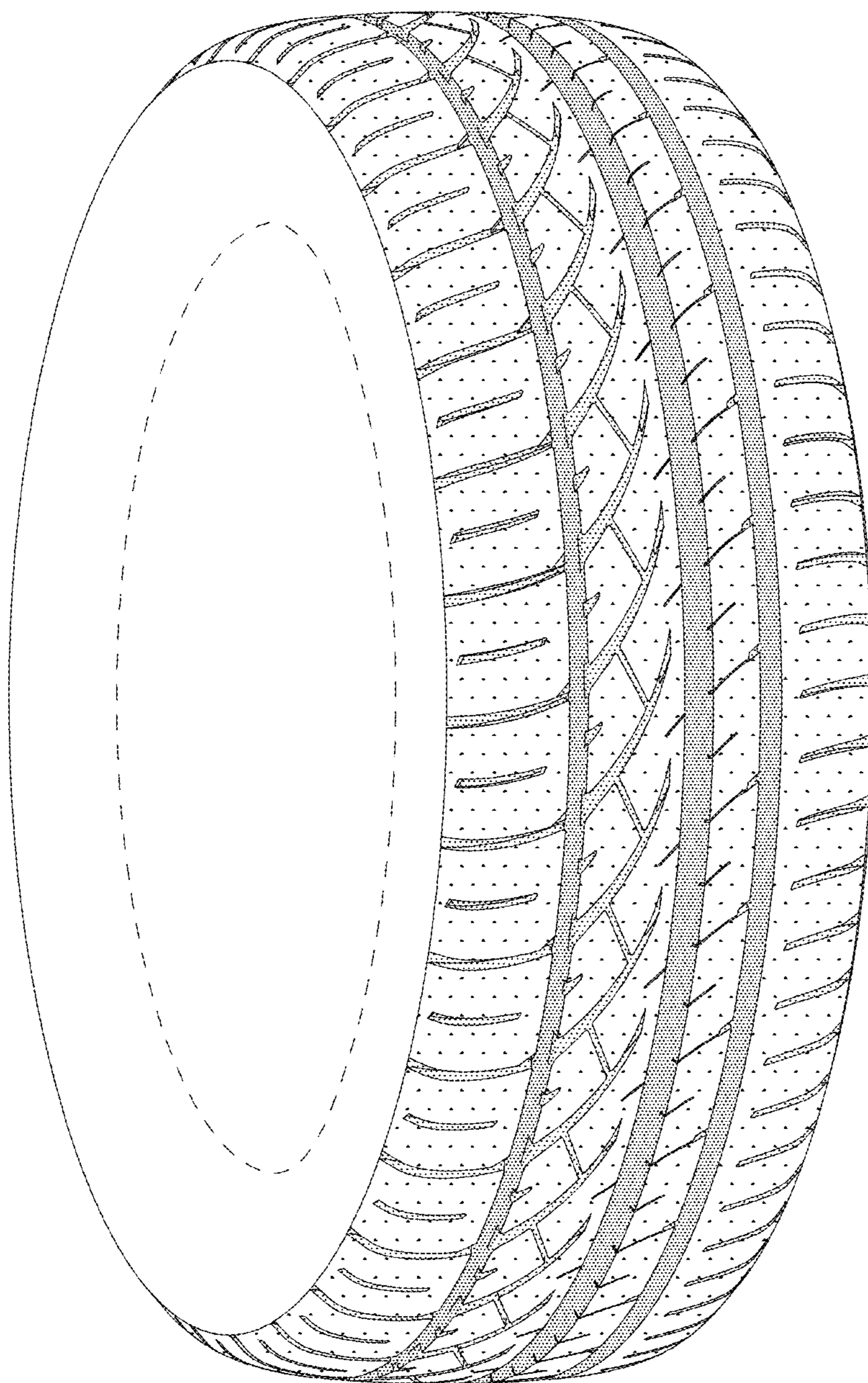


FIG. 2

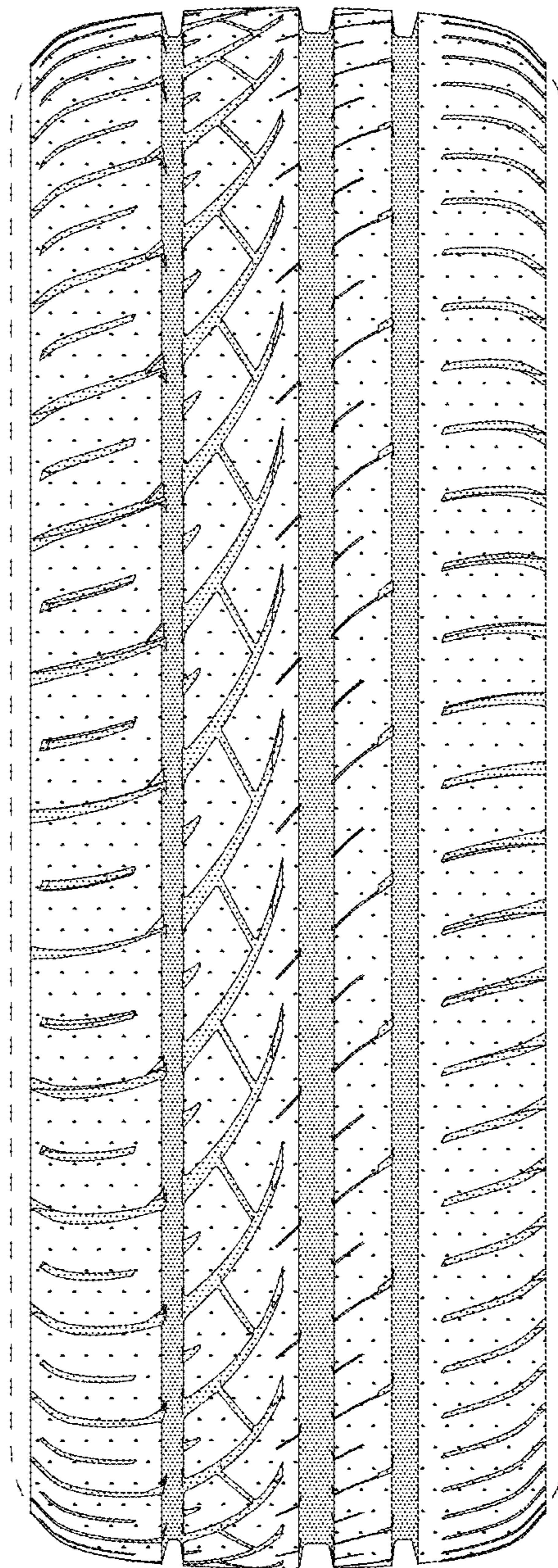


FIG. 3

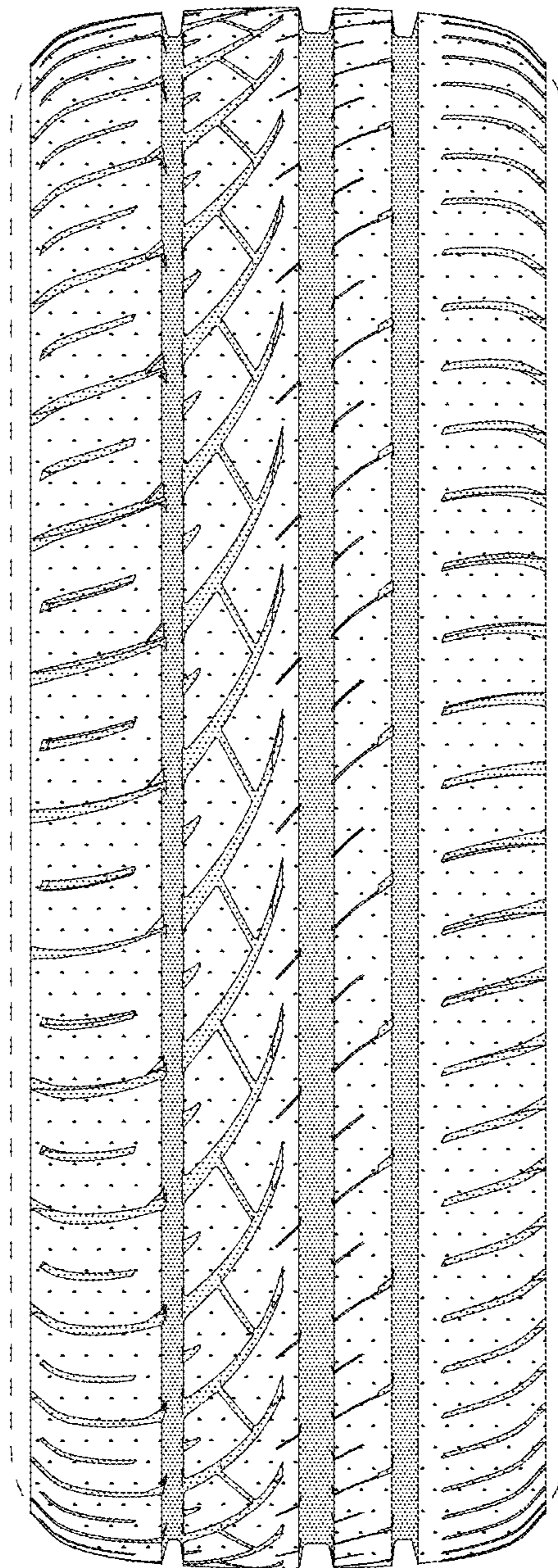


FIG. 4

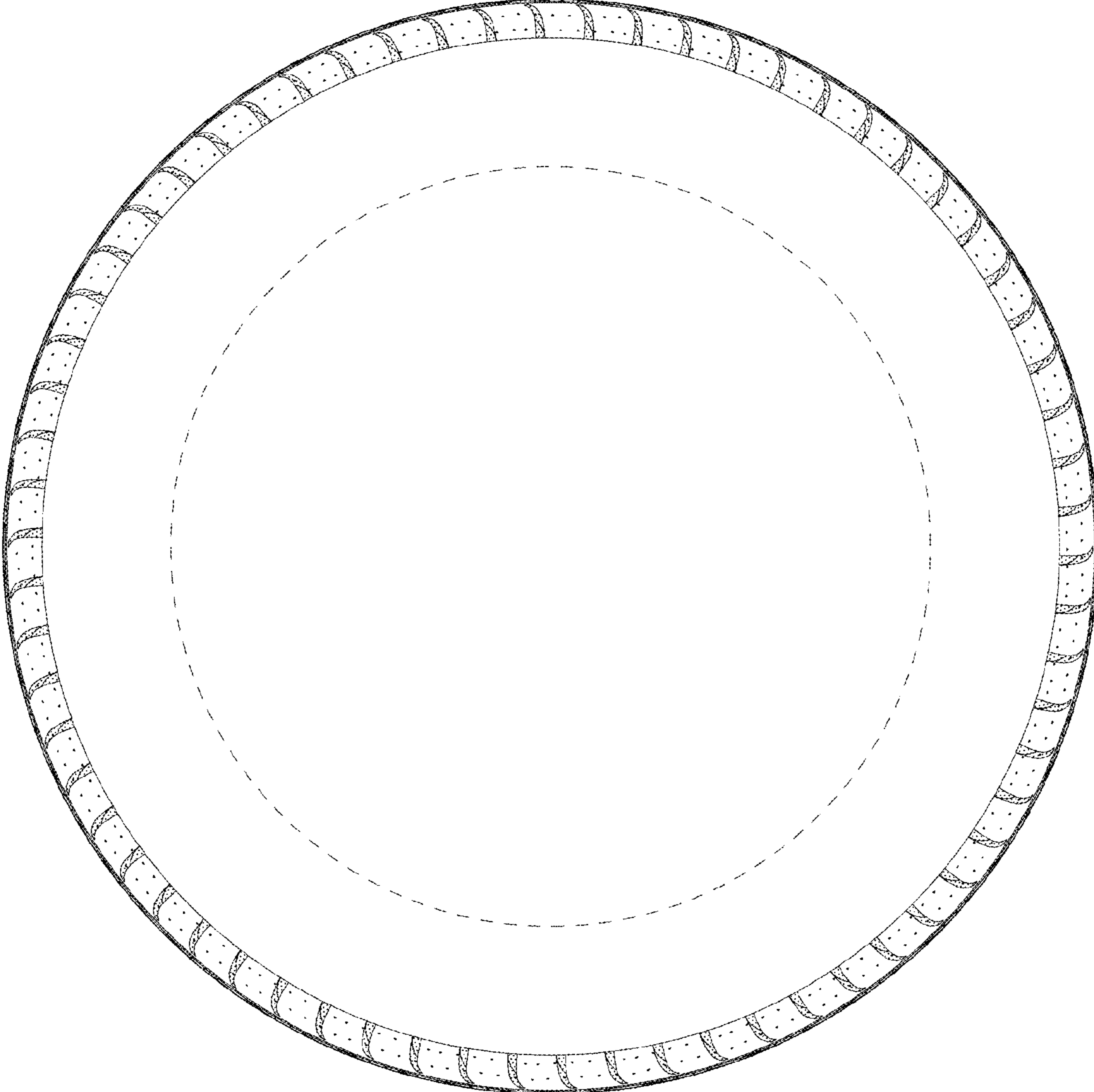


FIG. 5

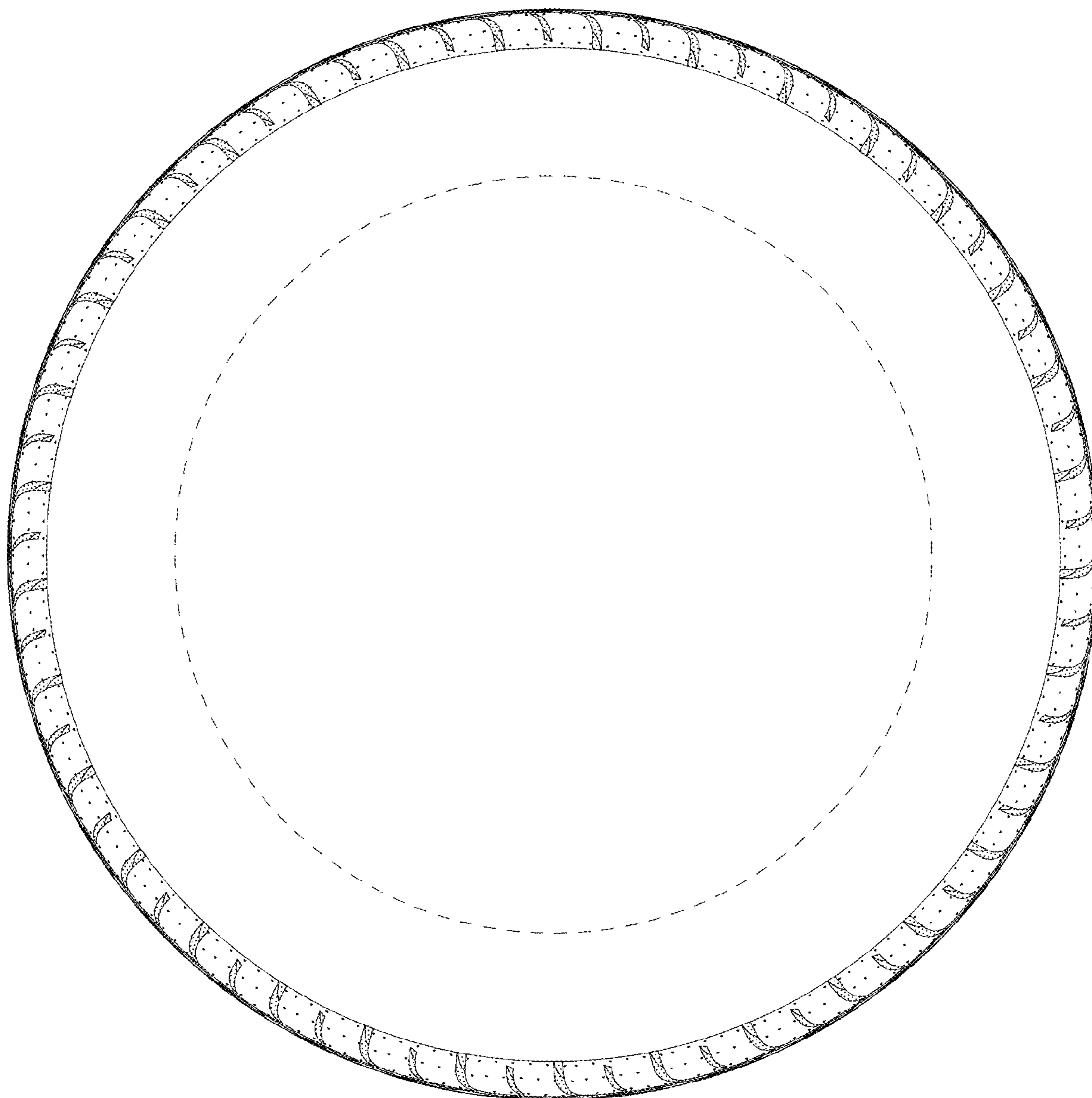


FIG. 6

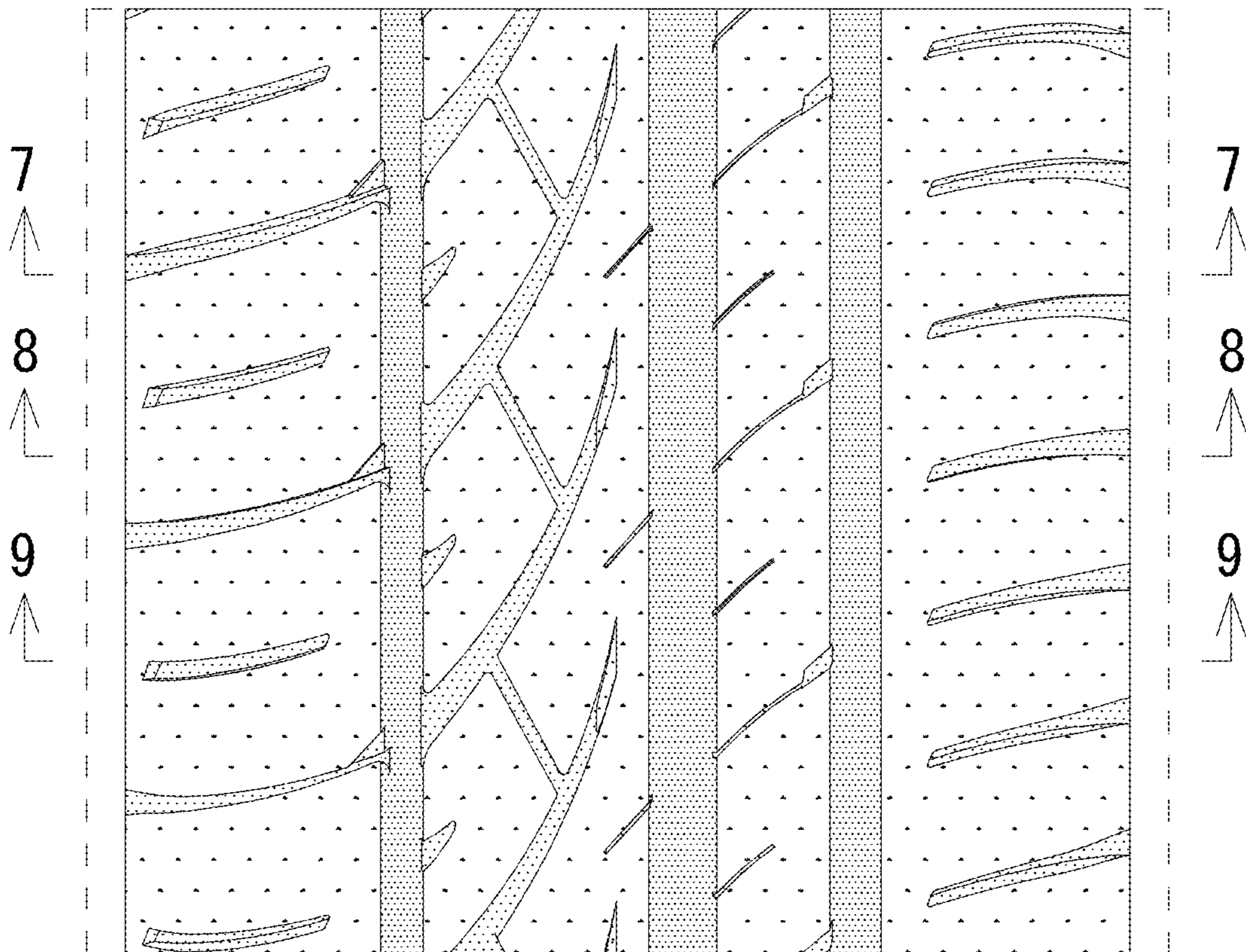


FIG. 7

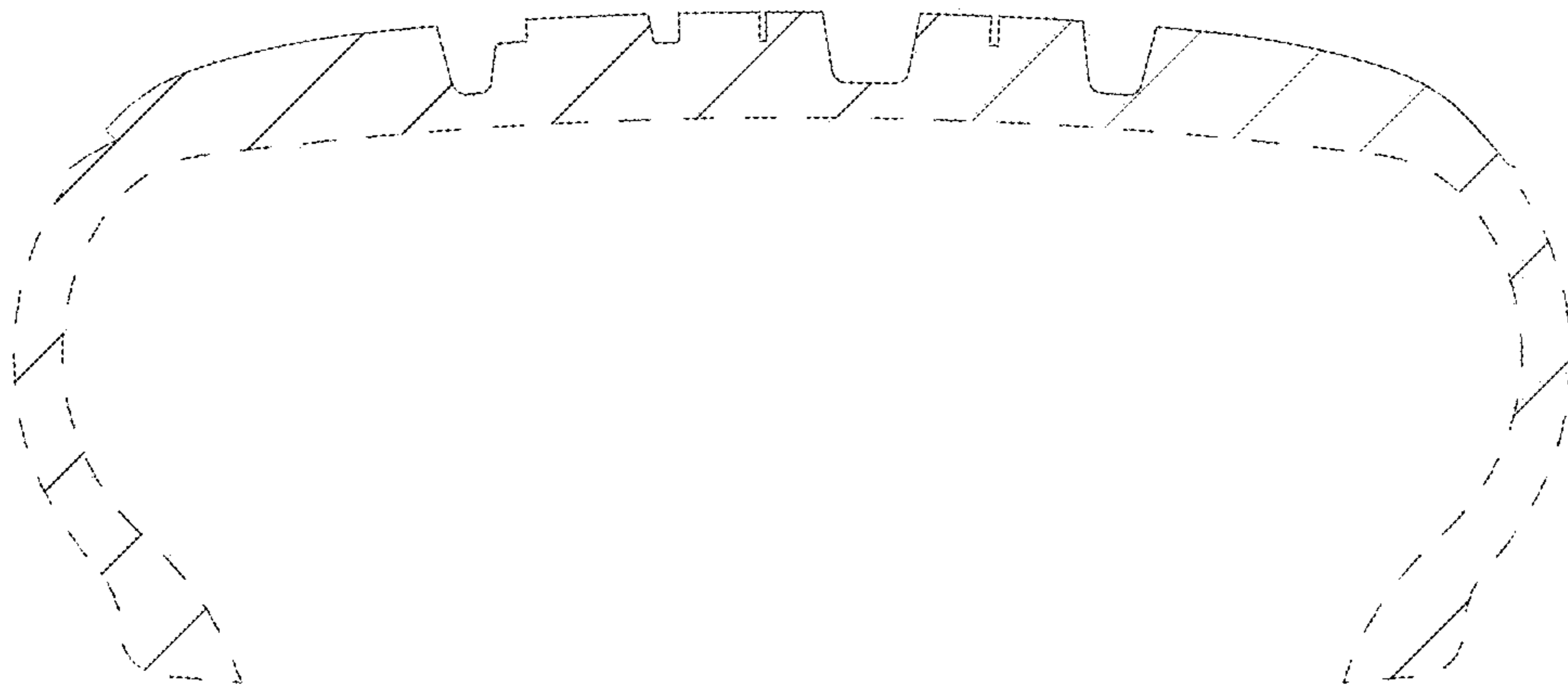


FIG. 8

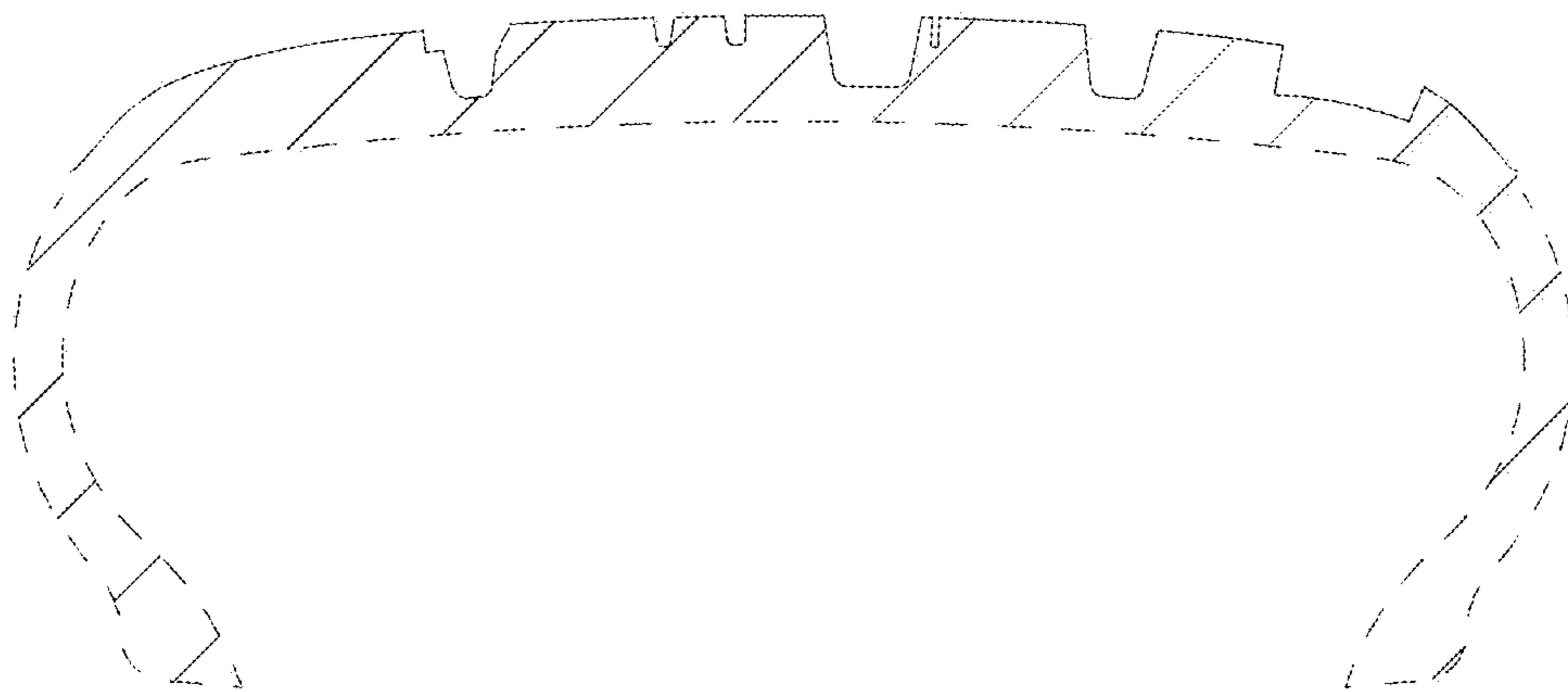


FIG. 9

