



US00D927405S

(12) **United States Design Patent**
Zheng

(10) **Patent No.:** **US D927,405 S**

(45) **Date of Patent:** **** Aug. 10, 2021**

(54) **CLAMSHELL STORAGE BOX OF CAR CONTROL ROOM**

D548,672 S * 8/2007 Hatch D12/423
D590,325 S * 4/2009 Hall D12/218
D634,698 S * 3/2011 Saint-Jaimes D12/423
D890,079 S * 7/2020 Chen D12/423

(71) Applicant: **Guangzhou Zunduo Auto Accessories Co., Ltd.**, Guangzhou (CN)

* cited by examiner

(72) Inventor: **Ruibin Zheng**, Guangzhou (CN)

Primary Examiner — Abraham Bahta

(**) Term: **15 Years**

(21) Appl. No.: **29/719,501**

(57) **CLAIM**

(22) Filed: **Jan. 6, 2020**

The ornamental design for a clamshell storage box of car control room, as shown and described.

(30) **Foreign Application Priority Data**

Dec. 19, 2019 (CN) 201930711840.2

(51) **LOC (13) Cl.** **12-16**

(52) **U.S. Cl.**
USPC **D12/423**

(58) **Field of Classification Search**
USPC D12/423, 434, 192, 400, 190, 191, 106,
D12/96, 195; D3/903, 905, 319;
206/216, 223, 349, 372, 373; 220/831;
296/97.5, 97.6, 97.8, 97.4, 97.7
CPC B60R 7/00; B60R 7/02; B60R 5/00; B60R
5/04; B65D 85/68; A47G 29/00
See application file for complete search history.

DESCRIPTION

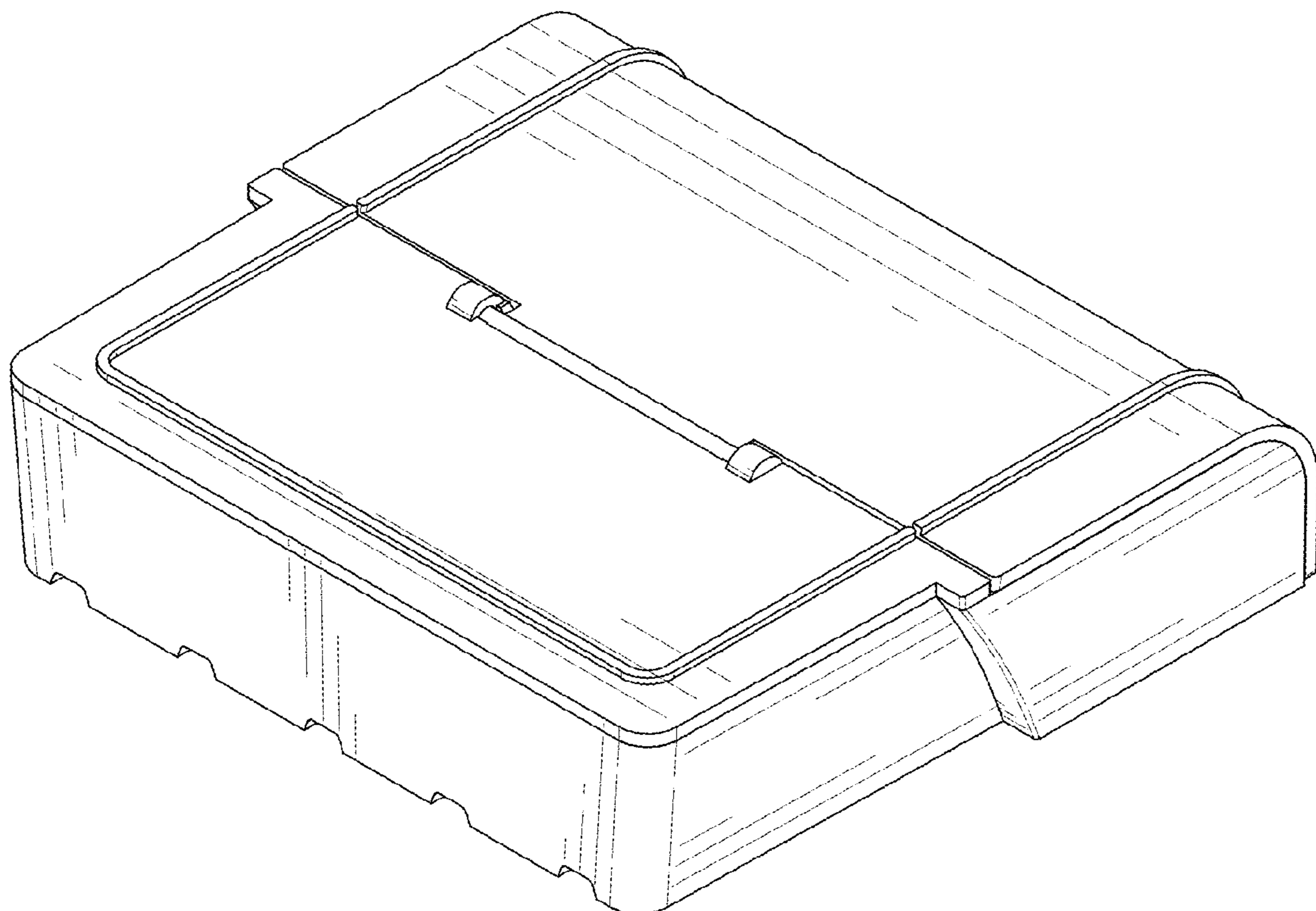
FIG. 1 is a front and bottom perspective view of a clamshell storage box of car control room, showing my new design; FIG. 2 is a rear and top perspective view thereof; FIG. 3 is a front elevational view thereof; FIG. 4 is a rear elevational view thereof; FIG. 5 is a left side elevational view thereof; FIG. 6 is a right side elevational view thereof; FIG. 7 is a top plan view thereof; FIG. 8 is a bottom plan view thereof; and, FIG. 9 is a perspective view thereof, showing the clamshell storage box of car control room in an open position. The broken lines in the figures illustrate portions of the clamshell storage box of car control that form no part of the claimed design.

(56) **References Cited**

U.S. PATENT DOCUMENTS

D310,304 S * 9/1990 Carmichael D12/423
D540,738 S * 4/2007 Hatch D12/415

1 Claim, 9 Drawing Sheets



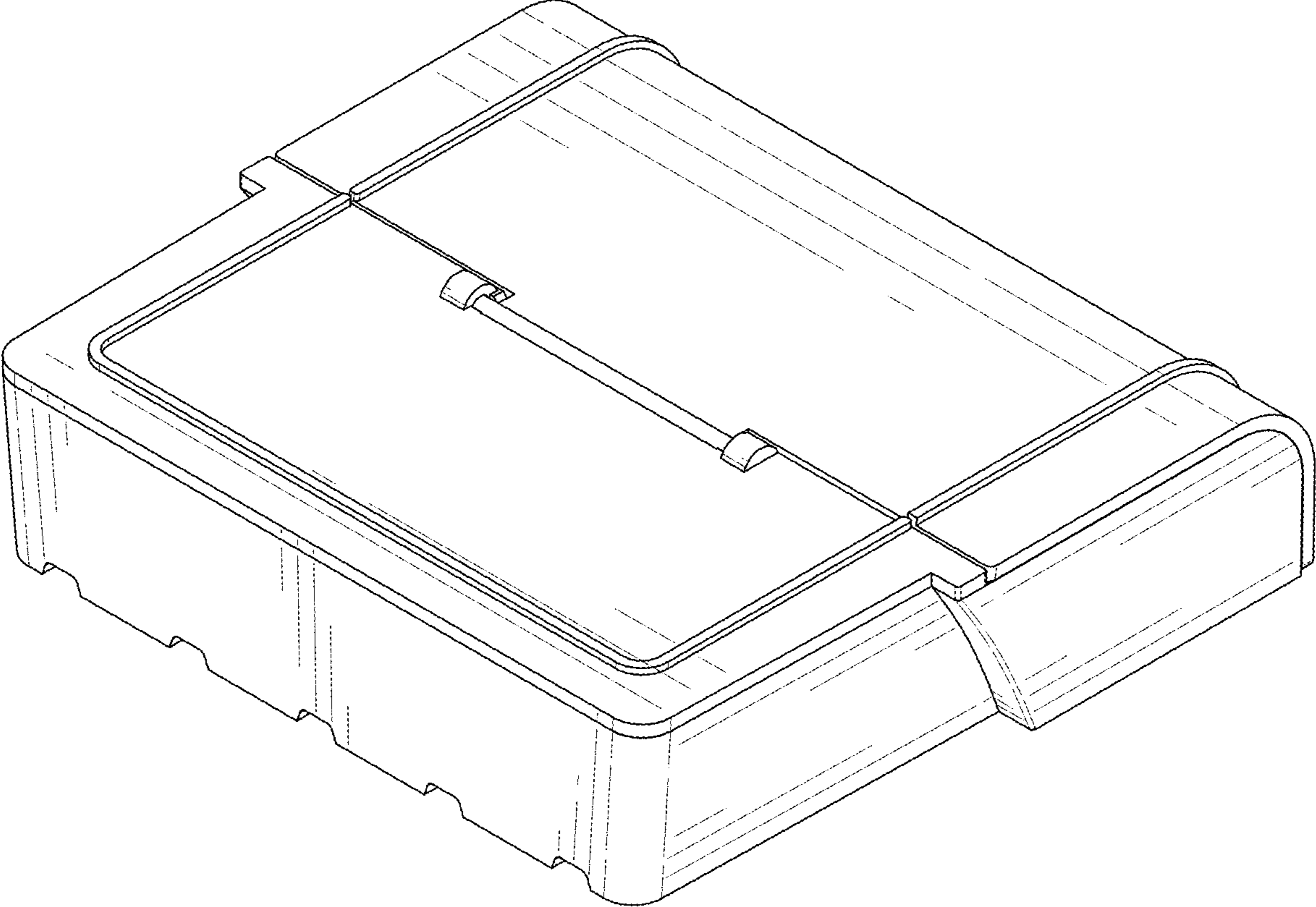


FIG. 1

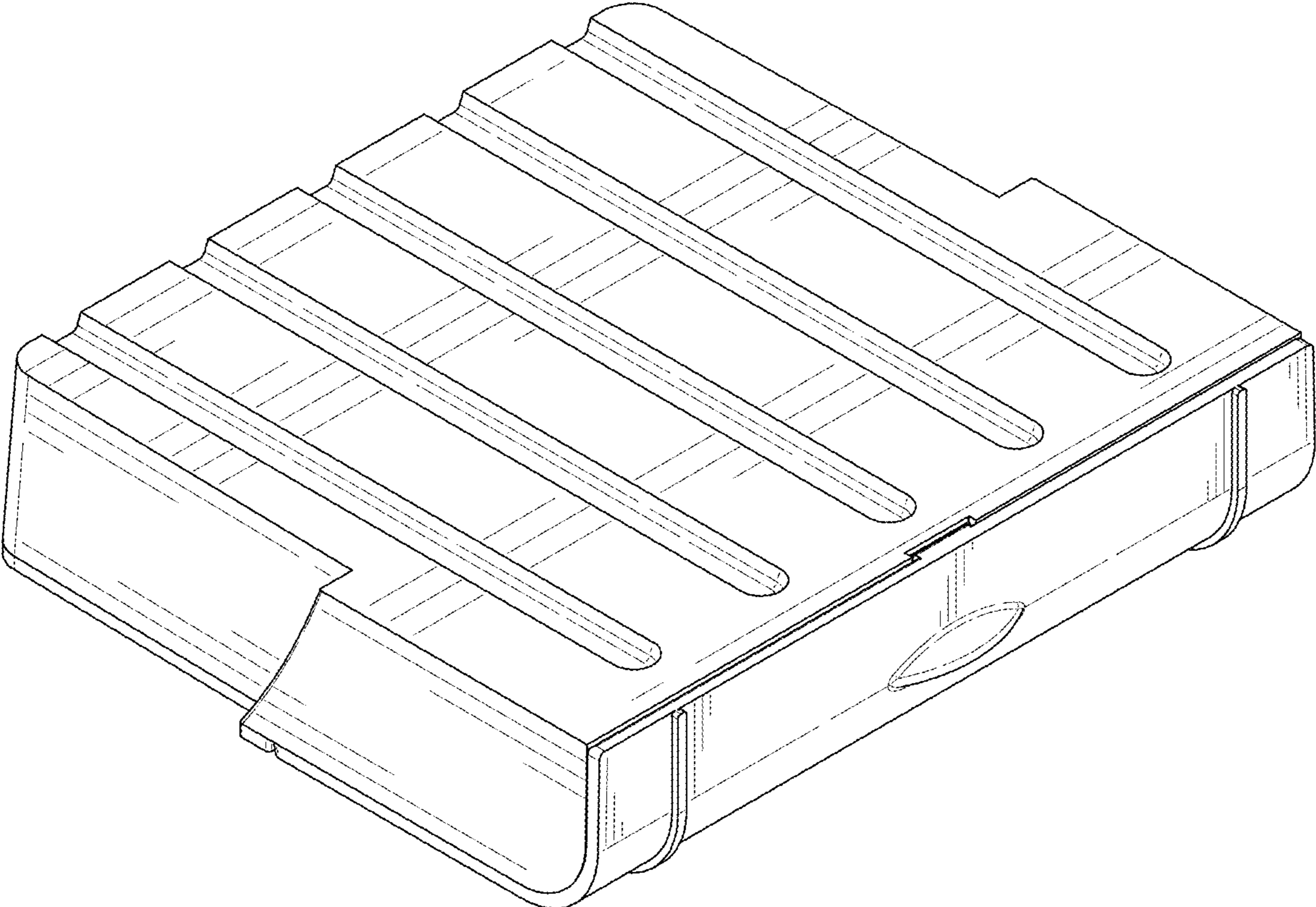


FIG. 2

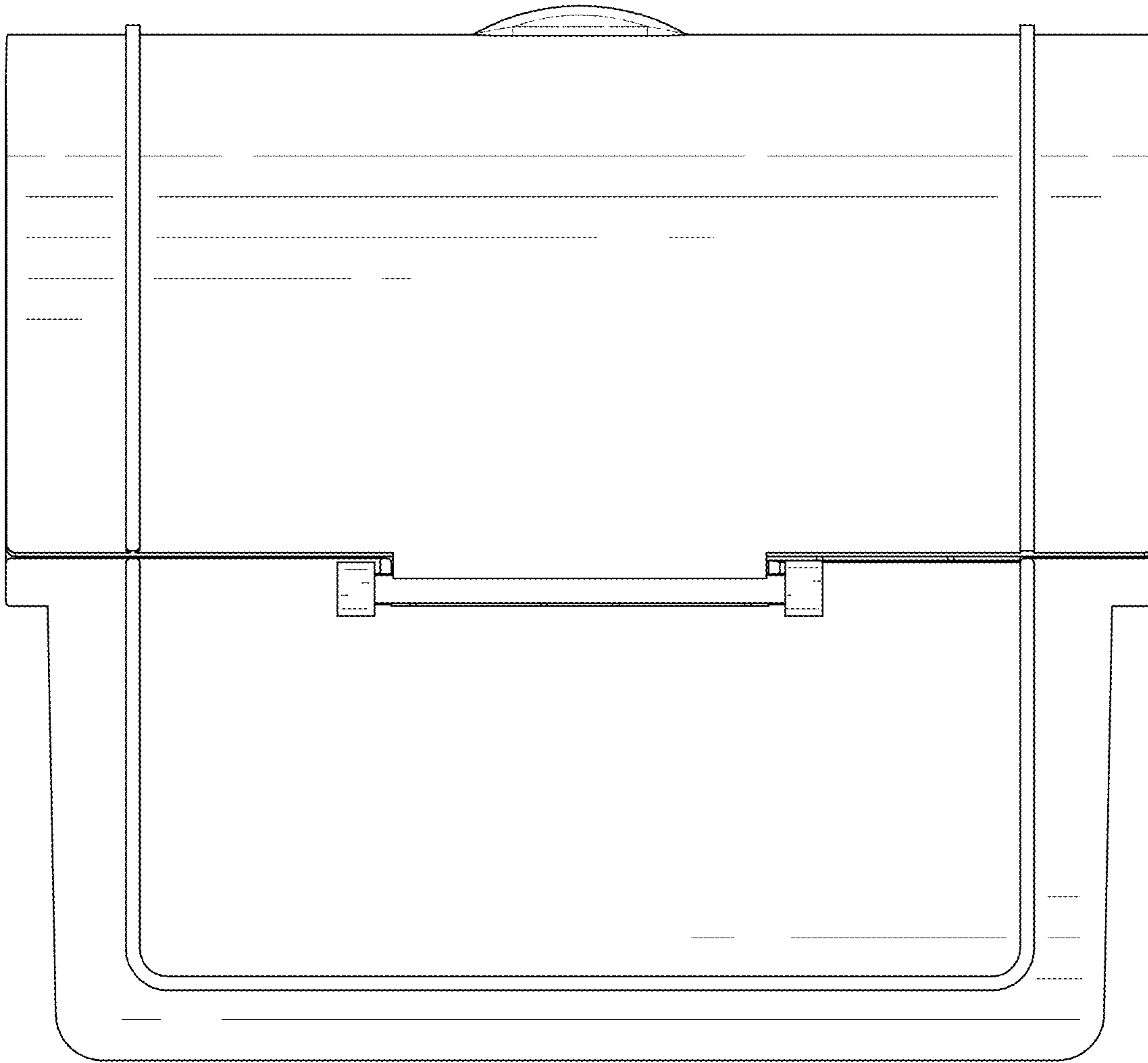


FIG. 3

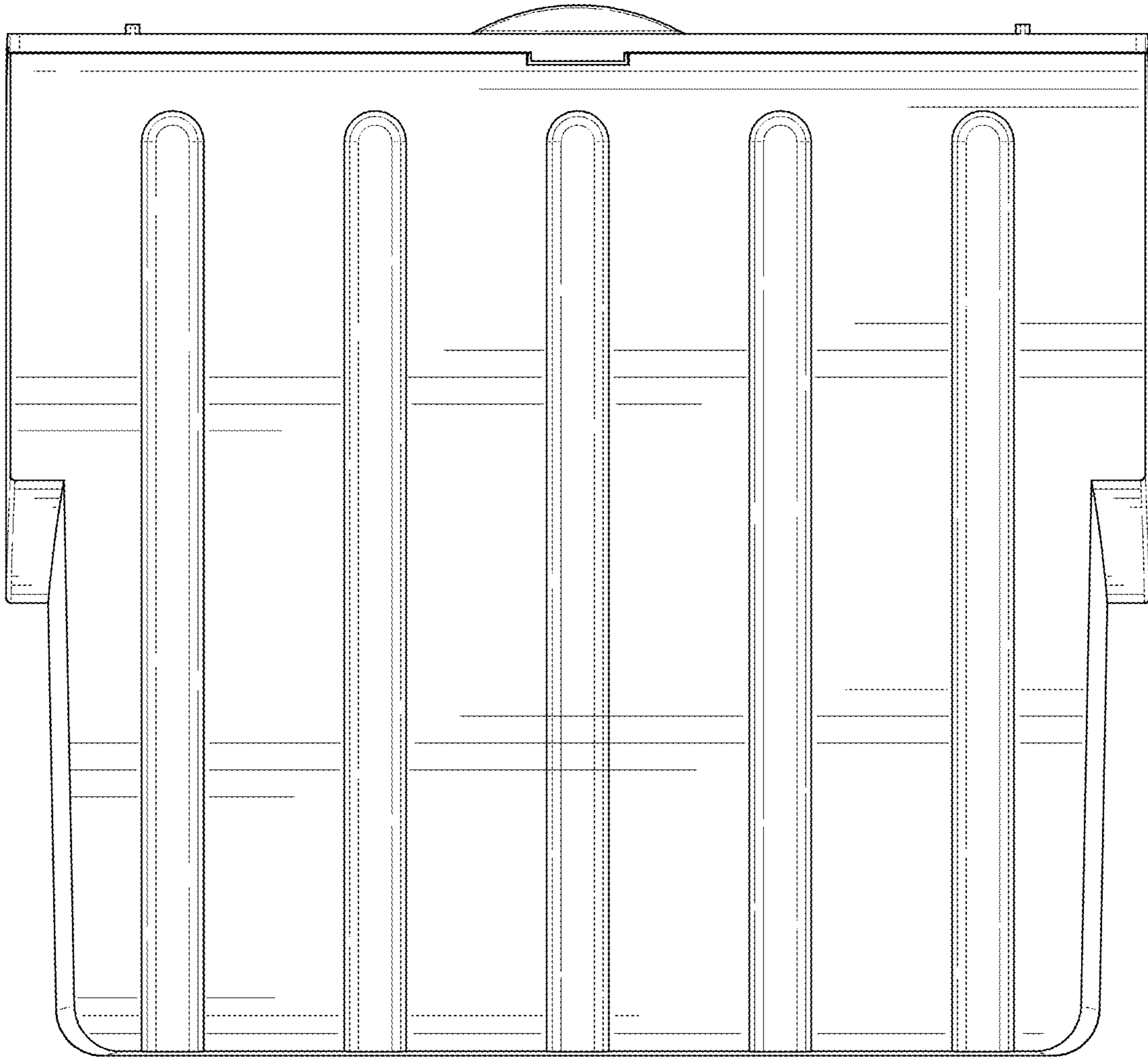


FIG. 4

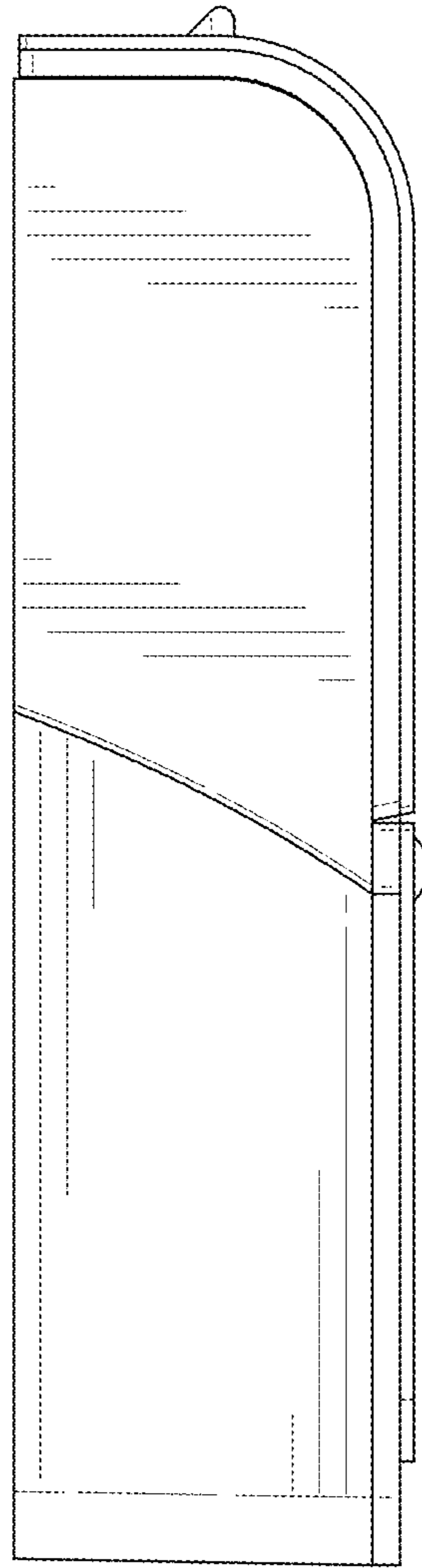


FIG. 5

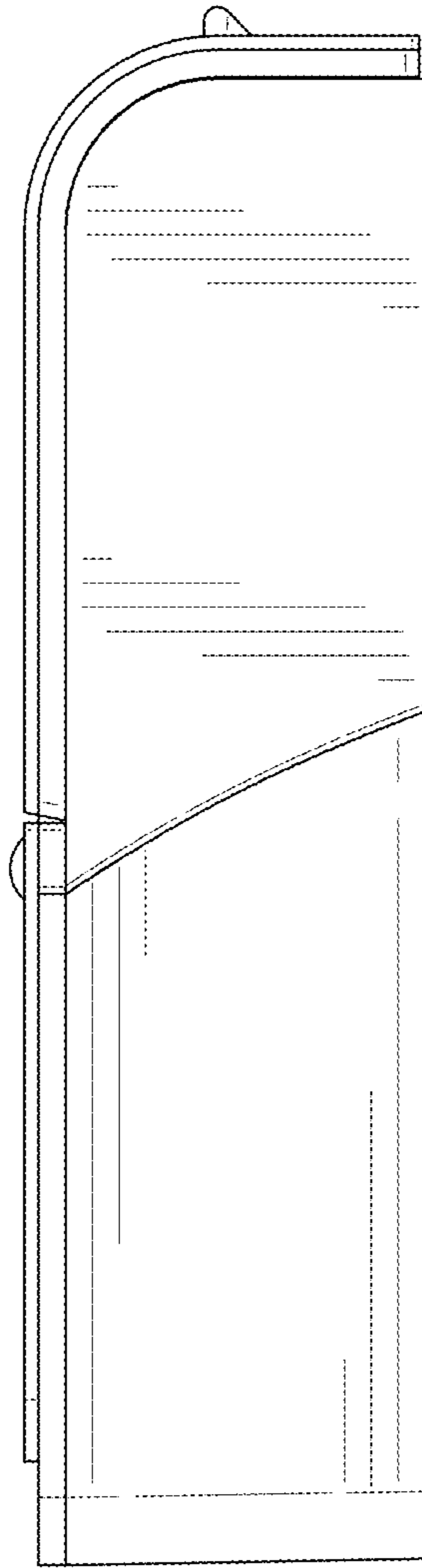


FIG. 6

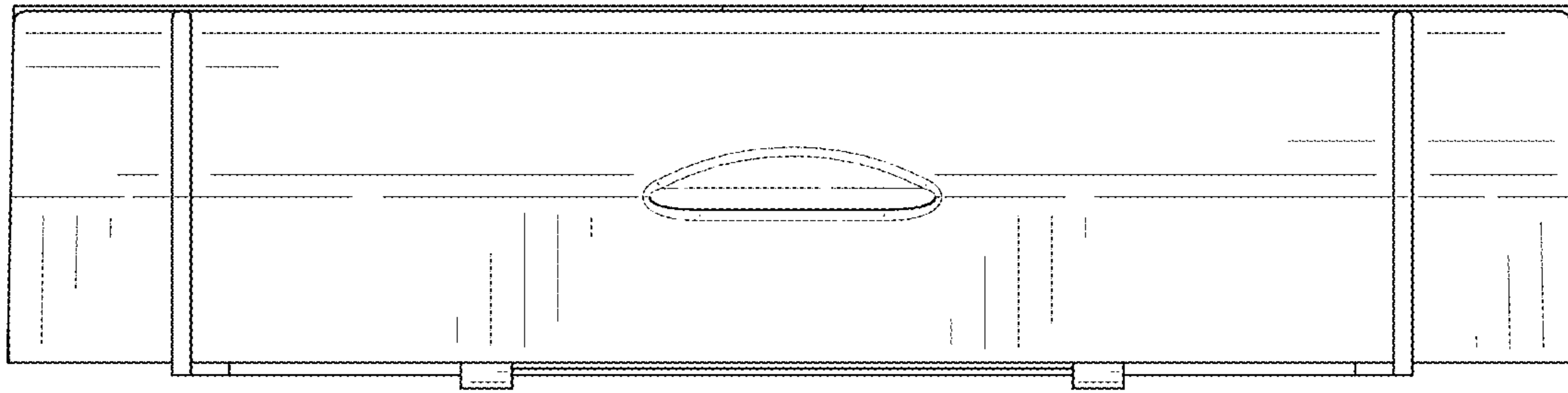


FIG. 7

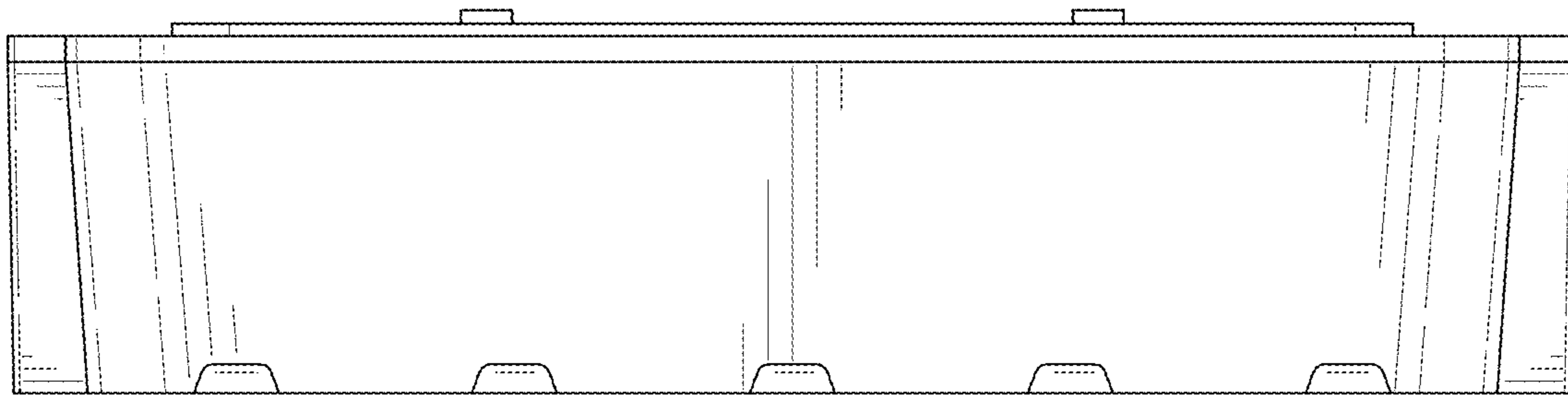


FIG. 8

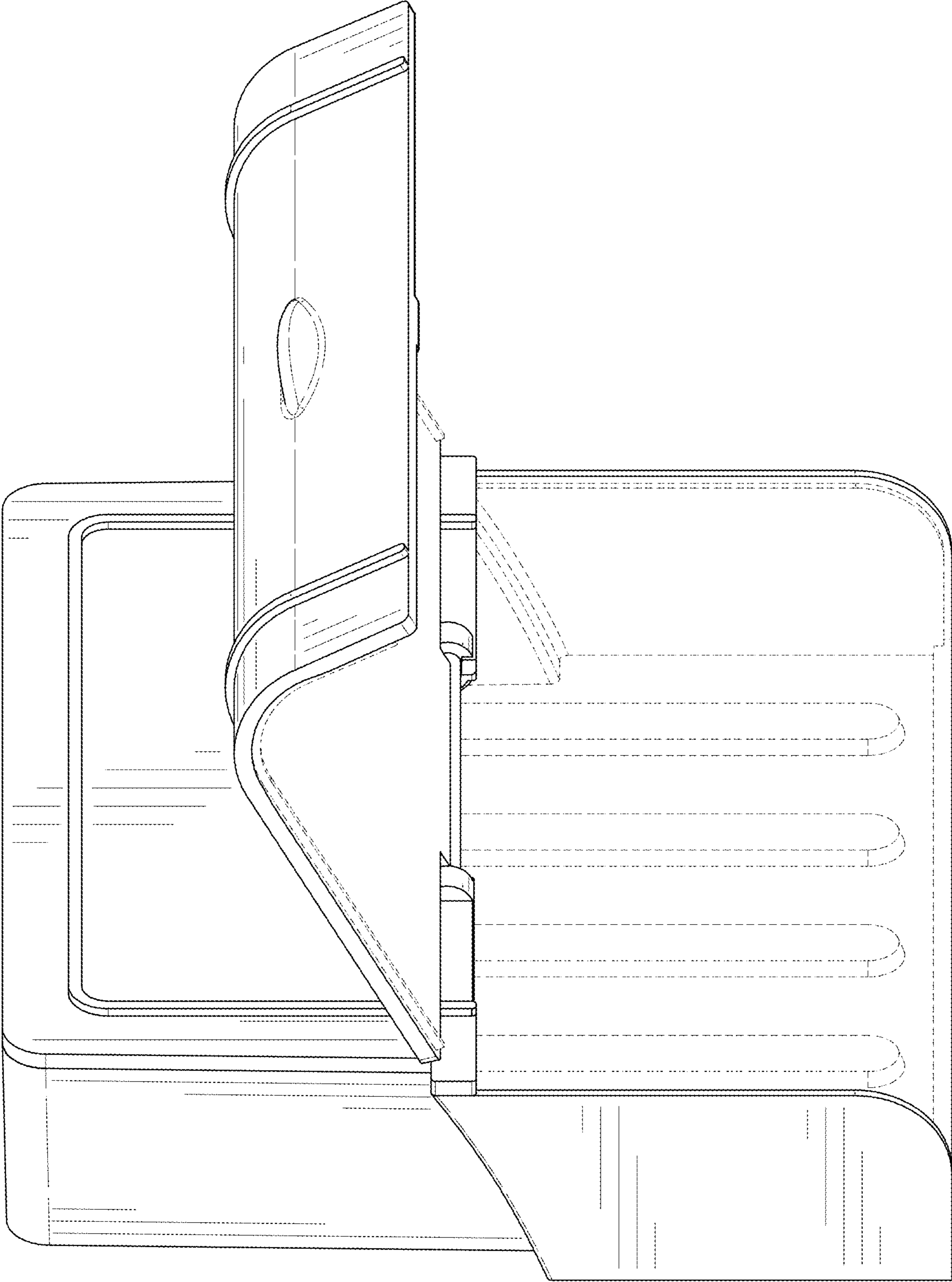


FIG. 9