



US00D927404S

(12) **United States Design Patent** (10) **Patent No.:** **US D927,404 S**  
**Liu et al.** (45) **Date of Patent:** **\*\* Aug. 10, 2021**

(54) **VEHICLE DOME LIGHT**

(56) **References Cited**

(71) Applicant: **KARMA AUTOMOTIVE LLC**,  
Irvine, CA (US)

(72) Inventors: **Zhinan Liu**, Costa Mesa, CA (US);  
**Andre Franco Luis**, Orange, CA (US);  
**Andreas Thurner**, Irvine, CA (US)

U.S. PATENT DOCUMENTS

D320,587 S	*	10/1991	Kapp	.....	D12/418
D339,780 S	*	9/1993	Burdick	.....	D12/418
D340,016 S	*	10/1993	Falcoff	.....	D12/418
D340,017 S	*	10/1993	Falcoff	.....	D12/418
D340,215 S	*	10/1993	Falcoff	.....	D12/418

(73) Assignee: **KARMA AUTOMOTIVE LLC**,  
Irvine, CA (US)

(\*\*) Term: **15 Years**

\* cited by examiner

*Primary Examiner* — Marcus A Jackson

(74) *Attorney, Agent, or Firm* — Gordon Rees Scully  
Mansukhani, LLP

(21) Appl. No.: **29/680,763**

(57) **CLAIM**

The ornamental design for a vehicle dome light, as shown  
and described.

(22) Filed: **Feb. 19, 2019**

**DESCRIPTION**

(51) **LOC (13) Cl.** ..... **12-16**

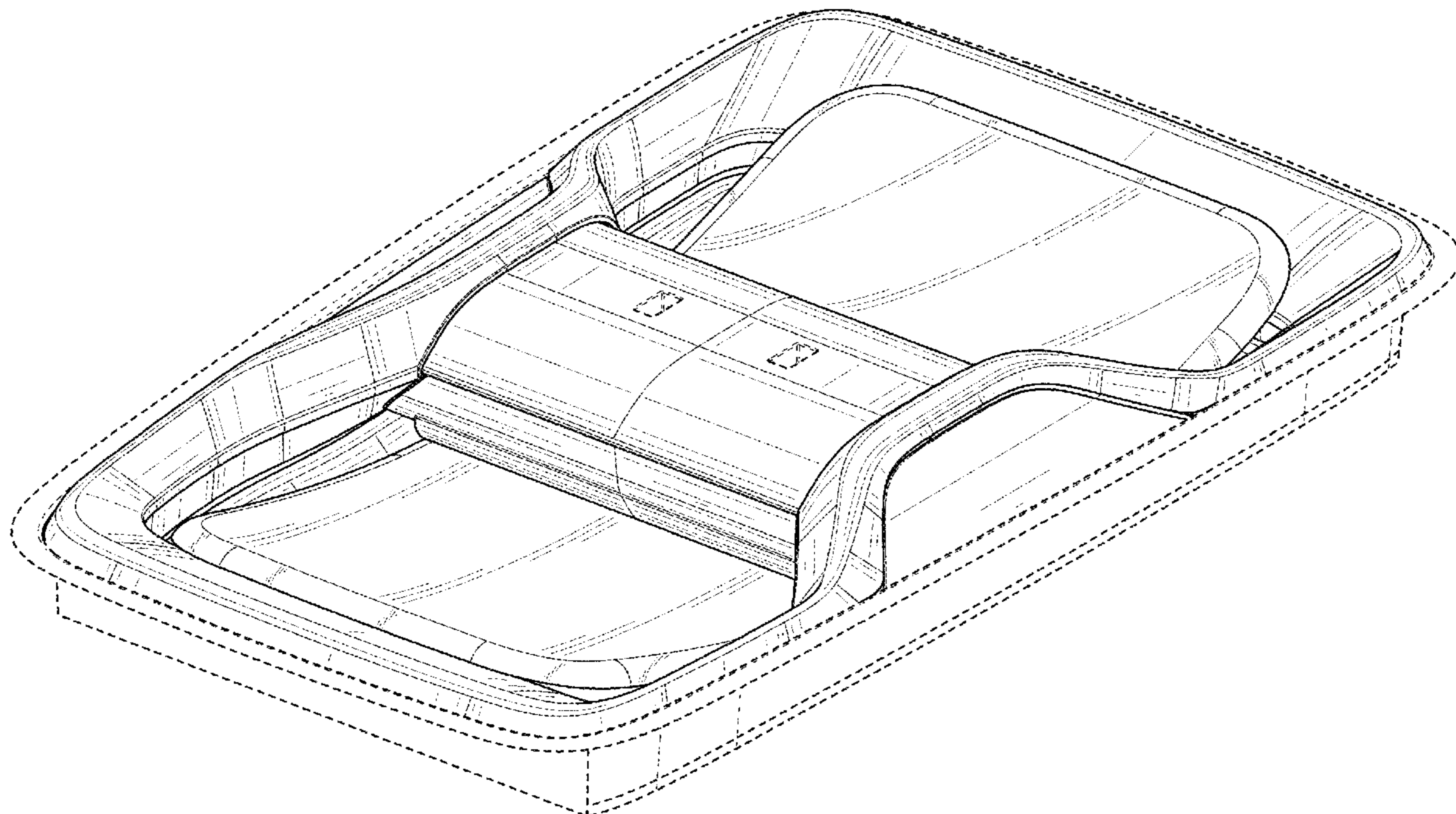
(52) **U.S. Cl.**  
USPC ..... **D12/418; D26/28**

(58) **Field of Classification Search**  
USPC ..... D12/418; D26/28-36, 139  
CPC ..... F21S 48/00; F21S 48/10; F21S 48/115;  
F21S 48/225; F21S 48/1233; F21S  
48/1266; F21S 48/1388; F21S 48/2268;  
F21V 5/00; F21V 21/04; F21V 29/004;  
B60Q 9/13; B60Q 9/135; B60Q 9/1375

FIG. 1 is a perspective view of a vehicle dome light.  
FIG. 2 is a bottom view of the vehicle dome light of FIG. 1.  
FIG. 3 is a front view of the vehicle dome light of FIG. 1.  
FIG. 4 is a rear view of the vehicle dome light of FIG. 1.  
FIG. 5 is a left side view vehicle dome light of FIG. 1; and,  
FIG. 6 is a right side view vehicle dome light of FIG. 1.  
The dashed lines showing the various parts of a dome light  
are for illustrative purposes only and form no part of the  
claimed design.

See application file for complete search history.

**1 Claim, 5 Drawing Sheets**



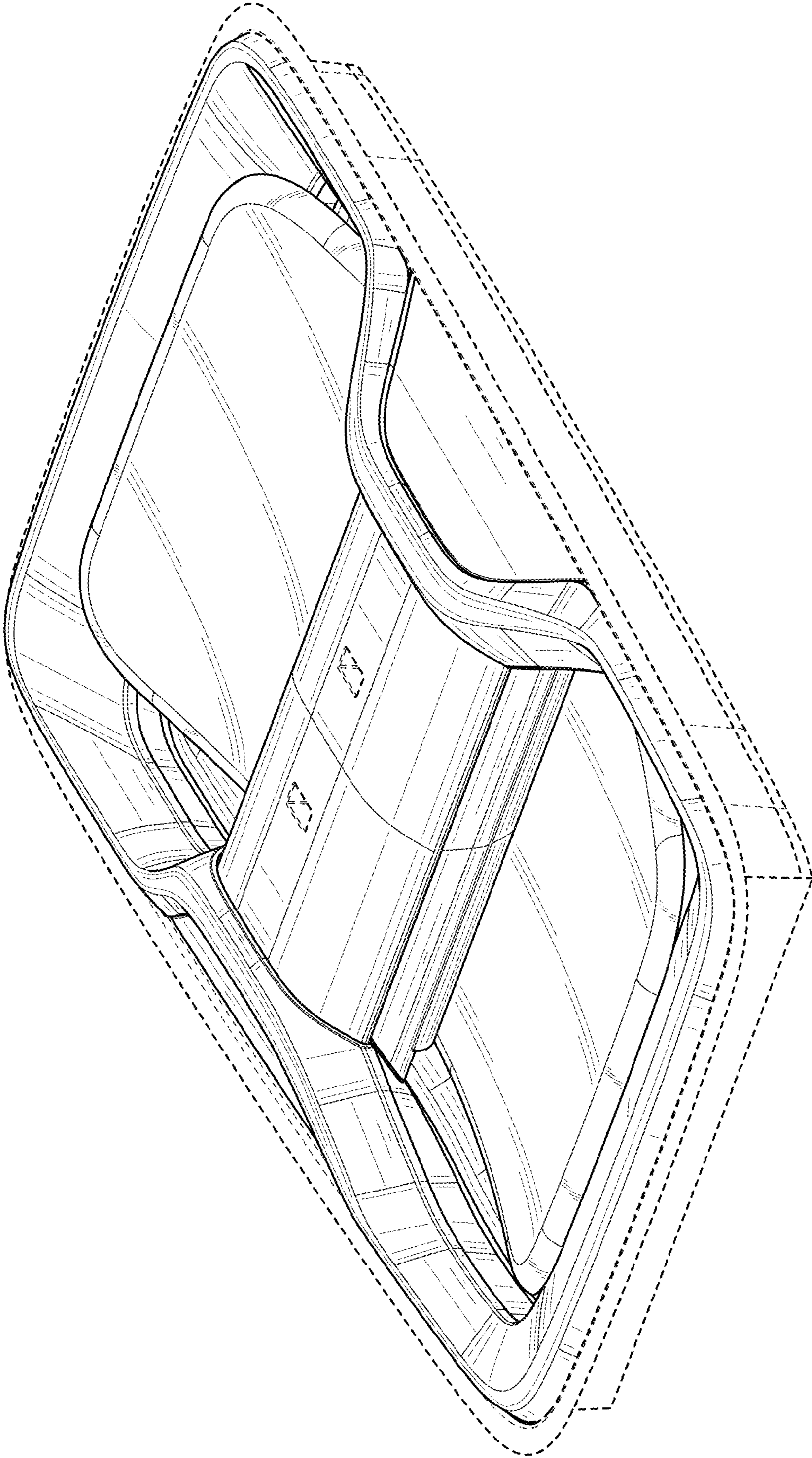


FIG. 1

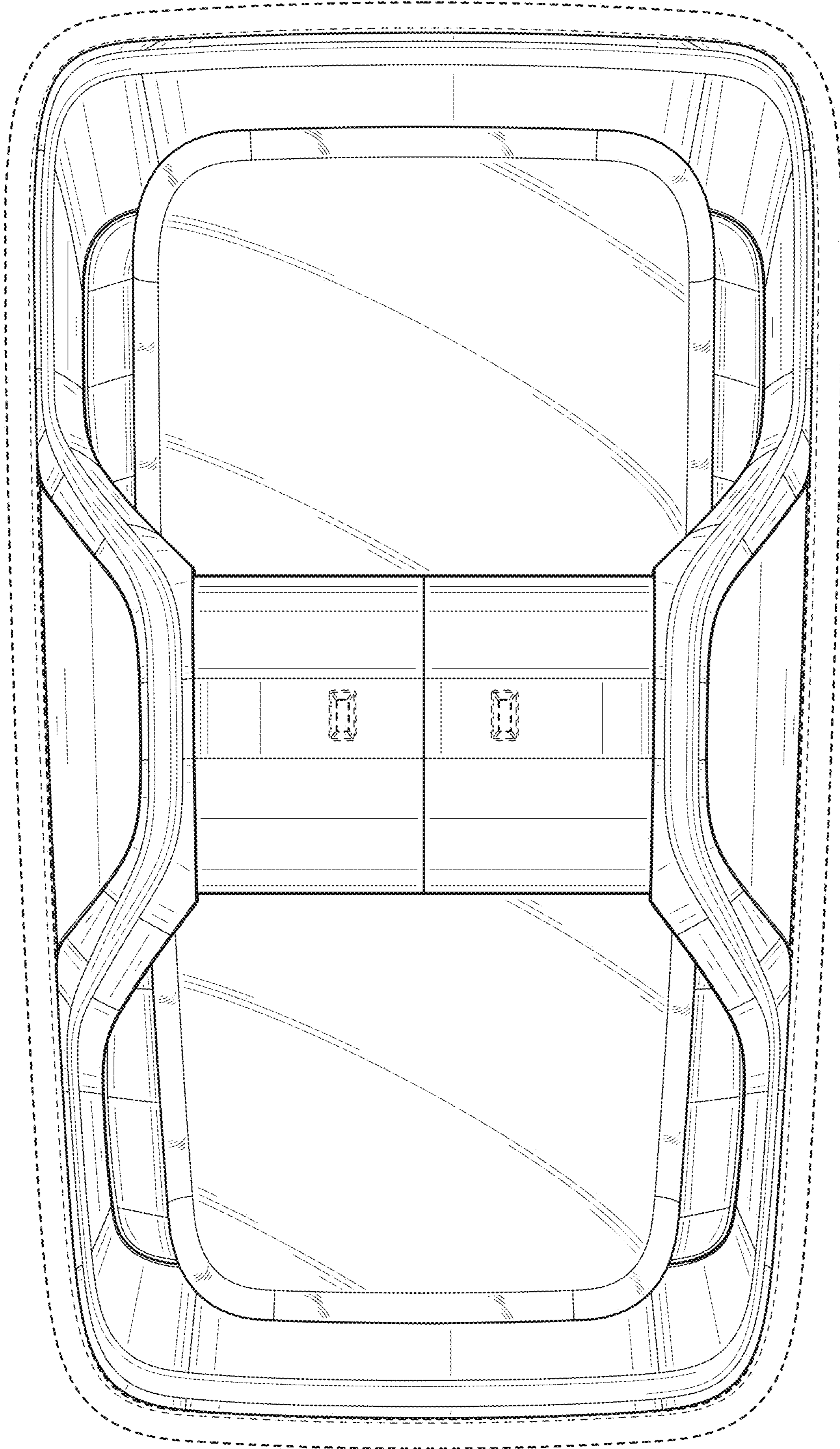


FIG. 2

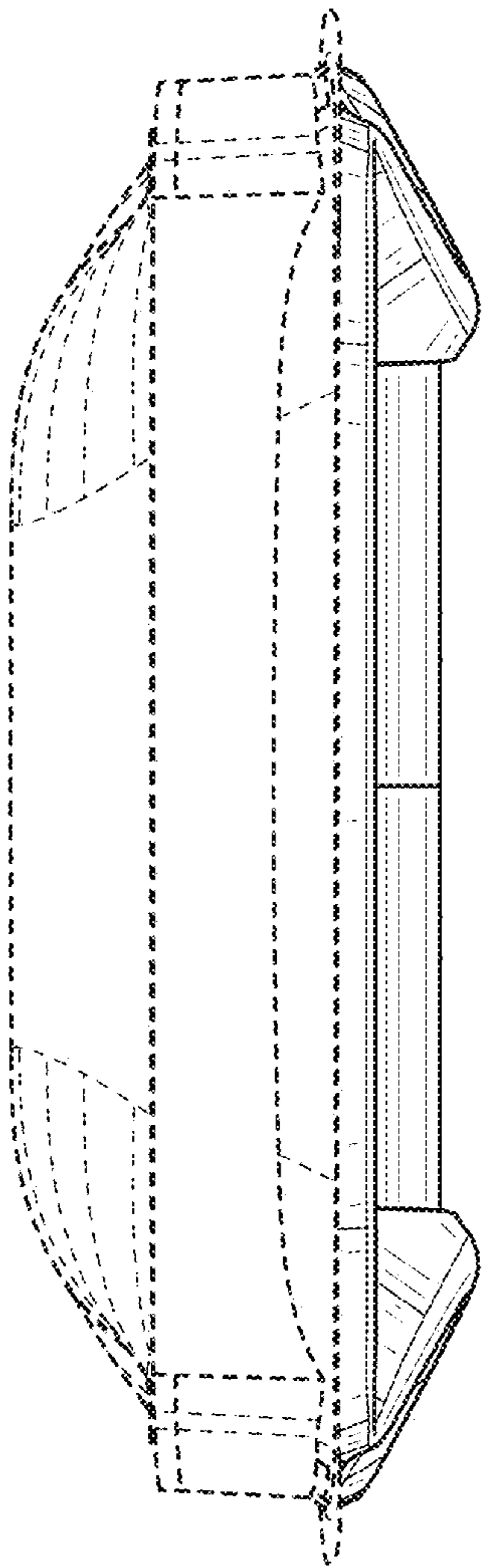


FIG. 3

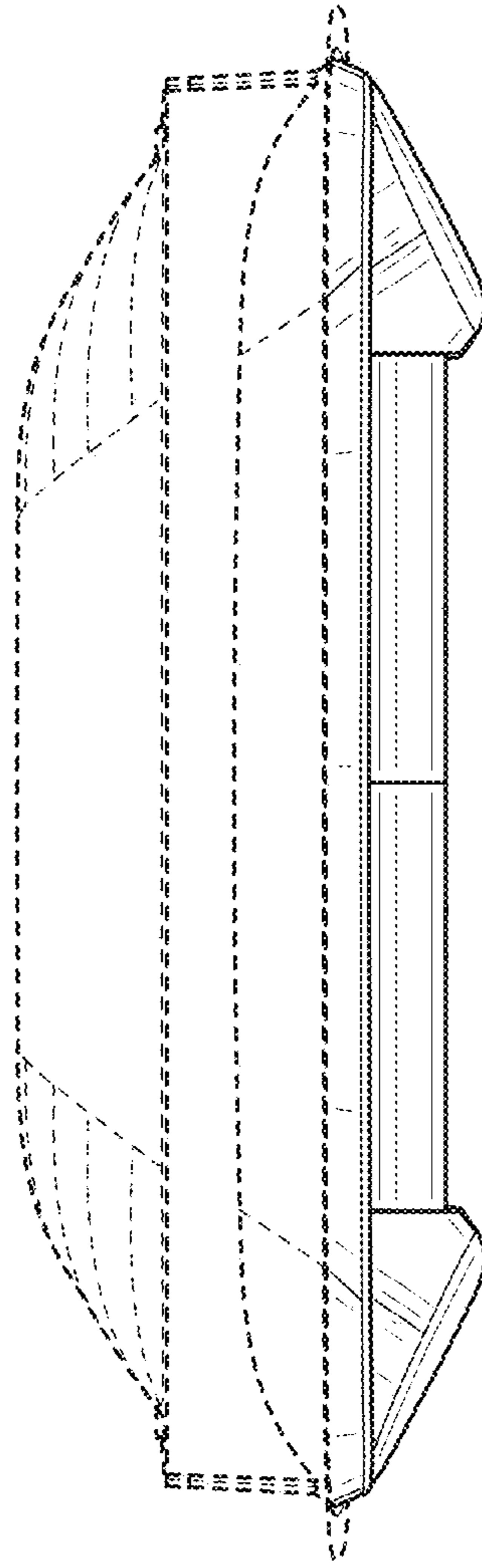


FIG. 4

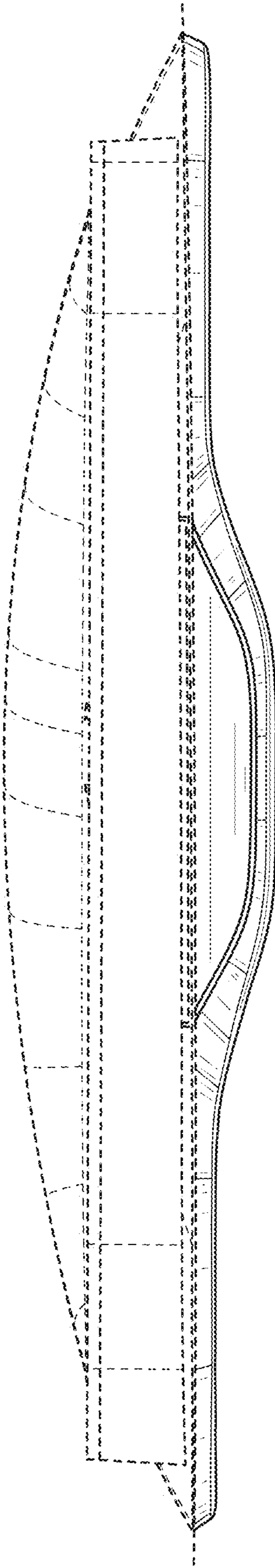


FIG. 5

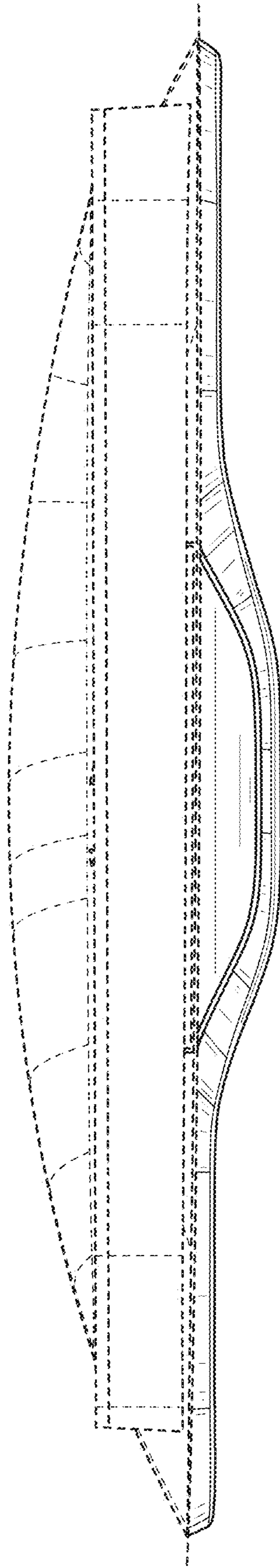


FIG. 6