



US00D927401S

(12) **United States Design Patent** (10) **Patent No.:** **US D927,401 S**  
**Fang** (45) **Date of Patent:** **\*\* Aug. 10, 2021**

(54) **VEHICLE BAG** 7,458,630 B1 \* 12/2008 Marciano ..... B60J 11/00  
 150/166  
 (71) Applicant: **Dongguan Meiluodi Electronic Co.,** 9,061,808 B2 \* 6/2015 Echauz ..... B65D 85/68  
**Ltd., Guangdong (CN)** 10,500,935 B2 \* 12/2019 Garnick ..... B60J 11/04

(72) Inventor: **Songke Fang, Guangdong (CN)**

\* cited by examiner

(\*\*) Term: **15 Years**

*Primary Examiner* — Abraham Bahta

(74) *Attorney, Agent, or Firm* — Sandy Lipkin

(21) Appl. No.: **29/715,230**

(22) Filed: **Nov. 29, 2019**

(51) **LOC (13) Cl.** ..... **12-16**

(52) **U.S. Cl.**  
 USPC ..... **D12/413**

(58) **Field of Classification Search**  
 USPC ..... D9/702–714; 224/563, 311, 683, 236;  
 280/730.02, 741, 806, 730.01;  
 296/136.01, 136.07; 150/166, 167, 117,  
 150/168; 383/40–41; D12/412–413  
 CPC ..... B65D 33/24; B65D 33/20; B65D 33/15;  
 B65D 85/68; B65D 88/16; B65D 90/06;  
 B65D 65/22; B60J 11/04; B60J 7/20;  
 B32B 5/02

See application file for complete search history.

(56) **References Cited**

U.S. PATENT DOCUMENTS

2,366,600 A \* 1/1945 Daniel ..... B60J 11/00  
 135/87  
 6,547,313 B2 \* 4/2003 Syron ..... B05B 12/24  
 118/505

(57) **CLAIM**

The ornamental design for a vehicle bag, as shown and described.

**DESCRIPTION**

FIG. 1 is a front view of the vehicle bag showing my new design;

FIG. 2 is a top plan view thereof;

FIG. 3 is a bottom plan view thereof;

FIG. 4 is a rear plan view thereof;

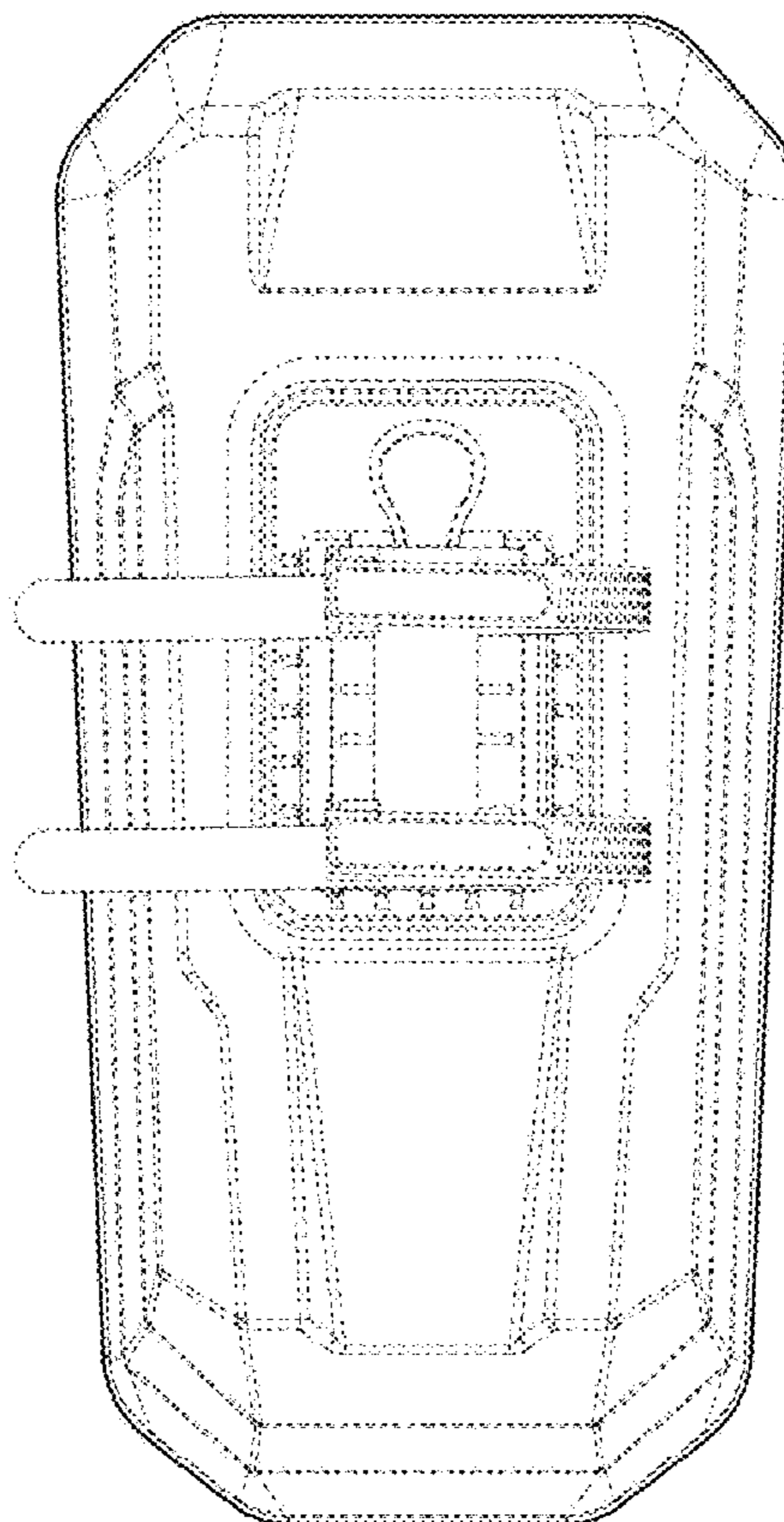
FIG. 5 is a left plan view thereof;

FIG. 6 is a right plan view thereof; and,

FIG. 7 is a perspective view thereof.

The broken line showing of portions of the vehicle bag is included for the purpose of illustrating environmental structure and forms no part of the claimed design.

**1 Claim, 7 Drawing Sheets**



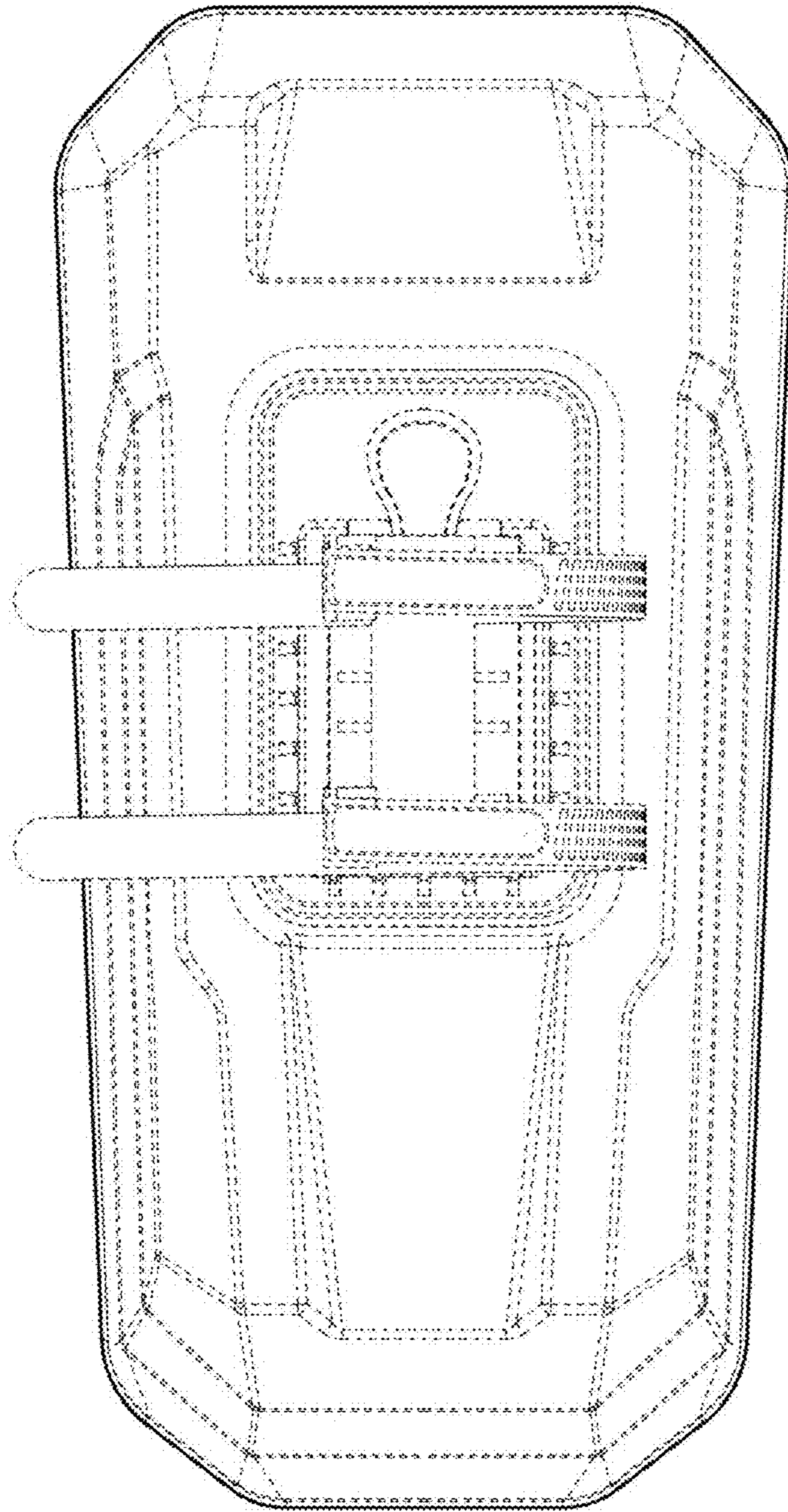


FIG.1

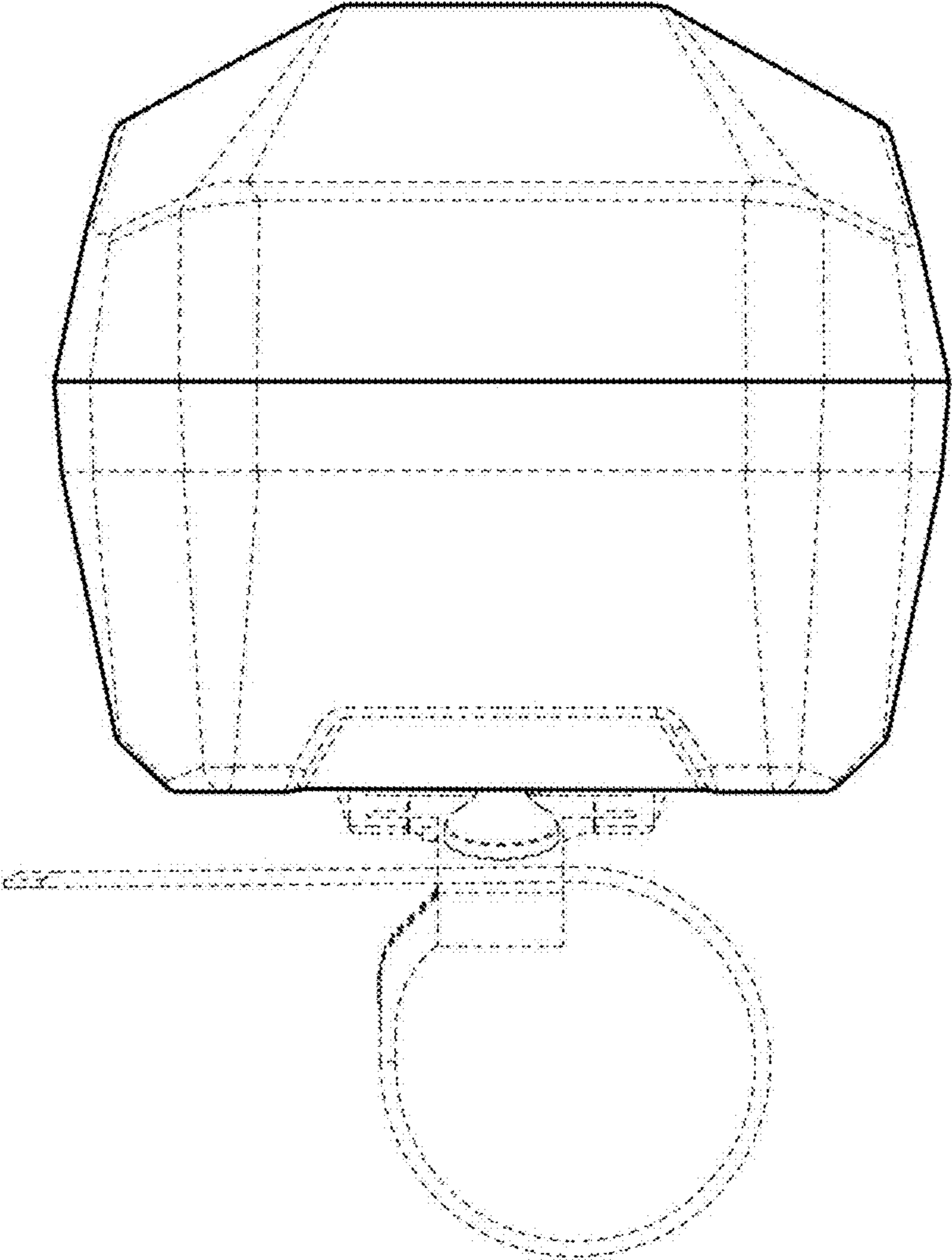


FIG.2

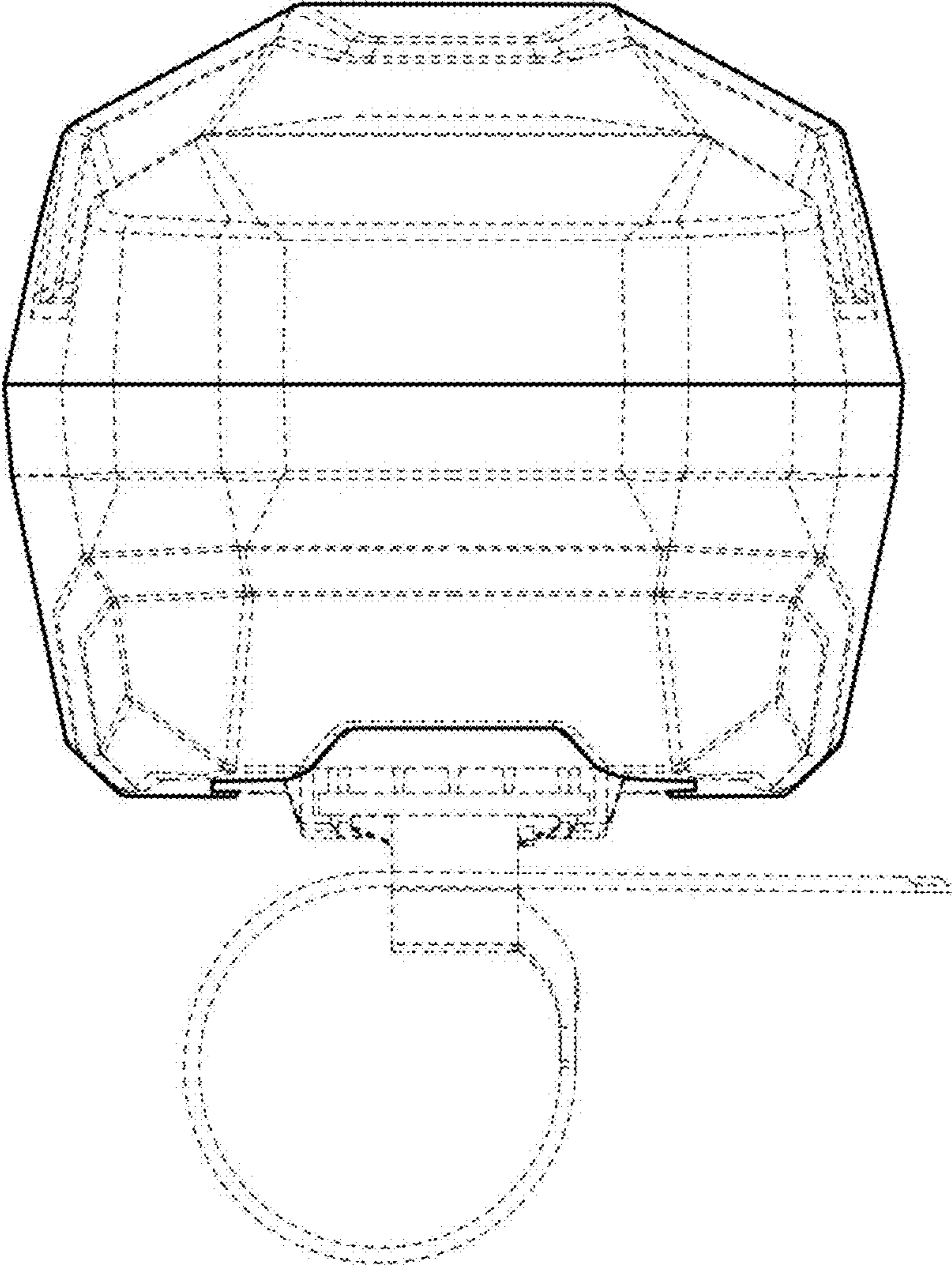


FIG.3

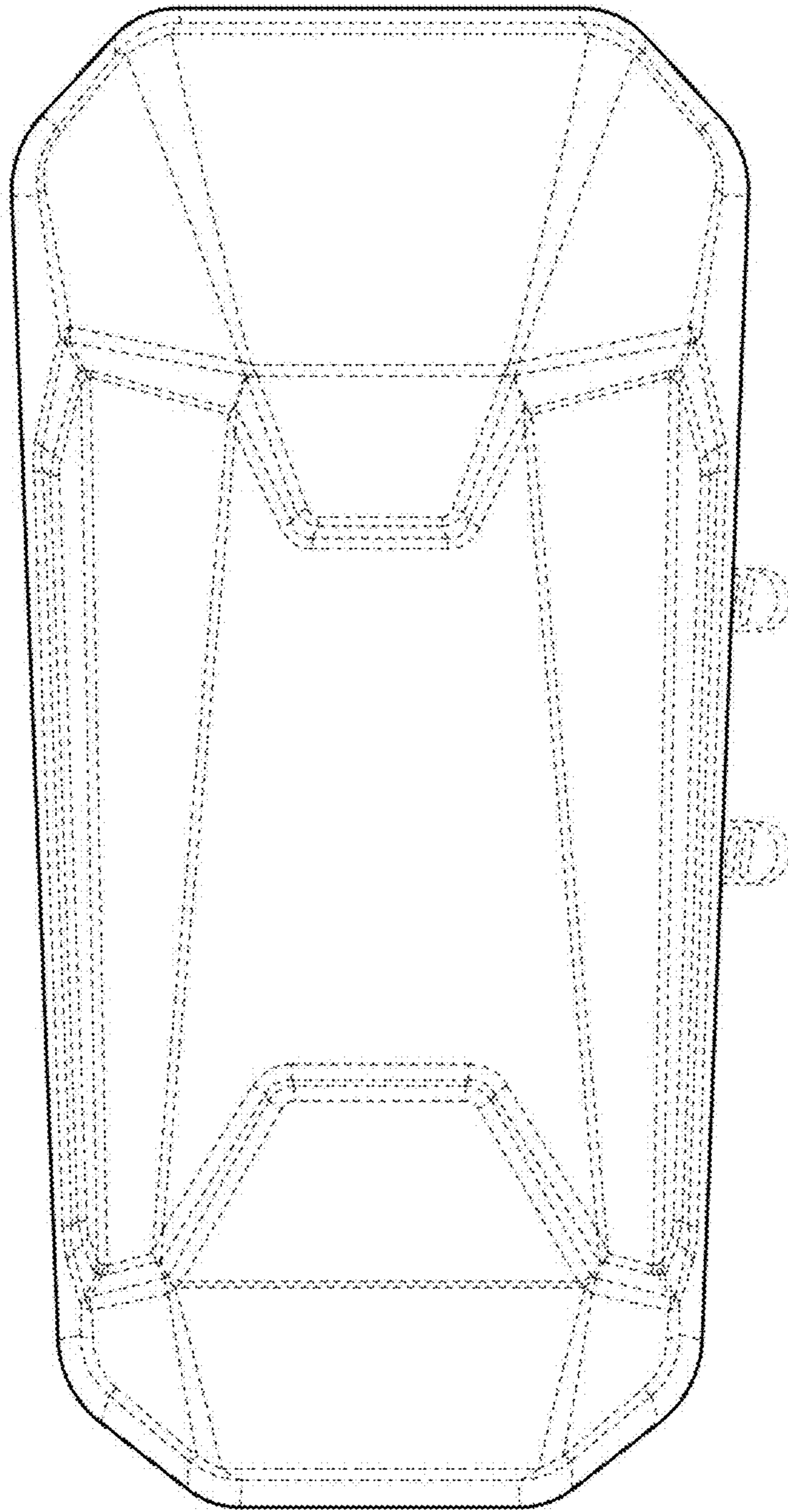


FIG.4

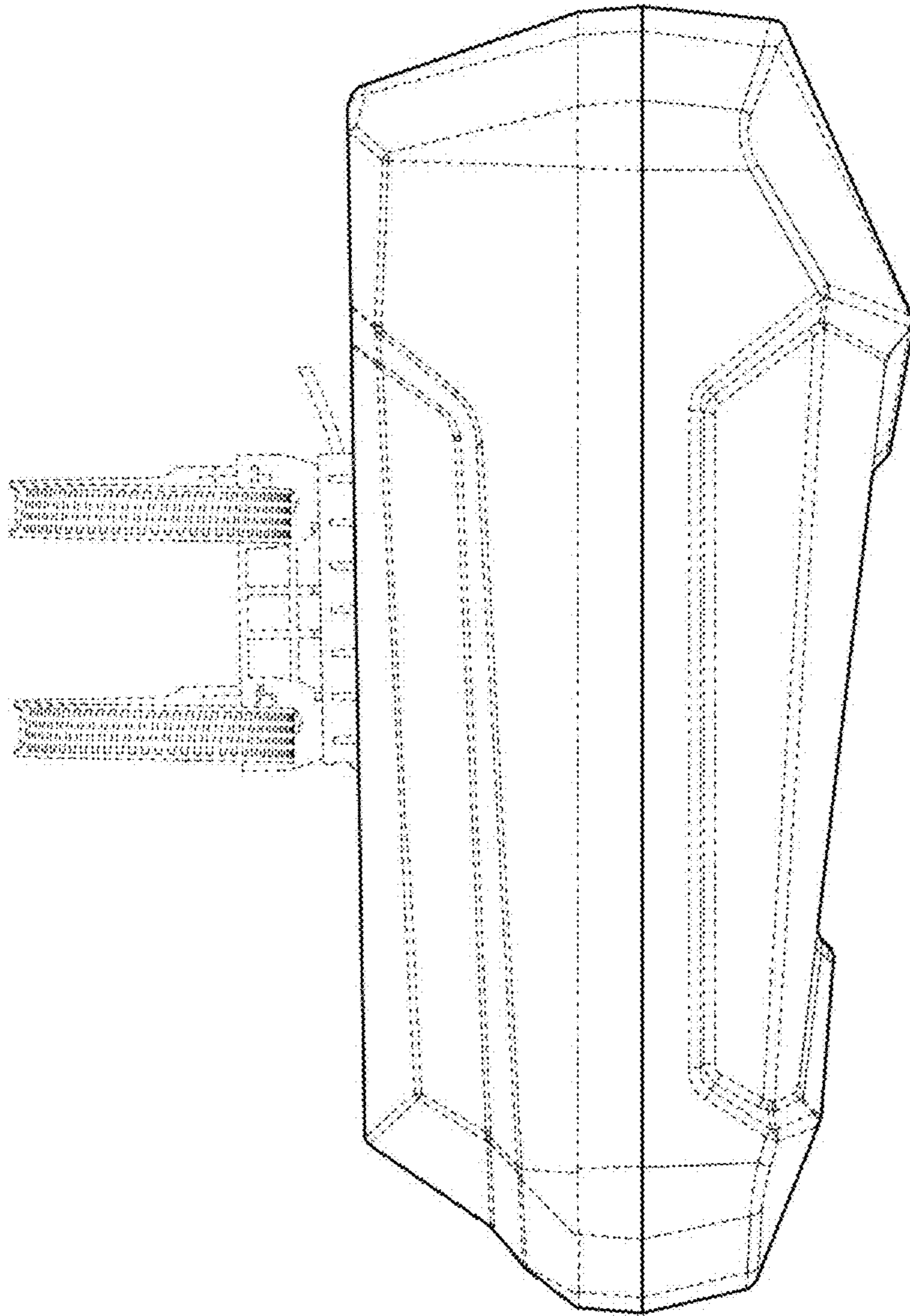


FIG.5

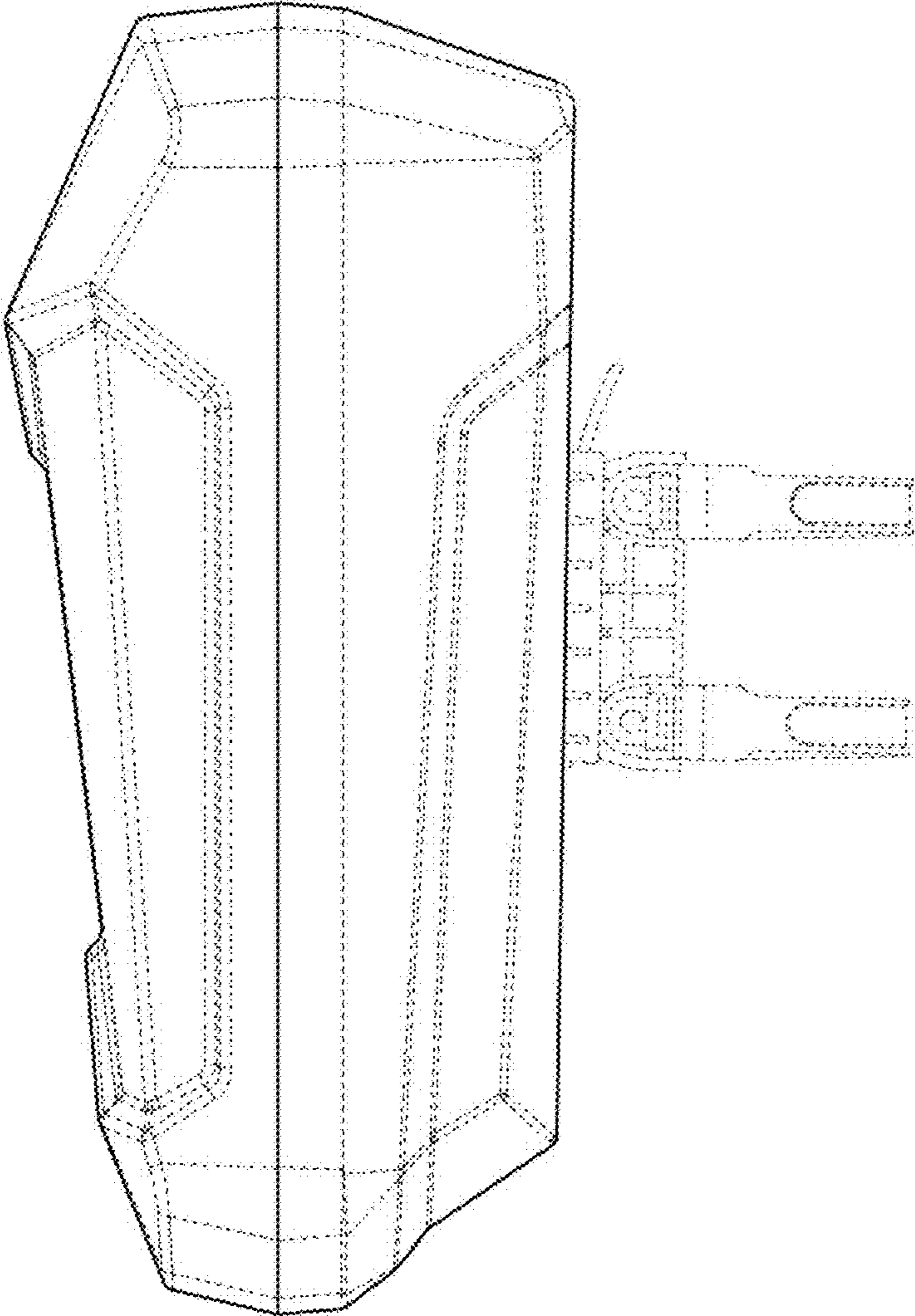


FIG.6

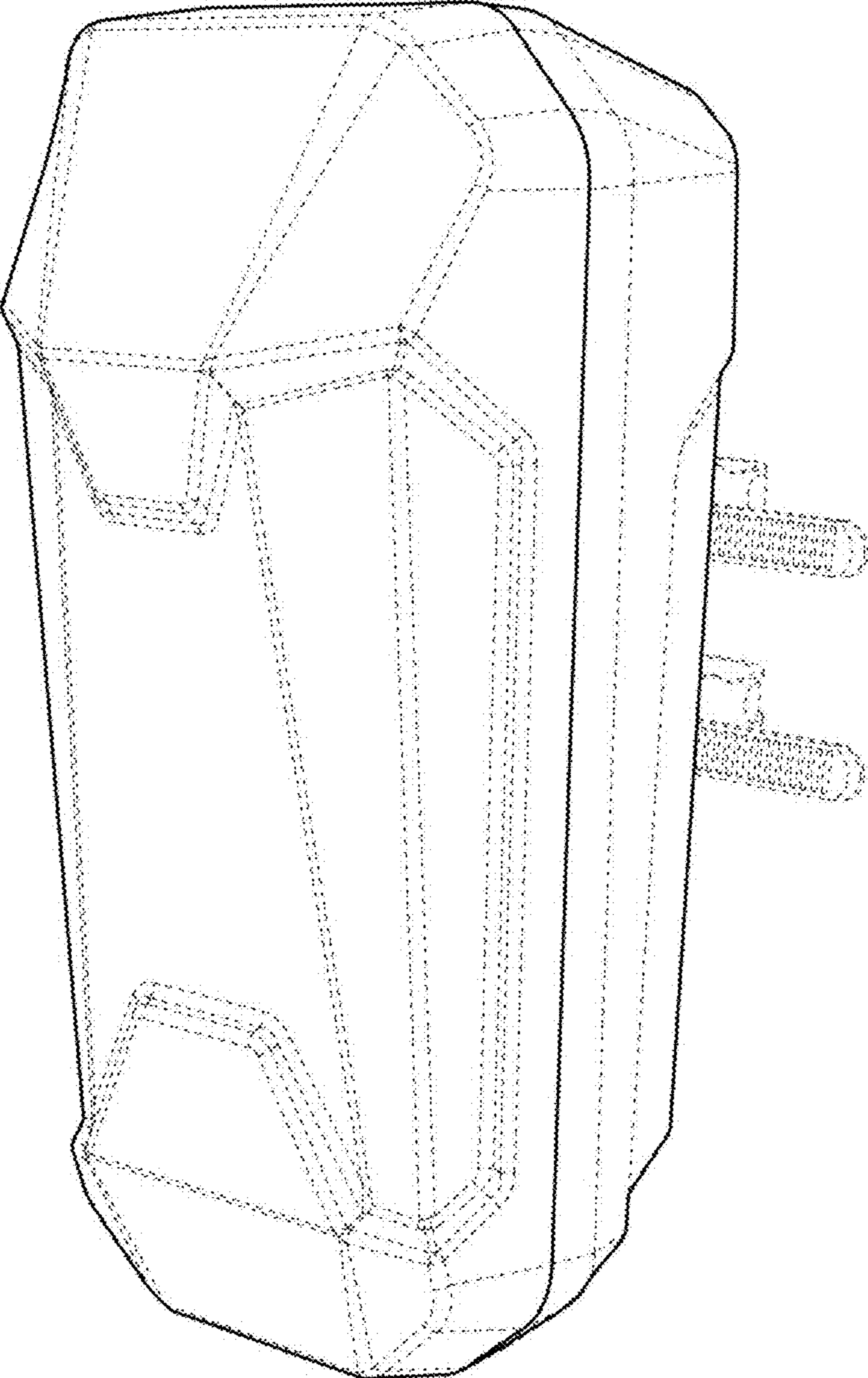


FIG.7