



US00D927400S

(12) **United States Design Patent** (10) **Patent No.:** **US D927,400 S**
Nunose et al. (45) **Date of Patent:** **** Aug. 10, 2021**

(54) **GAS DISCHARGE MEMBER OF THE DIE**

(56) **References Cited**

(71) Applicant: **Sanko Gosei Co., Ltd**, Nanto (JP)

U.S. PATENT DOCUMENTS

(72) Inventors: **Hiroki Nunose**, Nanto (JP); **Maki Kobayashi**, Nanto (JP); **Toshio Mitsushima**, Nanto (JP)

D633,857 S *	3/2011	Cervini	D12/415
D729,146 S *	5/2015	Cervini	D12/415
D773,380 S *	12/2016	Meissner	D12/415
9,925,700 B2 *	3/2018	Ozawa	B29B 11/16
2016/0200004 A1 *	7/2016	Ozawa	F16H 55/06 74/434

(73) Assignee: **Sanko Gosei Co., Ltd**, Toyama (JP)

* cited by examiner

(**) Term: **15 Years**

Primary Examiner — Katrina A Betton

(21) Appl. No.: **29/672,975**

(74) *Attorney, Agent, or Firm* — Sughrue Mion, PLLC

(22) Filed: **Dec. 11, 2018**

Related U.S. Application Data

(57) **CLAIM**

(62) Division of application No. 29/581,643, filed on Oct. 20, 2016, now Pat. No. Des. 856,260.

The ornamental design for a gas discharge member of the die, as shown and described.

(30) **Foreign Application Priority Data**

DESCRIPTION

Apr. 21, 2016	(JP)	2016-008754
Apr. 21, 2016	(JP)	2016-008755
Apr. 21, 2016	(JP)	2016-008756

FIG. 1 is a bottom view of our design for gas discharge member of the die;
FIG. 2 is a front view thereof;
FIG. 3 is a left side view thereof;
FIG. 4 is a top, front and right perspective view thereof;
FIG. 5 is a rear view thereof;
FIG. 6 is a right view thereof; and,
FIG. 7 is a top view thereof.

(51) **LOC (13) Cl.** **12-16**

(52) **U.S. Cl.**
USPC **D12/400**

(58) **Field of Classification Search**
USPC D12/400, 415
CPC B60R 11/02; B29C 33/10
See application file for complete search history.

1 Claim, 7 Drawing Sheets

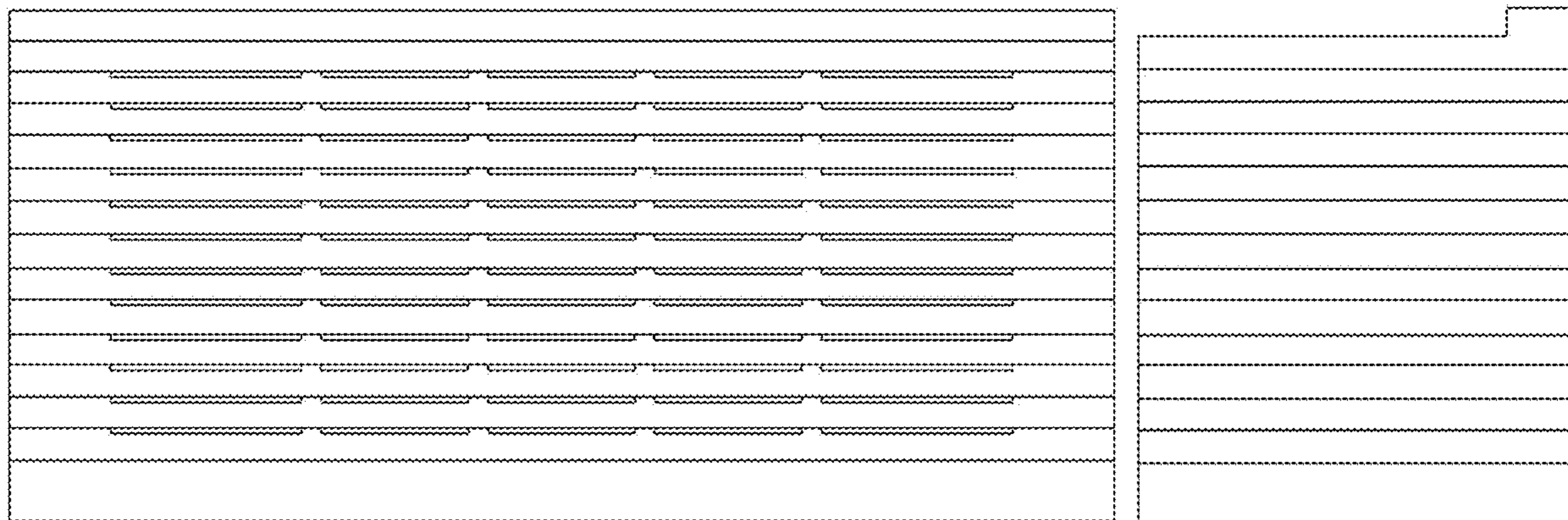


FIG. 1



FIG. 2

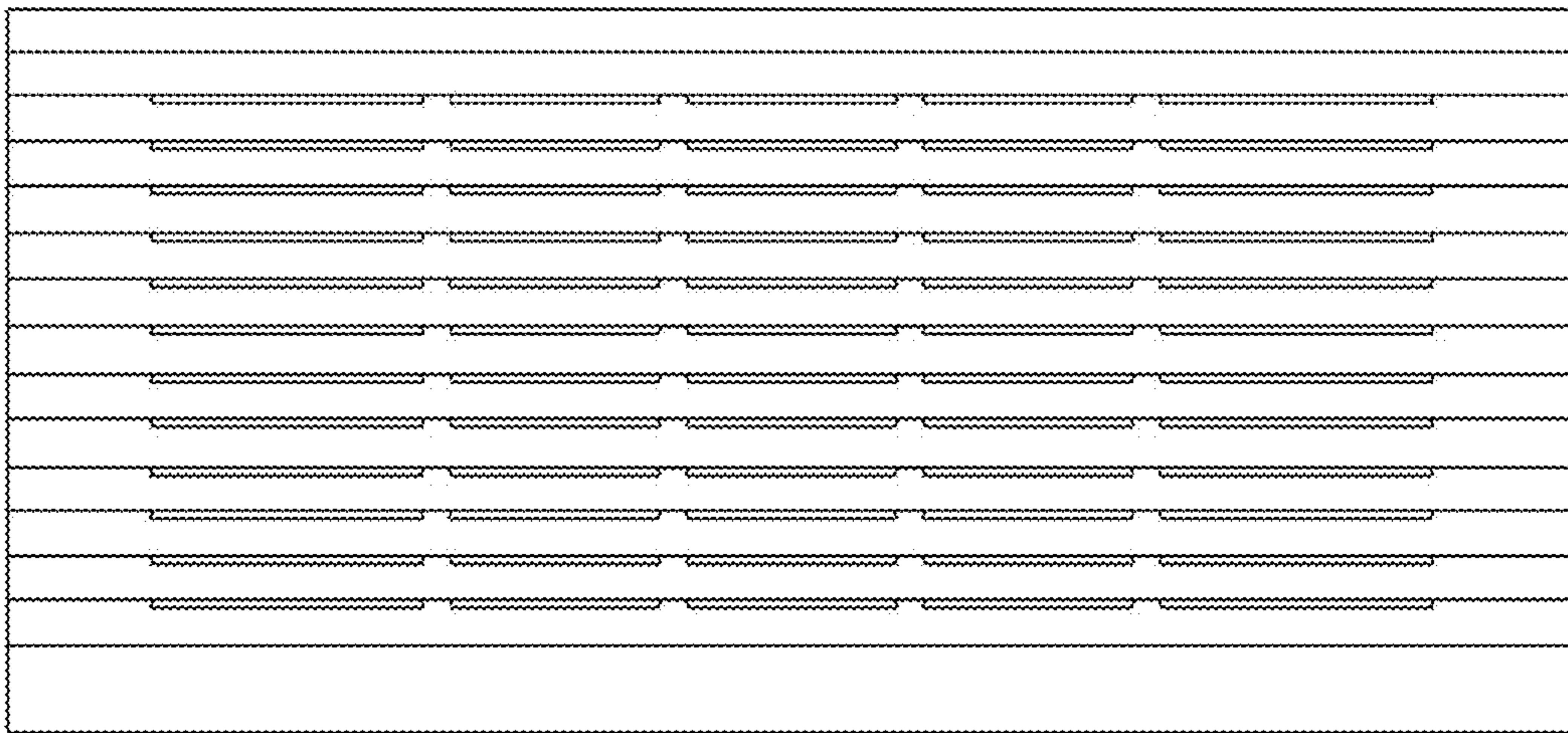


FIG. 3

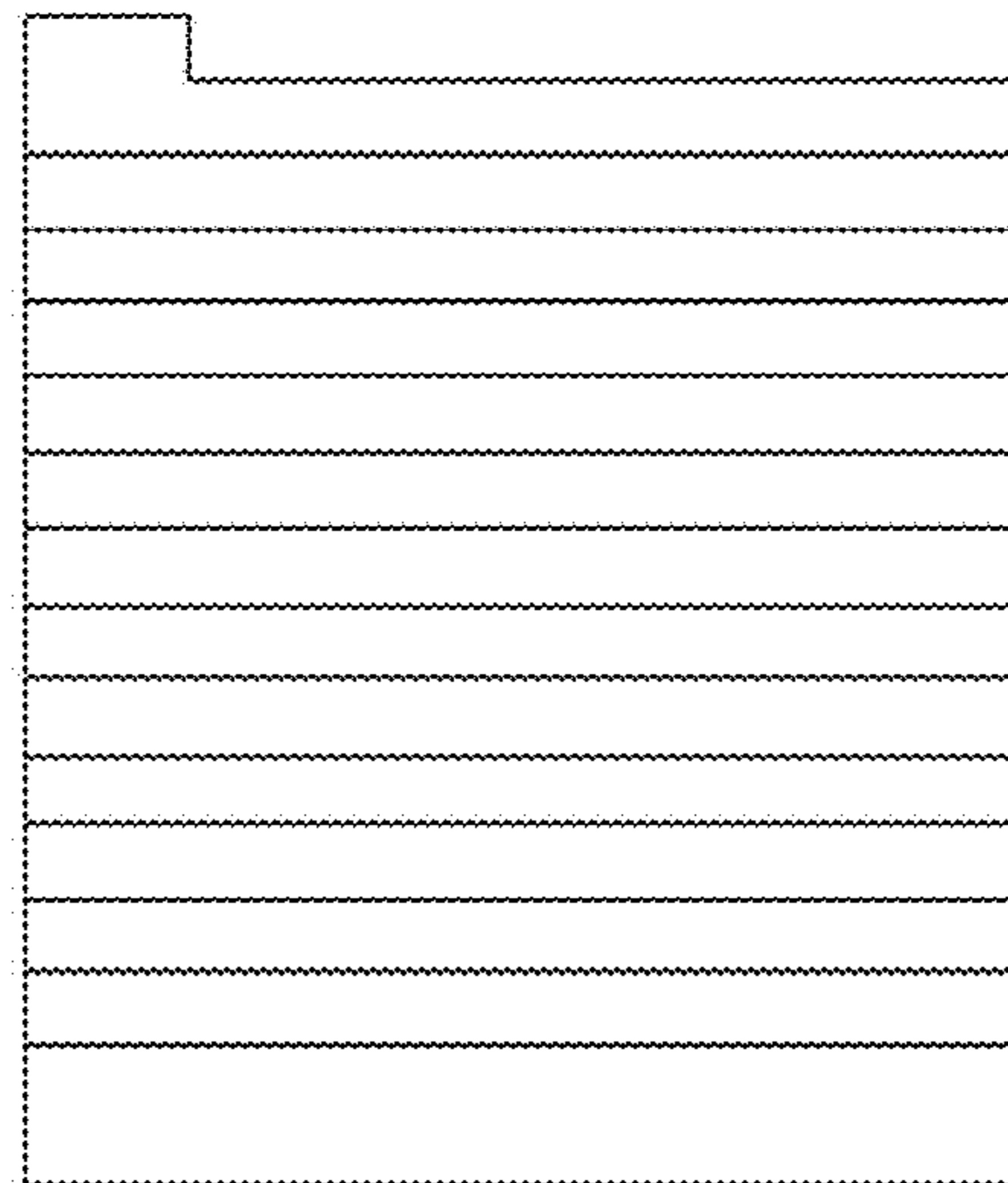


FIG. 4

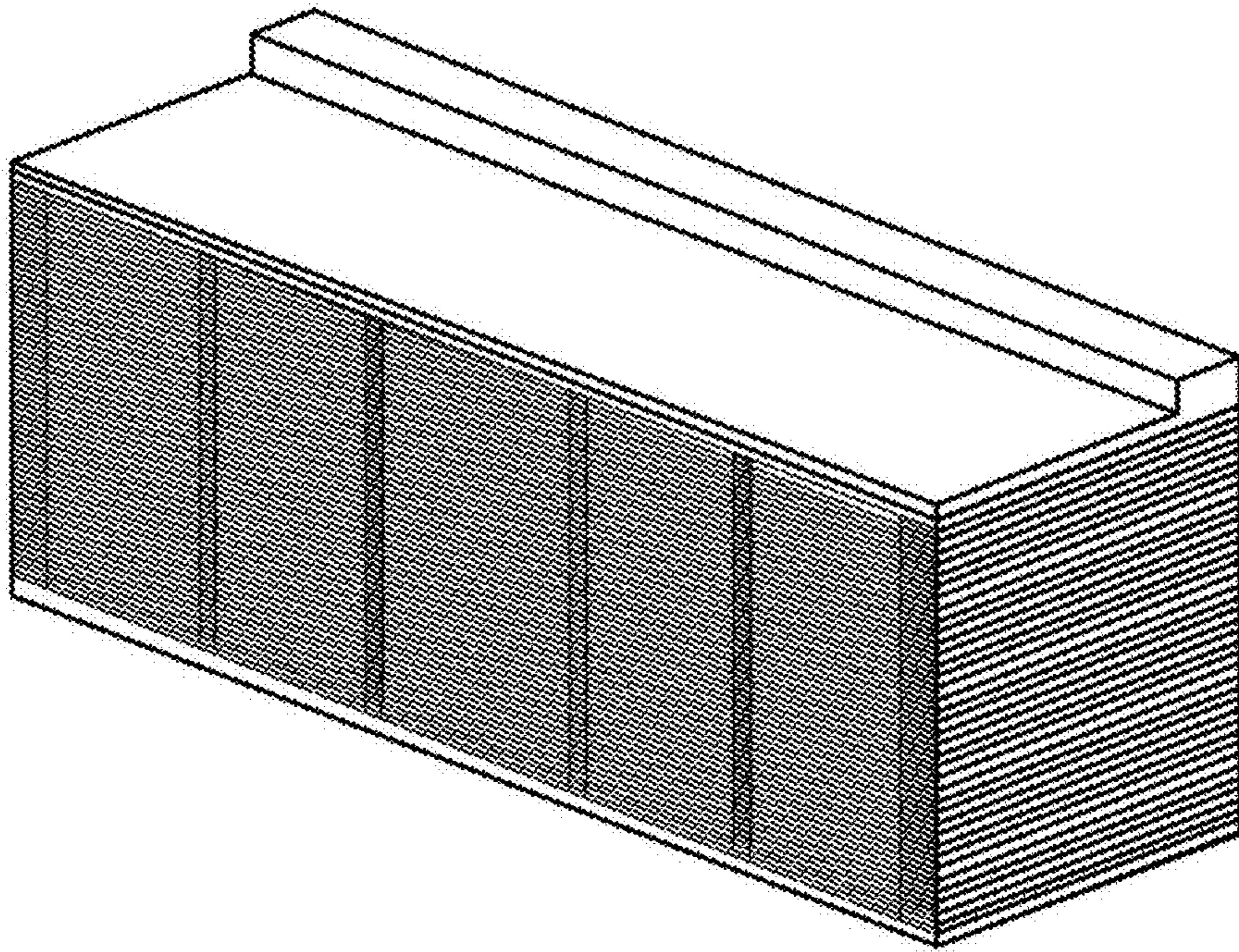


FIG. 5

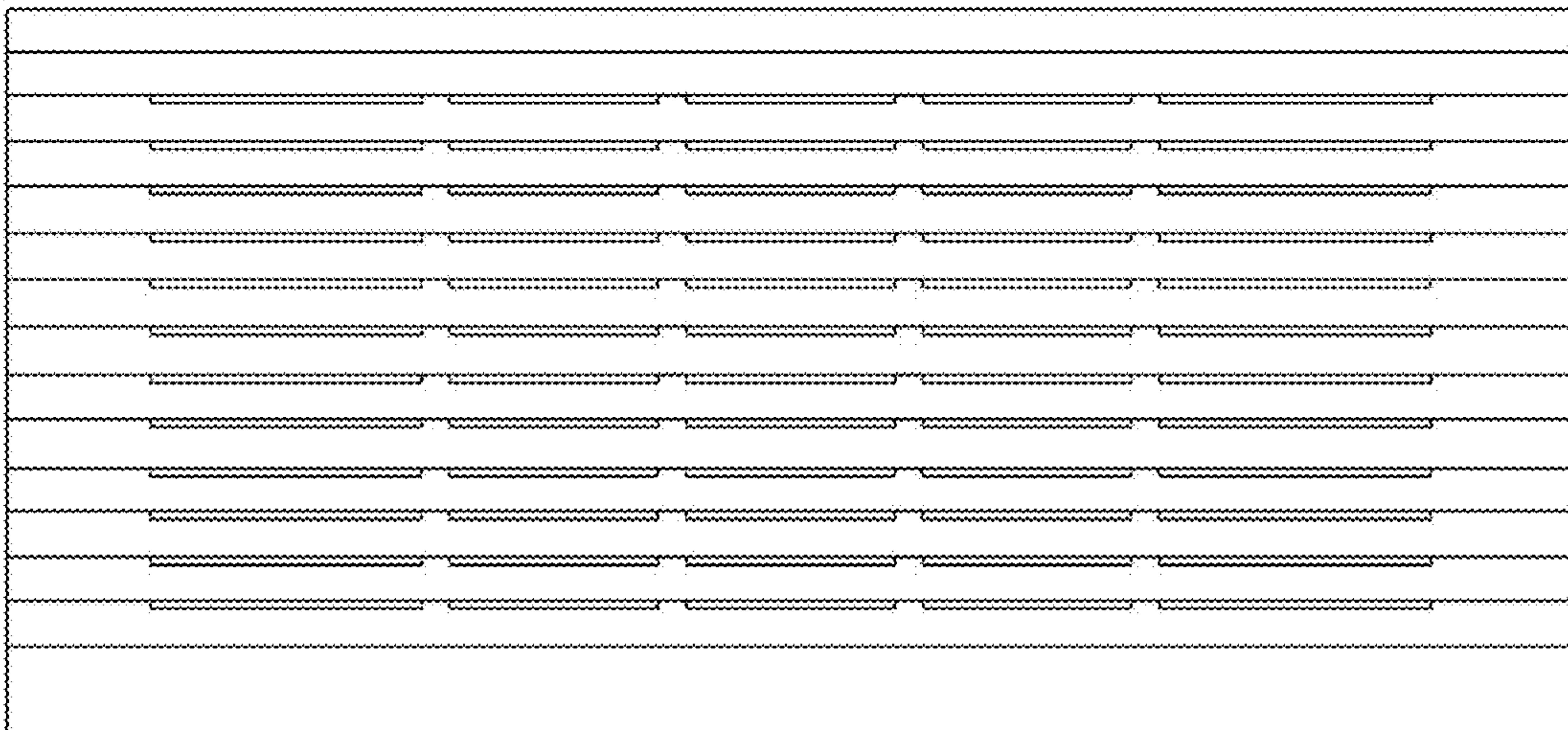


FIG. 6

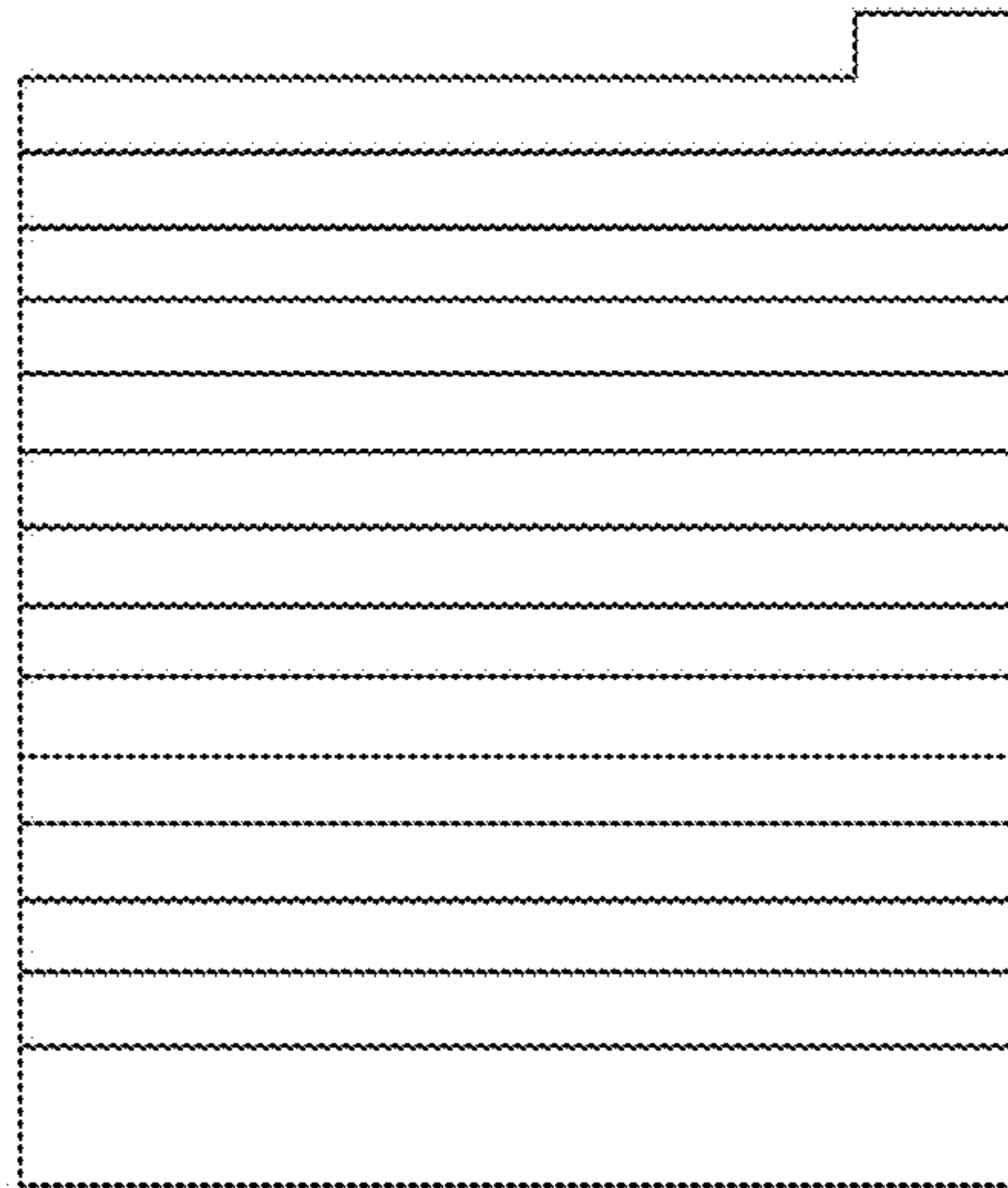


FIG. 7

