



US00D927399S

(12) **United States Design Patent**
Builder et al.

(10) **Patent No.:** **US D927,399 S**

(45) **Date of Patent:** **** Aug. 10, 2021**

- (54) **PLATFORM FOR YACHTS**
- (71) Applicant: **Nautibuoy Marine Limited**, Devon (GB)
- (72) Inventors: **Clay Livingston Builder**, Dartington (GB); **Nina Anderson**, Dartington (GB)
- (73) Assignee: **Nautibuoy Marine Limited**, Devon (GB)

D900,703 S *	11/2020	Builder	D12/316
D900,704 S *	11/2020	Builder	D12/316
D900,705 S *	11/2020	Builder	D12/316
D913,185 S *	3/2021	Builder	D12/316
D913,186 S *	3/2021	Builder	D12/316
D913,189 S *	3/2021	Builder	D12/316
D913,190 S *	3/2021	Builder	D12/316
D913,191 S *	3/2021	Builder	D12/316
D913,901 S *	3/2021	Builder	D12/316

(Continued)

(**) Term: **15 Years**

(21) Appl. No.: **29/709,488**

(22) Filed: **Oct. 15, 2019**

(51) **LOC (13) Cl.** **12-06**

(52) **U.S. Cl.**
USPC **D12/316**

(58) **Field of Classification Search**
USPC D12/223, 300, 305, 308, 309, 316, 317,
D12/318, 400; D21/542, 769, 801, 802,
D21/803, 810
CPC B63C 1/02; B63C 1/04; B63C 1/08; B63C
1/10; B63C 1/12; B63B 7/08; B63B
7/082; B63B 2737/00; B63B 2027/145;
B63B 2029/022

See application file for complete search history.

(56) **References Cited**

U.S. PATENT DOCUMENTS

2,549,597 A *	4/1951	Harris	A47C 27/087 5/711
4,371,999 A *	2/1983	Reid	A47C 27/087 5/711
D629,484 S *	12/2010	Jackson	D21/803
8,336,143 B2 *	12/2012	Lemmer	A47C 27/081 5/710
8,702,461 B1 *	4/2014	d'Offay	B63B 35/58 441/40
9,302,749 B1 *	4/2016	D'Offay	B63B 7/082
10,293,897 B2 *	5/2019	Ruiz	B63B 35/58
D900,702 S *	11/2020	Builder	D12/316

FOREIGN PATENT DOCUMENTS

EP 3489003 A1 * 5/2019 B29C 65/5057

OTHER PUBLICATIONS

Nautiboy Platform, Published on Apr. 23, 2015 [online], [retrieved on Feb. 26, 2021]. Retrieved from the Internet: <https://www.youtube.com/watch?v=4OQR73g-0Vc> (Year: 2015).*

Primary Examiner — Christian P. McLean

Assistant Examiner — Adam C Mager

(74) *Attorney, Agent, or Firm* — Optimus Patents US, LLC

(57) **CLAIM**

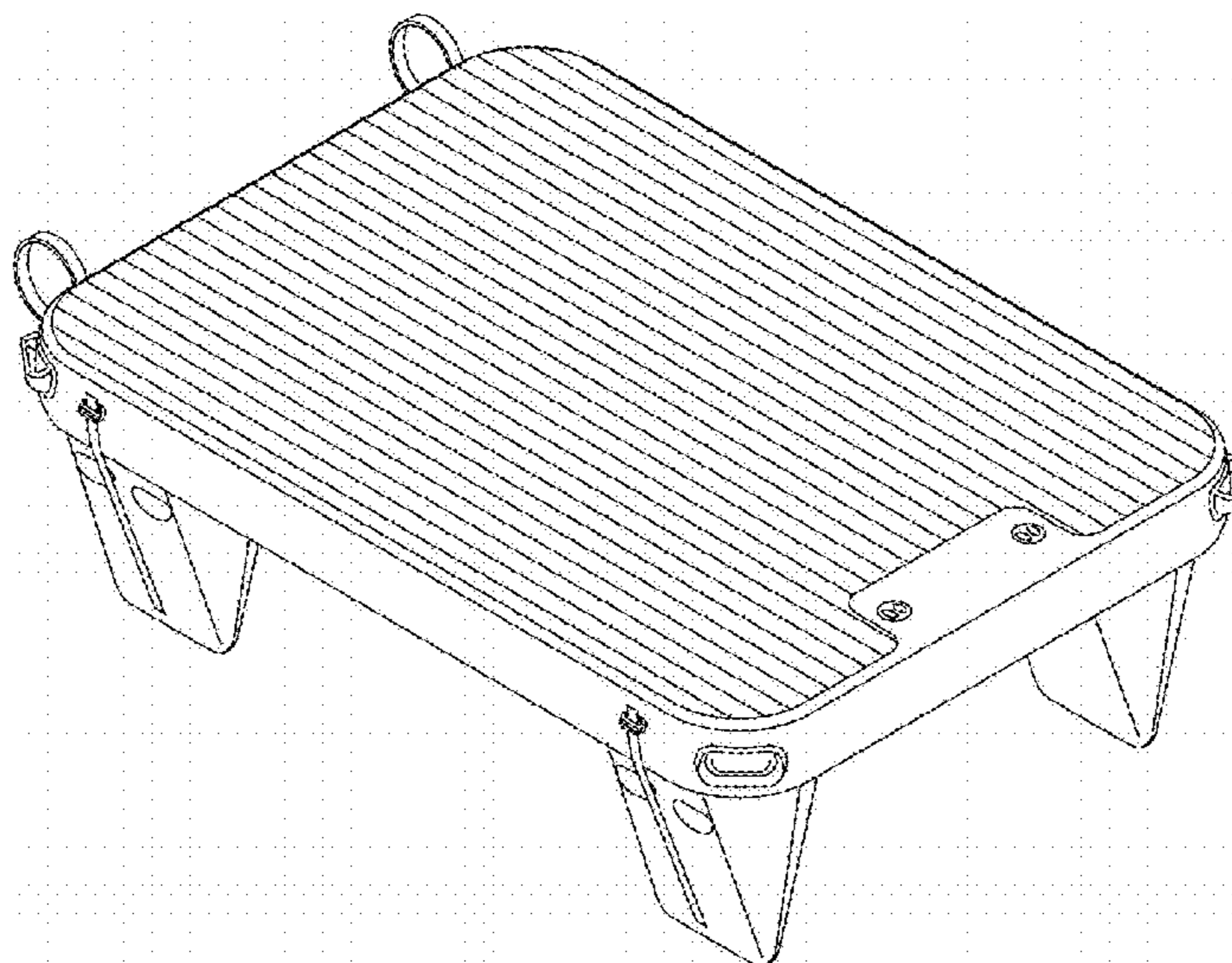
The ornamental design for a platform for yachts, as shown and described.

DESCRIPTION

FIG. 1 is a top perspective view of a platform for yachts; FIG. 2 is a top view thereof; FIG. 3 is a bottom view thereof; FIG. 4 is a left side view thereof; FIG. 5 is a right side view thereof; FIG. 6 is a front side view thereof; and, FIG. 7 is back side view thereof.

The broken lines are included for the purpose of illustrating portions of the platform for yachts that form no part of the claimed design.

1 Claim, 7 Drawing Sheets



(56)

References Cited

U.S. PATENT DOCUMENTS

2001/0036782 A1* 11/2001 Gredy B63B 21/00
441/129
2005/0208849 A1* 9/2005 Ferrara B63C 9/081
441/129

* cited by examiner

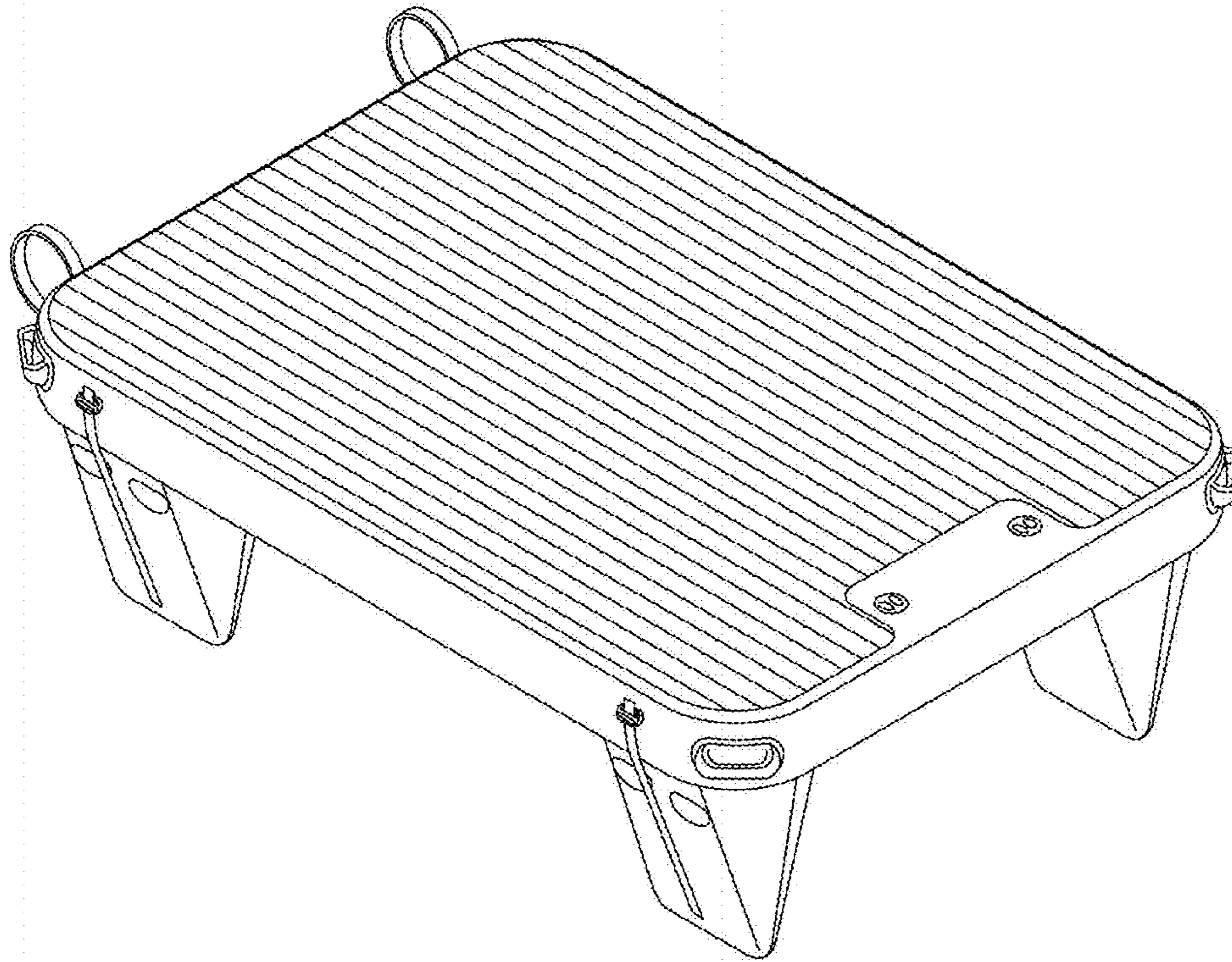


FIG. 1

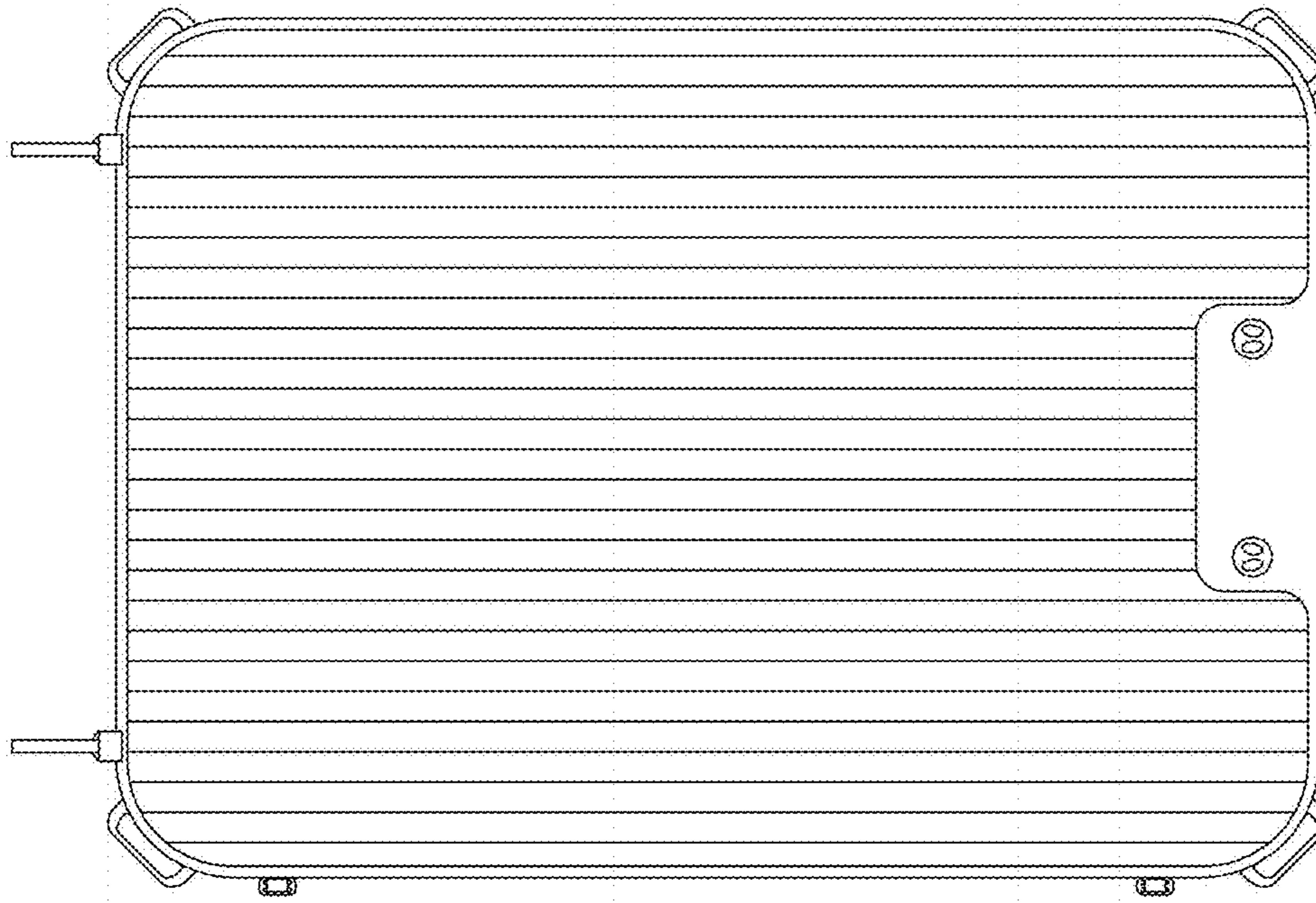


FIG. 2

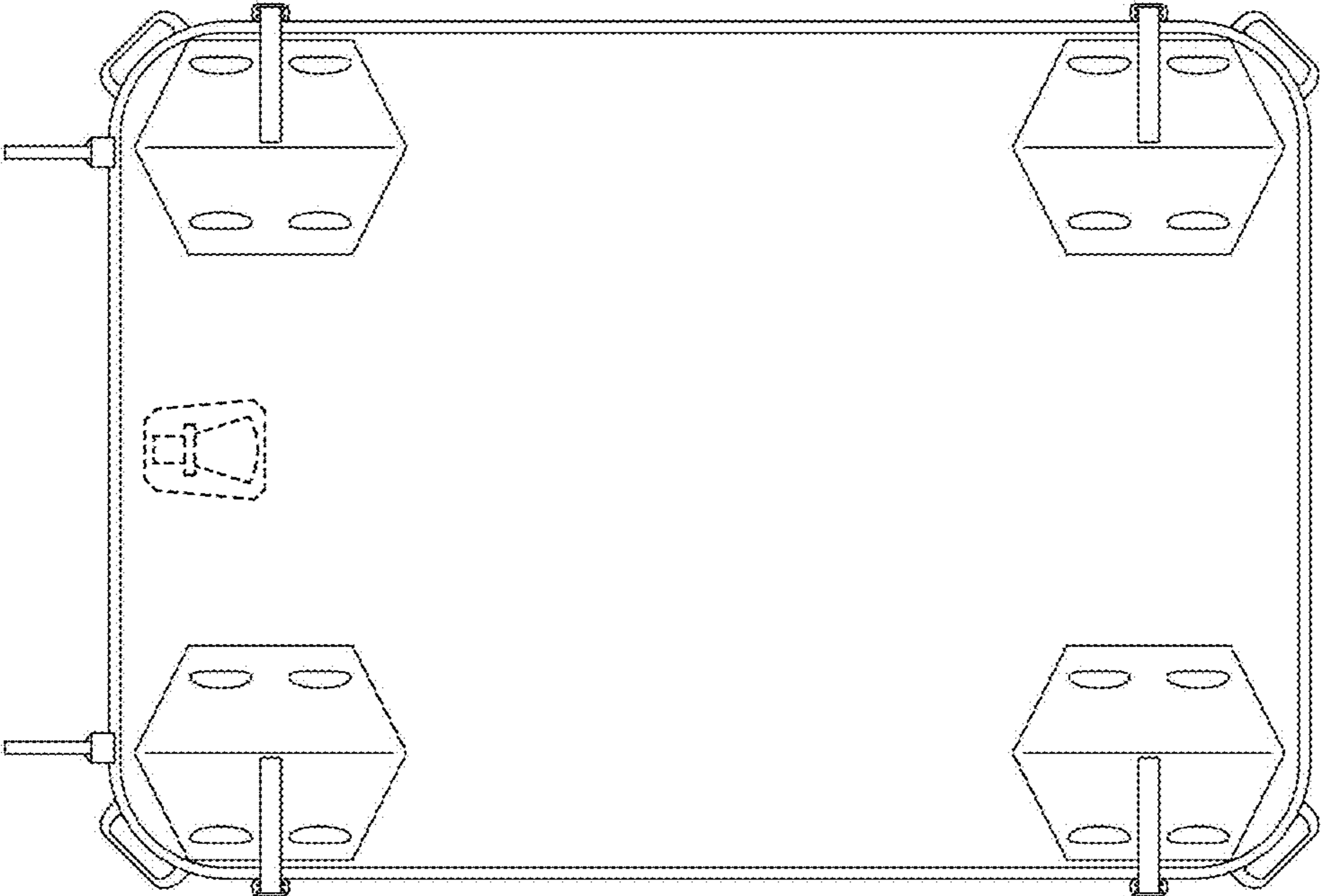


FIG. 3

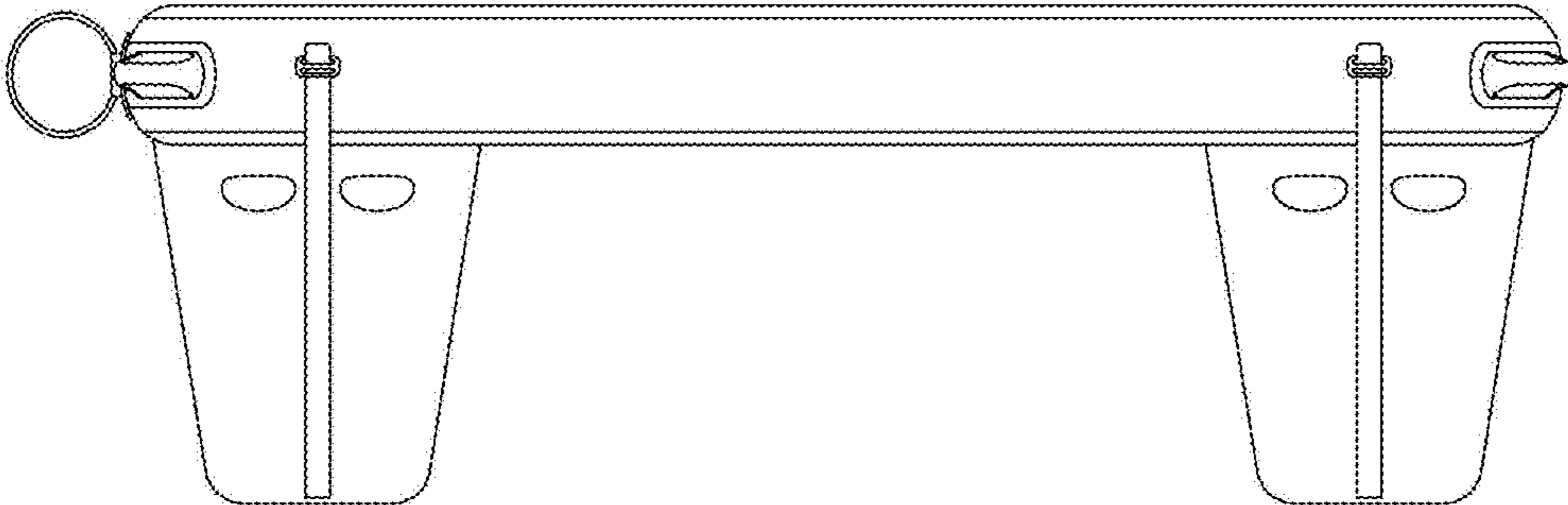


FIG. 4

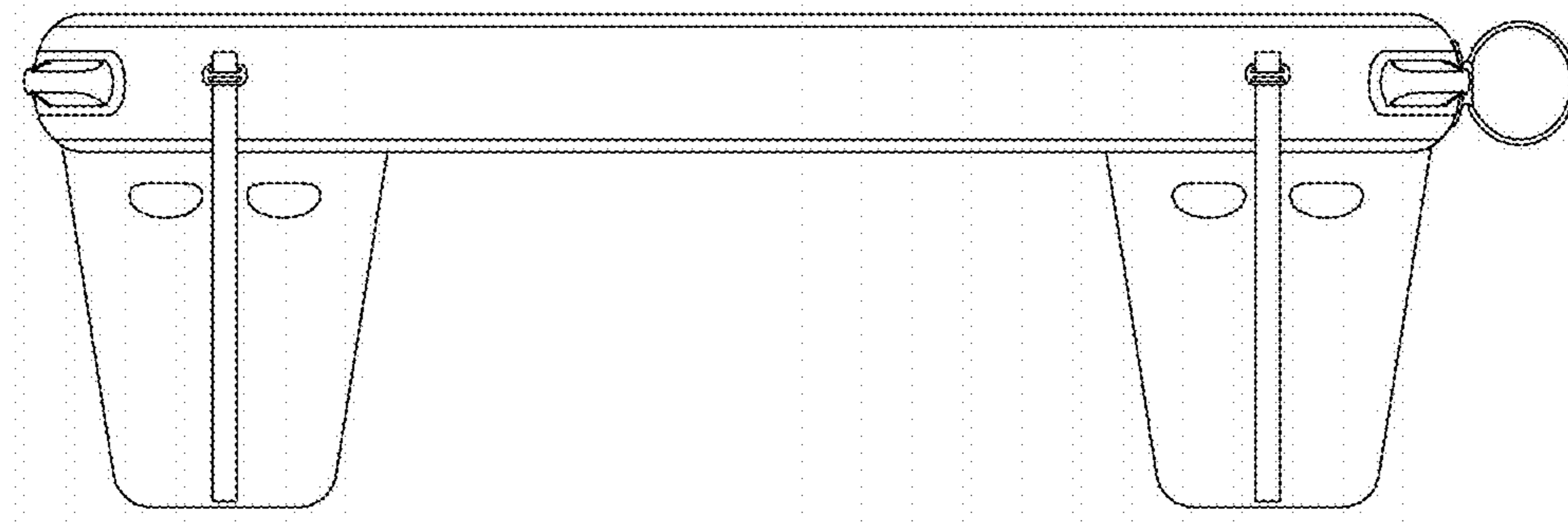


FIG. 5

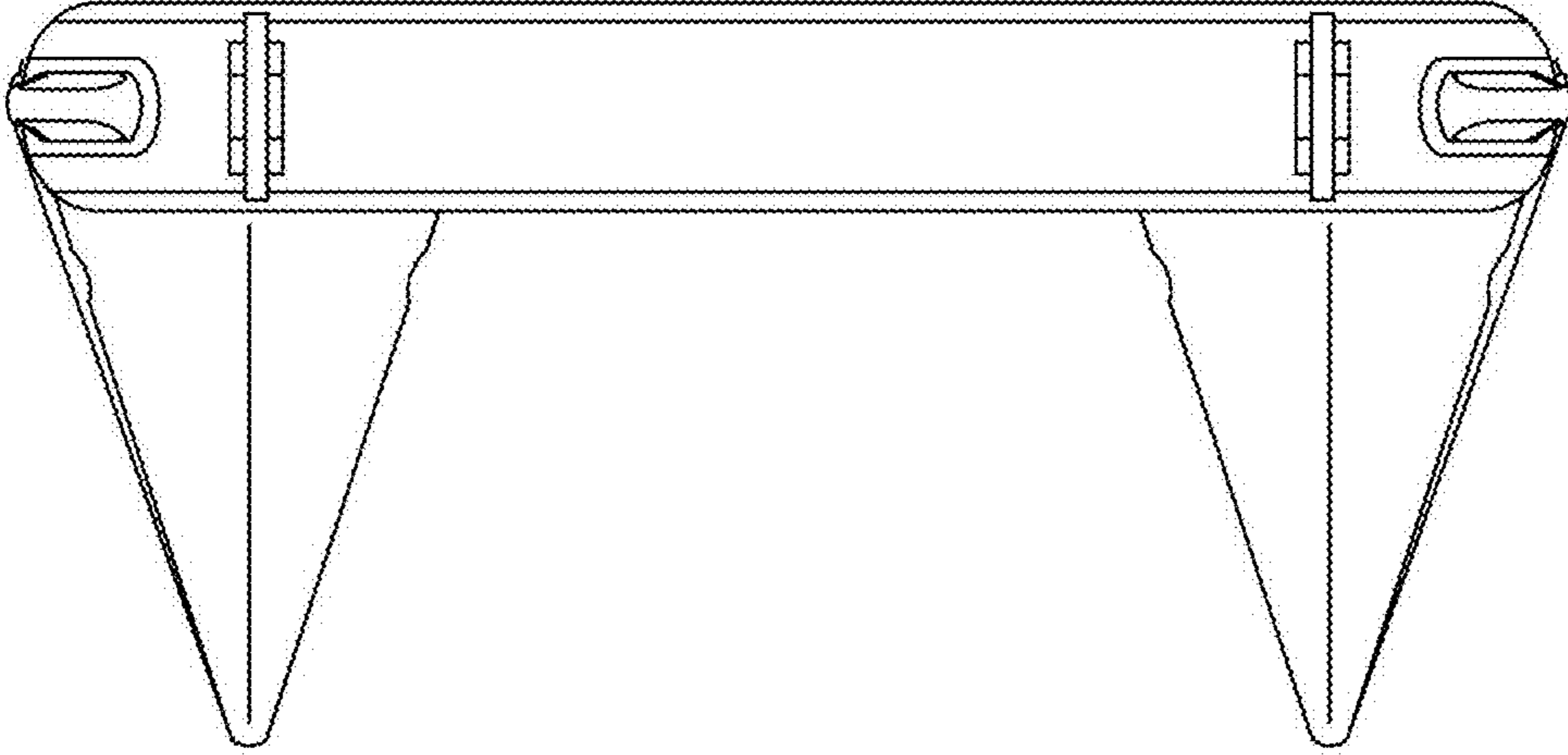


FIG. 6

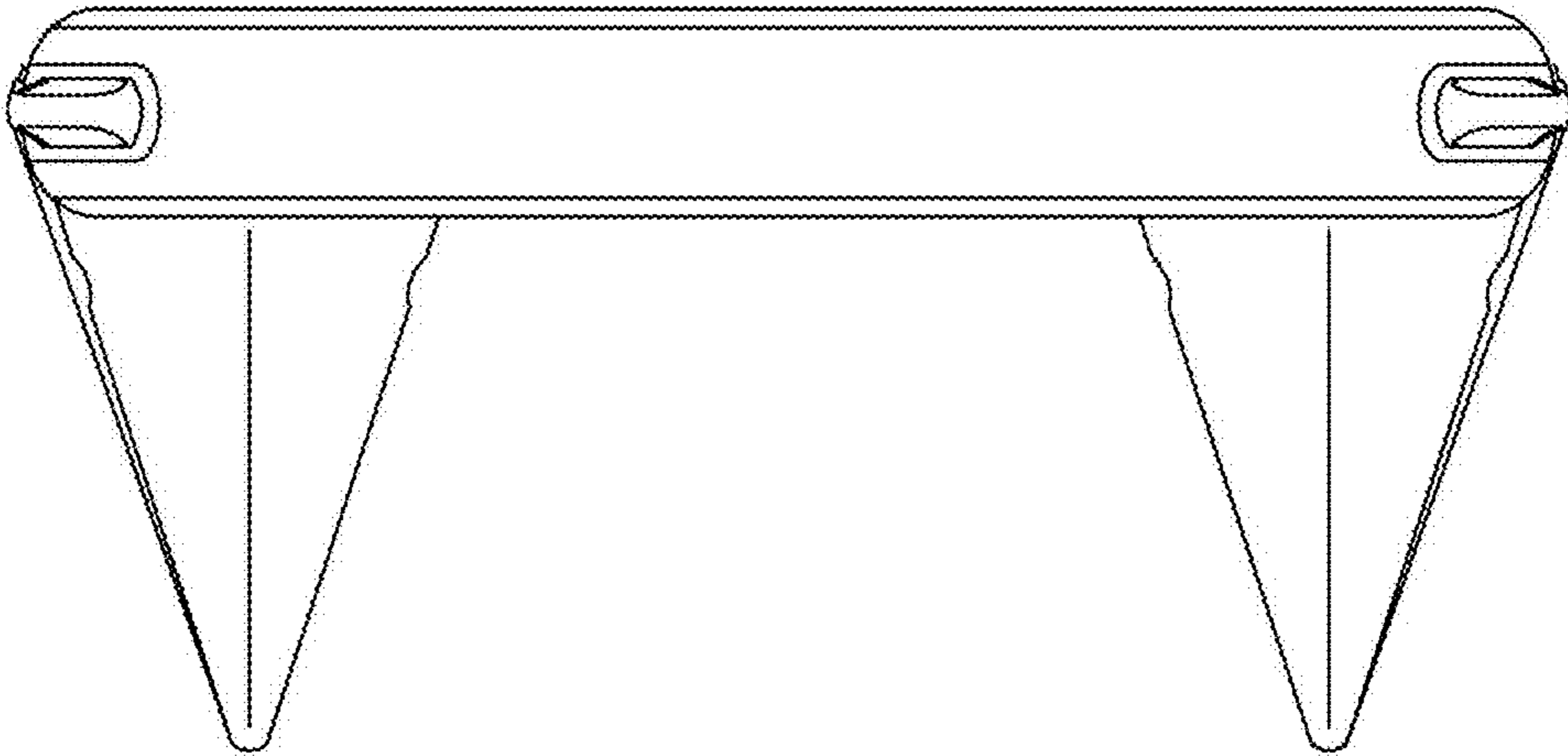


FIG. 7