



US00D927397S

(12) **United States Design Patent** (10) **Patent No.:** **US D927,397 S**
Lee (45) **Date of Patent:** **** Aug. 10, 2021**

(54) **AUTOMOTIVE WHEEL**
(71) Applicant: **Angela Lee**, Chicago, IL (US)
(72) Inventor: **Angela Lee**, Chicago, IL (US)
(**) Term: **15 Years**
(21) Appl. No.: **29/741,530**
(22) Filed: **Jul. 14, 2020**
(51) **LOC (13) Cl.** **12-16**
(52) **U.S. Cl.**
USPC **D12/211**
(58) **Field of Classification Search**
USPC D12/204–213; D21/563
CPC B60B 7/00; B60B 7/02; B60B 7/04; B60B
7/01; B60B 7/06; B60B 3/02; B60B 3/04;
B60B 3/06; B60B 3/10; B60B 1/00;
B60B 1/08; B60B 1/10; B60B 1/12
See application file for complete search history.

D763,163 S *	8/2016	Chung	D12/211
D775,049 S *	12/2016	Scheer	D12/211
D780,659 S *	3/2017	Liffick	D12/211
D791,674 S *	7/2017	Valencia Pollex	D12/211
D817,841 S *	5/2018	Chung	D12/209
D842,202 S *	3/2019	Han	D12/209
D845,862 S *	4/2019	Kong	D12/209
D848,927 S *	5/2019	Kleinschuster	D12/211
D849,658 S *	5/2019	Licklitter	D12/211
D860,095 S *	9/2019	Milani	D12/209
D862,343 S *	10/2019	He	D12/209
D868,664 S *	12/2019	Dewitt	D12/211
D896,721 S *	9/2020	Lee	D12/209
D901,352 S *	11/2020	Zhang	D12/209
D908,585 S *	1/2021	Mukti	D12/211
D917,368 S *	4/2021	Kaneko	D12/211

* cited by examiner

Primary Examiner — Stacia A Cadmus

(57) **CLAIM**

I claim the ornamental design for an automotive wheel, as shown and described.

(56) **References Cited**

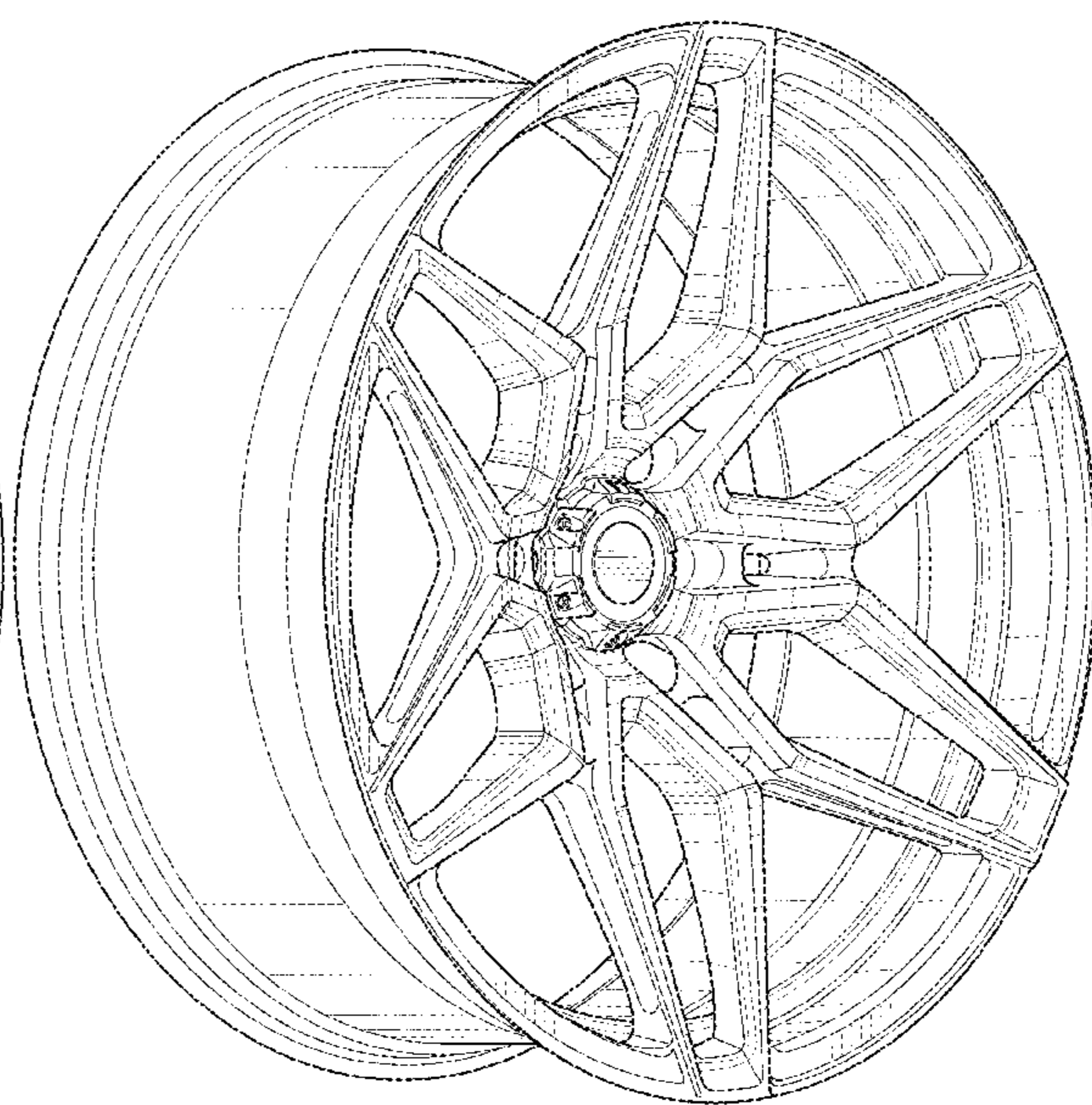
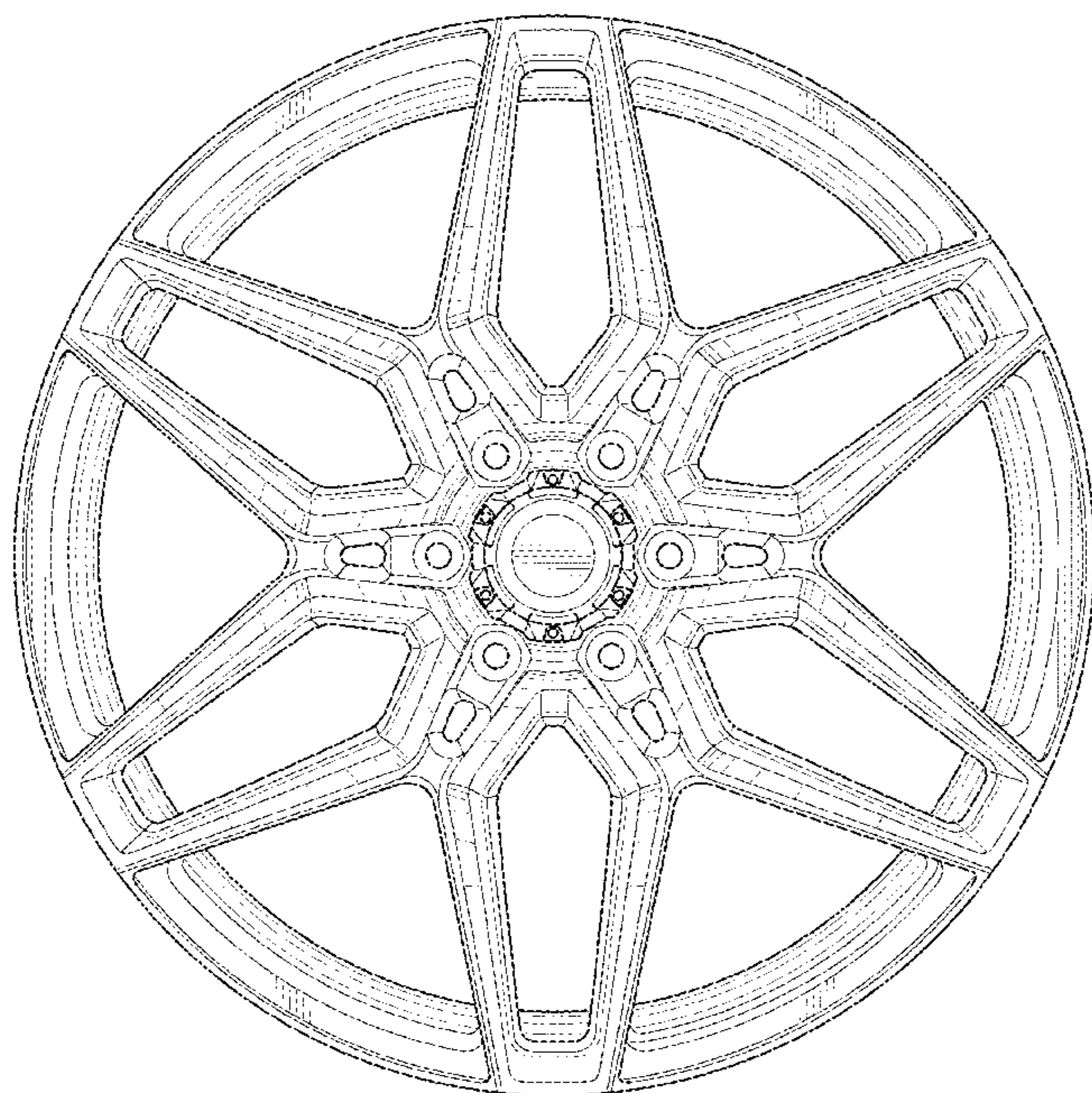
U.S. PATENT DOCUMENTS

D527,335 S *	8/2006	Kim	D12/211
D528,062 S *	9/2006	Hosoi	D12/211
D630,992 S *	1/2011	Cortes	D12/211
D727,829 S *	4/2015	Chung	D12/211
D736,135 S *	8/2015	Grake	D12/211
D753,573 S *	4/2016	Watkin	D12/211
D758,279 S *	6/2016	Platto	D12/211

DESCRIPTION

FIG. 1 is a front view of the automotive wheel of my claimed design; and, FIG. 2 is a perspective view of the automotive wheel of FIG. 1.

1 Claim, 2 Drawing Sheets



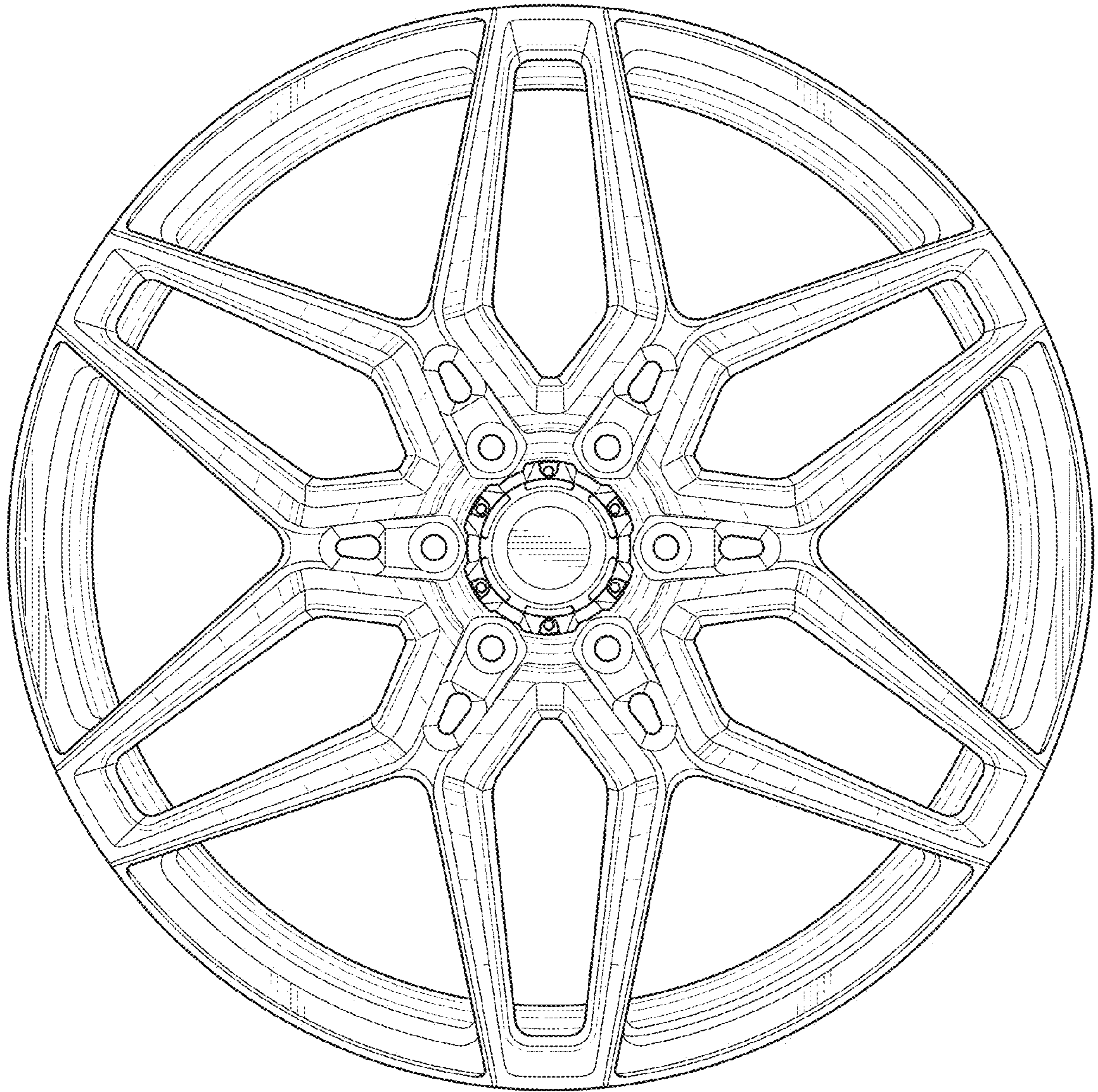


FIG. 1

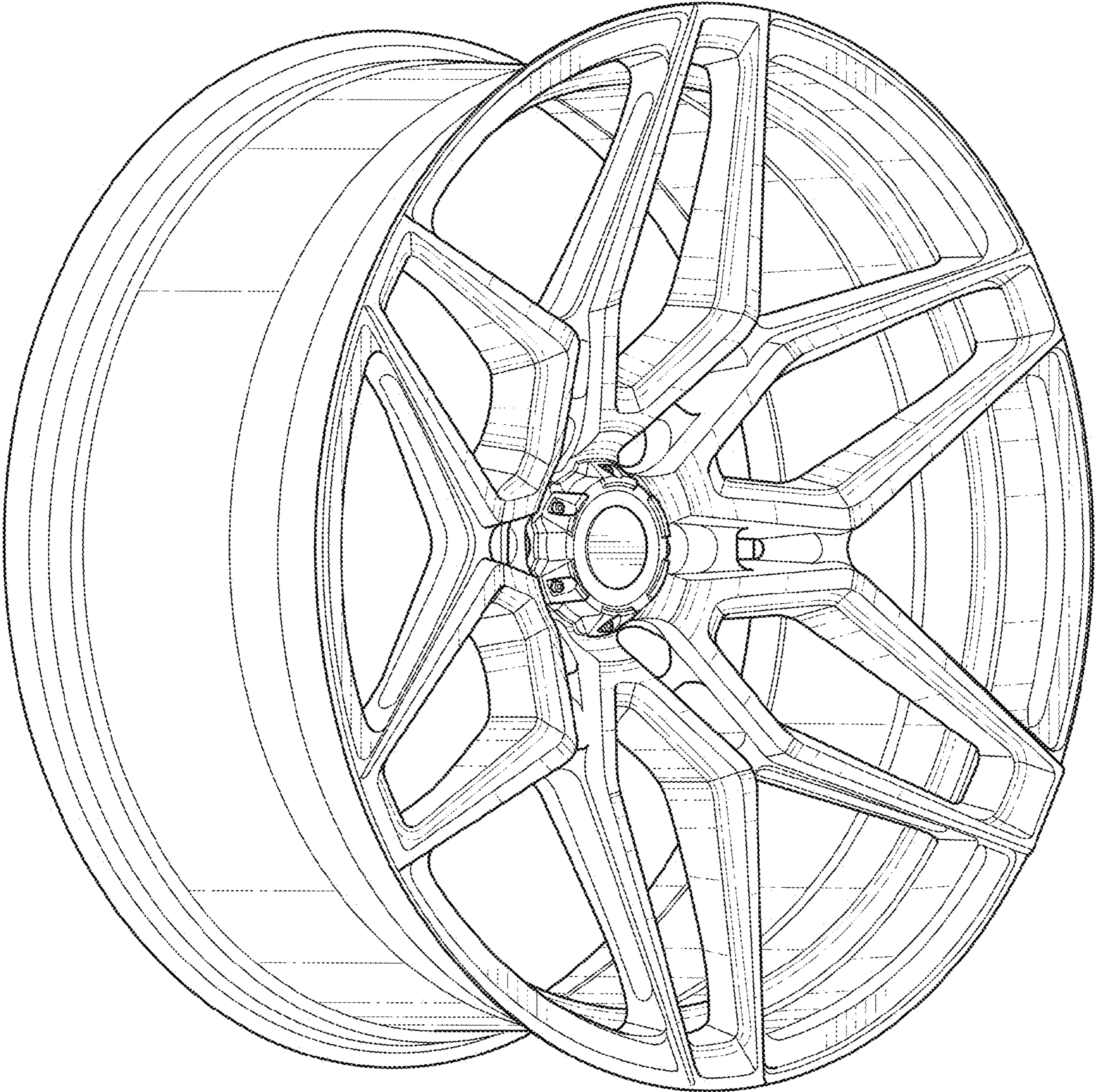


FIG. 2