



US00D927394S

(12) **United States Design Patent**
Xia

(10) **Patent No.:** **US D927,394 S**

(45) **Date of Patent:** **** Aug. 10, 2021**

(54) **VEHICLE WHEEL**

(71) Applicant: **CITIC Dicastal Co., Ltd.**,
Qinhuangdao (CN)

(72) Inventor: **Shizhuo Xia**, Qinhuangdao (CN)

(73) Assignee: **CITIC Dicastal Co., Ltd.**,
Qinhuangdao (CN)

(**) Term: **15 Years**

(21) Appl. No.: **29/732,765**

(22) Filed: **Apr. 27, 2020**

(30) **Foreign Application Priority Data**

Mar. 16, 2020 (CN) 202030086766.2

(51) **LOC (13) Cl.** **12-16**

(52) **U.S. Cl.**
USPC **D12/209**

(58) **Field of Classification Search**
USPC D12/204–213; D21/563
CPC B60B 7/00; B60B 7/02; B60B 7/04; B60B
7/01; B60B 7/06; B60B 3/02; B60B 3/04;
B60B 3/06; B60B 3/10; B60B 1/00;
B60B 1/08; B60B 1/10; B60B 1/12
See application file for complete search history.

(56) **References Cited**

U.S. PATENT DOCUMENTS

D436,911 S *	1/2001	Chung	D12/211
D477,556 S *	7/2003	Koch	D12/211
D486,772 S *	2/2004	Warming	D12/211
D513,728 S *	1/2006	Yazawa	D12/211
D593,476 S *	6/2009	Juergens	D12/211

D619,071 S *	7/2010	Christensen	D12/211
D620,871 S *	8/2010	Juergens	D12/211
D628,948 S *	12/2010	Chung	D12/211
D634,692 S *	3/2011	Stefanov	D12/211
D673,494 S *	1/2013	Lemke	D12/209
D726,089 S *	4/2015	Hodges	D12/211
D734,233 S *	7/2015	Wheel	D12/209
D739,329 S *	9/2015	Watkin	D12/211
D745,842 S *	12/2015	Wheel	D12/209
D760,138 S *	6/2016	Henderson	D12/209
D781,205 S *	3/2017	O'Neill	D12/211
D792,309 S *	7/2017	Wolff	D12/211
D798,787 S *	10/2017	Song	D12/211
D823,217 S *	7/2018	Chung	D12/209
D846,475 S *	4/2019	Lucas	D12/209
D850,351 S *	6/2019	Wheel	D12/211
D862,348 S *	10/2019	Woodhouse	D12/209
D877,035 S *	3/2020	Park	D12/211
D894,073 S *	8/2020	Woodhouse	D12/209
D894,074 S *	8/2020	Woodhouse	D12/209
D899,996 S *	10/2020	O'Neill	D12/209
D908,575 S *	1/2021	Wheel	D12/209

* cited by examiner

Primary Examiner — Stacia A Cadmus

(74) *Attorney, Agent, or Firm* — IPro, PLLC

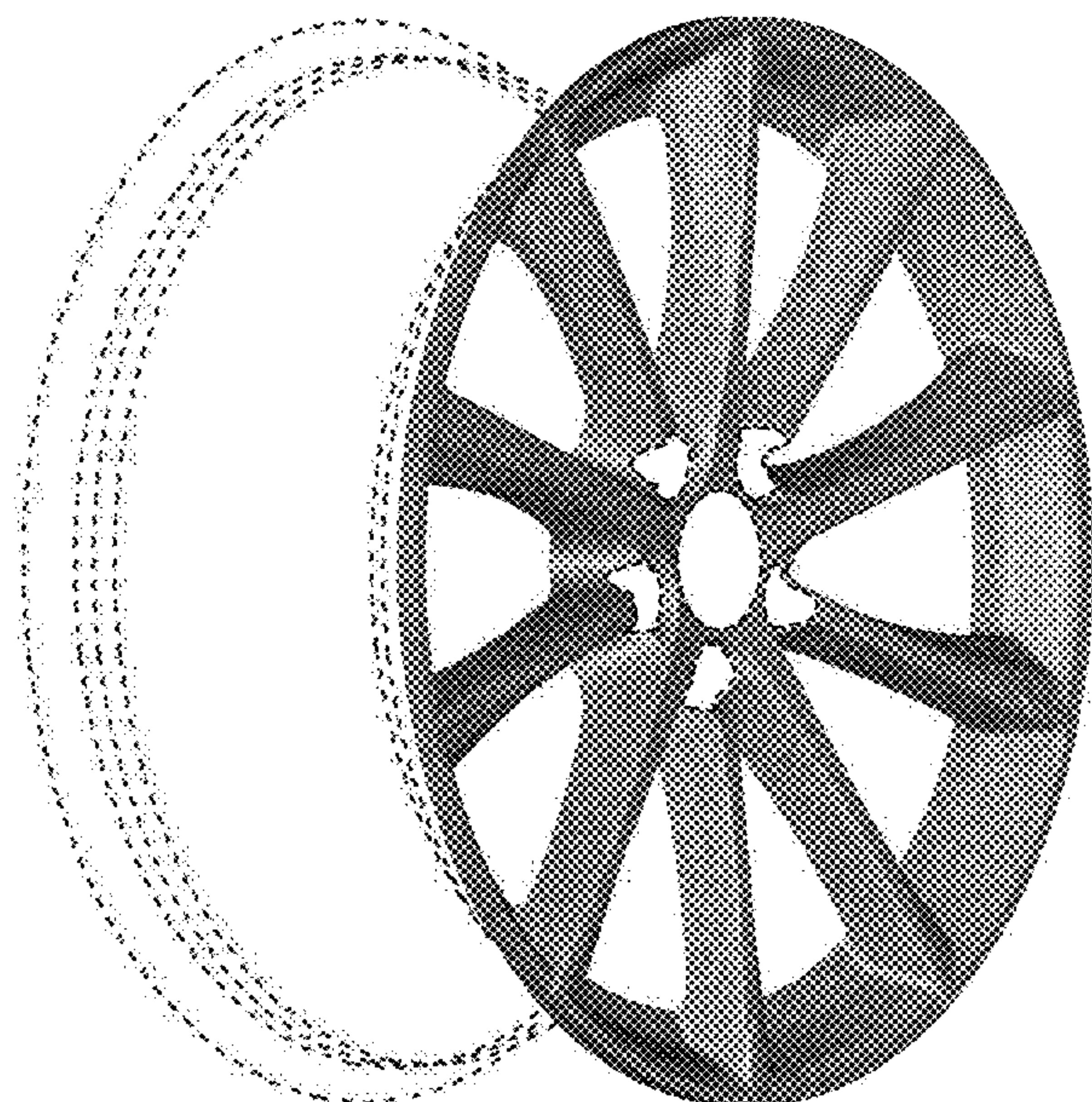
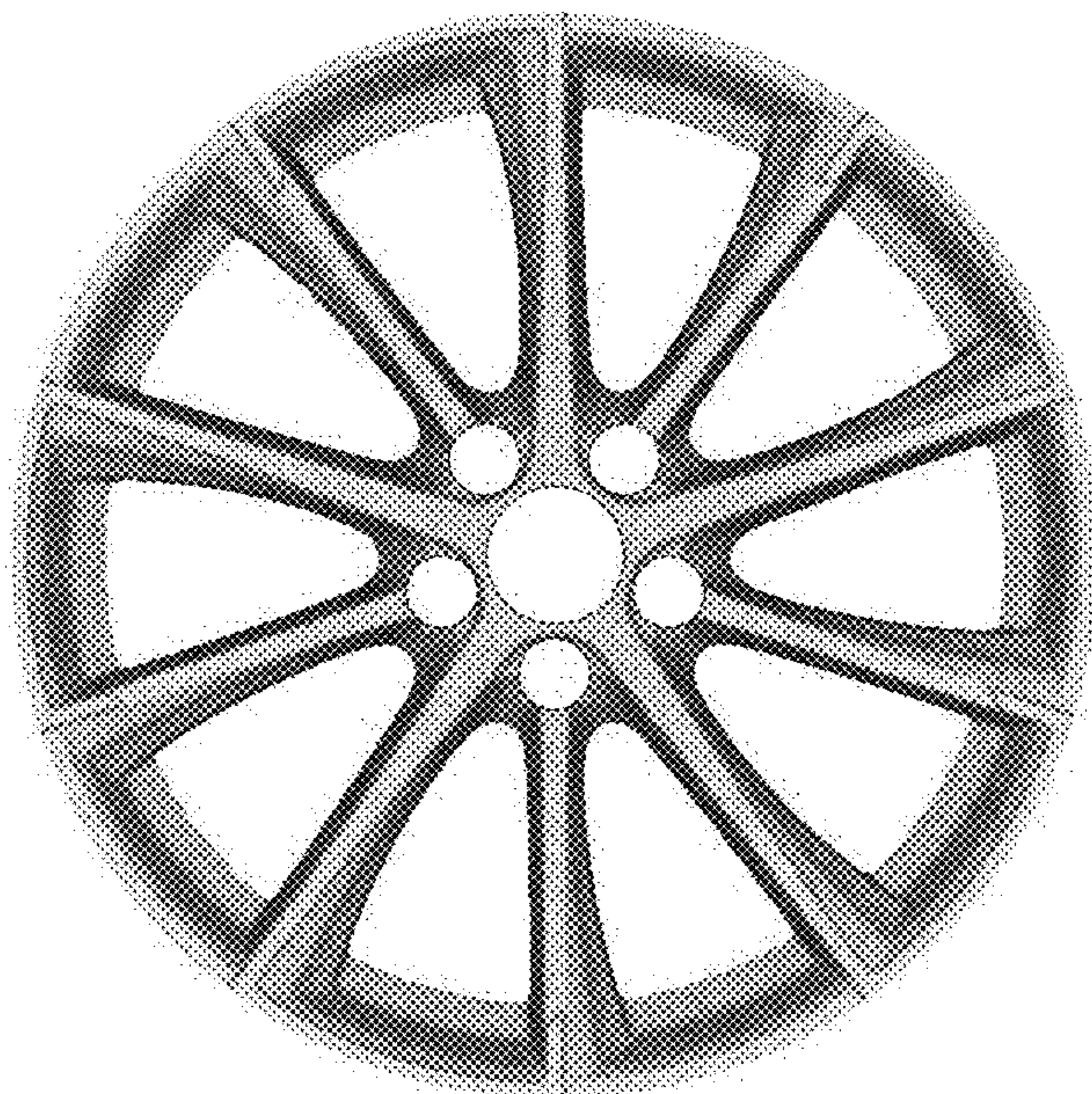
(57) **CLAIM**

The ornamental design for a vehicle wheel, as shown and described.

DESCRIPTION

FIG. 1 is a front view of a vehicle wheel.
FIG. 2 is a perspective view of the vehicle wheel; and,
FIG. 3 is a left side view of the vehicle wheel.
In the drawings the broken lines depict portions of the wheel that form no part of the claimed design.

1 Claim, 3 Drawing Sheets



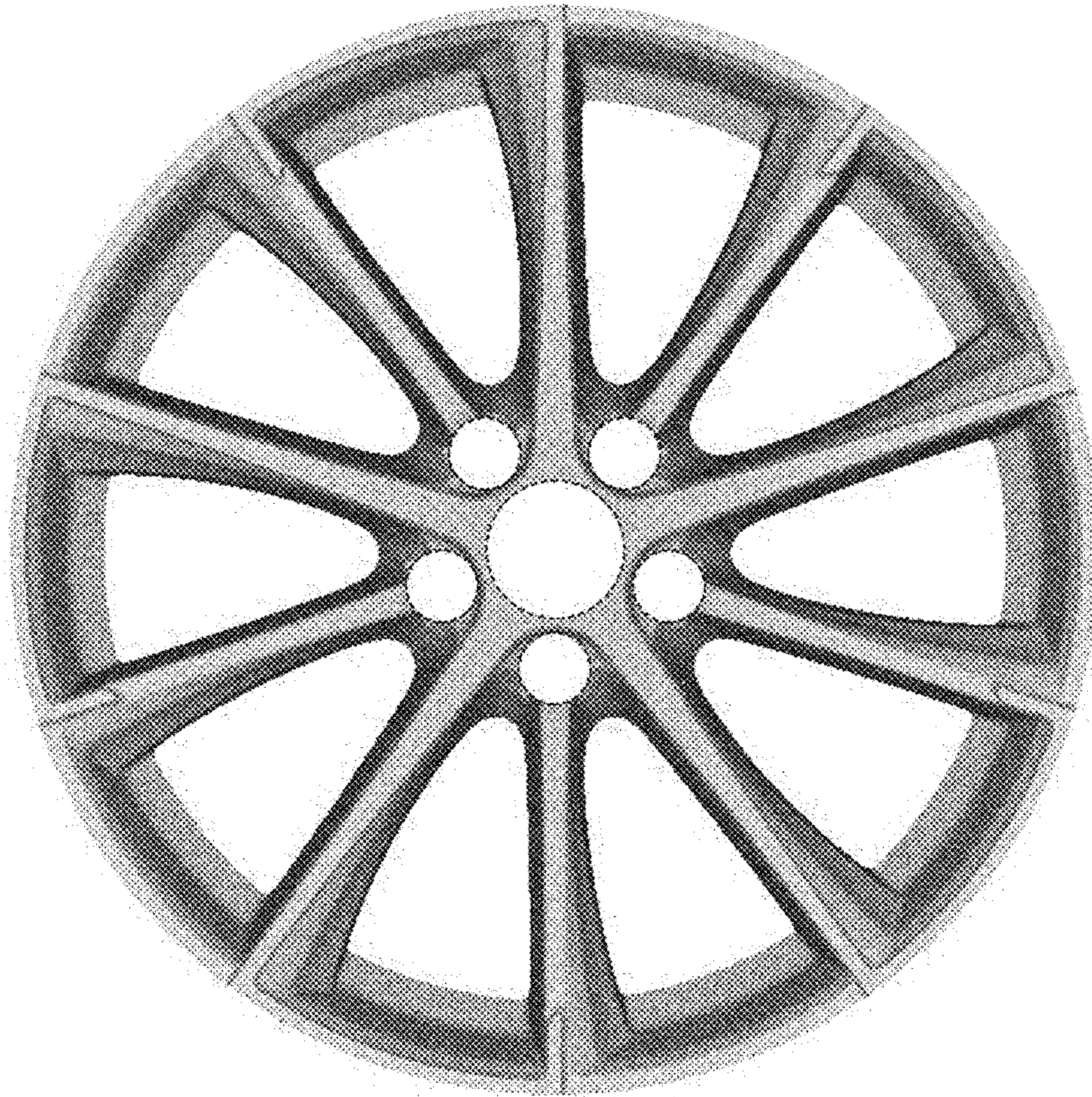


FIG. 1

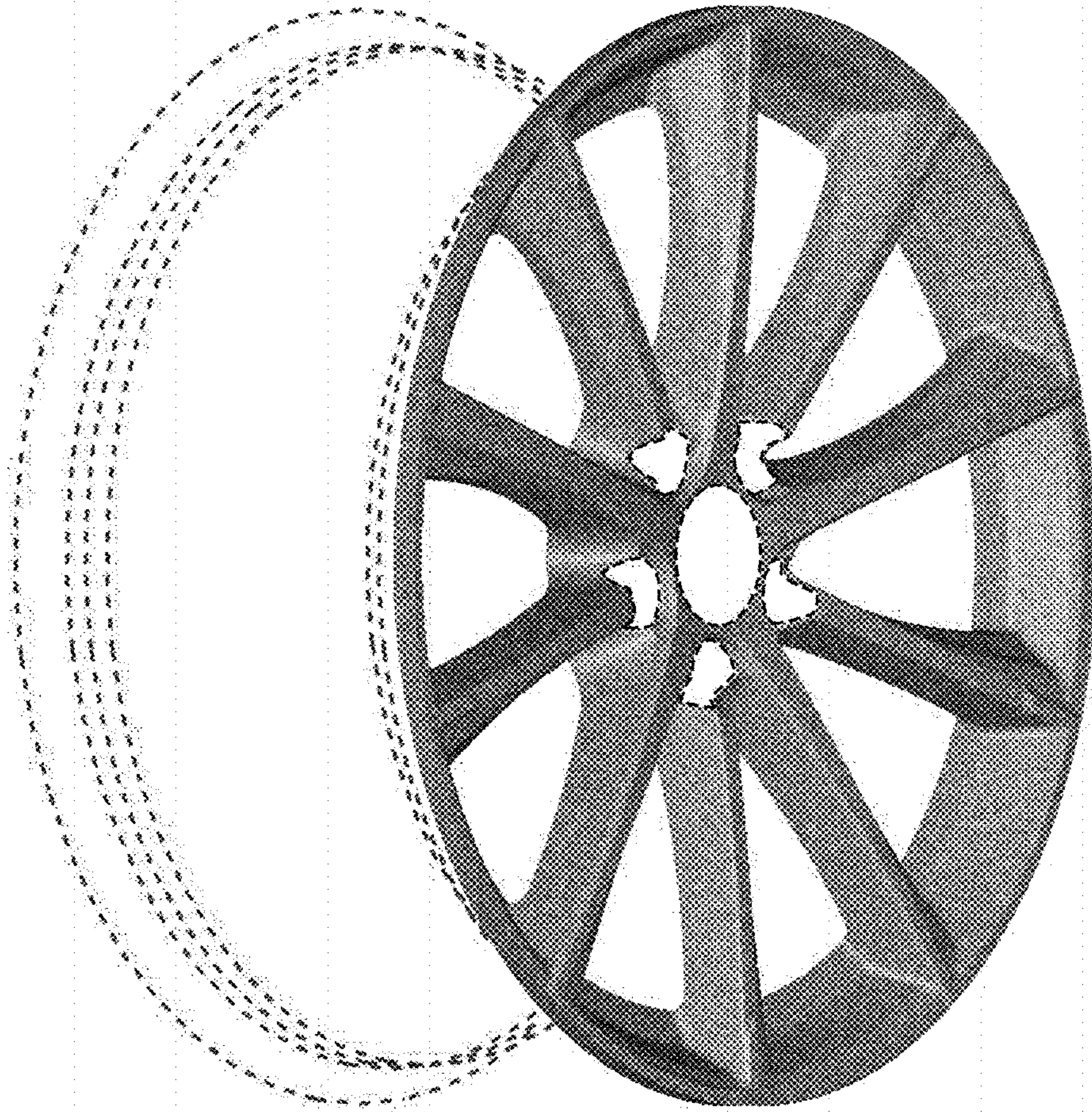


FIG. 2

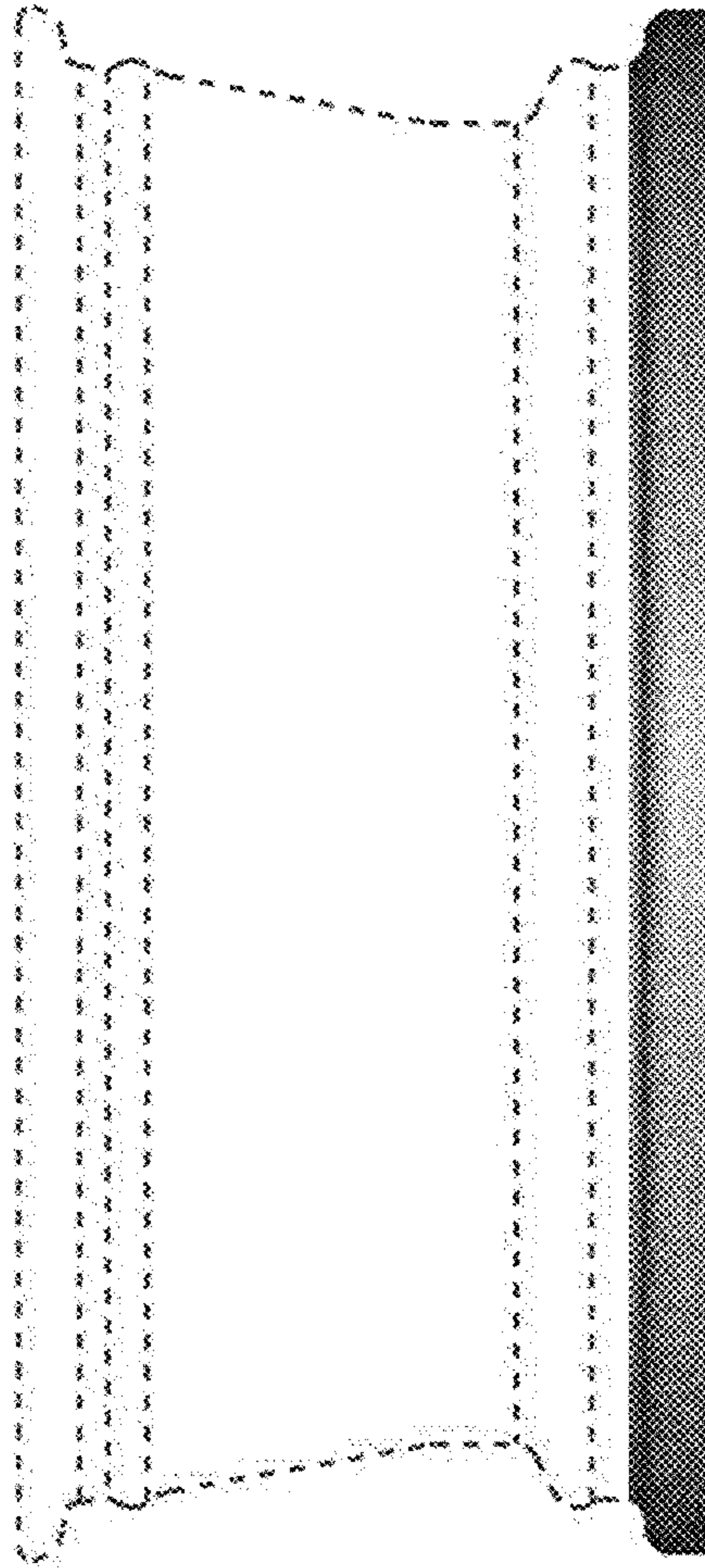


FIG. 3