



US00D927392S

(12) **United States Design Patent**  
**Xia**

(10) **Patent No.:** **US D927,392 S**

(45) **Date of Patent:** **\*\* Aug. 10, 2021**

(54) **VEHICLE WHEEL**

(71) Applicant: **CITIC Dicastal Co., Ltd.**,  
Qinhuangdao (CN)

(72) Inventor: **Shizhuo Xia**, Qinhuangdao (CN)

(73) Assignee: **CITIC Dicastal Co., Ltd.**,  
Qinhuangdao (CN)

(\*\*) Term: **15 Years**

(21) Appl. No.: **29/732,762**

(22) Filed: **Apr. 27, 2020**

(30) **Foreign Application Priority Data**

Mar. 16, 2020 (CN) ..... 202030086777.0

(51) **LOC (13) Cl.** ..... **12-16**

(52) **U.S. Cl.**  
USPC ..... **D12/209**

(58) **Field of Classification Search**

USPC ..... D12/204-213; D21/563  
CPC .... B60B 7/00; B60B 7/02; B60B 7/04; B60B  
7/01; B60B 7/06; B60B 3/02; B60B 3/04;  
B60B 3/06; B60B 3/10; B60B 1/00;  
B60B 1/08; B60B 1/10; B60B 1/12

See application file for complete search history.

(56) **References Cited**

U.S. PATENT DOCUMENTS

D552,524 S *	10/2007	Tirado .....	D12/209
D623,573 S *	9/2010	Thurner .....	D12/209
D707,609 S *	6/2014	Curtis .....	D12/211
D722,001 S *	2/2015	Kern .....	D12/209
D726,618 S *	4/2015	Dingle .....	D12/209
D797,636 S *	9/2017	Chung .....	D12/211
D859,273 S *	9/2019	Anton .....	D12/211
D887,943 S *	6/2020	Han .....	D12/209
D887,944 S *	6/2020	Han .....	D12/209
D901,359 S *	11/2020	Liu .....	D12/209

\* cited by examiner

*Primary Examiner* — Stacia A Cadmus

(74) *Attorney, Agent, or Firm* — IPro, PLLC

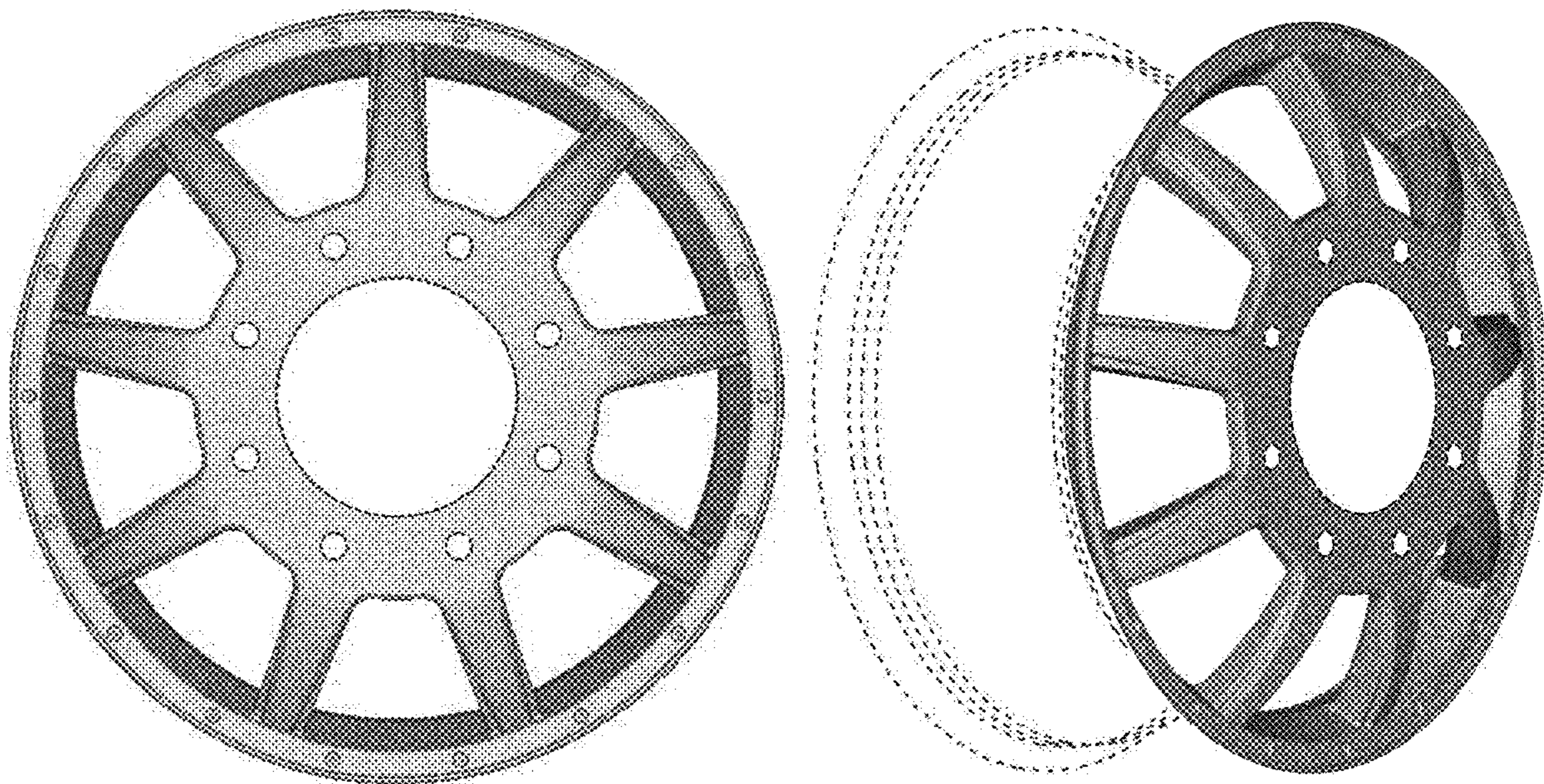
(57) **CLAIM**

The ornamental design for a vehicle wheel, as shown and described.

**DESCRIPTION**

FIG. 1 is a front view of a vehicle wheel.  
FIG. 2 is a perspective view of the vehicle wheel; and,  
FIG. 3 is a left side view of the vehicle wheel.  
In the drawings the broken lines depict portions of the wheel that form no part of the claimed design.

**1 Claim, 3 Drawing Sheets**



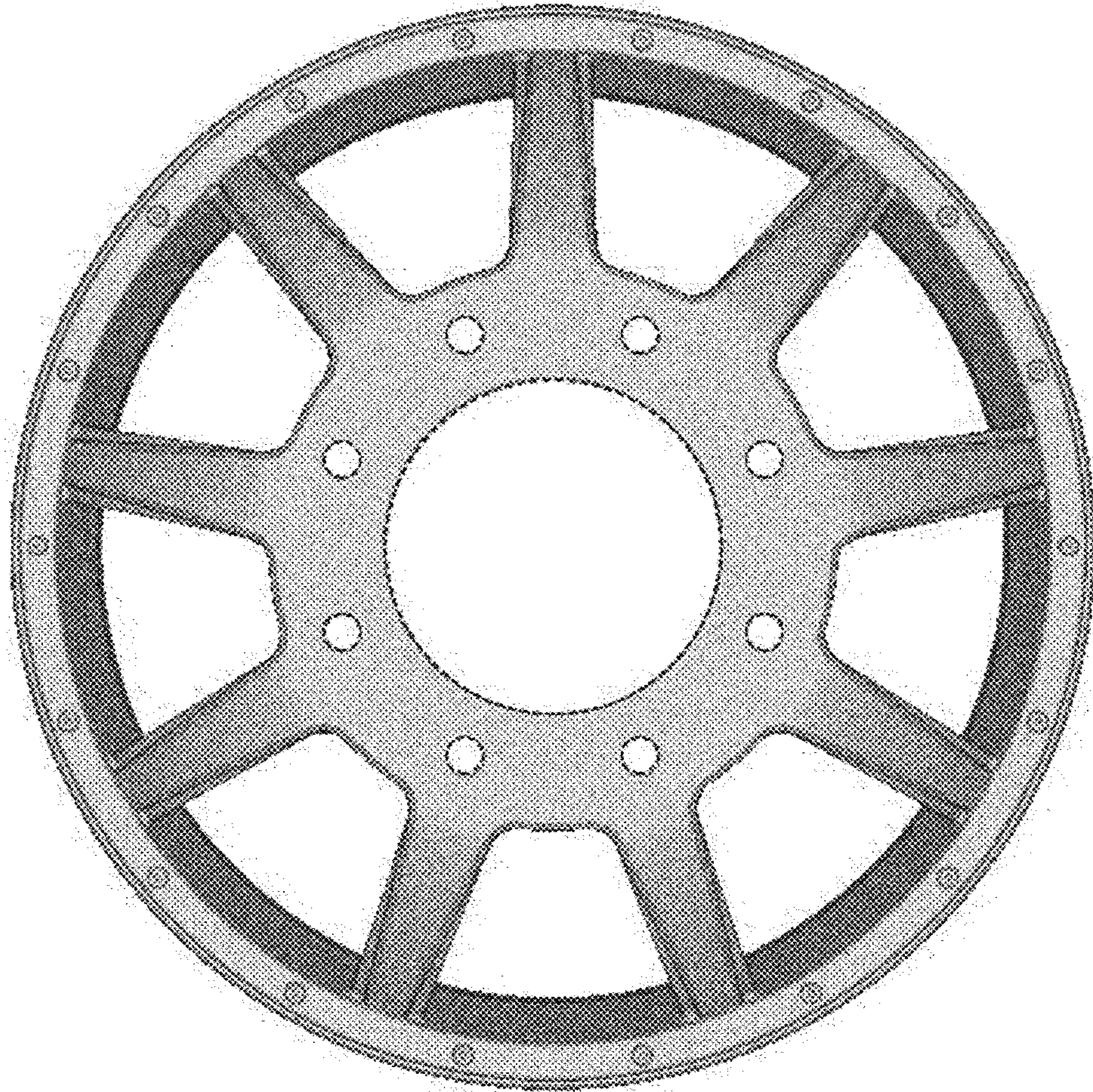


FIG. 1

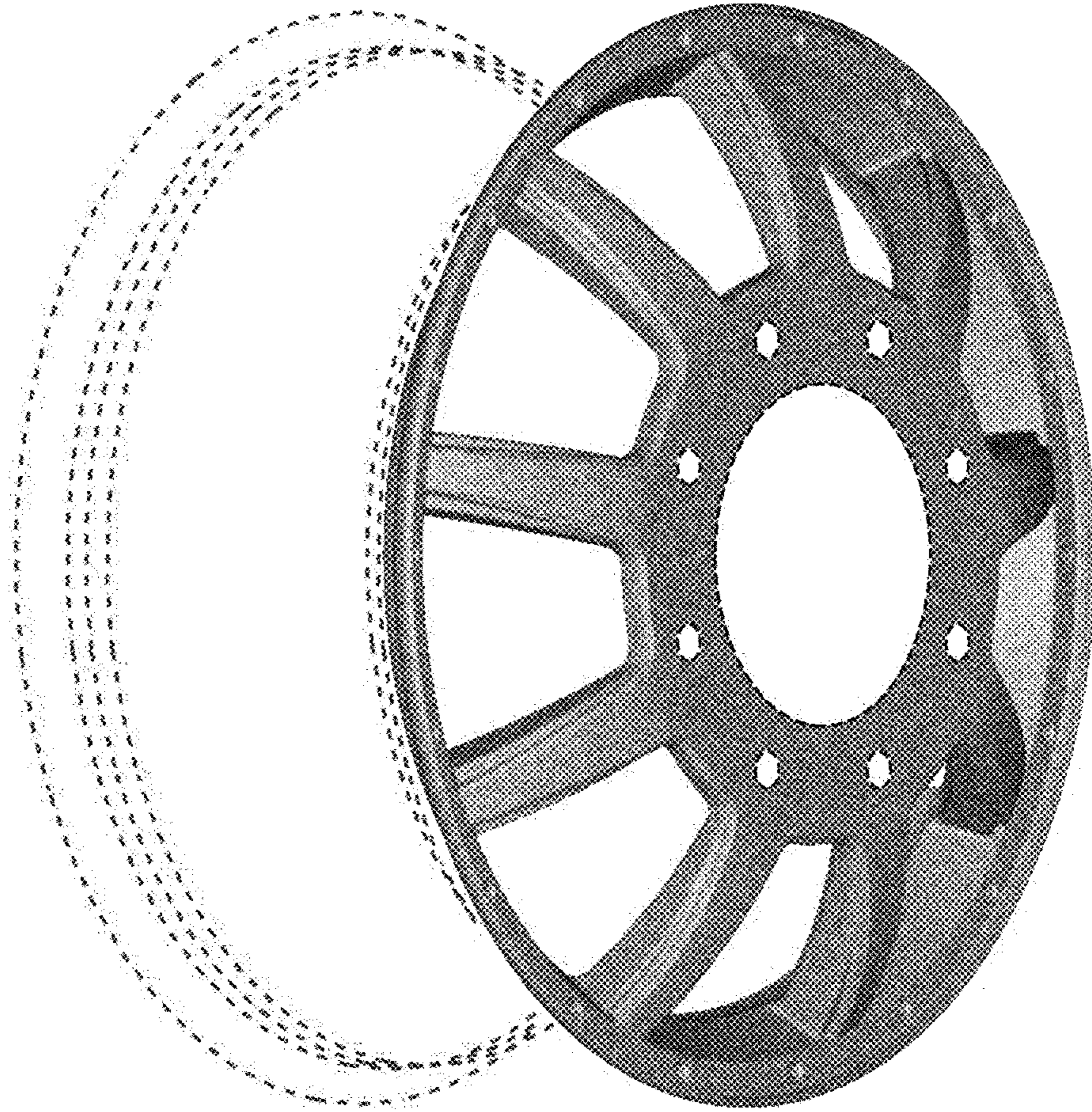


FIG. 2

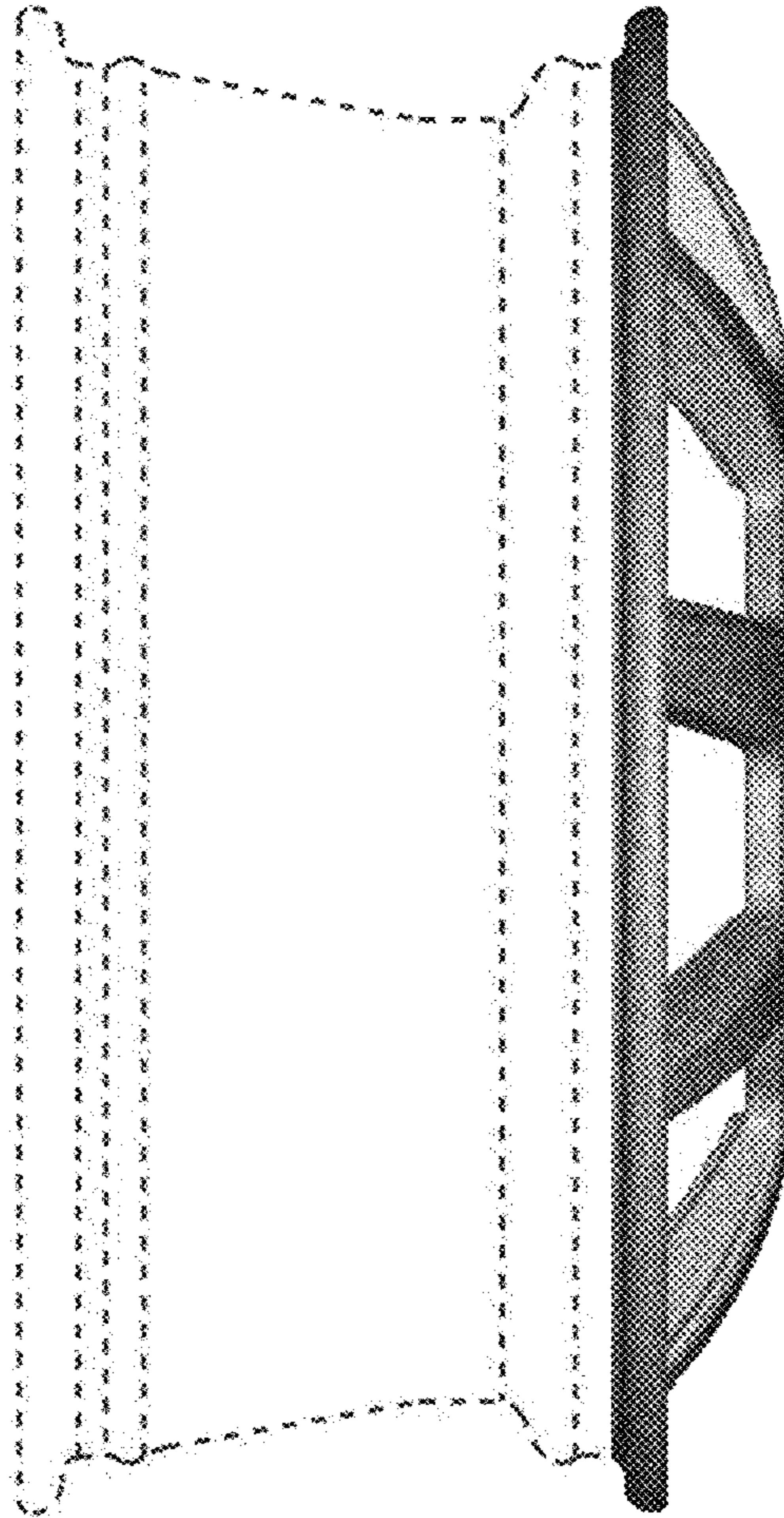


FIG. 3