



US00D927387S

(12) **United States Design Patent** (10) **Patent No.:** **US D927,387 S**
Li et al. (45) **Date of Patent:** **** Aug. 10, 2021**

(54) **VEHICLE WHEEL**

(56) **References Cited**

(71) Applicant: **CITIC Dicastal Co., Ltd.**,
Qinhuangdao (CN)
(72) Inventors: **Minglei Li**, Qinhuangdao (CN);
Weidong Liu, Qinhuangdao (CN);
Liangjian Qiu, Qinhuangdao (CN);
Jian Li, Qinhuangdao (CN); **Shaoqian**
Wang, Qinhuangdao (CN)
(73) Assignee: **CITIC Dicastal Co., Ltd.**,
Qinhuangdao (CN)

U.S. PATENT DOCUMENTS

D464,924 S *	10/2002	Singer	D12/211
D488,116 S *	4/2004	Chung	D12/209
D507,222 S *	7/2005	Arellano	D12/209
D576,936 S *	9/2008	Imai	D12/209
D620,421 S *	7/2010	Lamm	D12/209
D631,419 S *	1/2011	Kim	D12/209
D633,027 S *	2/2011	Matei	D12/211
D695,667 S *	12/2013	Zane	D12/209
D707,169 S *	6/2014	Chan	D12/209
D708,108 S *	7/2014	Wheel	D12/209
D712,330 S *	9/2014	Chung	D12/209
D736,132 S *	8/2015	Platto	D12/209
D740,736 S *	10/2015	Chung	D12/211
D840,311 S *	2/2019	Hilton	D12/209
D866,430 S *	11/2019	Tomasson	D12/209
D891,346 S *	7/2020	Glover	D12/209
D894,075 S *	8/2020	Ninov	D12/209

(**) Term: **15 Years**

* cited by examiner

(21) Appl. No.: **29/732,753**

Primary Examiner — Stacia A Cadmus

(22) Filed: **Apr. 27, 2020**

(74) *Attorney, Agent, or Firm* — IPRO, PLLC

(30) **Foreign Application Priority Data**

Mar. 16, 2020 (CN) 202030097583.0

(57) **CLAIM**

(51) **LOC (13) Cl.** **12-16**

The ornamental design for a vehicle wheel, as shown and described.

(52) **U.S. Cl.**
USPC **D12/209**

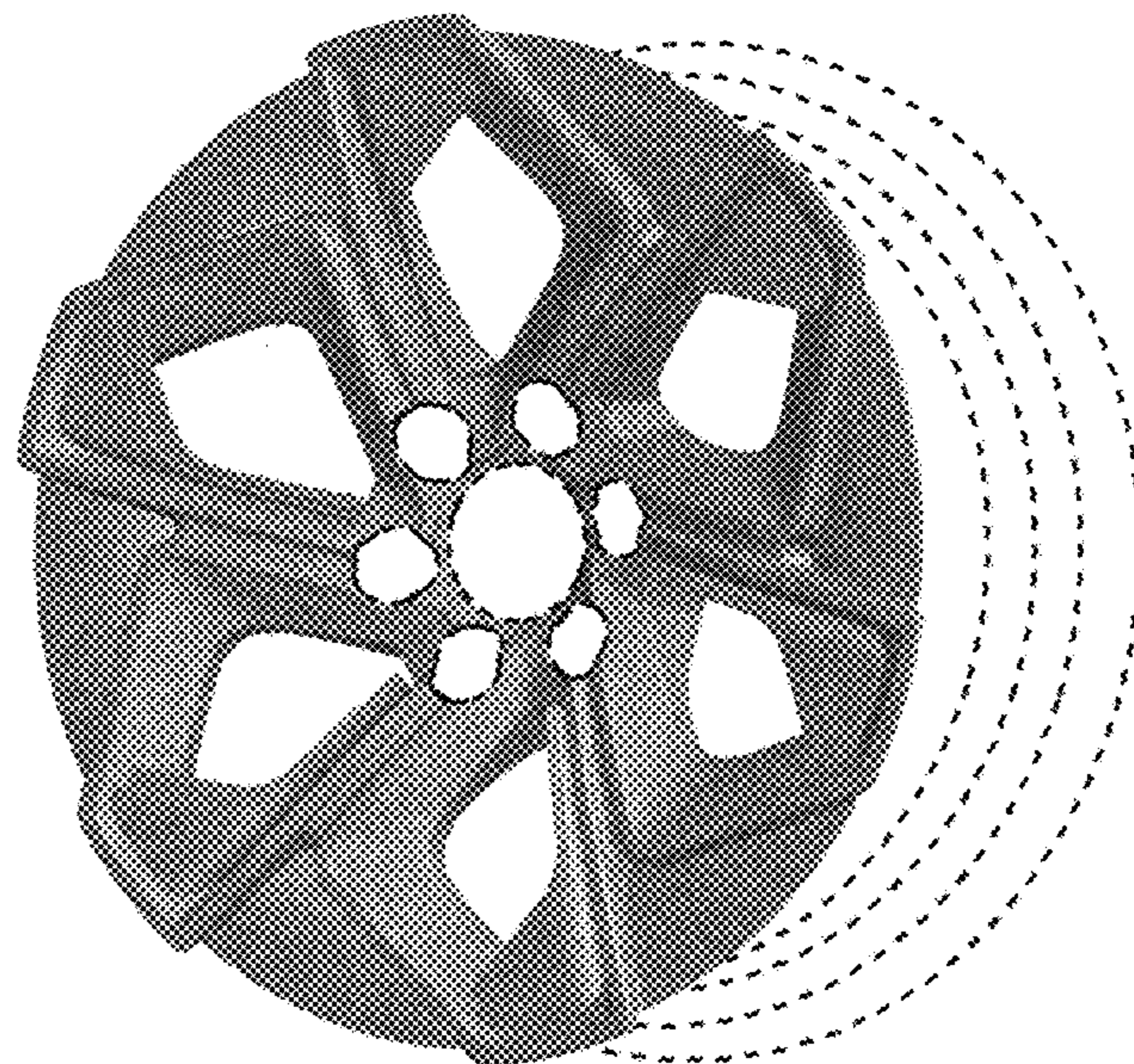
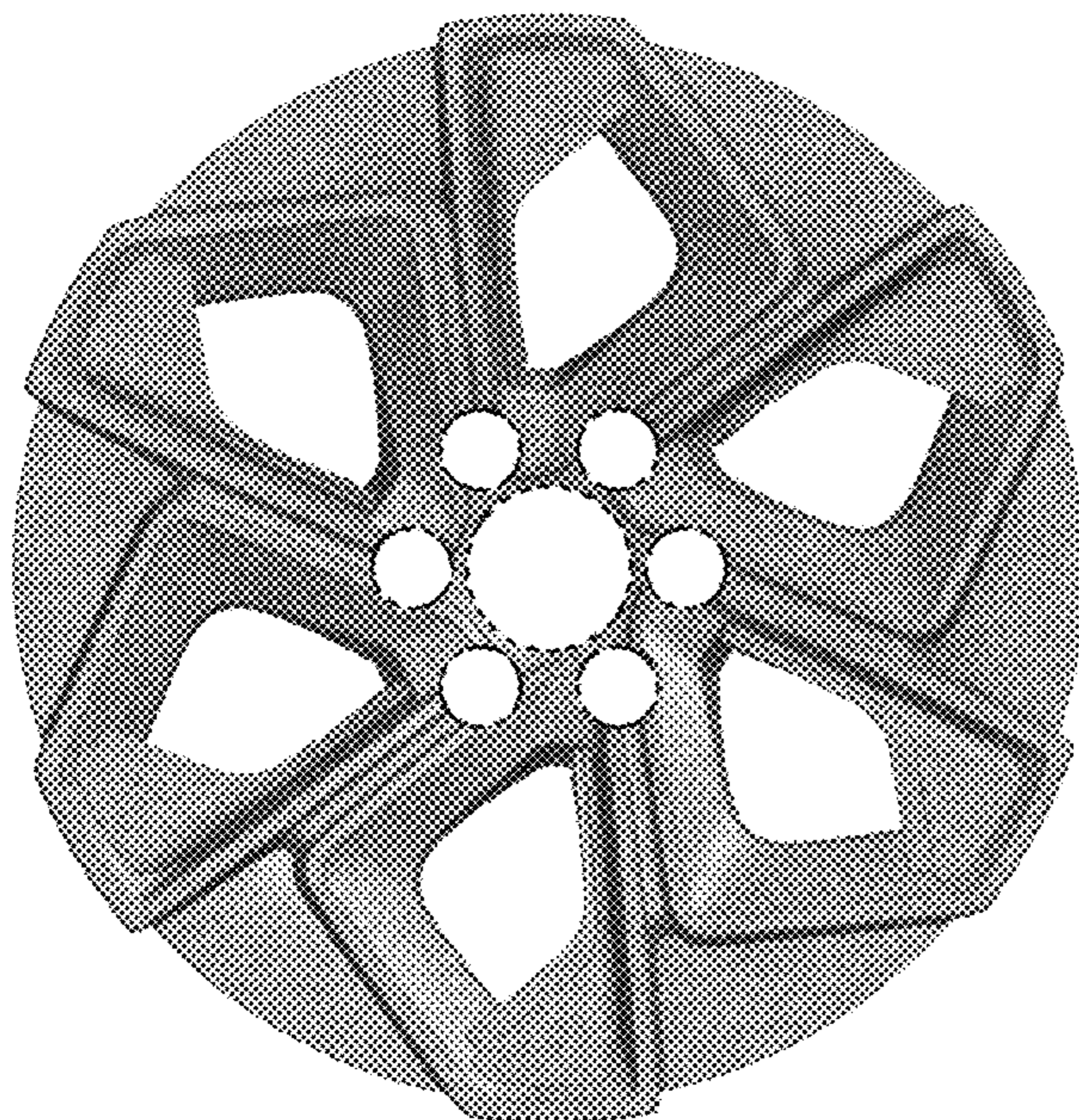
DESCRIPTION

(58) **Field of Classification Search**
USPC D12/204–213; D21/563
CPC B60B 7/00; B60B 7/02; B60B 7/04; B60B
7/01; B60B 7/06; B60B 3/02; B60B 3/04;
B60B 3/06; B60B 3/10; B60B 1/00;
B60B 1/08; B60B 1/10; B60B 1/12

FIG. 1 is a front view of a vehicle wheel.
FIG. 2 is a perspective view of the vehicle wheel; and,
FIG. 3 is a left side view of the vehicle wheel.
In the drawings the broken lines depict portions of the wheel
that form no part of the claimed design.

See application file for complete search history.

1 Claim, 3 Drawing Sheets



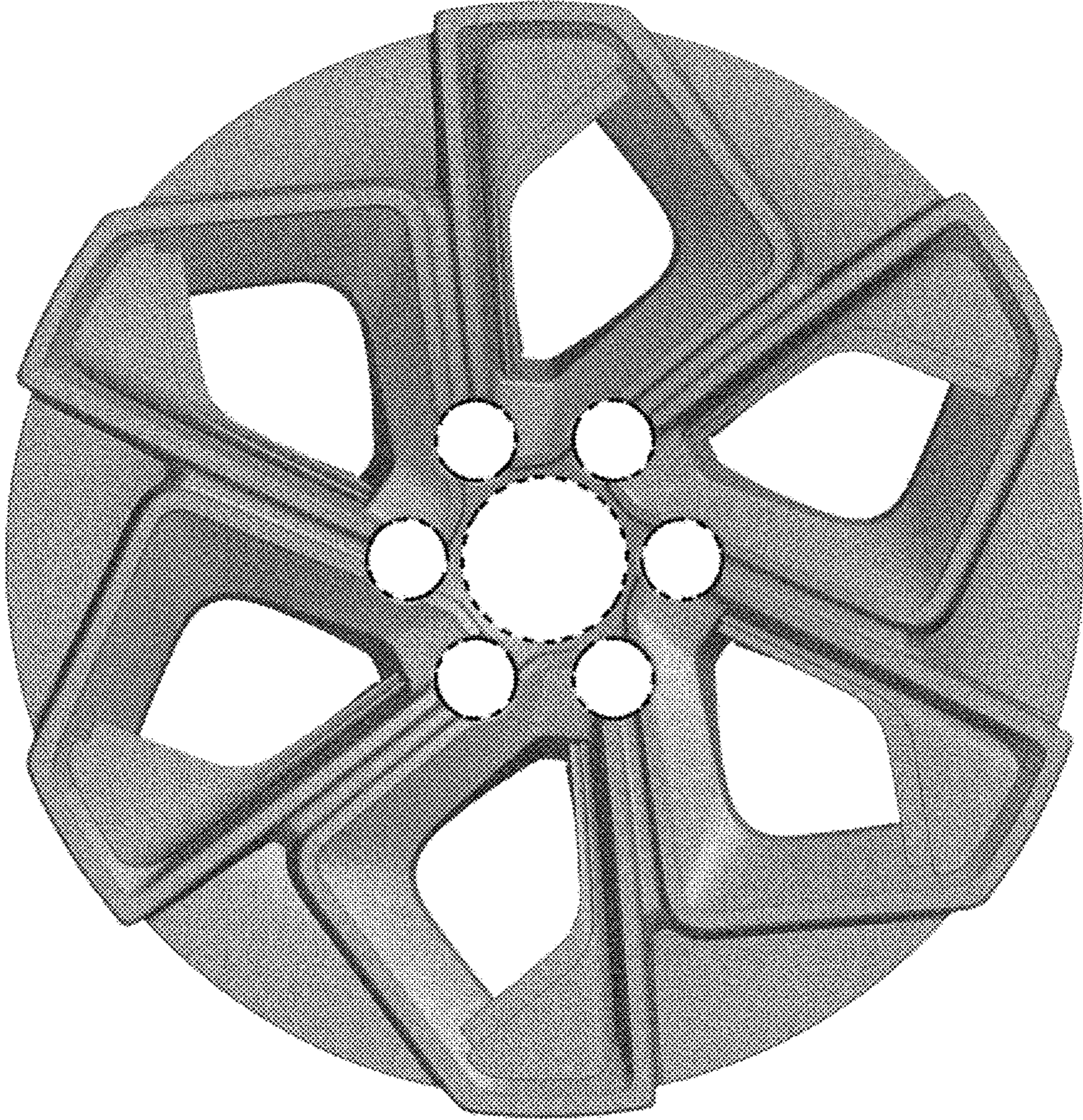


FIG. 1

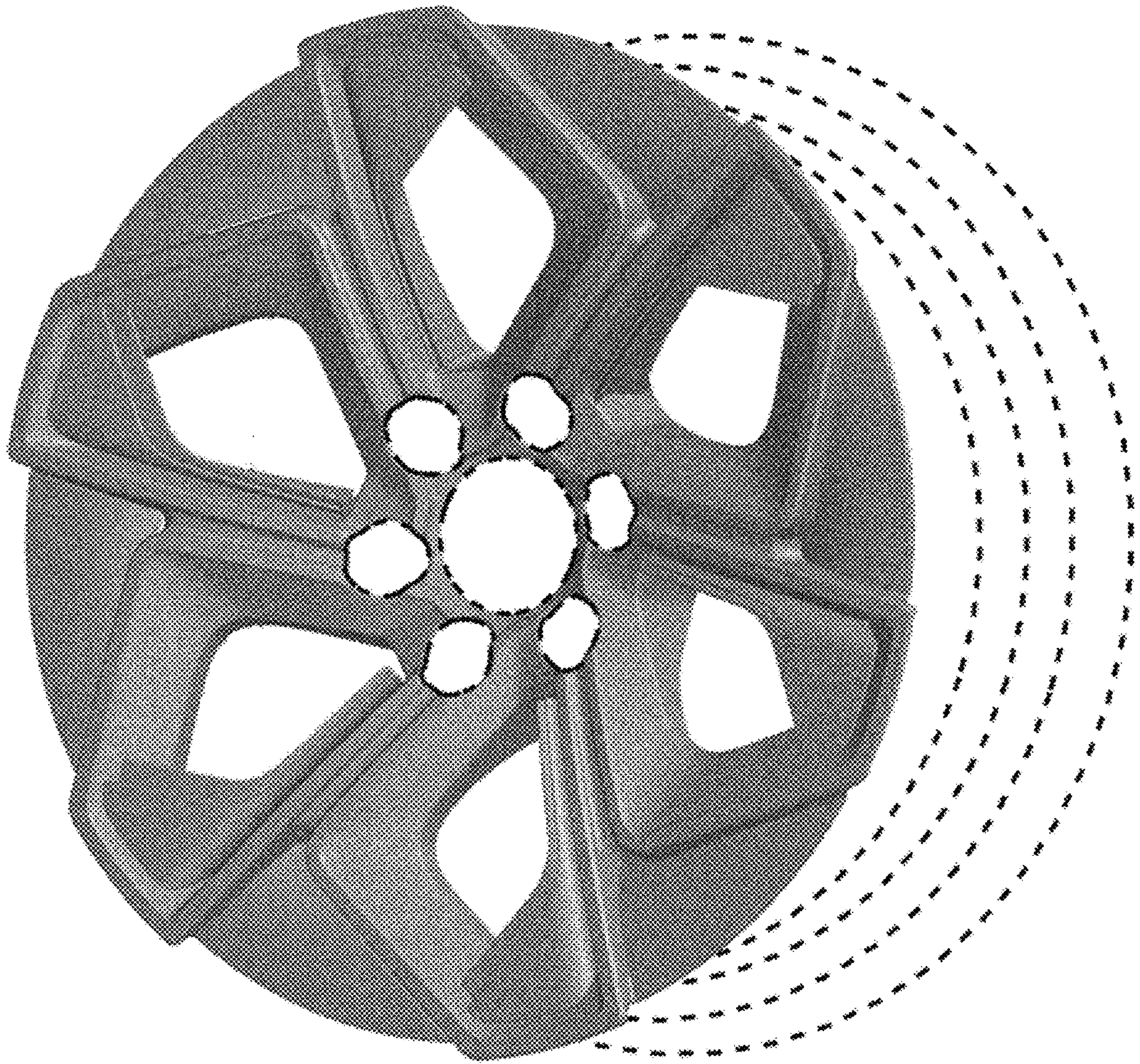


FIG. 2

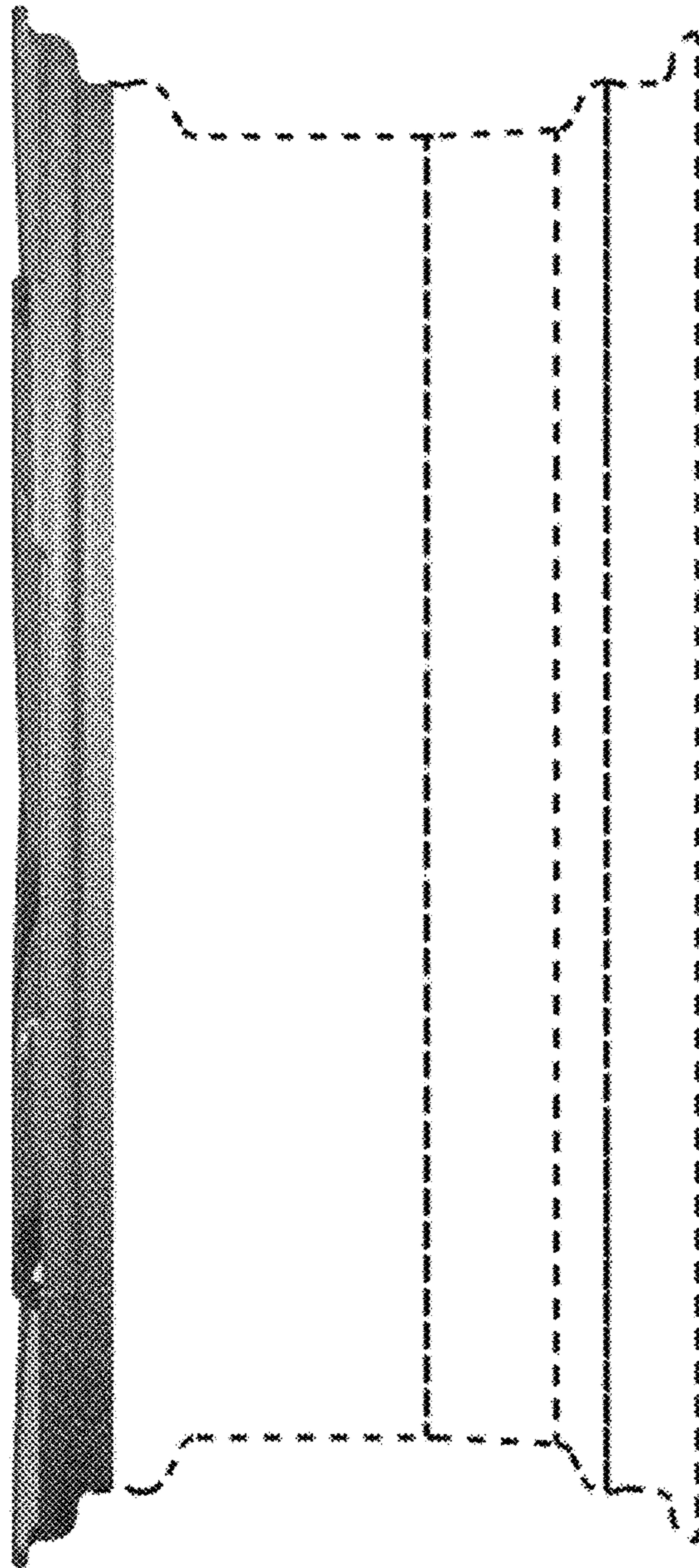


FIG. 3