

US00D927385S

(12) **United States Design Patent**  
**Rovito**

(10) **Patent No.:** **US D927,385 S**

(45) **Date of Patent:** **\*\* Aug. 10, 2021**

(54) **UNIVERSAL AUTOMOTIVE WHEEL**

FOREIGN PATENT DOCUMENTS

(71) Applicant: **GUNIWHEEL, LLC**, Alpharetta, GA (US)

EP 553696 A2 4/1993  
WO 2018071700 A1 4/2018

(72) Inventor: **Sergio Rovito**, Alpharetta, GA (US)

OTHER PUBLICATIONS

(73) Assignee: **GUNIWHEEL, LLC**, Alpharetta, GA (US)

Guniwheel Universal Vehical Mounting System reference [Jun. 13, 2019] found online [Jun. 13, 2019]—<https://www.guniwheel.com/shop-now>.\*

(\*\*) Term: **15 Years**

(Continued)

(21) Appl. No.: **29/720,524**

*Primary Examiner* — John A Voytek

(22) Filed: **Jan. 14, 2020**

(74) *Attorney, Agent, or Firm* — Thomas|Horstemeyer, LLP

**Related U.S. Application Data**

(63) Continuation of application No. 29/657,435, filed on Jul. 23, 2018, now Pat. No. Des. 874,387.

(51) **LOC (13) Cl.** ..... **12-16**

(52) **U.S. Cl.**  
USPC ..... **D12/209; D12/501**

(58) **Field of Classification Search**  
USPC ..... D12/206, 207, 208, 500–532, 604; D13/122

CPC ..... Y10T 152/10027; B60C 1/0016; B60C 11/0306; B60C 11/0302; B60C 3/06; B60C 9/17

See application file for complete search history.

(56) **References Cited**

U.S. PATENT DOCUMENTS

2,590,363 A	3/1952	Adair	
D363,912 S *	11/1995	Chung	D12/209
D388,758 S *	1/1998	Johnson	D12/206
D417,179 S *	11/1999	Galla	D12/209
D436,909 S *	1/2001	Lotson	D12/209
D491,511 S *	6/2004	Brintouch	D12/209
D498,975 S *	11/2004	Choi	D7/402
D561,210 S *	2/2008	Kanemitsu	D15/148
D593,946 S *	6/2009	Takamura	D13/122

(Continued)

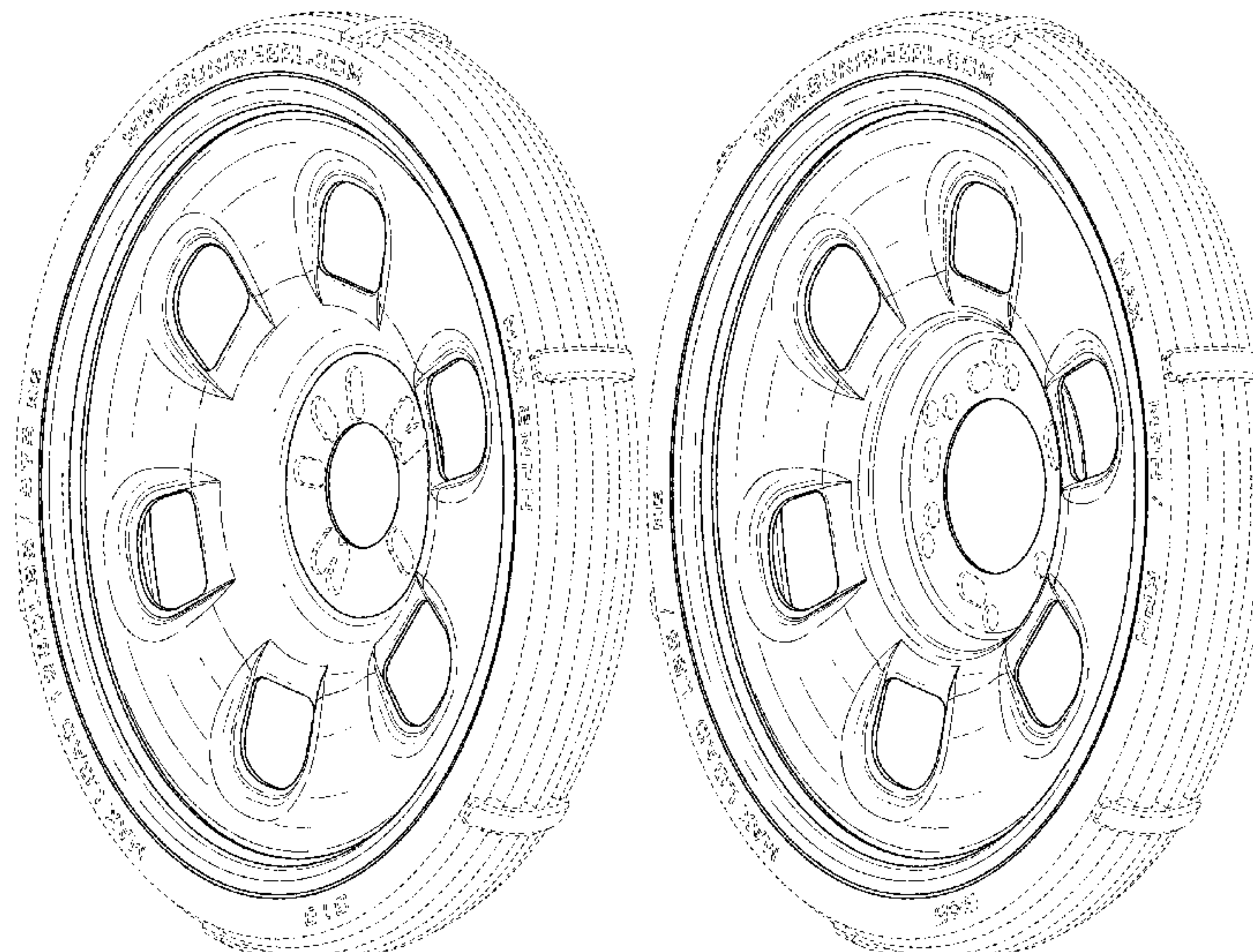
(57) **CLAIM**

The ornamental design for a universal automotive wheel, as shown and described.

**DESCRIPTION**

FIG. 1 is a front perspective view of a universal automotive wheel showing my new design;  
FIG. 2 is a first side view thereof;  
FIG. 3 is a second side view thereof;  
FIG. 4 is a front elevation view thereof;  
FIG. 5 is a second elevation view thereof;  
FIG. 6 is a third elevation view thereof;  
FIG. 7 is a fourth elevation view thereof;  
FIG. 8 is an alternative front respective view thereof;  
FIG. 9 is a first side view thereof;  
FIG. 10 is a second side view thereof;  
FIG. 11 is a front elevation view thereof;  
FIG. 12 is a second elevation view thereof;  
FIG. 13 is a third elevation view thereof; and,  
FIG. 14 is a fourth elevation view thereof.  
The broken lines shown in FIGS. 1-14 are for the purpose of illustrating environment only and form no part of the claimed design.

**1 Claim, 10 Drawing Sheets**



(56)

**References Cited**

U.S. PATENT DOCUMENTS

D614,113	S	*	4/2010	Tant	.....	D12/211
D739,935	S	*	9/2015	Blain	.....	D24/155
D790,062	S	*	6/2017	Blain	.....	D24/155
D796,406	S	*	9/2017	Dadoosh	.....	D12/204
D874,387	S	*	2/2020	Rovito	.....	D12/501
D875,635	S	*	2/2020	Mounts	.....	D12/204
D903,597	S	*	12/2020	Pauken	.....	D13/122
2008/0231107	A1		9/2008	Ascaugh		
2012/0091785	A1		4/2012	Lara, Sr.		
2020/0016928	A1	*	1/2020	Rovito	.....	B60C 5/00

OTHER PUBLICATIONS

International Search Report for International Application No. PCT/  
US2019/036378, dated Sep. 23, 2019.

\* cited by examiner

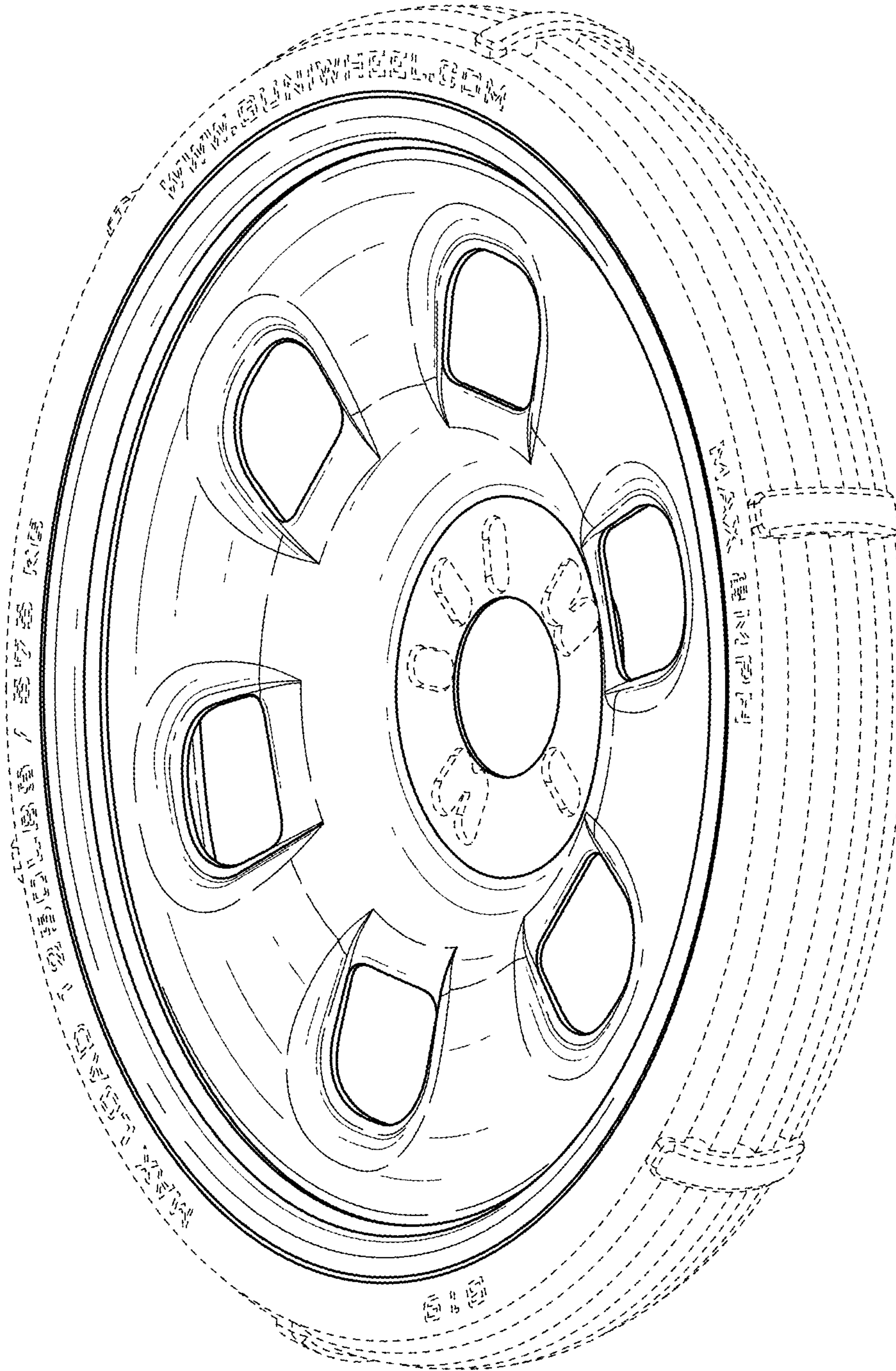


FIG. 1



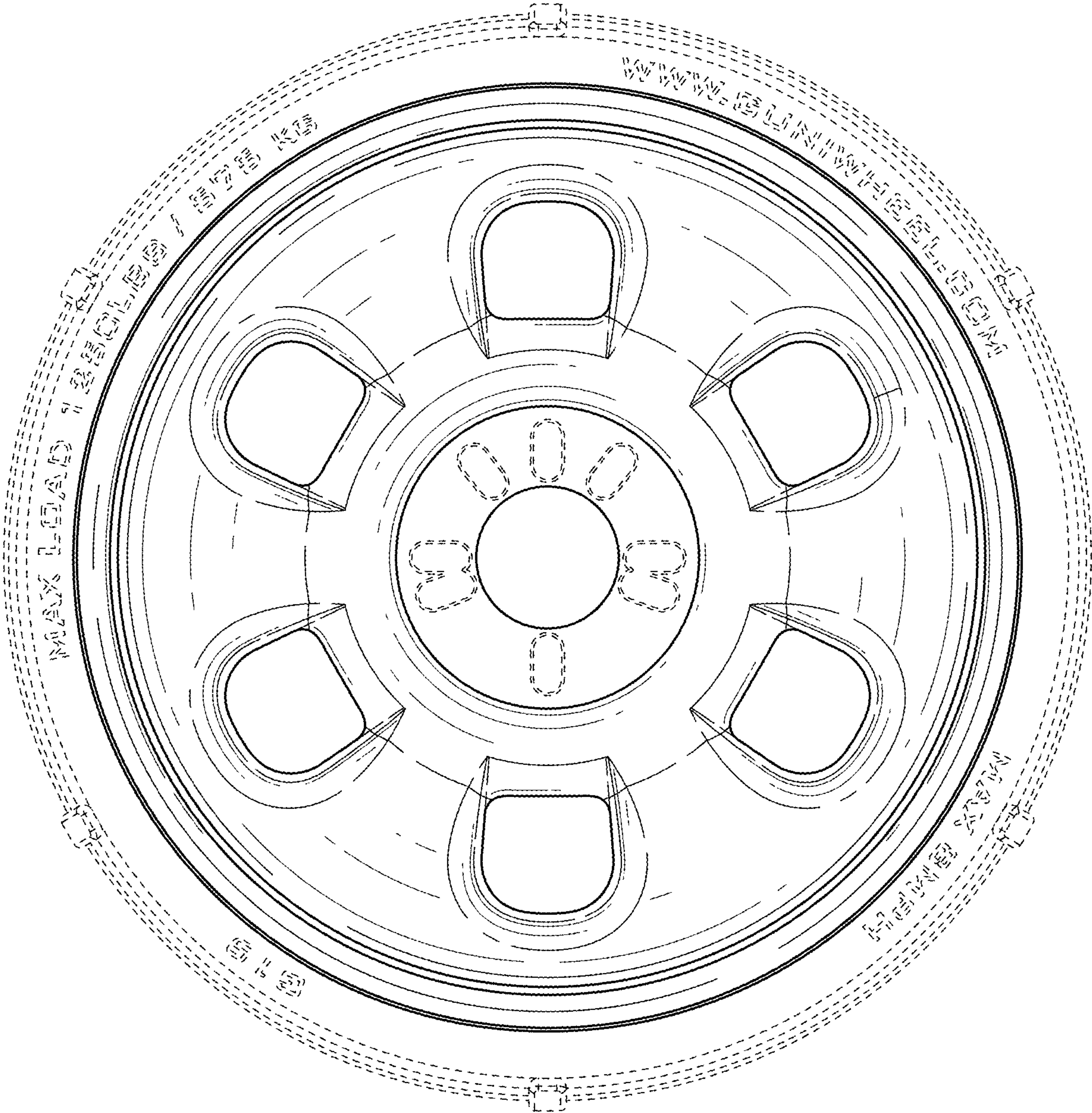


FIG. 2

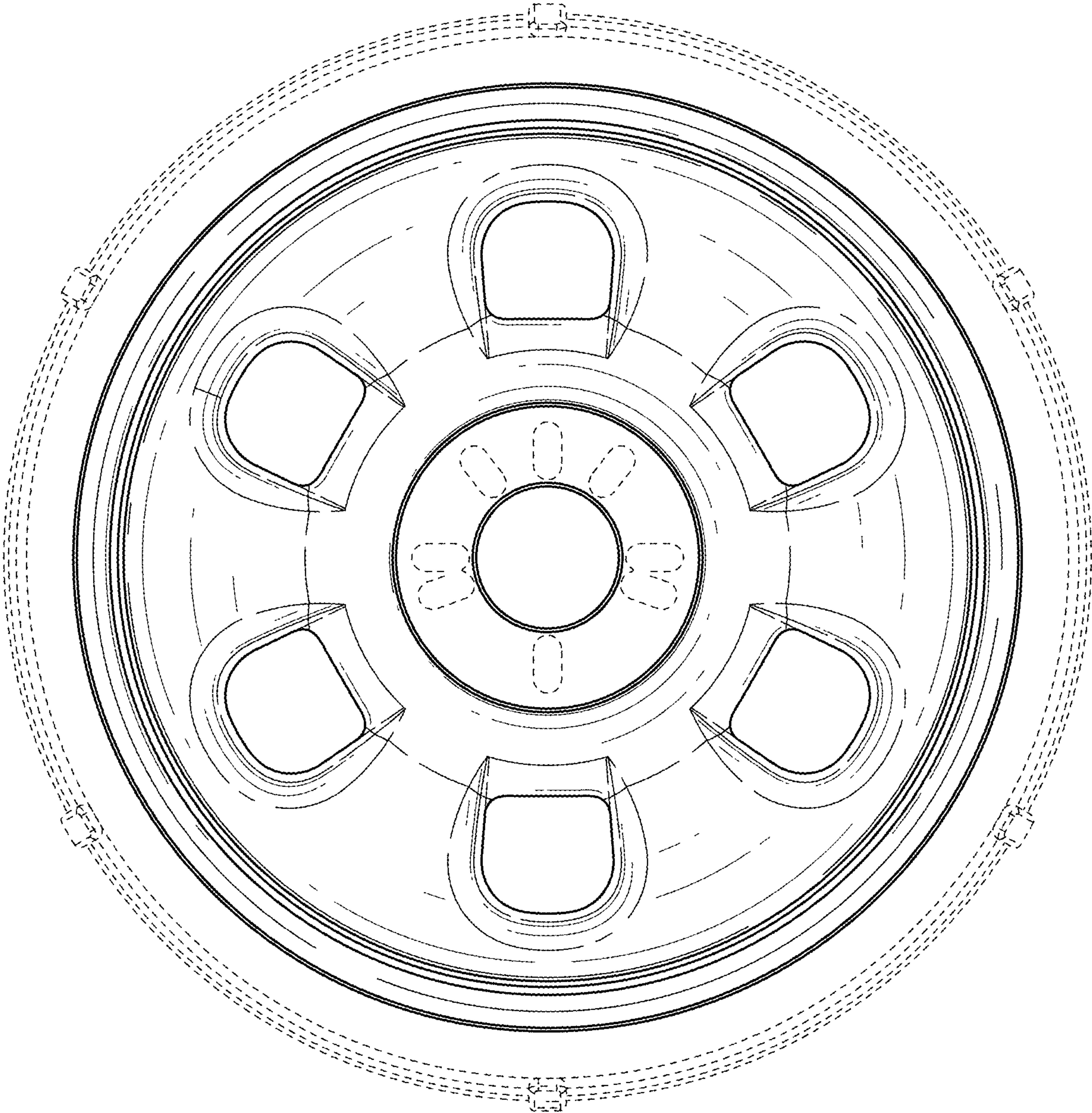


FIG. 3

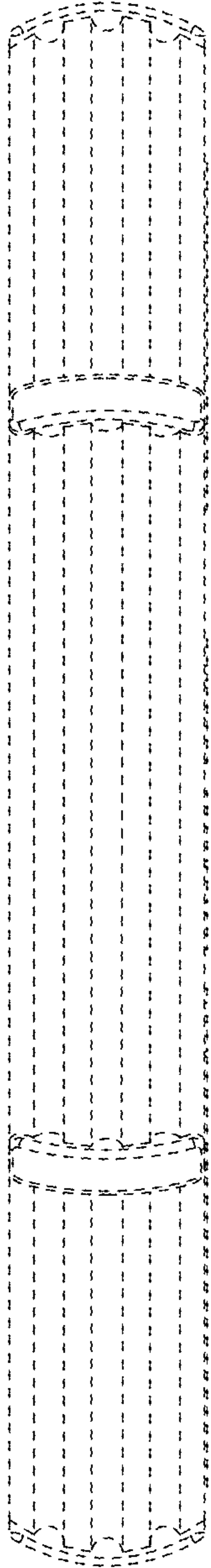


FIG. 4

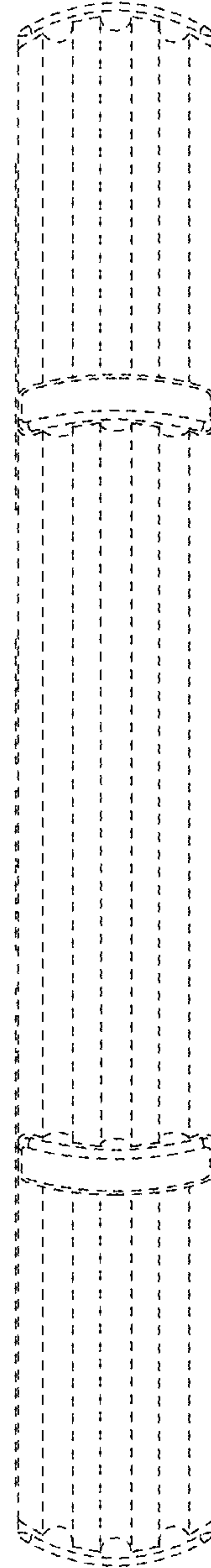


FIG. 5



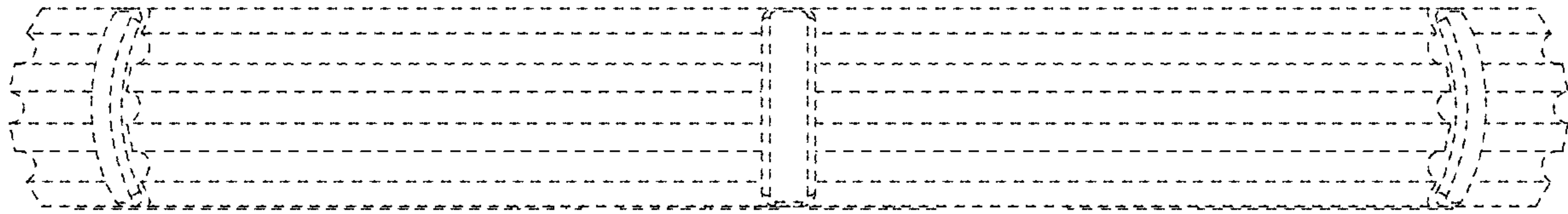


FIG. 6

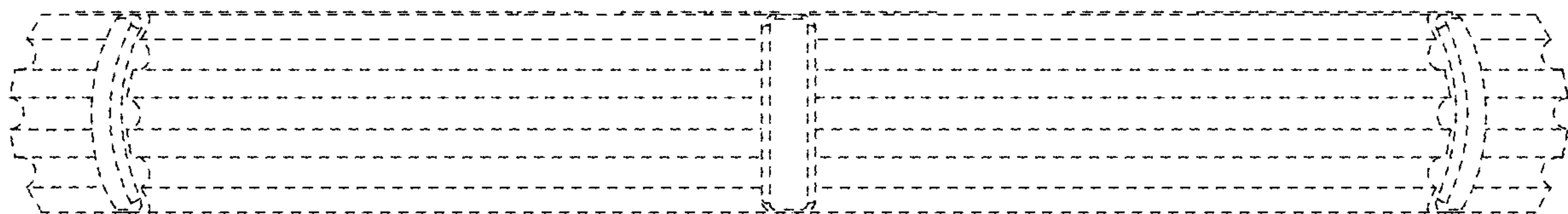


FIG. 7

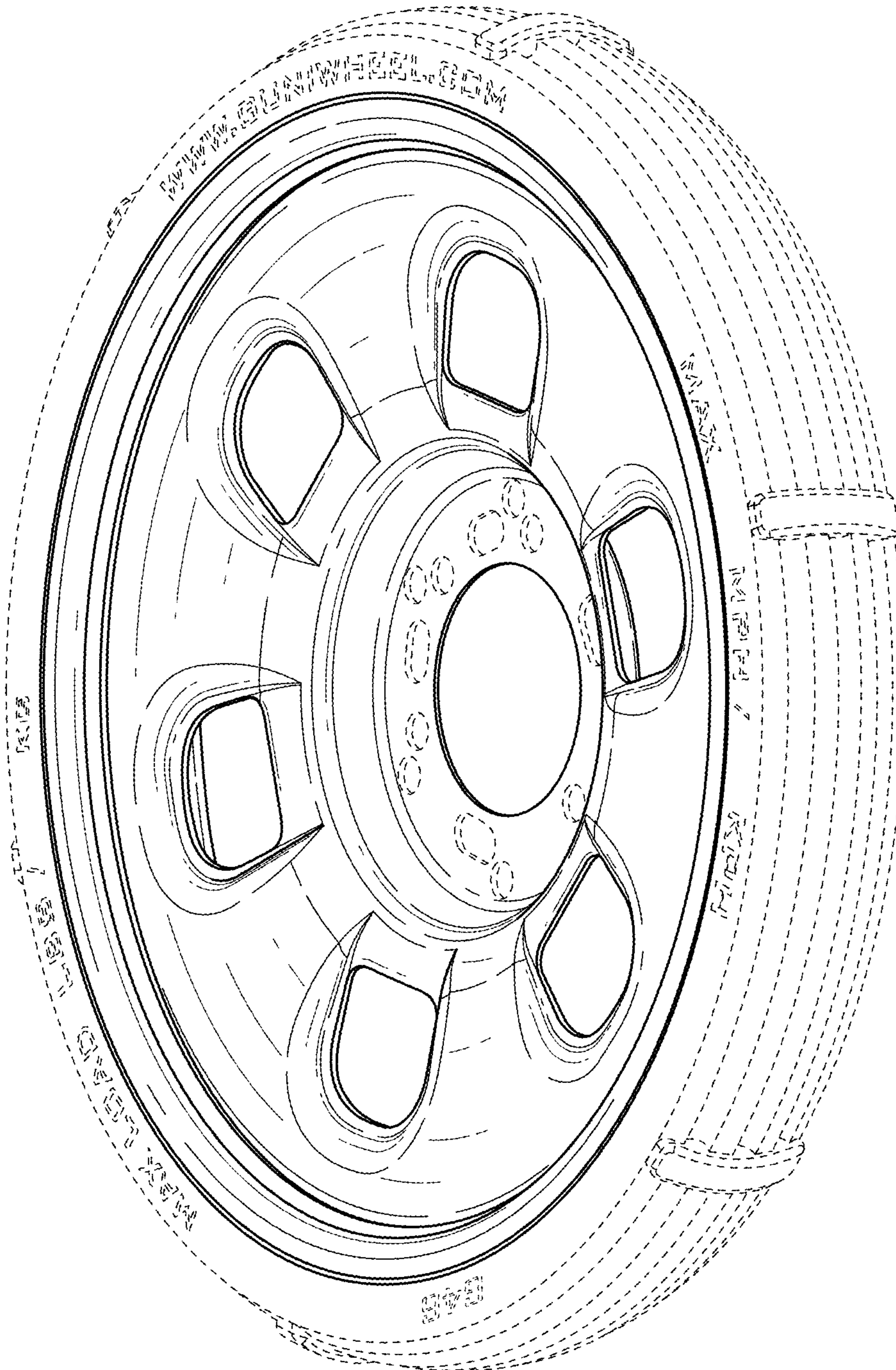


FIG. 8



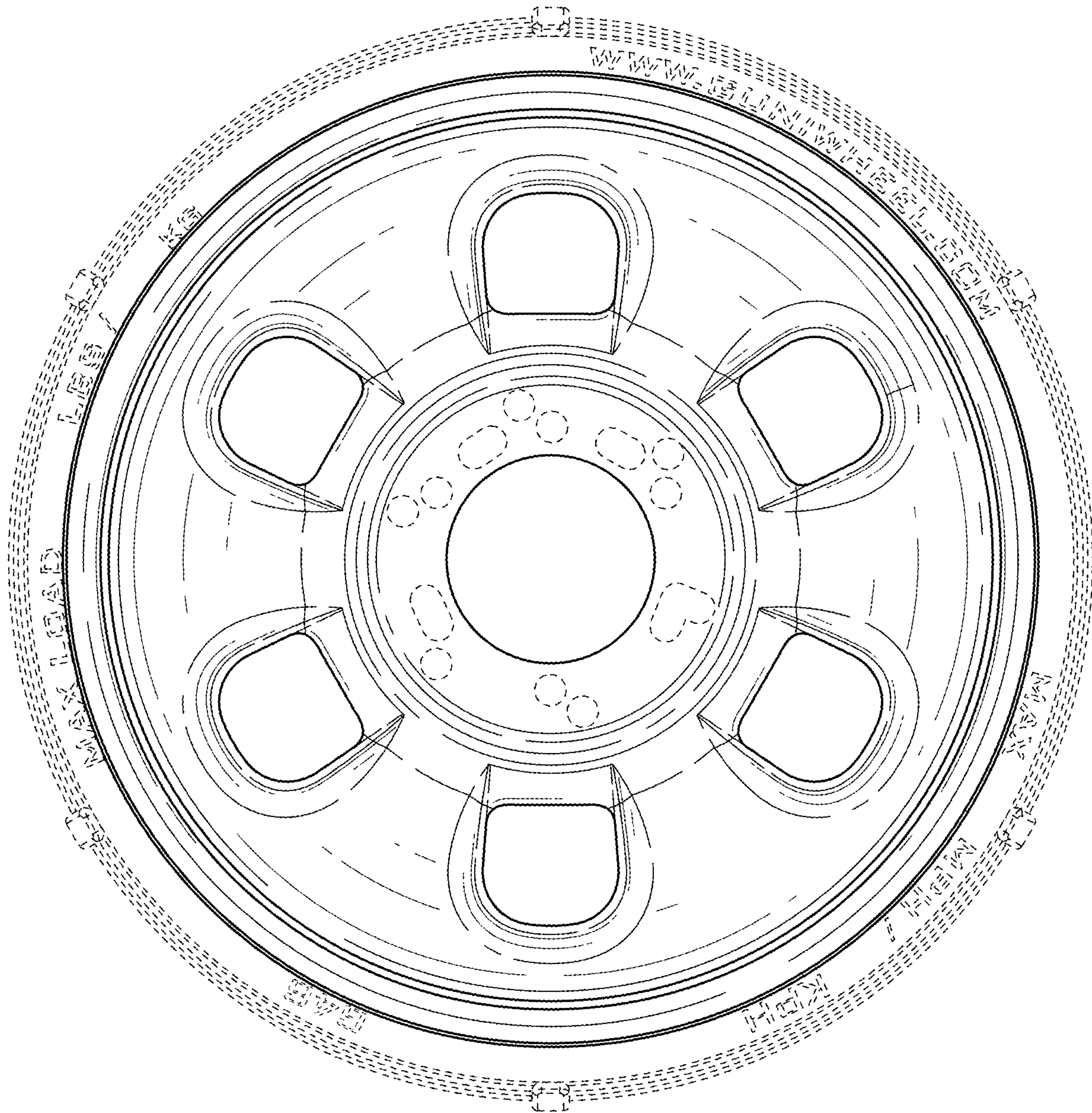


FIG. 9

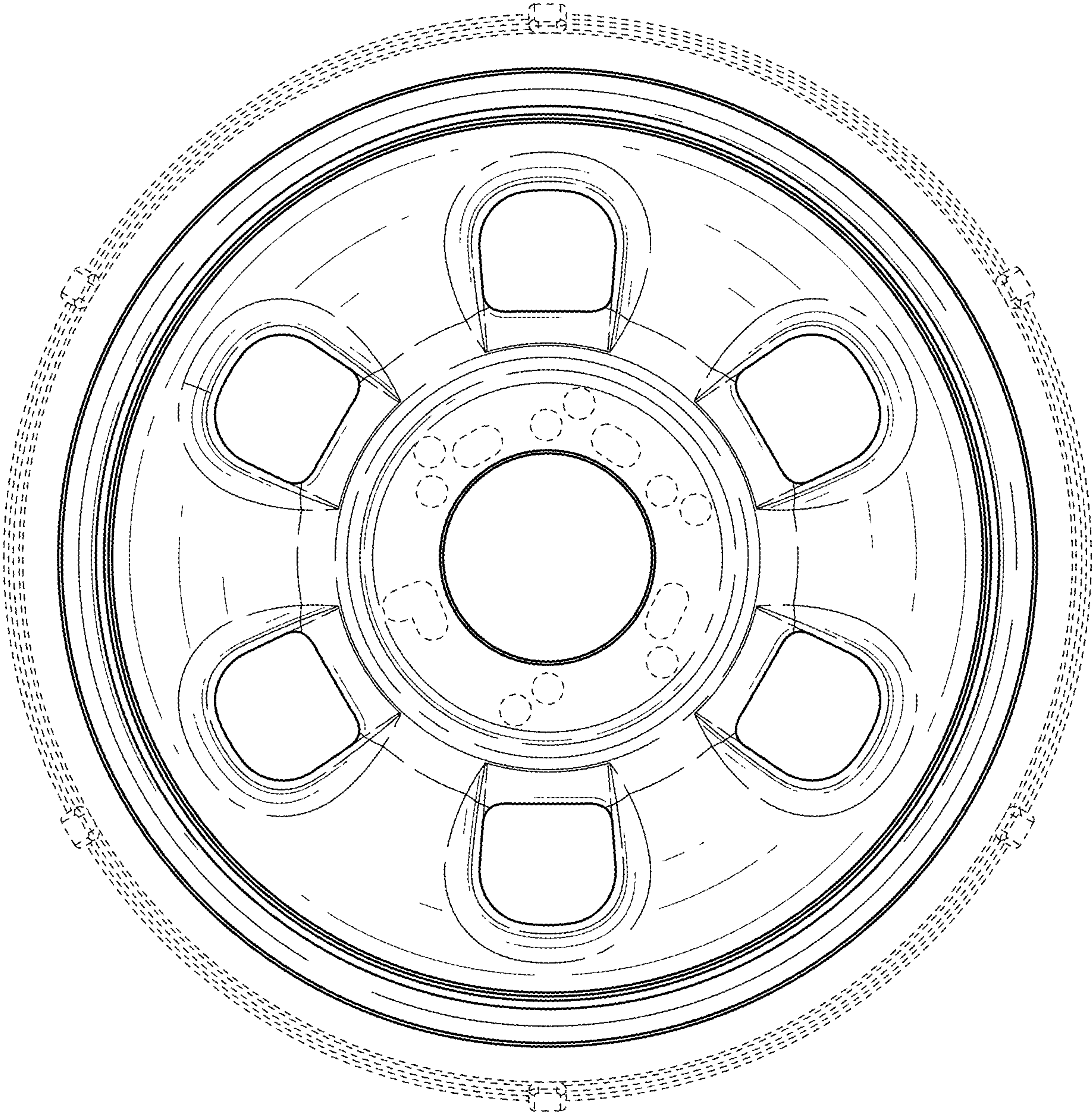


FIG. 10



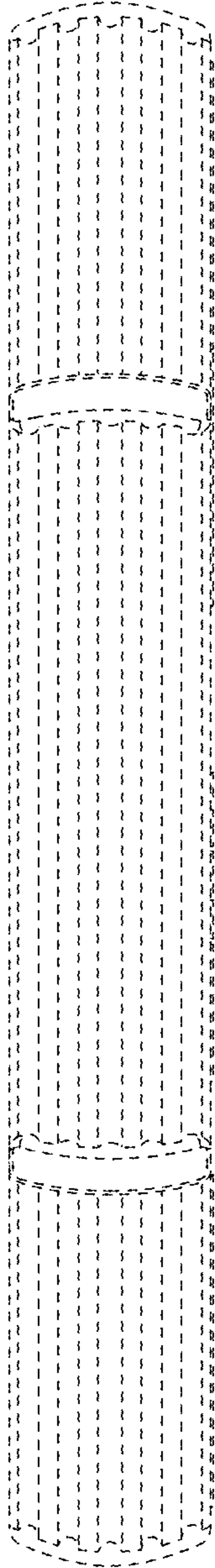


FIG. 11

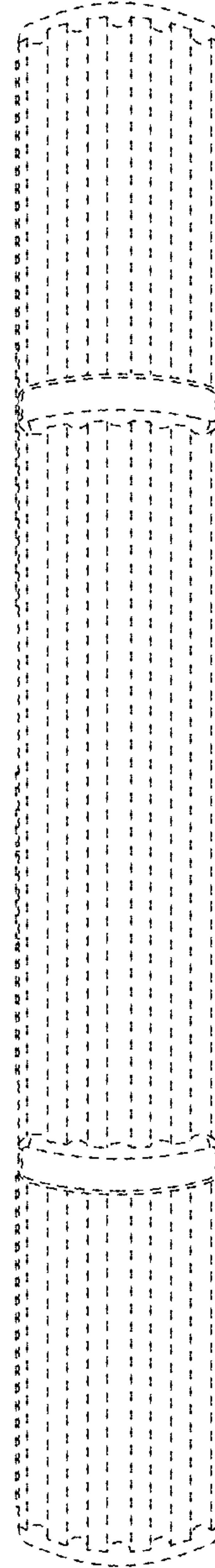


FIG. 12



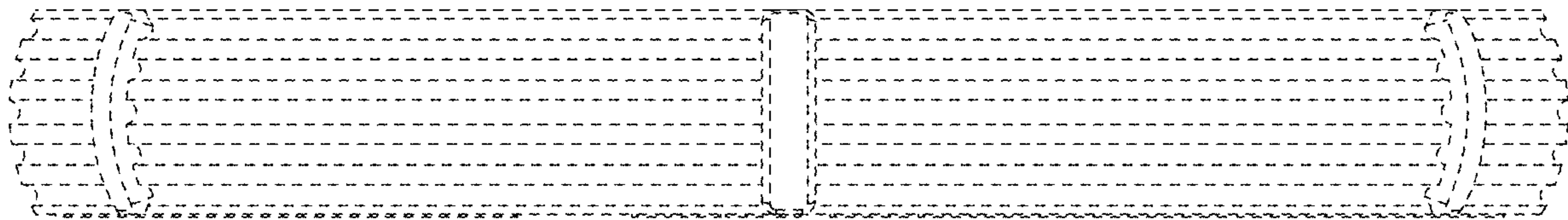


FIG. 13

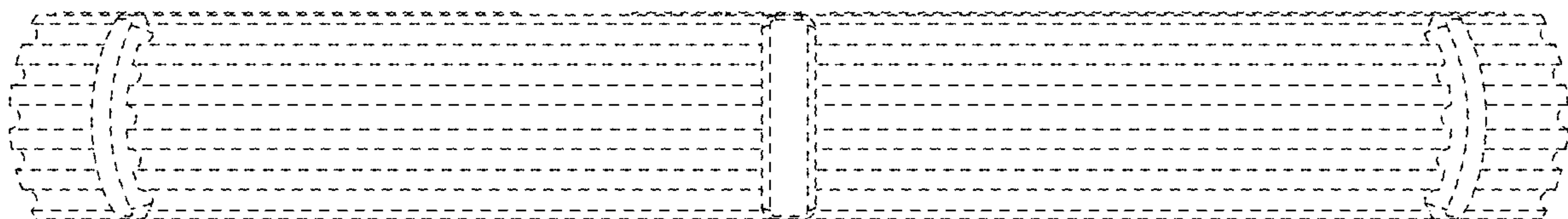


FIG. 14