



US00D927384S

(12) **United States Design Patent**
Oscroft

(10) **Patent No.:** **US D927,384 S**

(45) **Date of Patent:** **** Aug. 10, 2021**

(54) **FREE WHEEL HUB ADAPTOR**

(71) Applicant: **Christopher Oscroft**, Nr. Alcester (GB)

(72) Inventor: **Christopher Oscroft**, Nr. Alcester (GB)

(**) Term: **15 Years**

(21) Appl. No.: **29/651,978**

(22) Filed: **Jul. 29, 2019**

(51) **LOC (13) Cl.** **12-16**

(52) **U.S. Cl.**

USPC **D12/207**

(58) **Field of Classification Search**

USPC D12/204-210, 213, 180

CPC B60B 3/147; B60B 3/142; B60B 3/14;

B60B 3/16; B60B 1/00; B60B 1/003;

B60B 1/041; B60B 1/042; B60B 1/043;

B60B 27/00; B60B 27/02; B60B 27/0052;

B60B 27/0057; B60B 27/0078; B60B

7/00; B60B 7/01; B60B 7/02; B60B 7/04;

B60B 7/06

See application file for complete search history.

(56) **References Cited**

U.S. PATENT DOCUMENTS

D274,716 S * 7/1984 Mahnig D12/207

D292,200 S * 10/1987 Carmichael D12/207

4,718,732 A * 1/1988 Osborne B60B 3/147

301/128

5,533,794 A * 7/1996 Faison B60B 27/00

301/105.1

5,785,391 A * 7/1998 Parry B60B 3/147

301/111.04

D431,513 S * 10/2000 Lovitt, Jr. D12/207

6,238,009 B1 * 5/2001 Lovitt, Jr. B60B 3/044

301/35.629

D443,577 S * 6/2001 Lovitt, Jr. D12/207

D443,578 S * 6/2001 Lovitt, Jr. D12/207

D445,077 S * 7/2001 Lovitt, Jr. D12/207

D500,976 S * 1/2005 Baker D12/207

D504,377 S * 4/2005 Caudill D12/207

D591,215 S * 4/2009 Weigand D12/207

7,566,050 B1 * 7/2009 Lee B62K 25/04

188/290

7,891,743 B2 * 2/2011 Ballard B60B 3/165

301/35.63

8,061,697 B1 * 11/2011 Lee B60G 11/14

267/272

D659,624 S * 5/2012 Farradas D12/207

D721,315 S * 1/2015 Delavy D12/207

9,027,681 B2 * 5/2015 Biderman B60B 1/041

180/65.51

D776,038 S * 1/2017 Hensel D12/207

D811,977 S * 3/2018 Oscroft D12/210

10,189,309 B2 * 1/2019 Song F16C 33/583

2007/0170033 A1 * 7/2007 French F16D 41/26

192/64

(Continued)

Primary Examiner — Michelle E. Wilson

Assistant Examiner — Clese Moore, Jr.

(57) **CLAIM**

The ornamental design for a free wheel hub adaptor, as shown and described.

DESCRIPTION

FIG. 1 is a front three dimensional exploded view of the free wheel hub adaptor showing my new design;

FIG. 2 is a side elevational exploded view thereof;

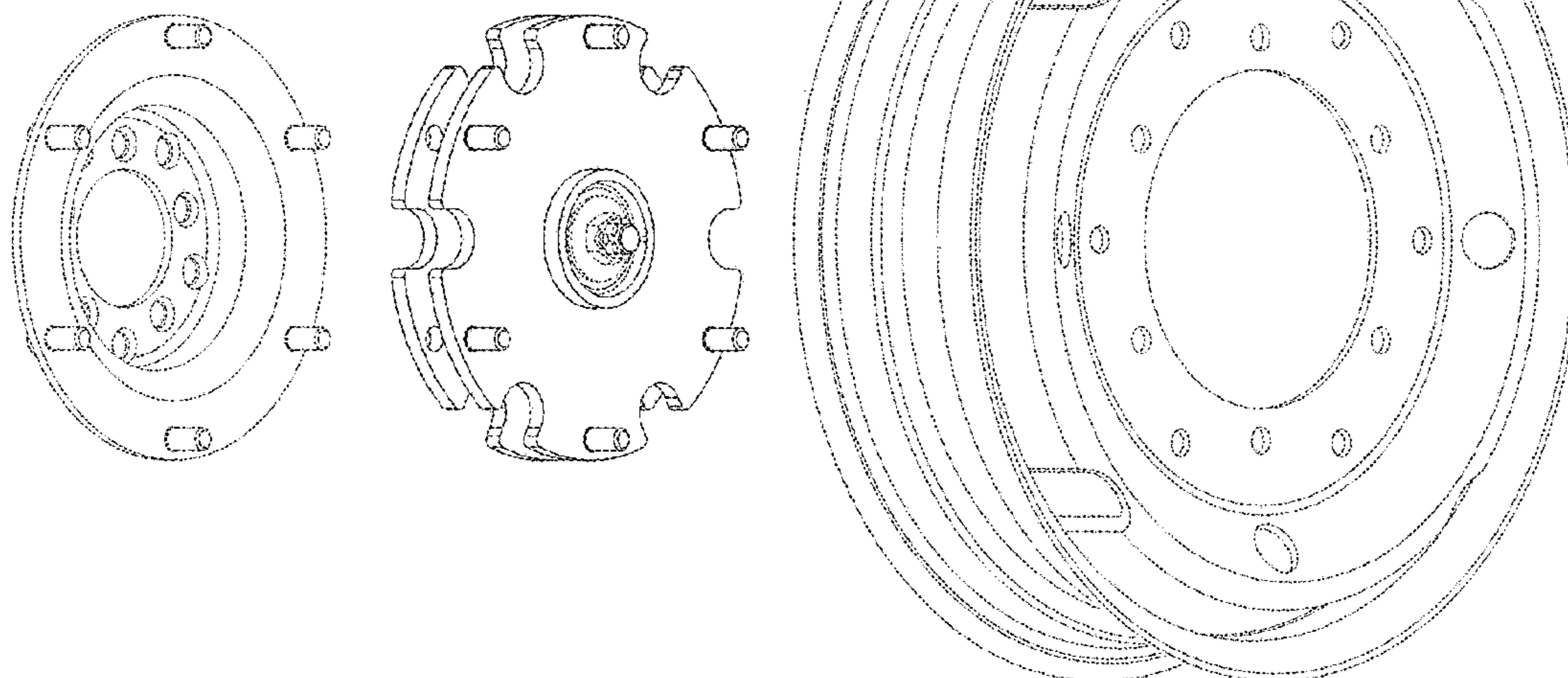
FIG. 3 is a front elevational assembly view thereof, showing the free wheel hub adaptor attached to a common wheel rim and a common wheel hub;

FIG. 4 is a rear three dimensional exploded view thereof; and,

FIG. 5 is a rear three dimensional assembly view.

In the drawings, the broken lines depict environmental subject matter only and form no part of the claimed design.

1 Claim, 5 Drawing Sheets



(56)

References Cited

U.S. PATENT DOCUMENTS

2007/0246997 A1* 10/2007 Jenkinson B60B 3/16
301/105.1
2010/0320879 A1* 12/2010 Liao H02K 1/145
310/67 A
2015/0056322 A1* 2/2015 Fridley B26D 5/02
425/313

* cited by examiner

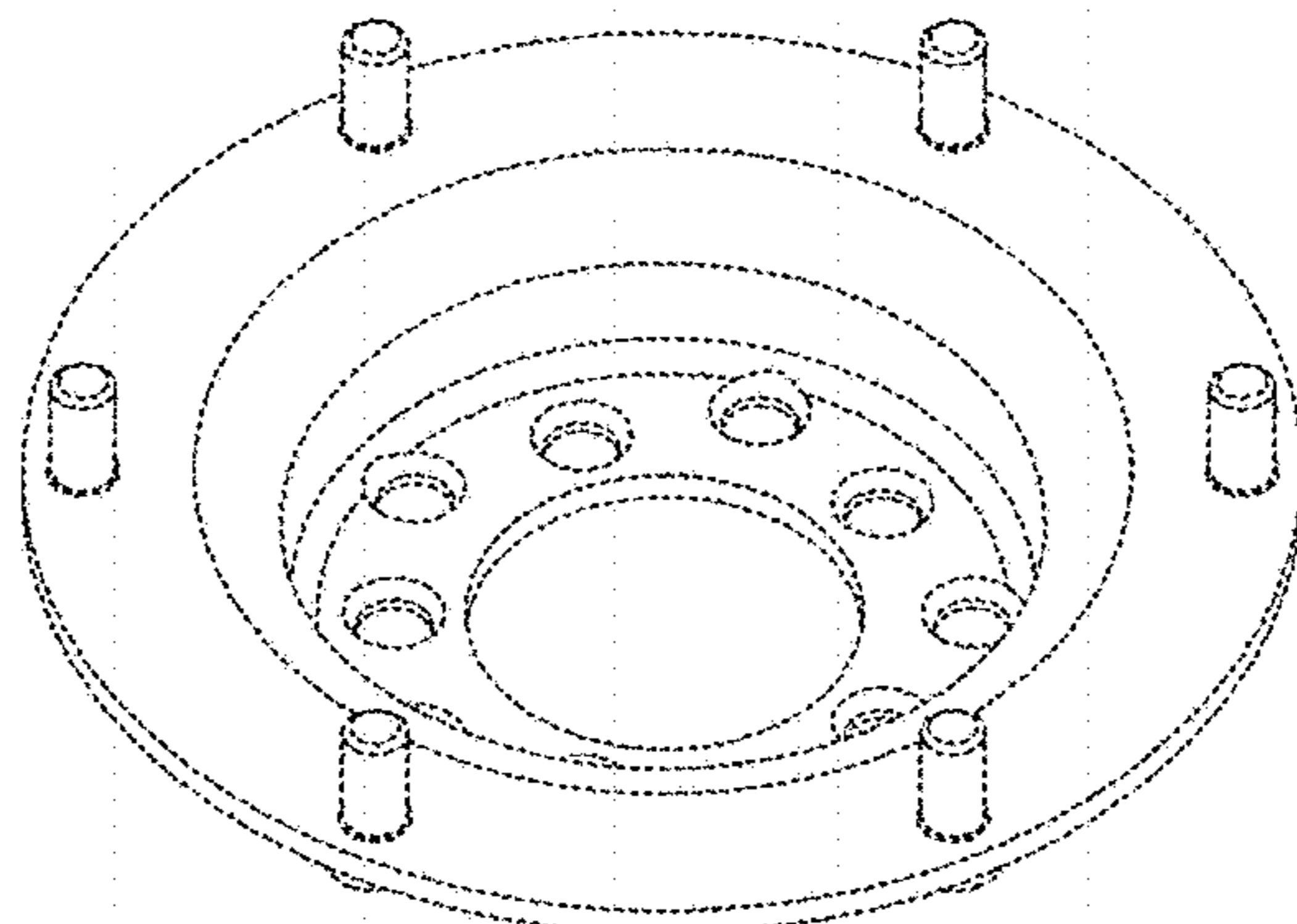
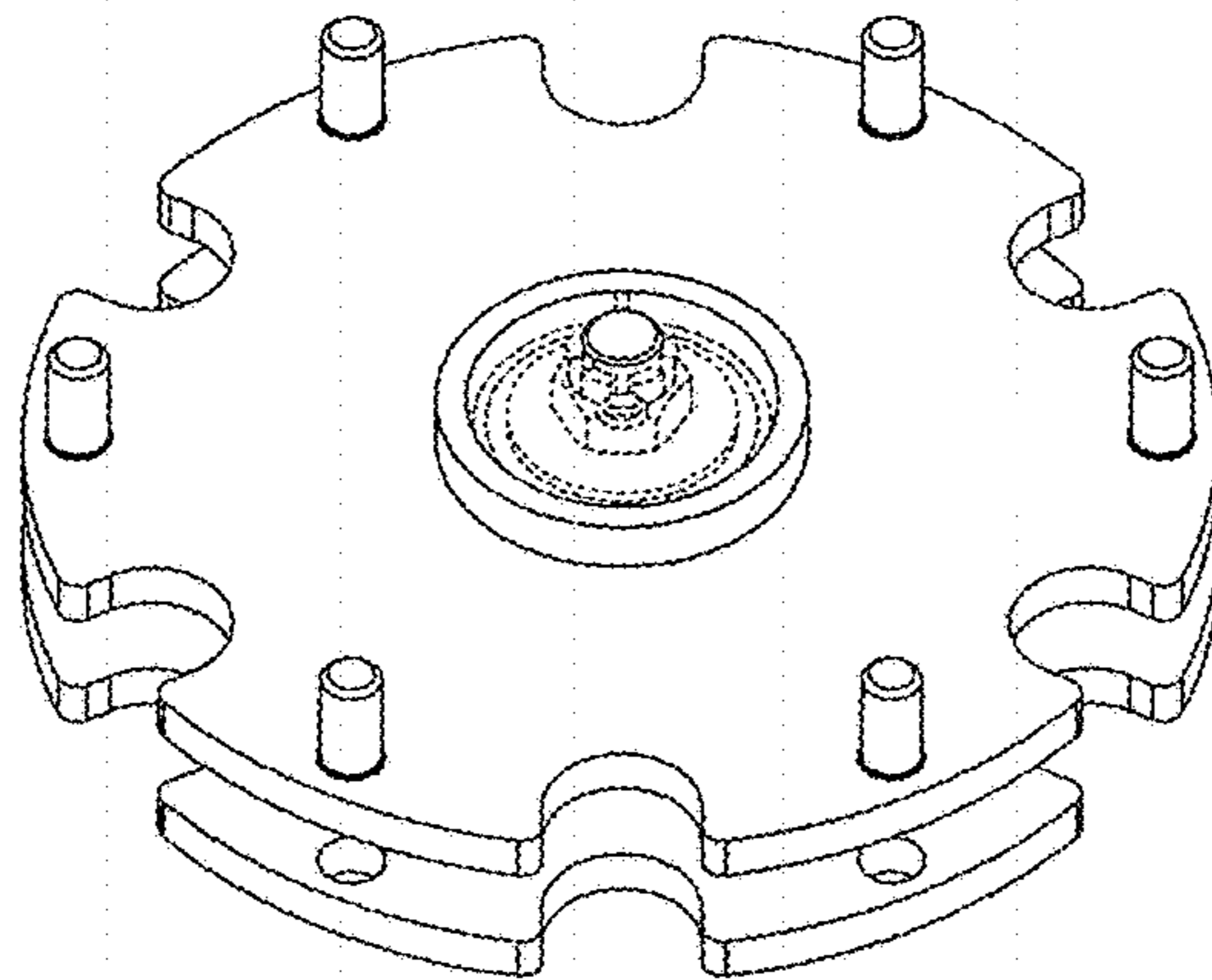
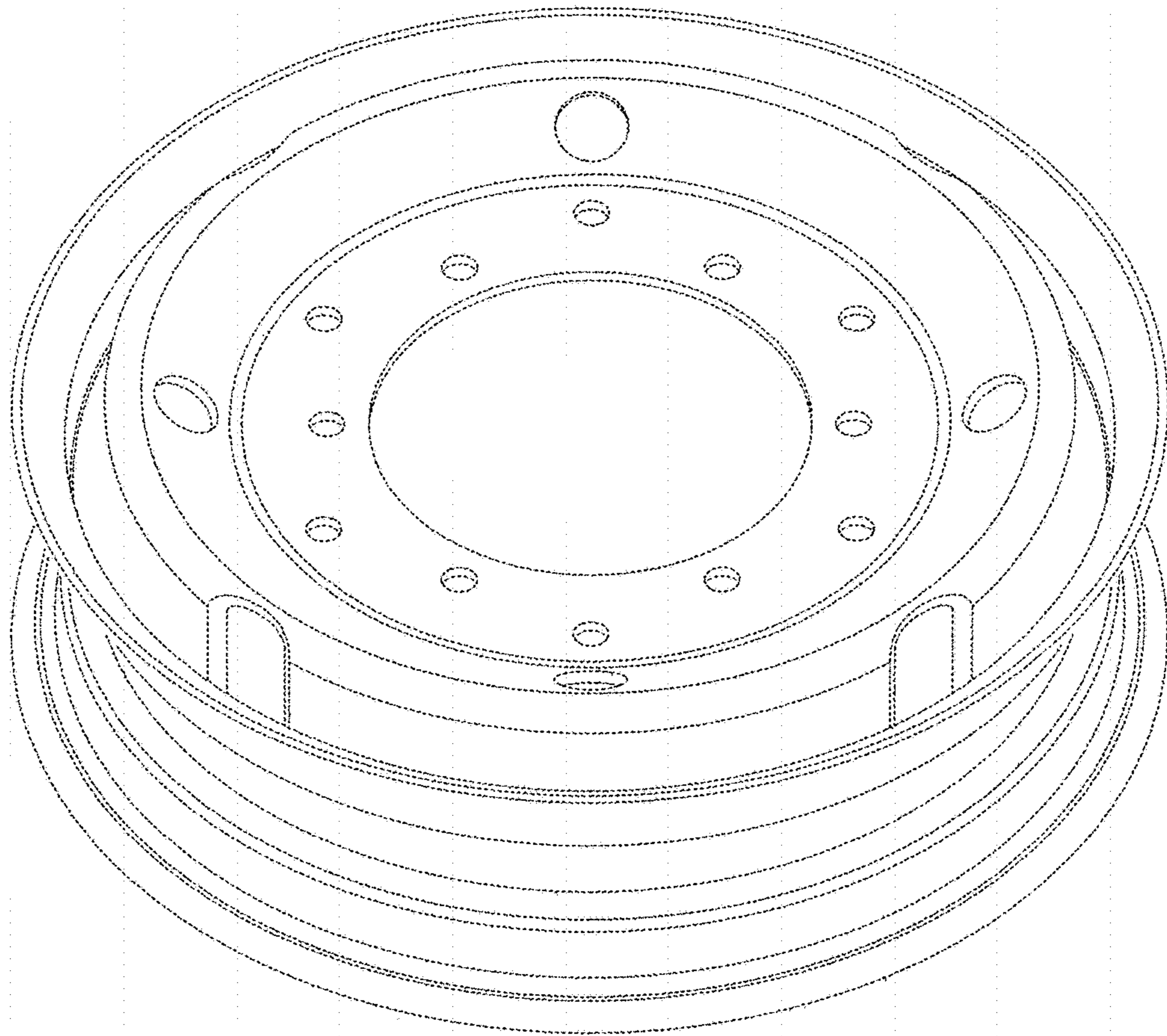


FIG 1

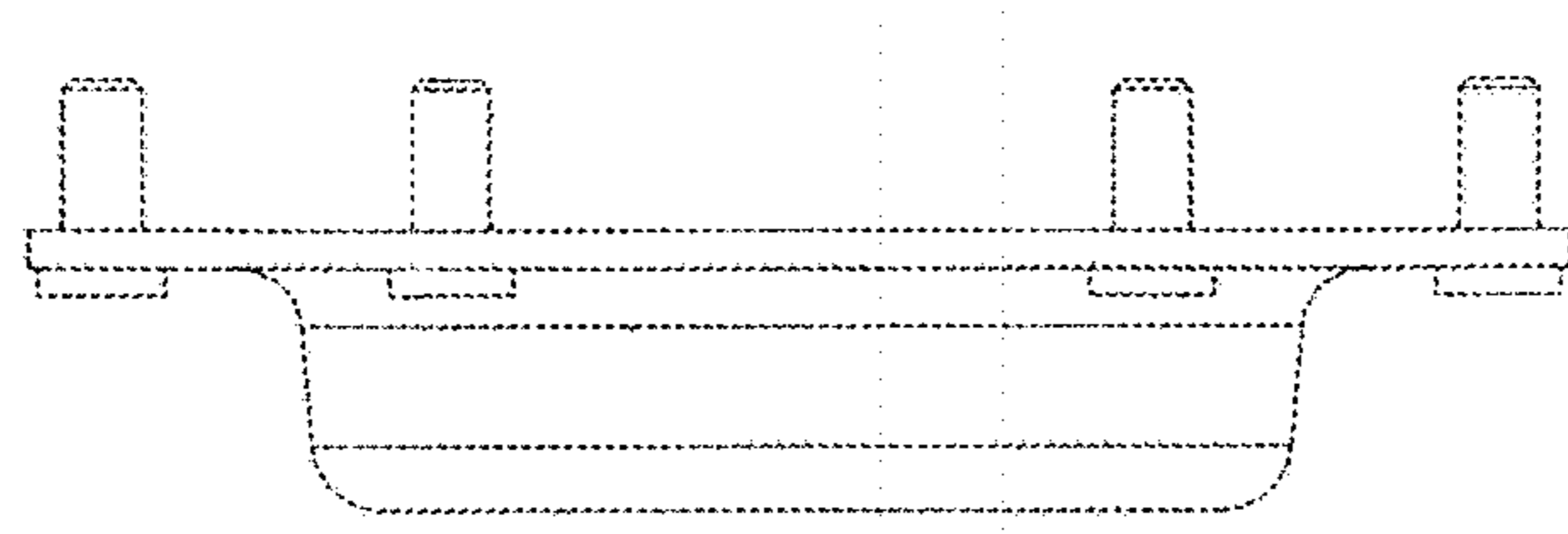
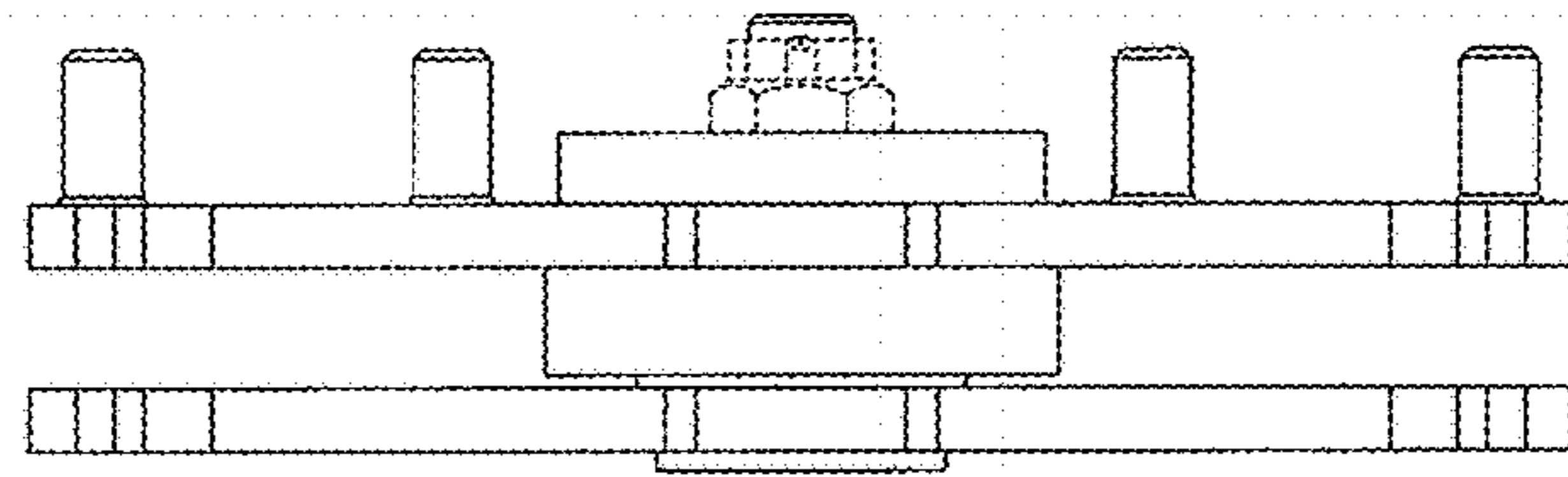
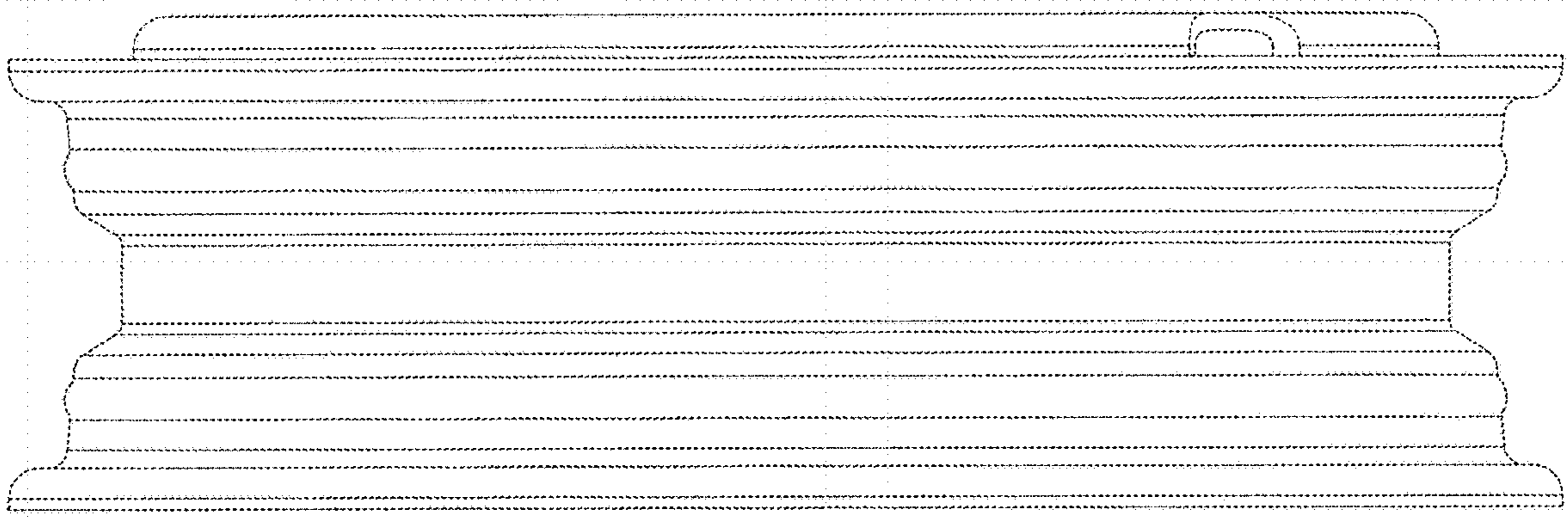


FIG. 2

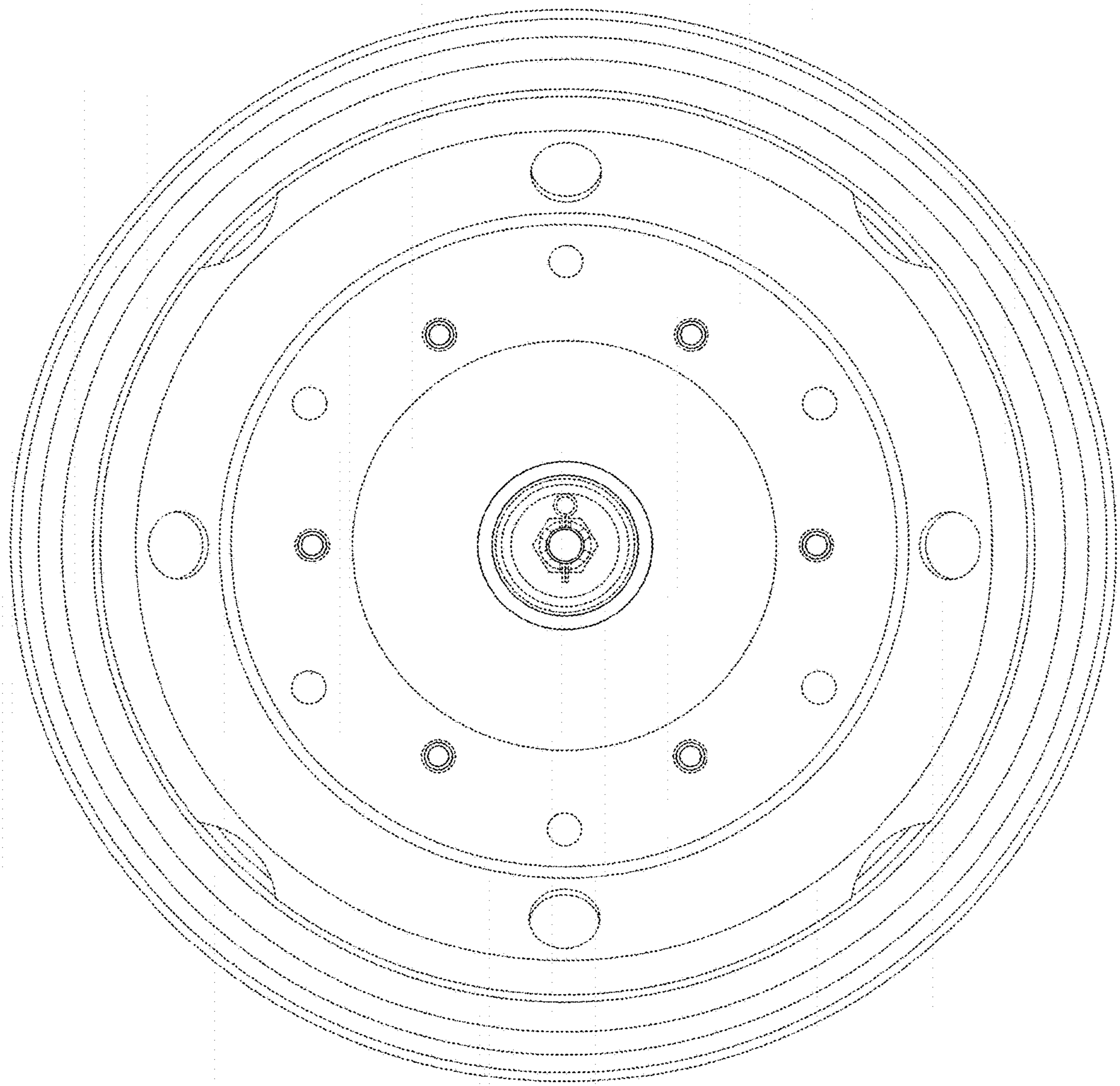


FIG 3

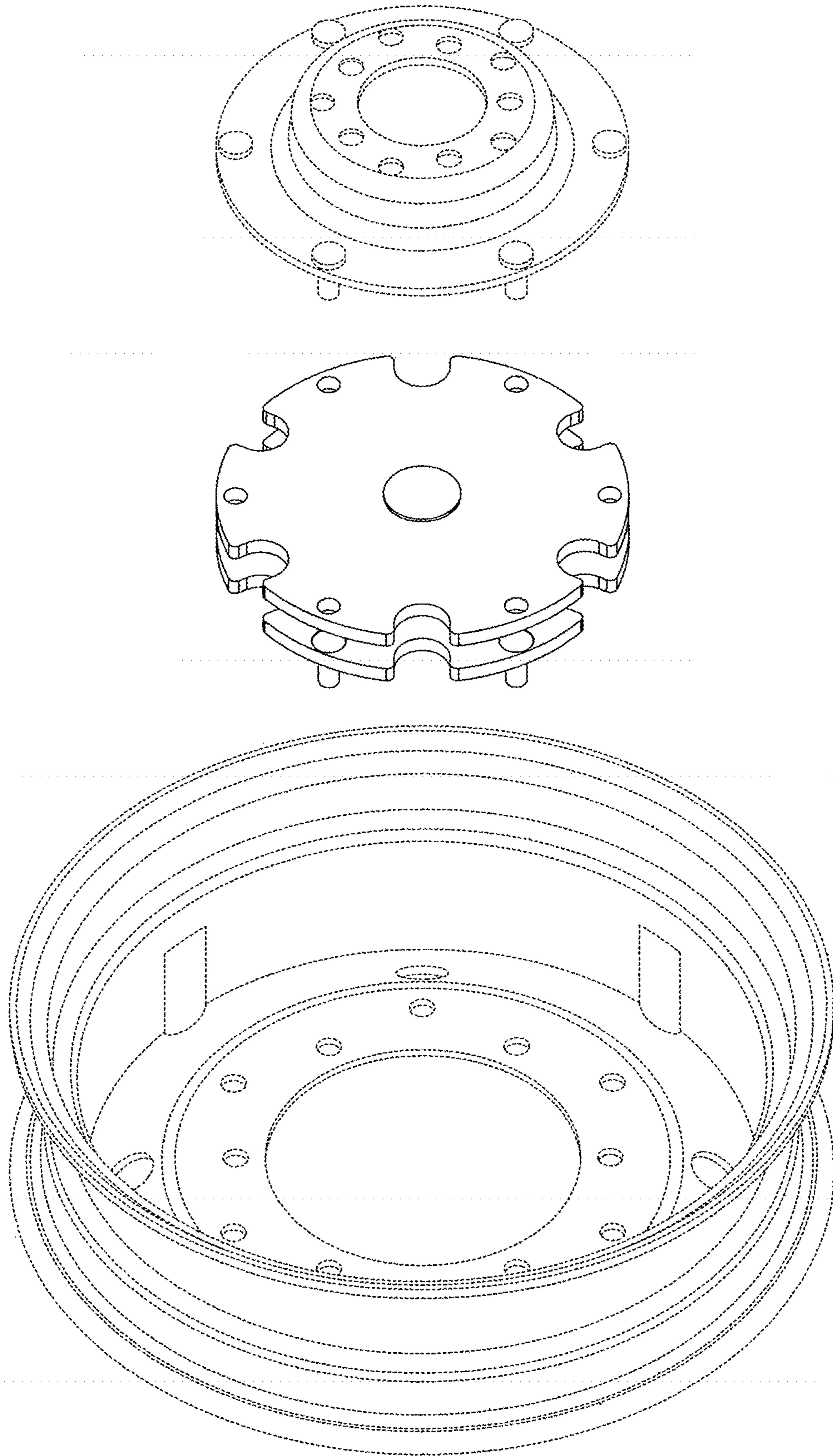


FIG. A

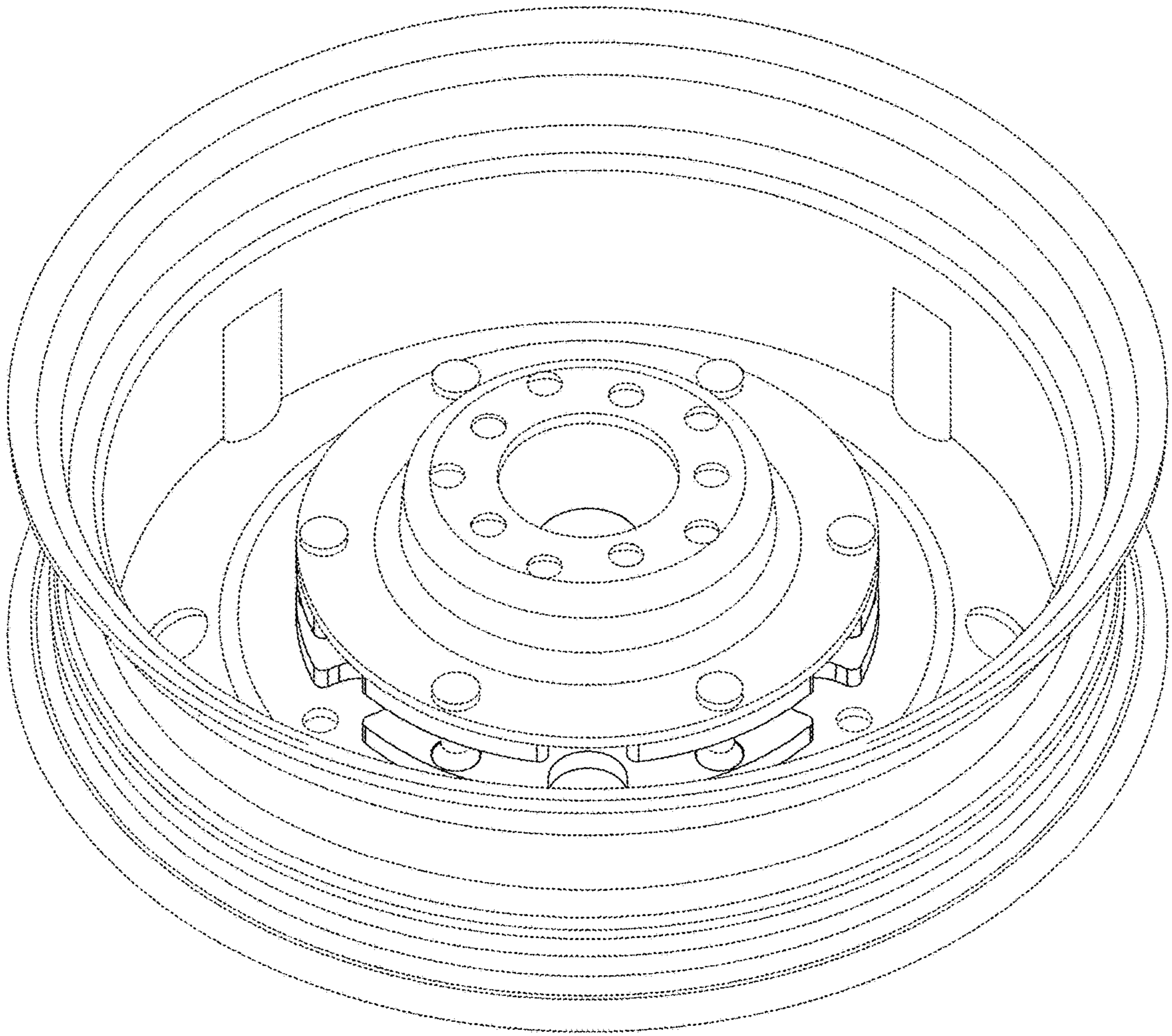


FIG 5