



US00D927382S

(12) **United States Design Patent** (10) **Patent No.:** **US D927,382 S**
Yang (45) **Date of Patent:** **** Aug. 10, 2021**

- (54) **VEHICLE MAT**
- (71) Applicant: **FORMOSA SAINT JOSE CORPORATION**, Taipei (TW)
- (72) Inventor: **Ming-Shun Yang**, Taipei (TW)
- (73) Assignee: **FORMOSA SAINT JOSE CORP.**, Taipei (TW)
- (**) Term: **15 Years**
- (21) Appl. No.: **29/724,028**
- (22) Filed: **Feb. 12, 2020**
- (51) **LOC (13) Cl.** **12-16**
- (52) **U.S. Cl.**
USPC **D12/203**
- (58) **Field of Classification Search**
USPC D12/203, 221, 400, 415, 419, 424, 191;
D6/582-586, 592-594
CPC B60N 3/044; B60N 3/04; B60R 13/01
See application file for complete search history.
- (56) **References Cited**

U.S. PATENT DOCUMENTS

D656,875 S *	4/2012	MacNeil	D12/203
8,967,697 B1 *	3/2015	Yang	B60N 3/044 296/97.23
D793,933 S *	8/2017	Alesi	D12/203
D798,796 S *	10/2017	Yang	D12/331
D800,041 S *	10/2017	Alesi	D12/203
D800,623 S *	10/2017	Alesi	D12/203
D804,386 S *	12/2017	Tan	D12/203
D853,926 S *	7/2019	Yang	D12/203
D873,754 S *	1/2020	Johnson	D12/203
D892,023 S *	8/2020	Price	D12/221
D919,536 S *	5/2021	Diamond	D12/203

2006/0091694 A1 *	5/2006	MacNeil	B29C 45/76 296/97.23
2006/0091695 A1 *	5/2006	MacNeil	B32B 27/08 296/97.23
2013/0171419 A1 *	7/2013	Tyler	B60N 3/044 428/167
2017/0182920 A1 *	6/2017	Reband	B60N 3/044
2017/0203679 A1 *	7/2017	Bouchard	B60N 3/044
2018/0015862 A1 *	1/2018	Chavez Martinez	..	B60N 3/044
2020/0324679 A1 *	10/2020	Gonzalez Carrillo	.	B60N 3/044

OTHER PUBLICATIONS

“Kagu Floor Liners” Floor Liners., posted date Jul. 10, 2019 [online], [retrieved on Jun. 2, 2021]. Retrieved from the Internet <URL: <https://floor-liners.com/classic-floor-liner-set.html>> (Year: 2019).*

(Continued)

Primary Examiner — Darlington Ly
Assistant Examiner — Nasim Abdulaziz Ali
(74) *Attorney, Agent, or Firm* — Pro-Techt International Services; Ian Oglesby

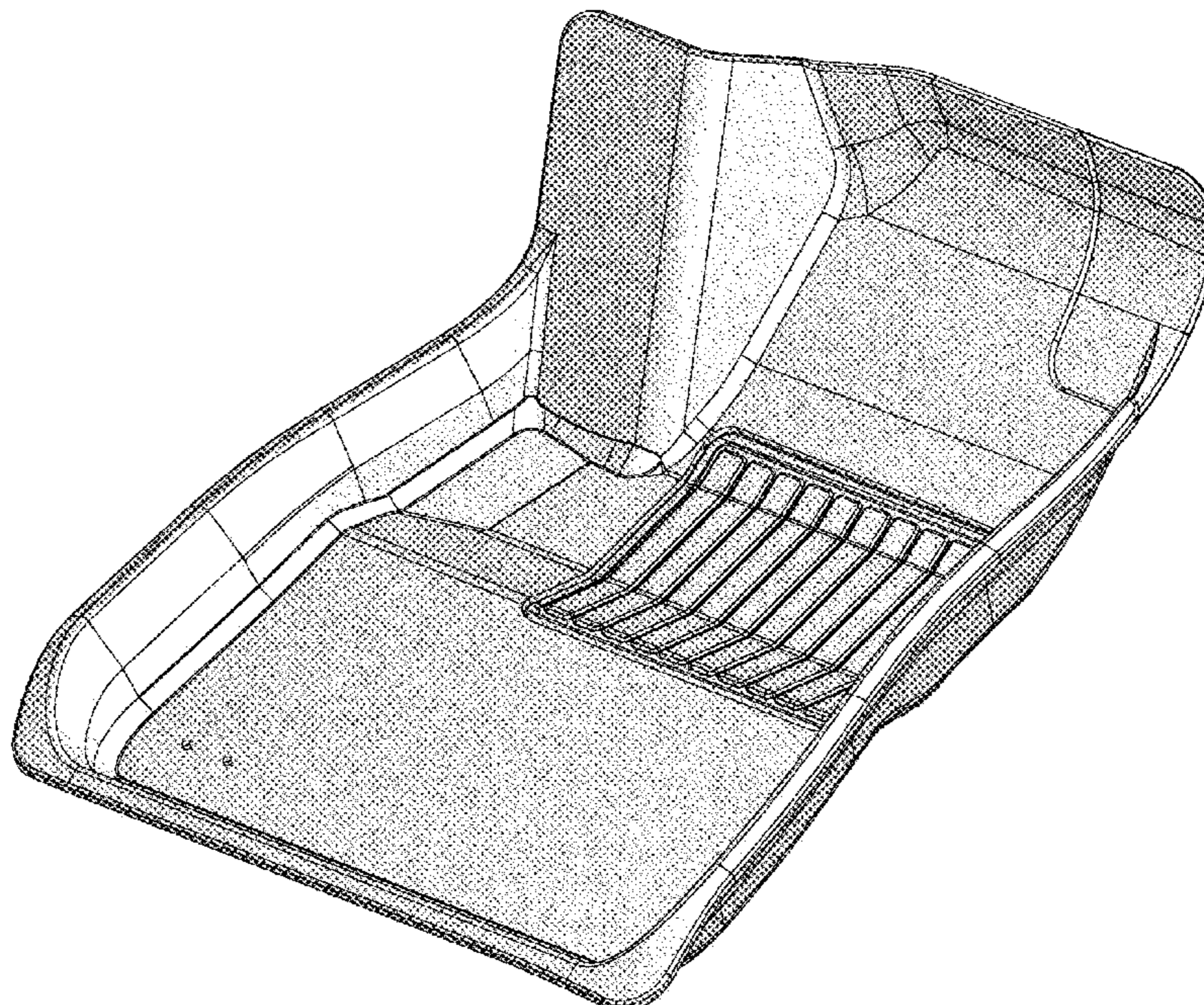
(57) **CLAIM**

The ornamental design for a vehicle mat, as shown and described.

DESCRIPTION

FIG. 1 is a perspective view of a vehicle mat showing my new design;
FIG. 2 is a front elevational view thereof;
FIG. 3 is a rear elevational view thereof;
FIG. 4 is a left side elevational view thereof;
FIG. 5 is a right side elevational view thereof;
FIG. 6 is a top plan view thereof; and,
FIG. 7 is a bottom plan view thereof.

1 Claim, 7 Drawing Sheets



(56)

References Cited

OTHER PUBLICATIONS

“Elegant Perfect Fit Carpet Floor Liner” 3DMatsUSA., posted date Jan. 19, 2018 [online], [retrieved on Jun. 2, 2021]. Retrieved from the Internet <URL: https://www.3dmatsusa.com/material-detail/4-vehicle_make=Please%20Select%20Make&vehicle_model=&vehicle_year=0> (Year: 2018).*

“3D MAXpider All-Weather Floor Mats” 3D MAXpider., posted date May 24, 2018 [online], [retrieved on Jun. 2, 2021]. Retrieved from the Internet <URL: https://www.amazon.com/3D-MAXpider-B07D9GMYG8-Complete-All-Weather/dp/B07D9GMYG8/ref=sr_1_36?dchild=1&keywords=3d+molded+car+mat&qid=1622665879&sr=8-36> (Year: 2018).*

* cited by examiner

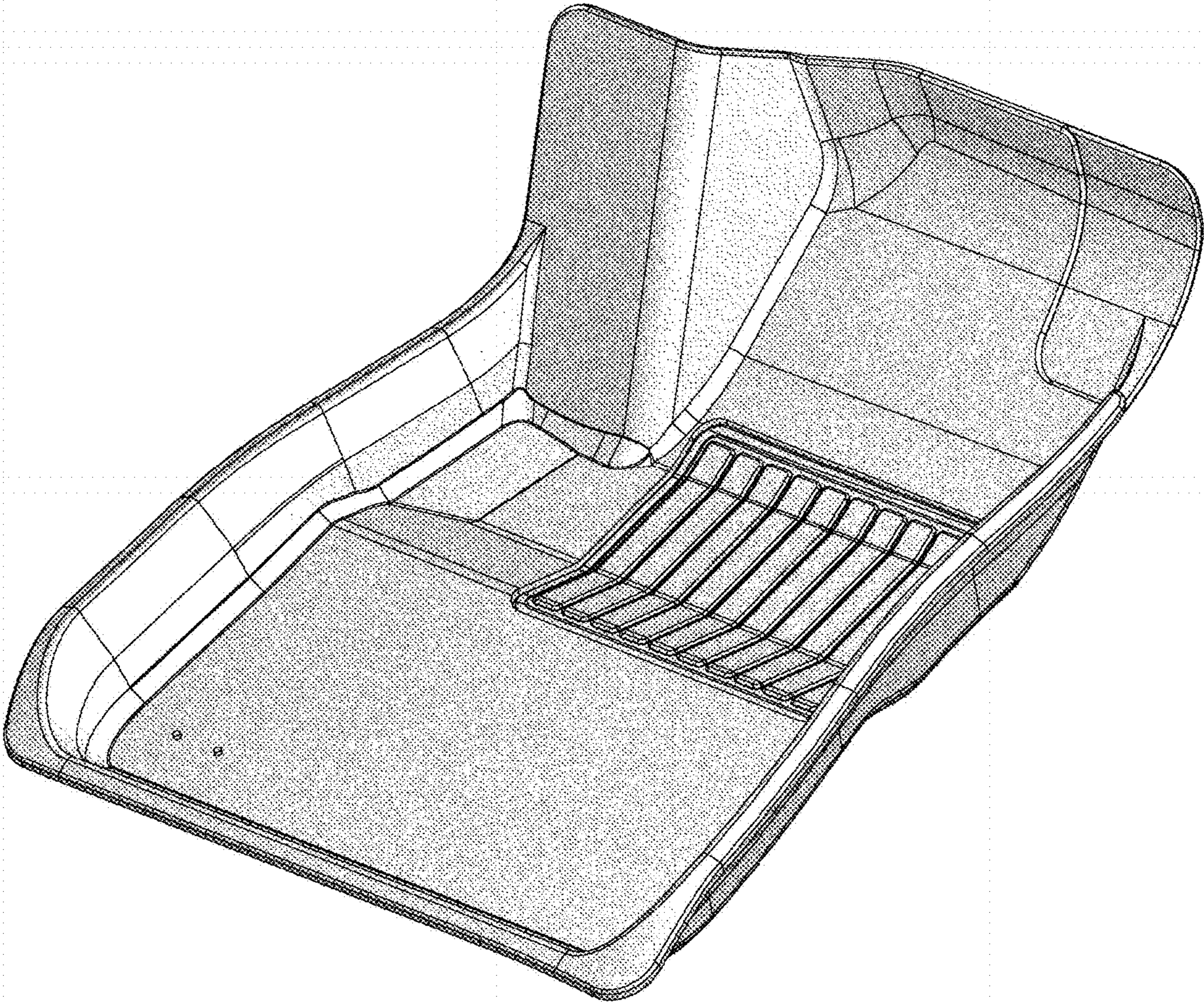


FIG. 1

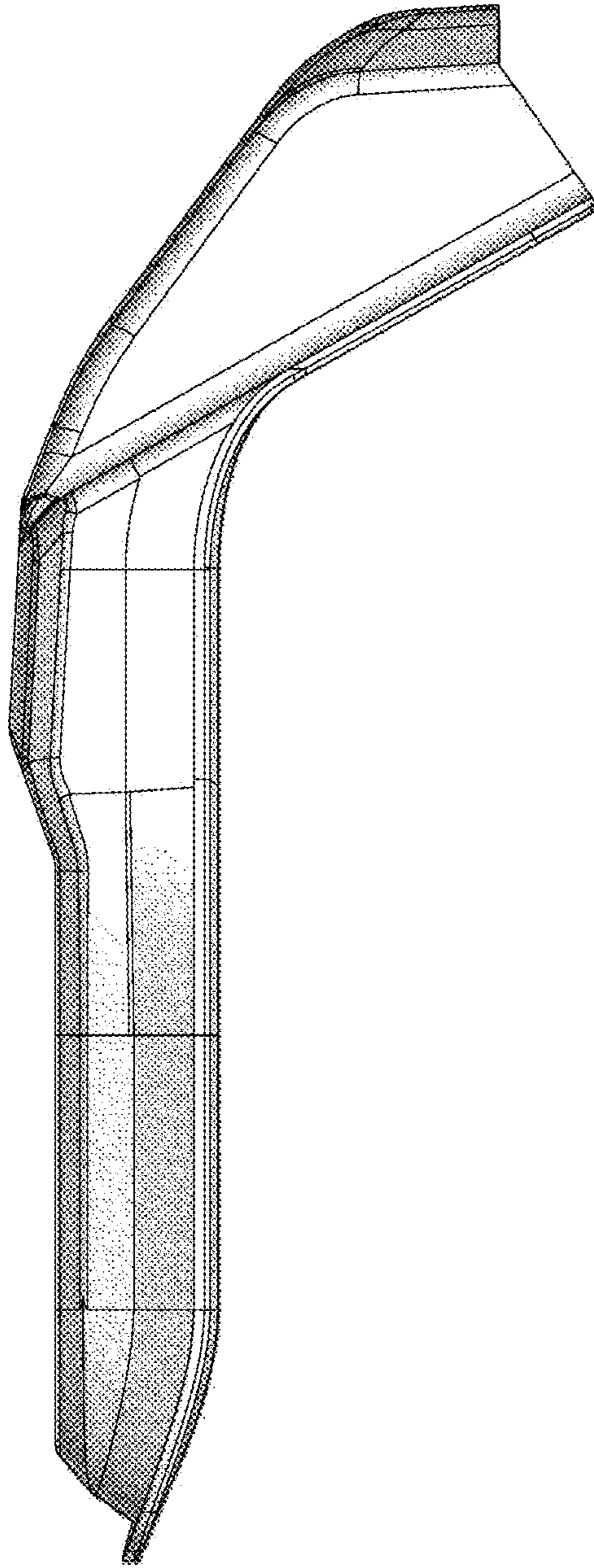


FIG. 2

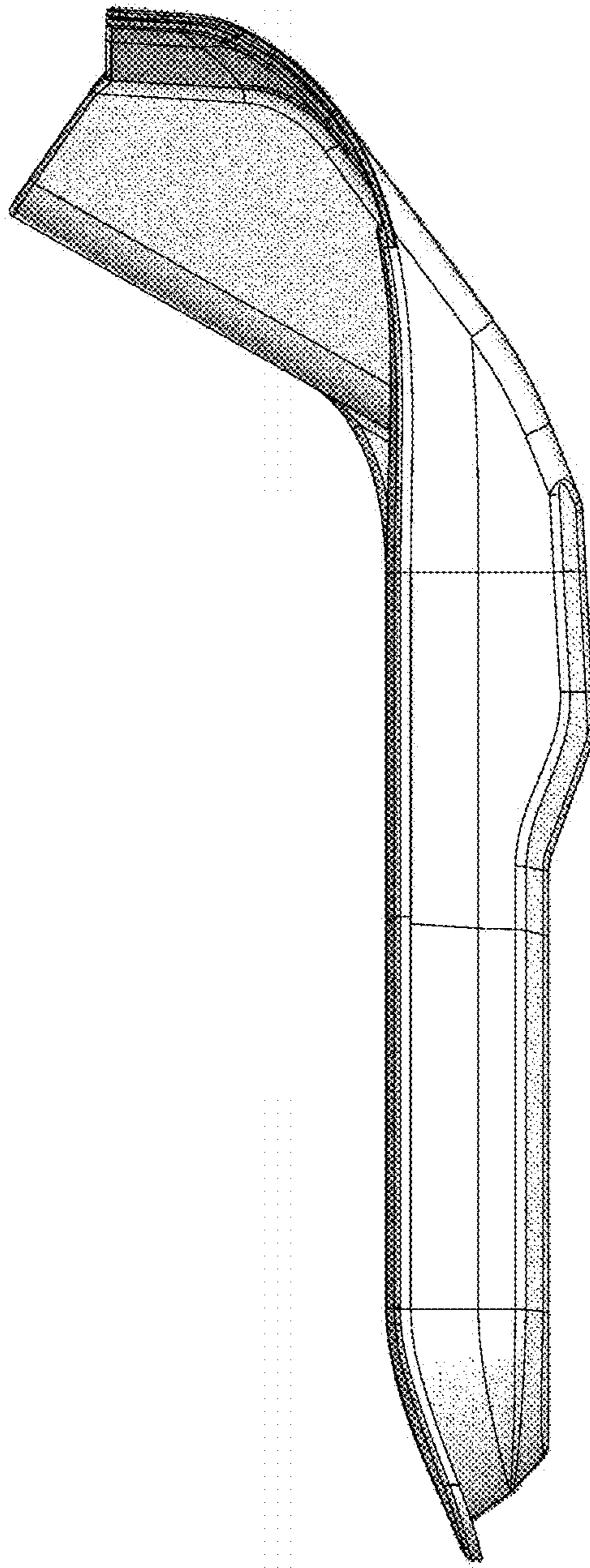


FIG. 3

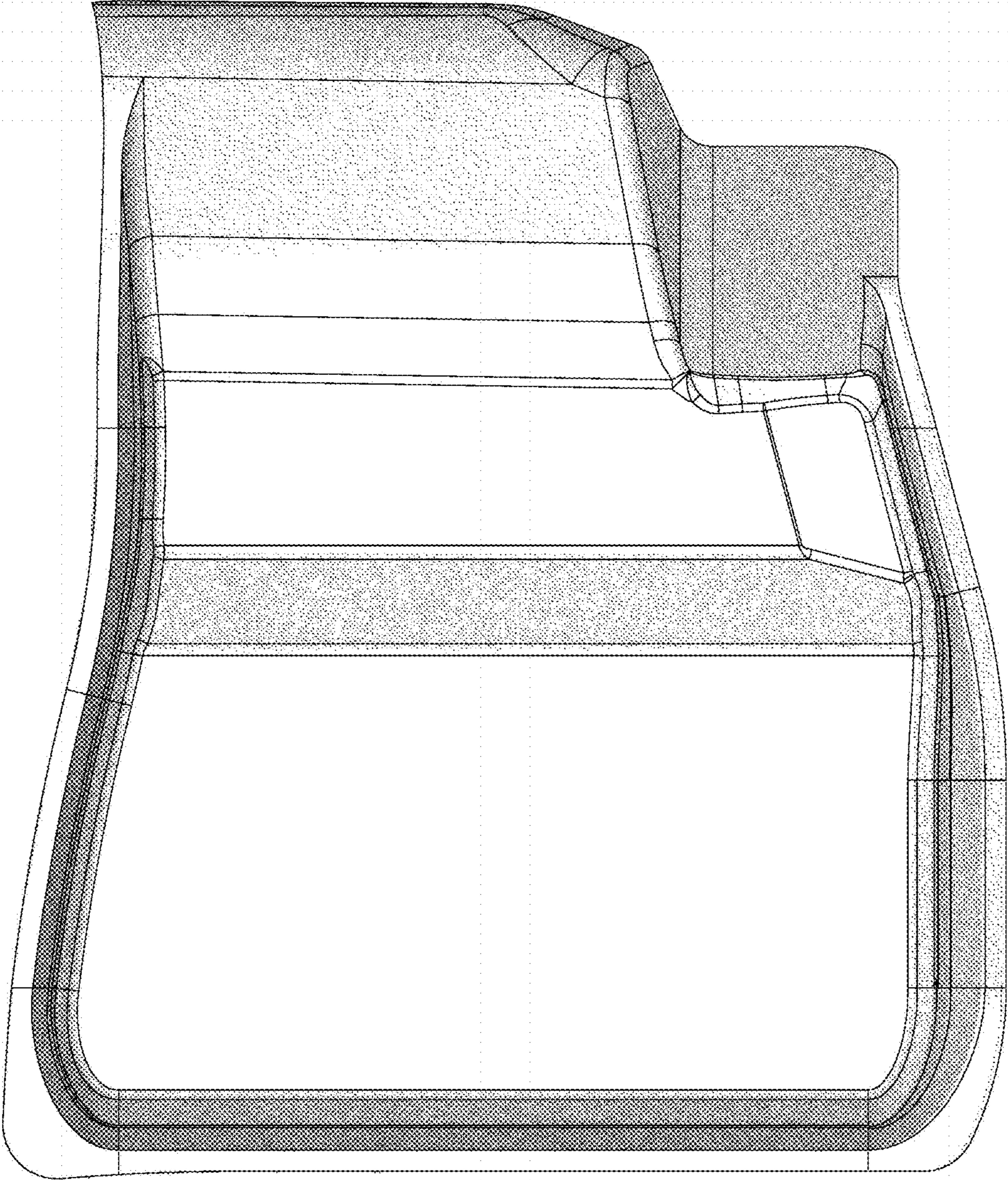


FIG. 4

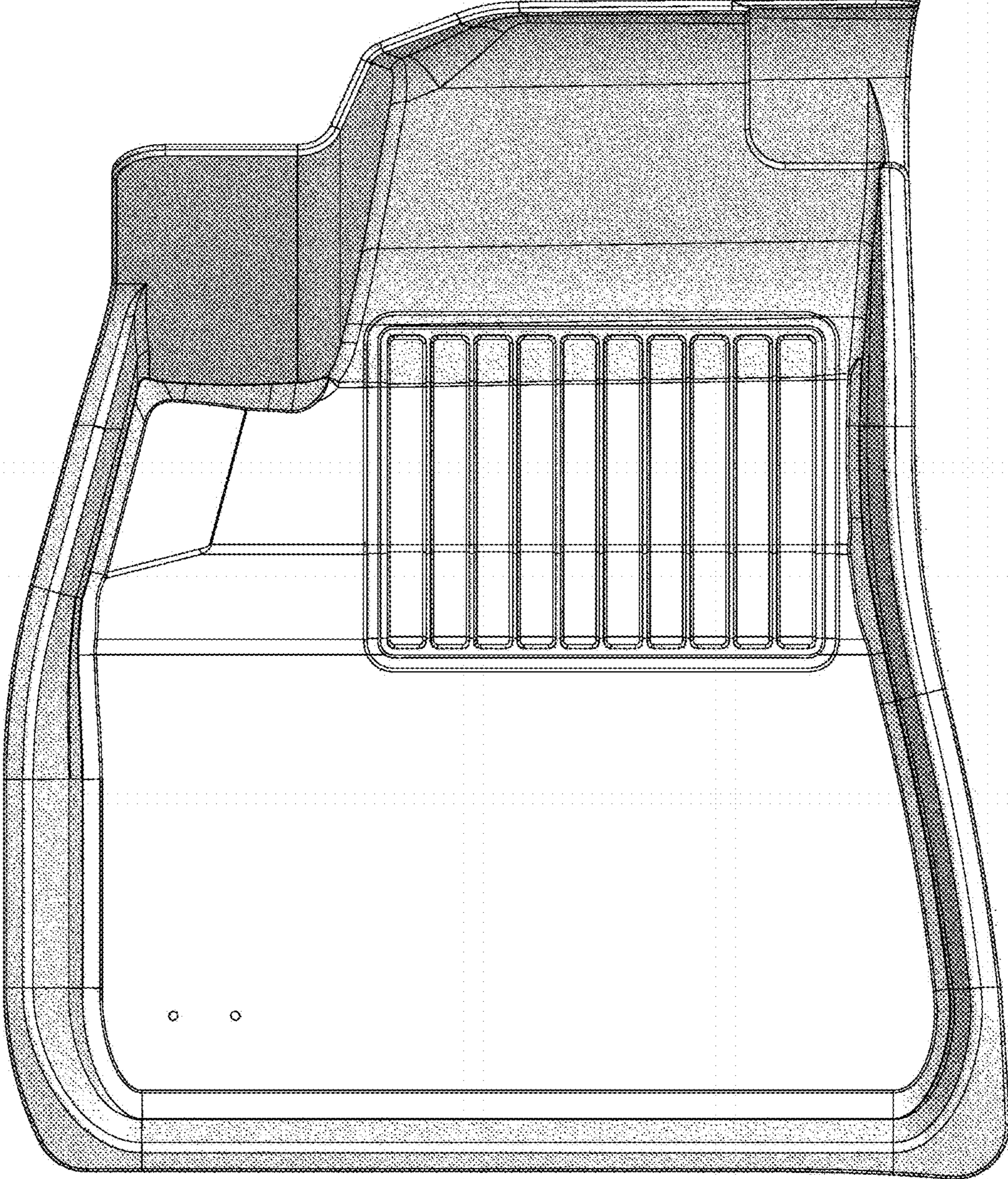


FIG. 5

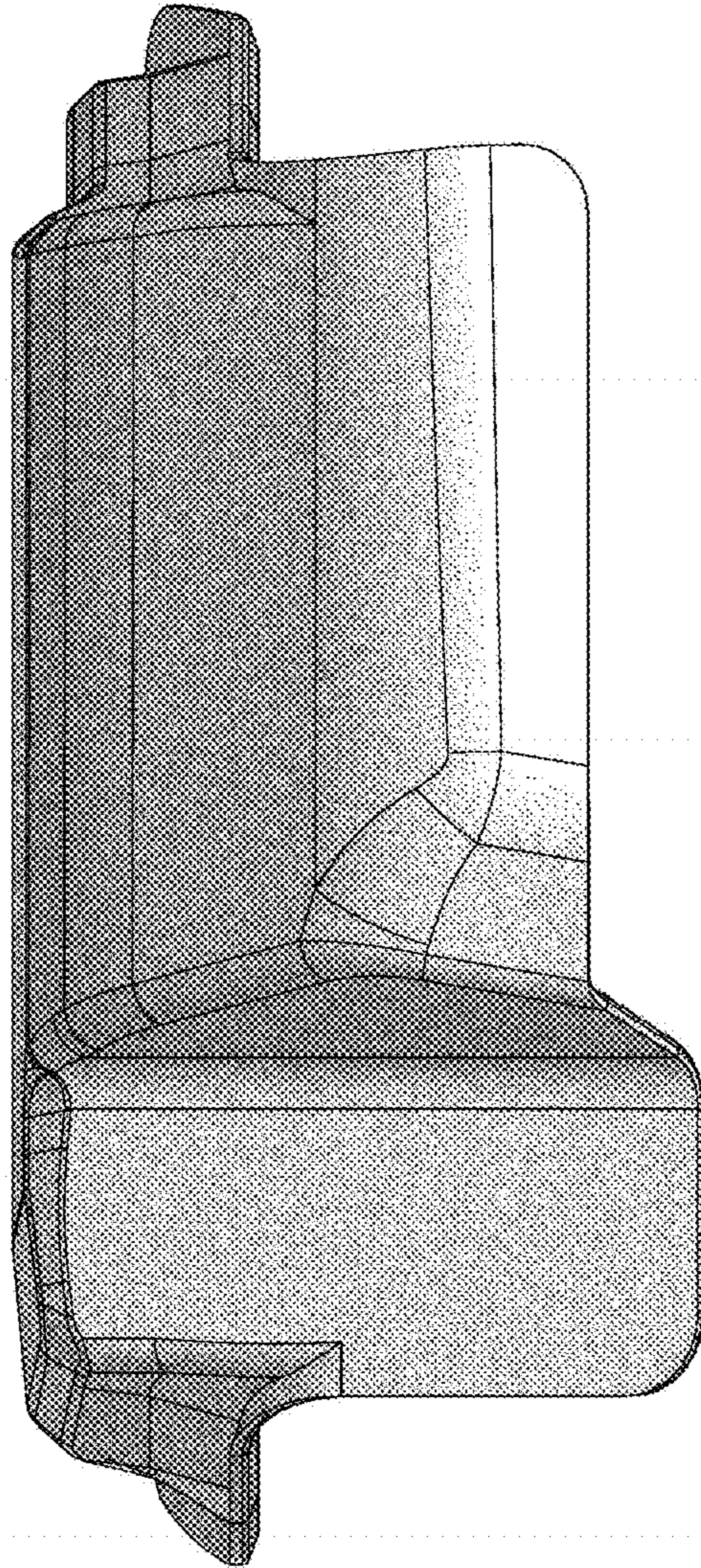


FIG. 6

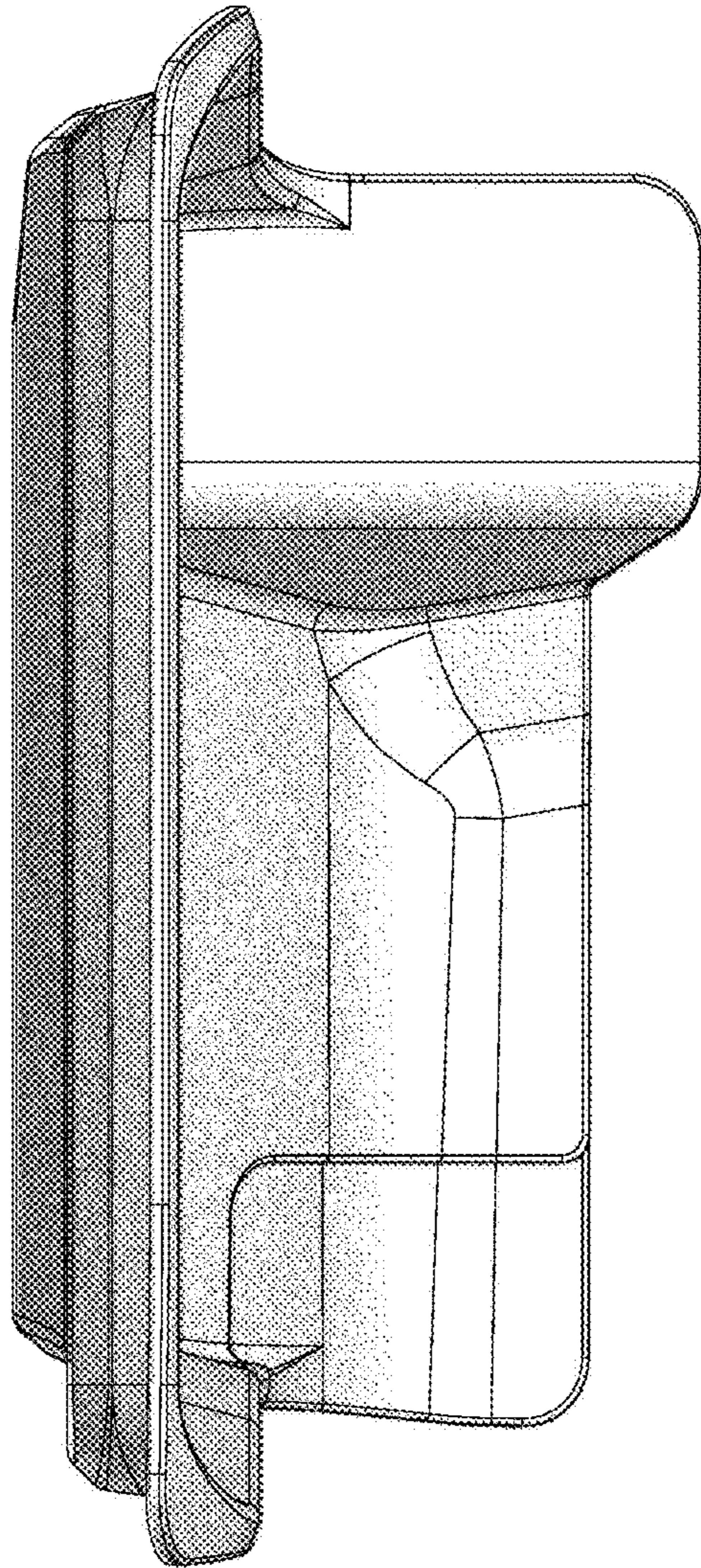


FIG. 7