



US00D927381S

(12) **United States Design Patent** (10) **Patent No.:** **US D927,381 S**
Yang (45) **Date of Patent:** **** Aug. 10, 2021**

(54) **VEHICLE MAT**

(71) Applicant: **FORMOSA SAINT JOSE CORPORATION**, Taipei (TW)

(72) Inventor: **Ming-Shun Yang**, Taipei (TW)

(73) Assignee: **FORMOSA SAINT JOSE CORP.**, Taipei (TW)

(**) Term: **15 Years**

(21) Appl. No.: **29/724,024**

(22) Filed: **Feb. 12, 2020**

(51) **LOC (13) Cl.** **12-16**

(52) **U.S. Cl.**
USPC **D12/203**

(58) **Field of Classification Search**
USPC D12/203, 221, 400, 415, 419, 424, 191;
D6/582-586, 592-594
CPC B60N 3/044; B60N 3/04; B60R 13/01
See application file for complete search history.

(56) **References Cited**

U.S. PATENT DOCUMENTS

3,337,258	A	*	8/1967	Steinberg	B60N 3/04
						296/97.23
D432,477	S	*	10/2000	Gorodetsky	D12/203
D438,152	S	*	2/2001	Hussaini	D12/203
D450,025	S	*	11/2001	Lu	D12/203
D577,647	S	*	9/2008	Hsu	D12/203
D701,155	S	*	3/2014	Lu	D12/203
D703,976	S	*	5/2014	Mauro	D6/592
D721,025	S	*	1/2015	Lu	D12/203
D758,760	S	*	6/2016	Mauro	D6/582
D775,043	S	*	12/2016	Lu	D12/203
D783,485	S	*	4/2017	Lu	D12/203
D794,524	S	*	8/2017	Boyce, II	D12/203
D833,358	S	*	11/2018	Lu	D12/203

OTHER PUBLICATIONS

“Black/Rear FloorLiner/Acura/RDX/2019” WeatherTech., posted date Apr. 2, 2014 [online], [retrieved on Jun. 2, 2021]. Retrieved from the Internet <URL: https://www.homedepot.com/p/WeatherTech-Black-Rear-FloorLiner-Acura-RDX-2019-4414692/308409414> (Year: 2014).*

“MAXLINER Floor Mats 2nd Row Liner” MAX Liner., posted date Aug. 25, 2015 [online], [retrieved on Jun. 2, 2021]. Retrieved from the Internet <URL: https://www.amazon.com/SMARTLINER-Floor-Liner-Black-1999-2010/dp/B014F6QWZG/ref=sr_1_24?dchild=1&keywords=2nd+row+vehicle+floor+mat&qid=1622669269&sr=8-24> (Year: 2015).*

“WeatherTech® 465583—DigitalFit™ 2nd Row Gray Molded Floor Liner” IDCarid., posted date Dec. 1, 2016 [online], [retrieved on Jun. 2, 2021]. Retrieved from the Internet <URL: https://www.carid.com/weathertech/digitalfit-2nd-row-gray-molded-floor-liner-mpn-465583.html> (Year: 2016).*

* cited by examiner

Primary Examiner — Darlington Ly

Assistant Examiner — Nasim Abdulaziz Ali

(74) *Attorney, Agent, or Firm* — Pro-Techt International Services; Ian Oglesby

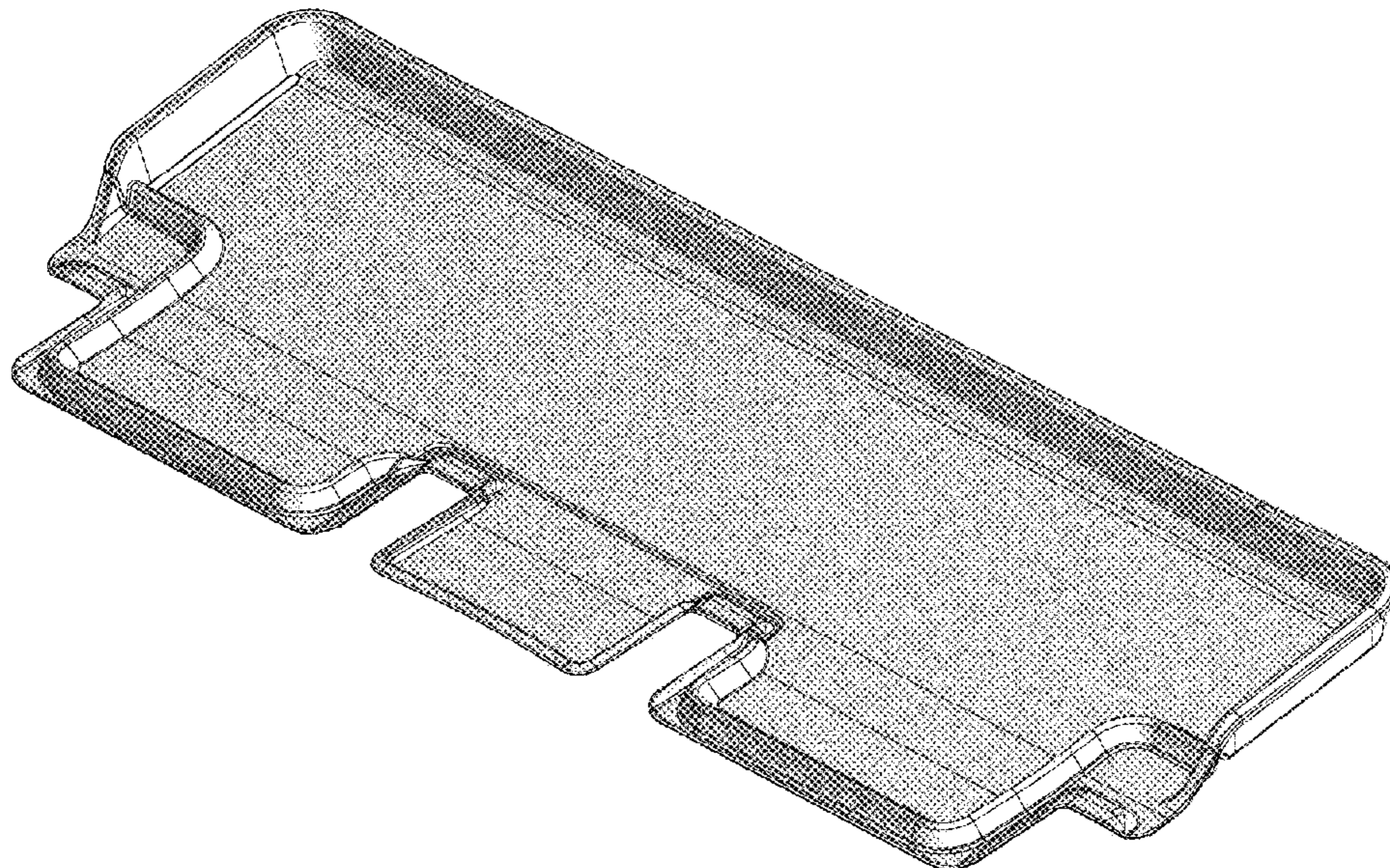
(57) **CLAIM**

The ornamental design for a vehicle mat, as shown and described.

DESCRIPTION

FIG. 1 is a perspective view of a vehicle mat showing my new design;
FIG. 2 is a front elevational view thereof;
FIG. 3 is a rear elevational view thereof;
FIG. 4 is a left side elevational view thereof;
FIG. 5 is a right side elevational view thereof;
FIG. 6 is a top plan view thereof; and,
FIG. 7 is a bottom plan view thereof.

1 Claim, 6 Drawing Sheets



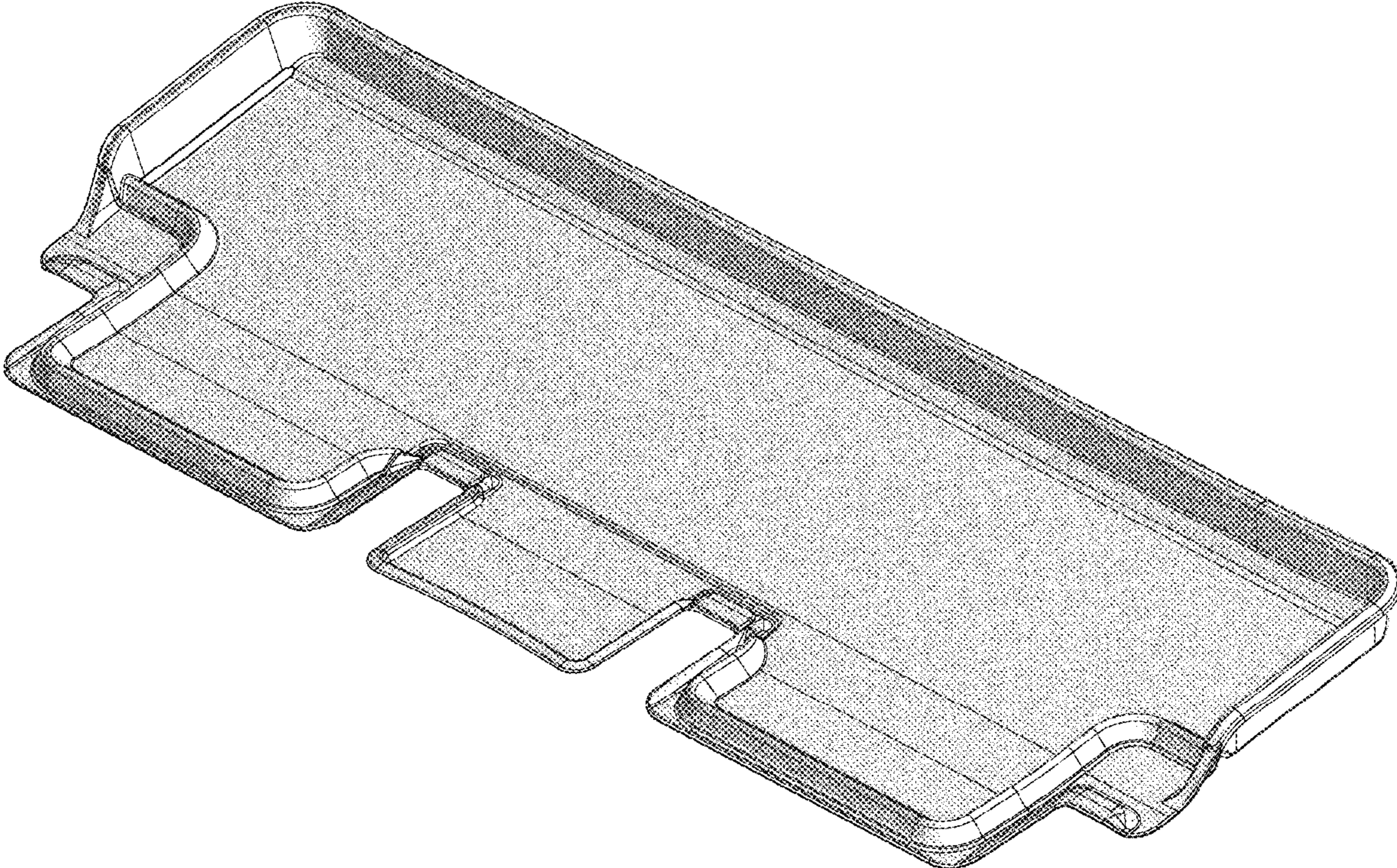


FIG. 1

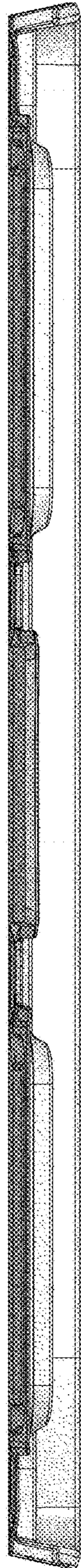


FIG. 2

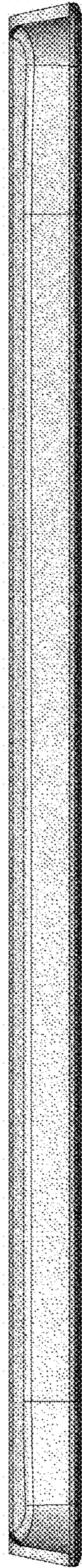


FIG. 3

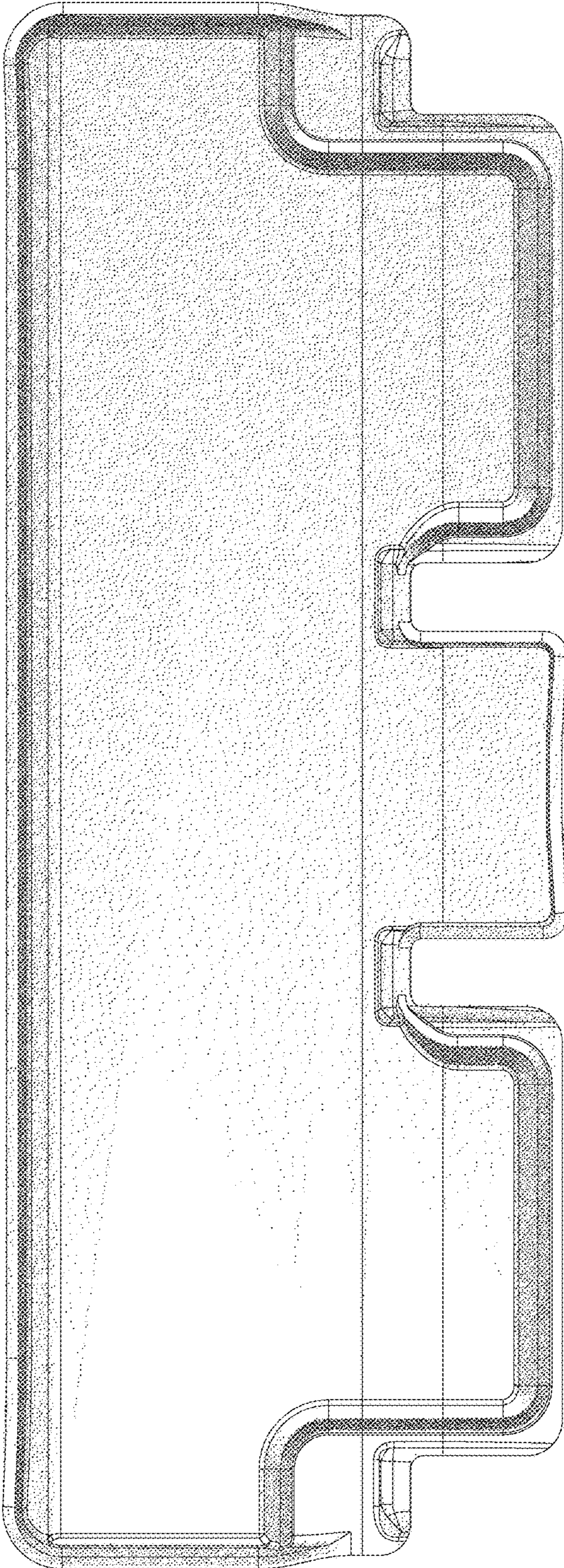


FIG. 4

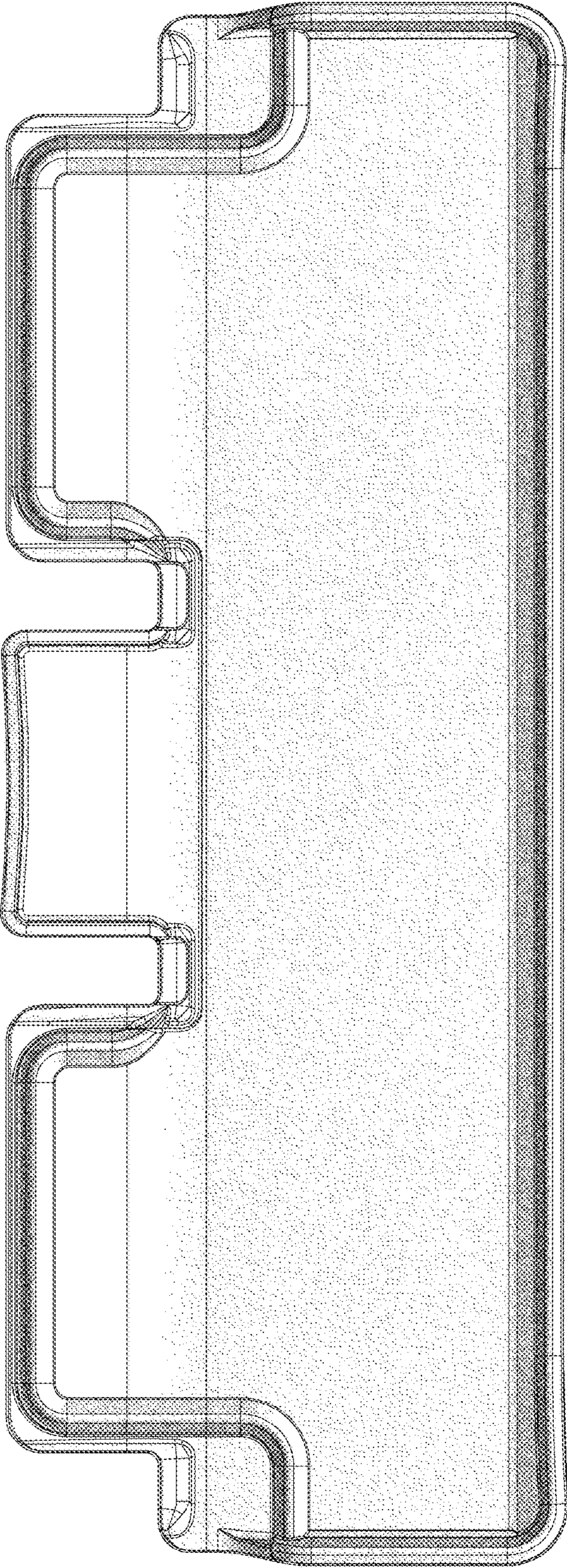


FIG. 5

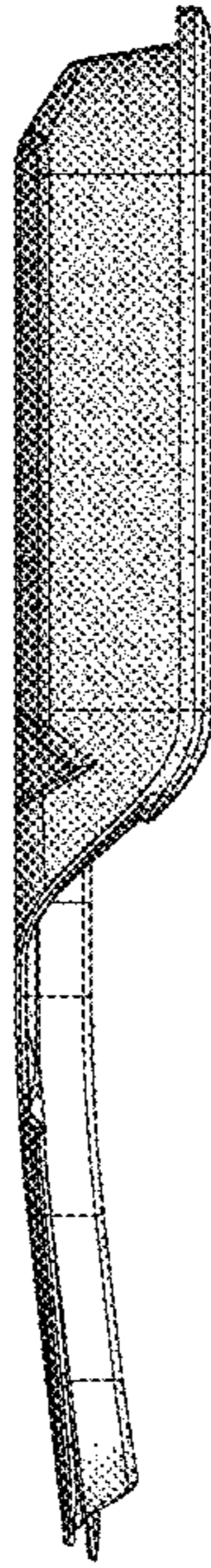


FIG. 6

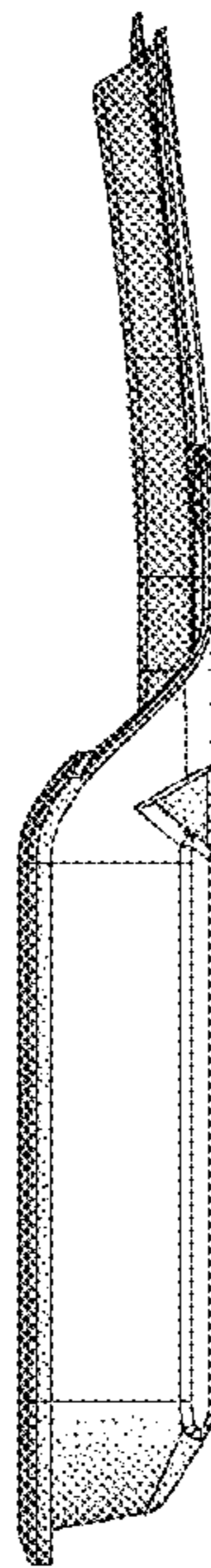


FIG. 7