



US00D927378S

(12) **United States Design Patent**
Manzoni

(10) **Patent No.:** **US D927,378 S**

(45) **Date of Patent:** **** Aug. 10, 2021**

(54) **REAR HATCH OF A VEHICLE OR TOY VEHICLE**

(71) Applicant: **Ferrari S.p.A.**, Modena (IT)

(72) Inventor: **Flavio Manzoni**, Maranello (IT)

(73) Assignee: **FERRARI S.p.A.**, Modena (IT)

(**) Term: **15 Years**

(21) Appl. No.: **29/705,370**

(22) Filed: **Sep. 11, 2019**

(30) **Foreign Application Priority Data**

Mar. 15, 2019 (EM) 006307054

(51) **LOC (13) Cl.** **12-16**

(52) **U.S. Cl.**
USPC **D12/196**

(58) **Field of Classification Search**
USPC D12/190, 193, 195, 196, 414; D21/424,
D21/433, 434

CPC B62D 35/00; B62D 33/00; B62D 25/00;
B62D 25/06; B62D 25/08

See application file for complete search history.

(56) **References Cited**

U.S. PATENT DOCUMENTS

D672,697 S * 12/2012 Saracoglu D12/196
D700,876 S * 3/2014 Jevremovic D12/196
D769,782 S * 10/2016 Kozub D12/196
9,580,118 B2 * 2/2017 Cardile B62D 37/02
D780,653 S * 3/2017 Lee D12/196

D788,667 S * 6/2017 Dempsey D12/196
D832,367 S * 10/2018 Langberg D21/548
D839,808 S * 2/2019 Manzoni D12/196
D852,899 S * 7/2019 Langberg D21/548
10,549,611 B2 * 2/2020 Chaaya B29C 65/1432
D878,268 S * 3/2020 Bracy B60J 7/1642
D12/196
D889,343 S * 7/2020 Bertin D12/196
D891,341 S * 7/2020 Stopka D12/196

* cited by examiner

Primary Examiner — Brett Miller

Assistant Examiner — Suzanne E Tisdell

(74) *Attorney, Agent, or Firm* — Cowan, Liebowitz & Latman, P.C.; Anastasia Zhadina

(57) **CLAIM**

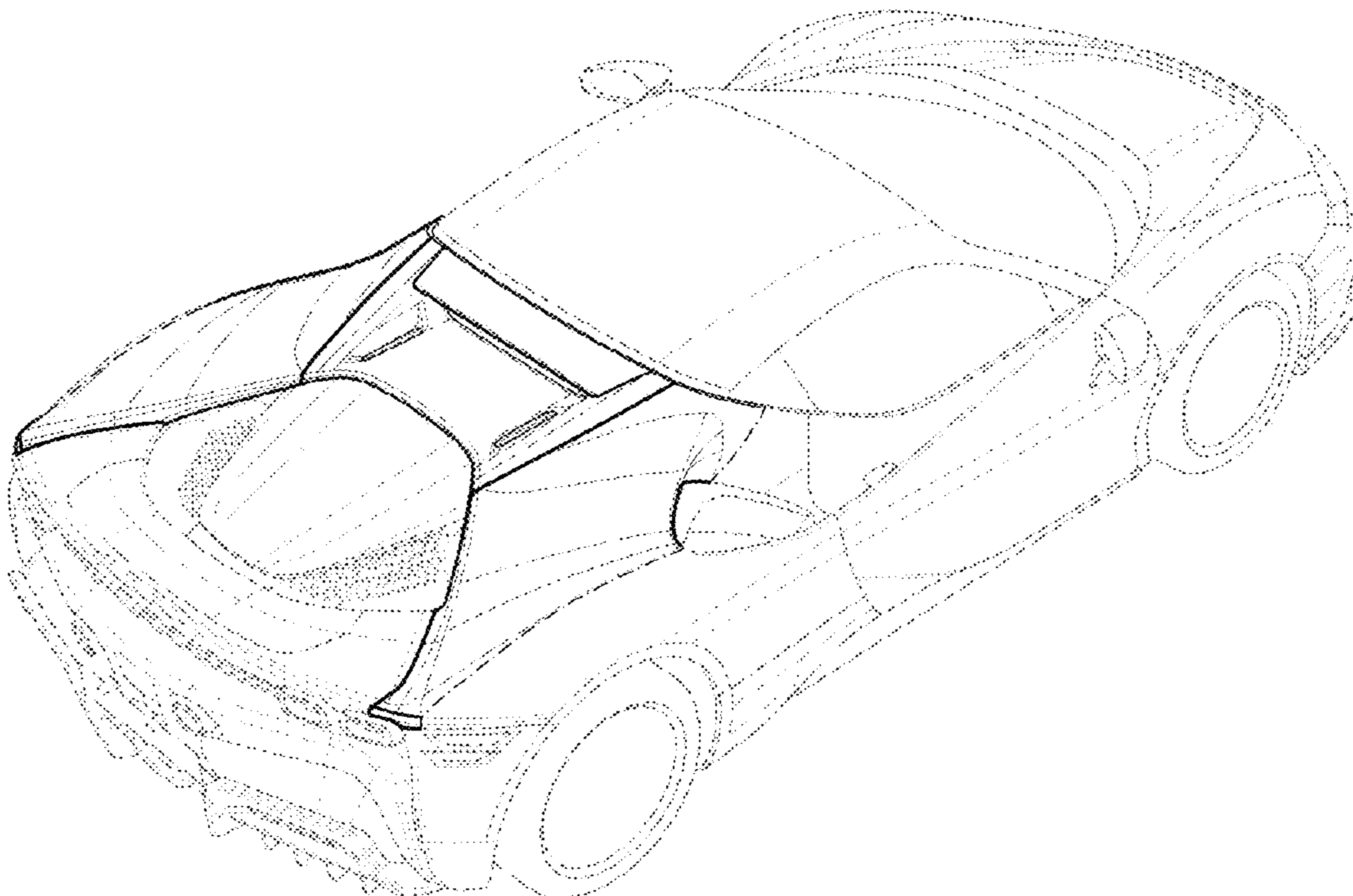
The ornamental design for a rear hatch of a vehicle or toy vehicle, as shown and described.

DESCRIPTION

FIG. 1 is a front perspective view of the rear hatch of a vehicle or toy vehicle showing my design;
FIG. 2 is a rear perspective view thereof;
FIG. 3 is a front view thereof
FIG. 4 is a rear view thereof;
FIG. 5 is a first side view thereof;
FIG. 6 is a second side view thereof, with the first and second side views being opposite to one another; and,
FIG. 7 is a top view thereof.

Evenly-spaced broken lines showing portions of the vehicle/toy vehicle are included for purpose of illustrating environment and form no part of the claimed design. Dot-dash pattern broken lines form a boundary of the claimed design. The line itself forms no part of the claimed design.

1 Claim, 7 Drawing Sheets



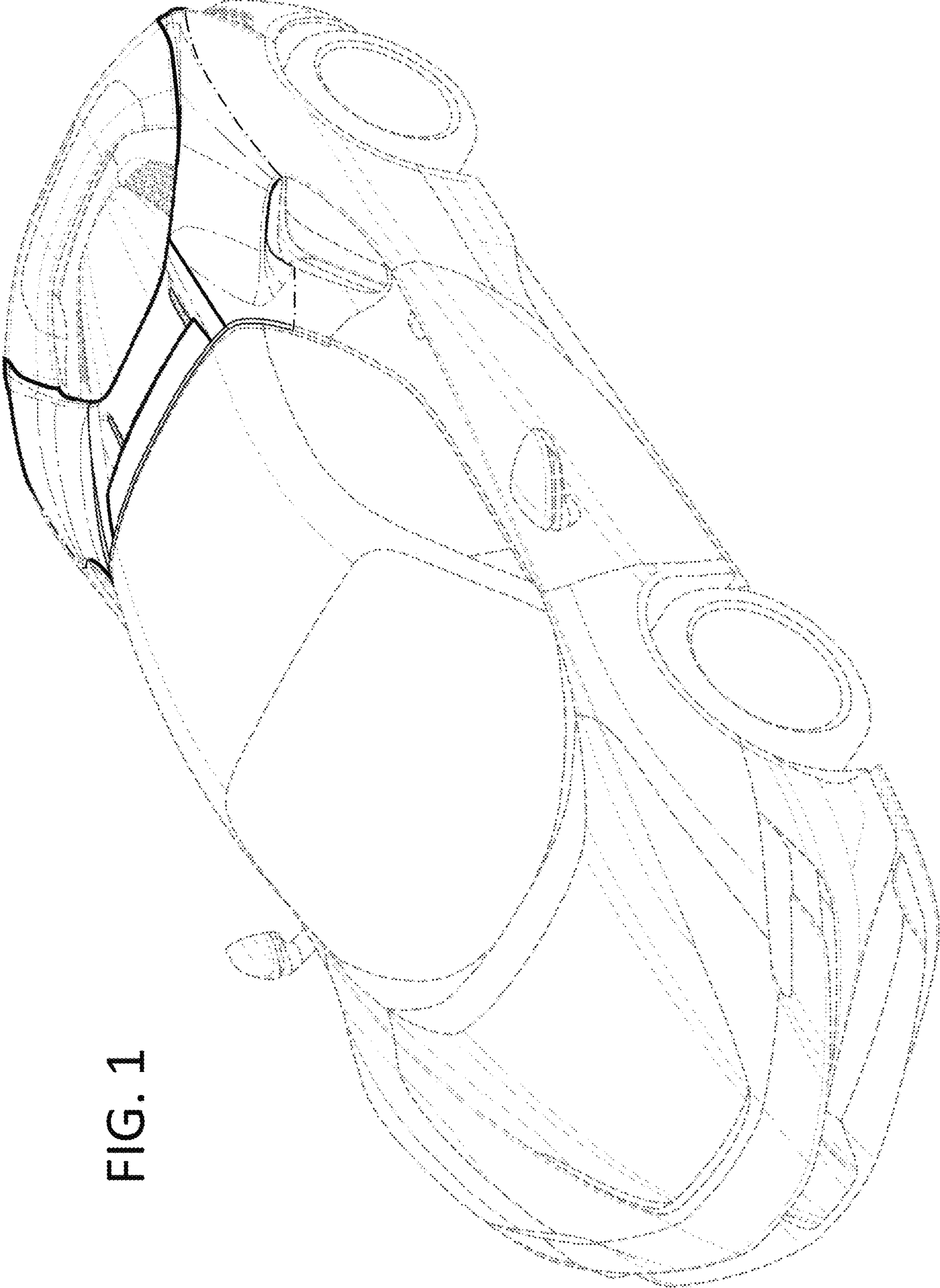


FIG. 1

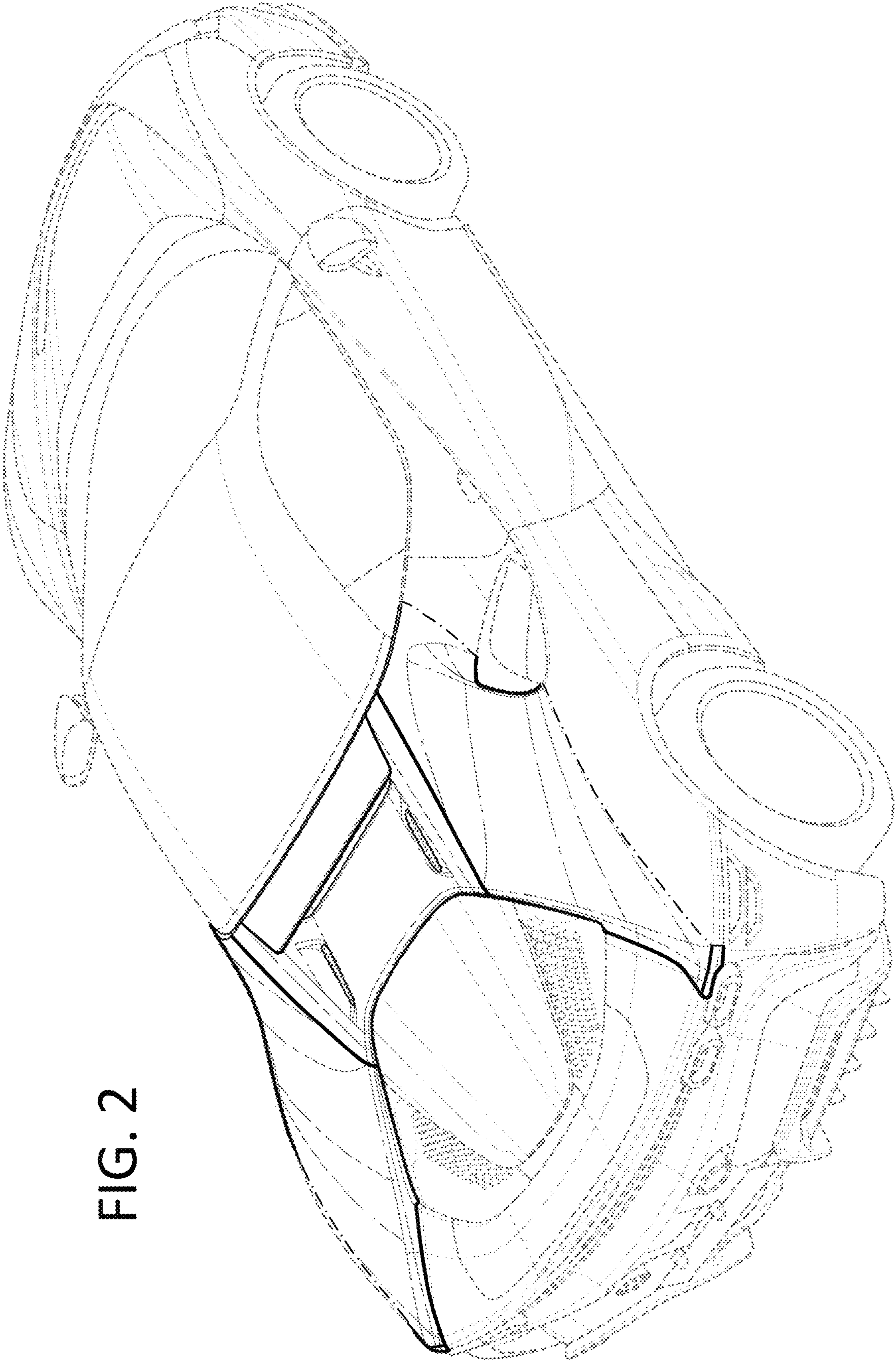


FIG. 2

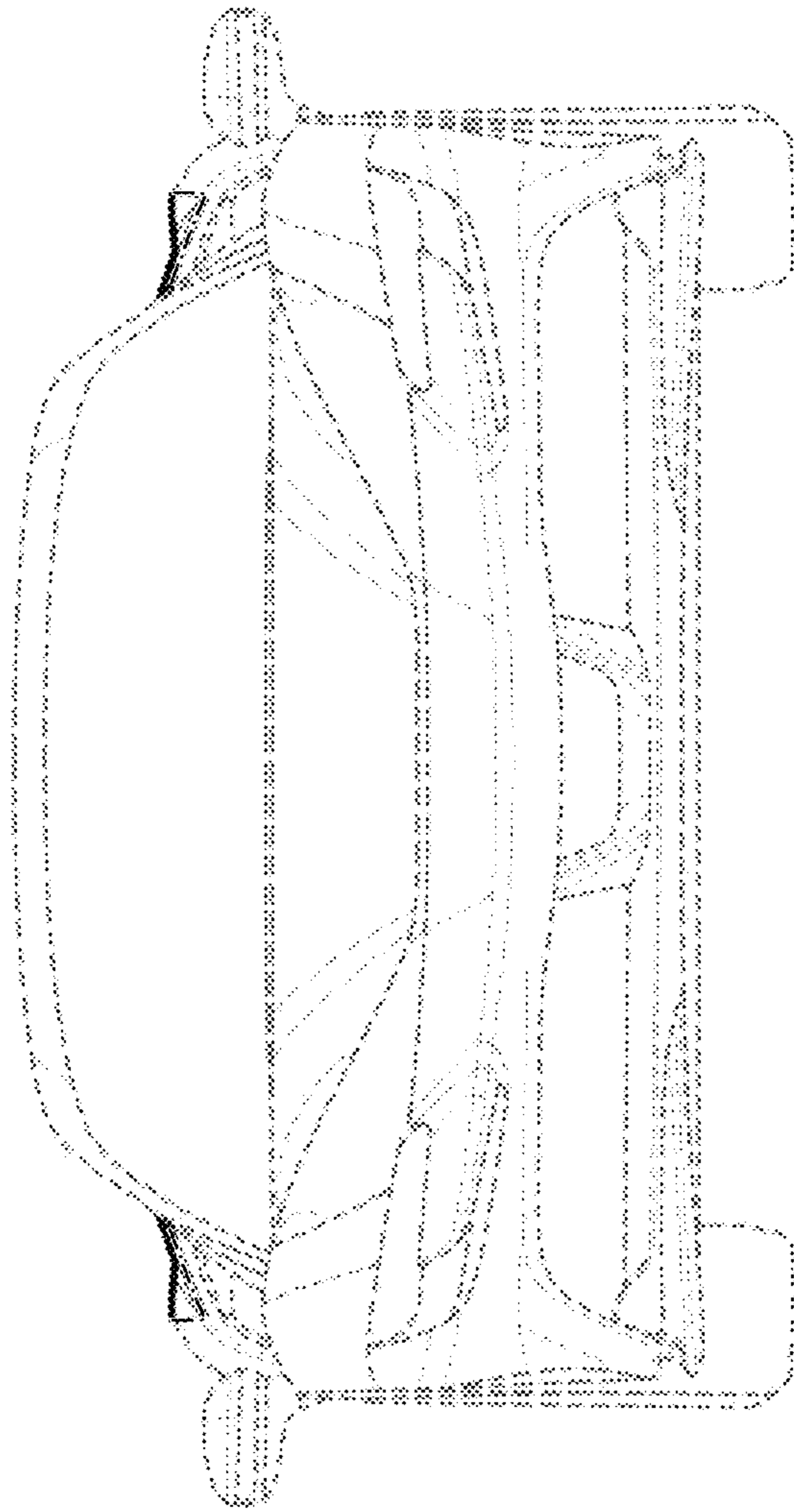


FIG. 3

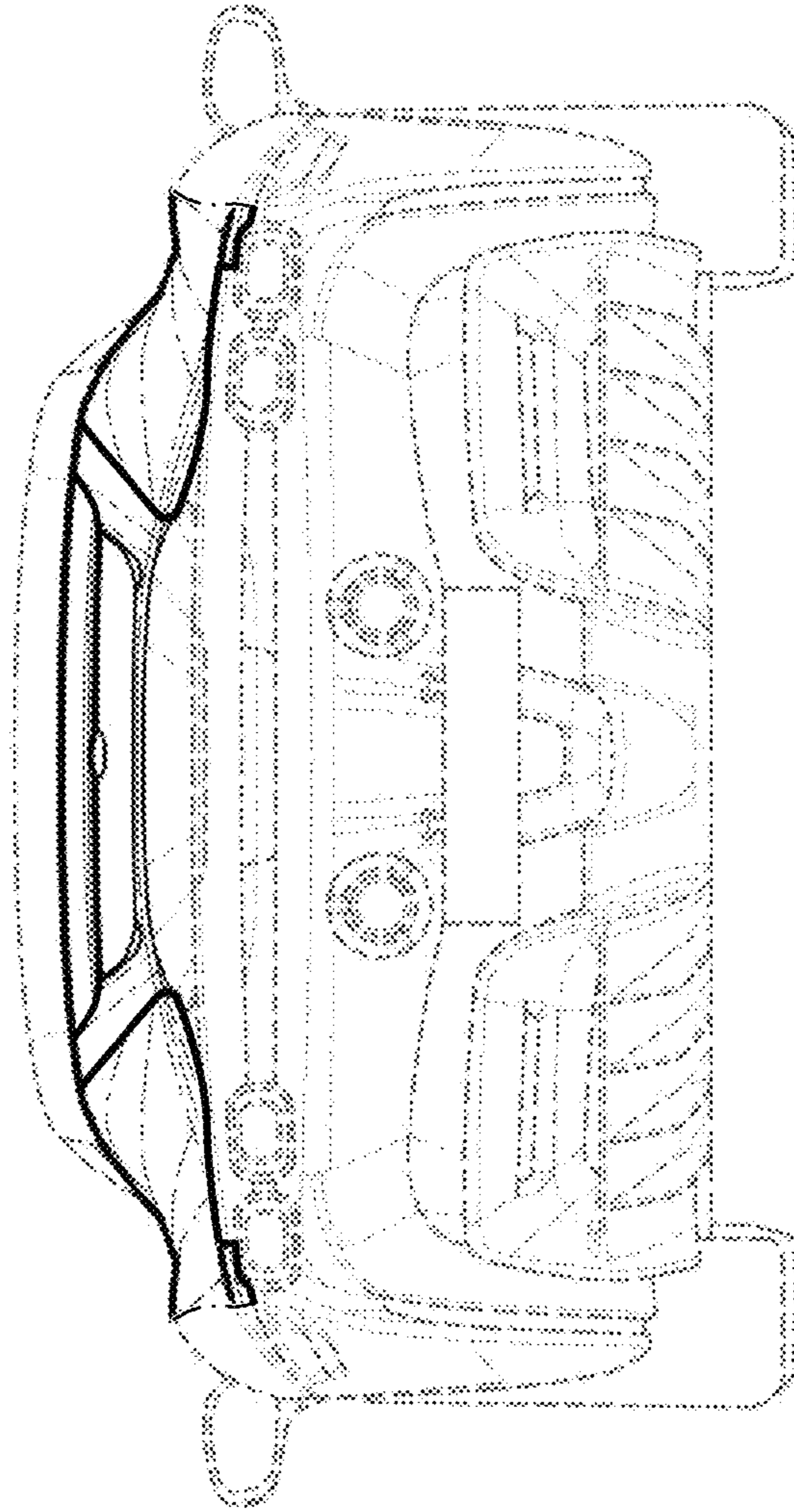


FIG. 4

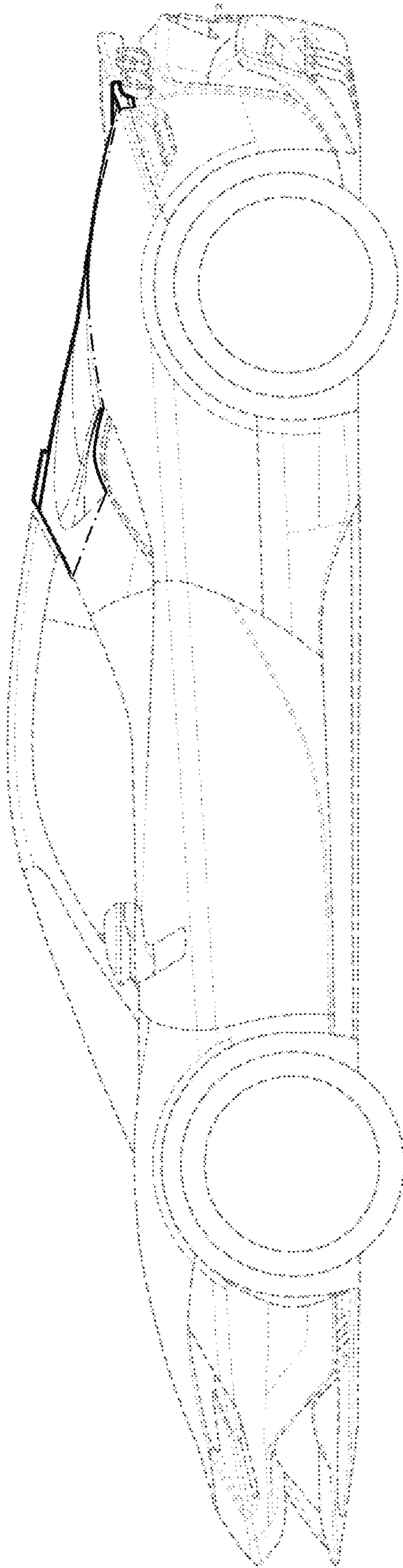


FIG. 5

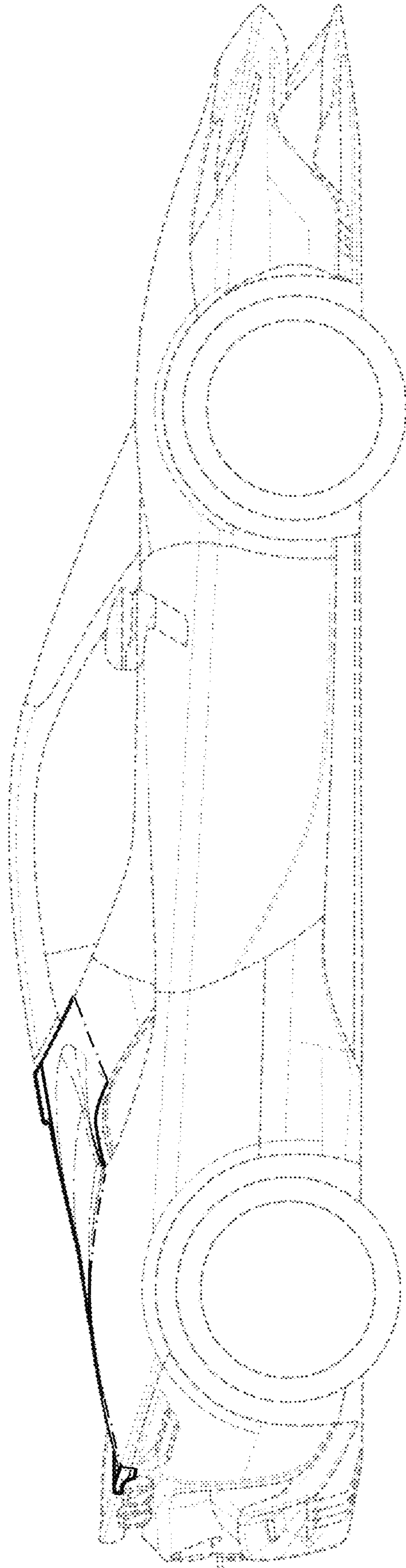


FIG. 6

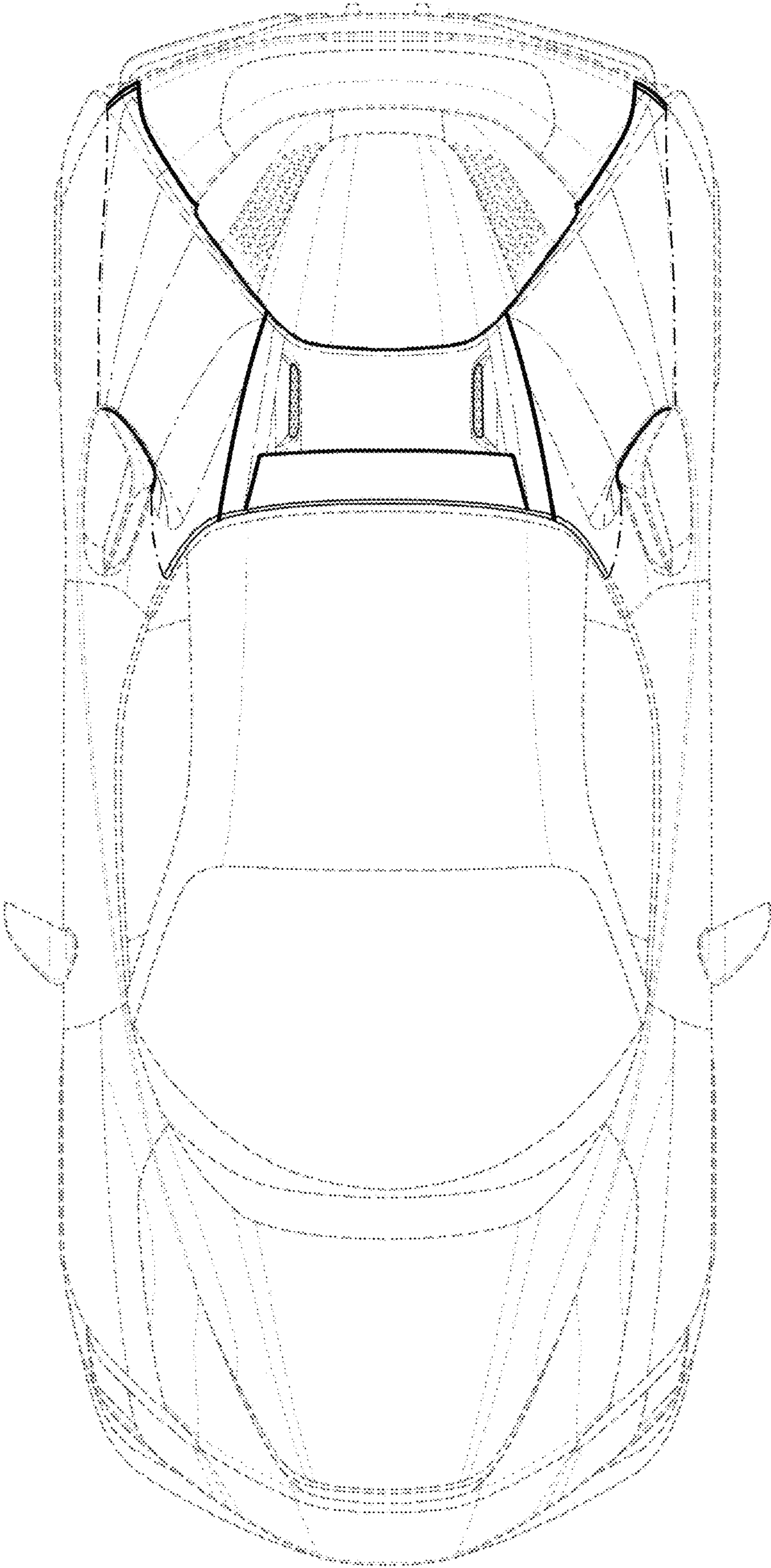


FIG. 7