



US00D927375S

(12) **United States Design Patent**  
**Nishimura**

(10) **Patent No.:** **US D927,375 S**

(45) **Date of Patent:** **\*\* Aug. 10, 2021**

(54) **STEERING WHEEL FOR AN AUTOMOBILE**

D881,089 S \* 4/2020 Sham ..... D12/176  
D881,090 S \* 4/2020 Braun ..... D12/176  
D906,198 S \* 12/2020 Tomasson ..... D12/176  
D910,510 S \* 2/2021 Sandys ..... D12/176

(71) Applicant: **Takashi Nishimura**, Chofu (JP)

(72) Inventor: **Takashi Nishimura**, Chofu (JP)

(73) Assignee: **Toyota Jidosha Kabushiki Kaisha**

(\*\*) Term: **15 Years**

(21) Appl. No.: **29/714,163**

(22) Filed: **Nov. 21, 2019**

(30) **Foreign Application Priority Data**

May 23, 2019 (JP) ..... 2019-011176

(51) **LOC (13) Cl.** ..... **12-16**

(52) **U.S. Cl.**  
USPC ..... **D12/176**

(58) **Field of Classification Search**  
USPC ..... D12/175, 176, 177; 74/552, 558, 558.5  
CPC ..... B60R 21/203; B60R 21/05; B62D 1/04  
See application file for complete search history.

(56) **References Cited**

**U.S. PATENT DOCUMENTS**

D709,006 S \* 7/2014 Busse ..... D12/176  
D741,759 S \* 10/2015 Persson ..... D12/176  
D772,124 S \* 11/2016 Lee ..... D12/176  
D786,153 S \* 5/2017 Callum ..... D12/176  
D787,390 S \* 5/2017 Kanda ..... D12/176  
D797,621 S \* 9/2017 Ogawa ..... D12/176  
D798,205 S \* 9/2017 Kim ..... D12/176  
D798,206 S \* 9/2017 Sjogren ..... D12/176  
D848,913 S \* 5/2019 Sjogren ..... D12/176  
D880,383 S \* 4/2020 Kim ..... D12/176

**OTHER PUBLICATIONS**

netcarshow.com, Toyota C-HR (2017), <https://www.netcarshow.com/toyota/2017-c-hr/>, available as early as Mar. 11, 2019.  
netcarshow.com, Suzuki Swift (2018), <https://www.netcarshow.com/suzuki/2018-swift/>, available as early as Mar. 11, 2019.  
netcarshow.com, Kia Stinger (2018), <https://www.netcarshow.com/kia/2018-stinger/>, available as early as Mar. 11, 2019.

\* cited by examiner

*Primary Examiner* — Melody N Brown

(74) *Attorney, Agent, or Firm* — Saidman DesignLaw Group, LLC

(57) **CLAIM**

The ornamental design for a steering wheel for an automobile, as shown and described.

**DESCRIPTION**

FIG. 1 is a perspective view of a steering wheel for an automobile showing my new design;  
FIG. 2 is a front view thereof;  
FIG. 3 is a rear view thereof;  
FIG. 4 is a right side view thereof;  
FIG. 5 is a left side view thereof;  
FIG. 6 is a top view thereof; and,  
FIG. 7 is a bottom view thereof.

**1 Claim, 7 Drawing Sheets**

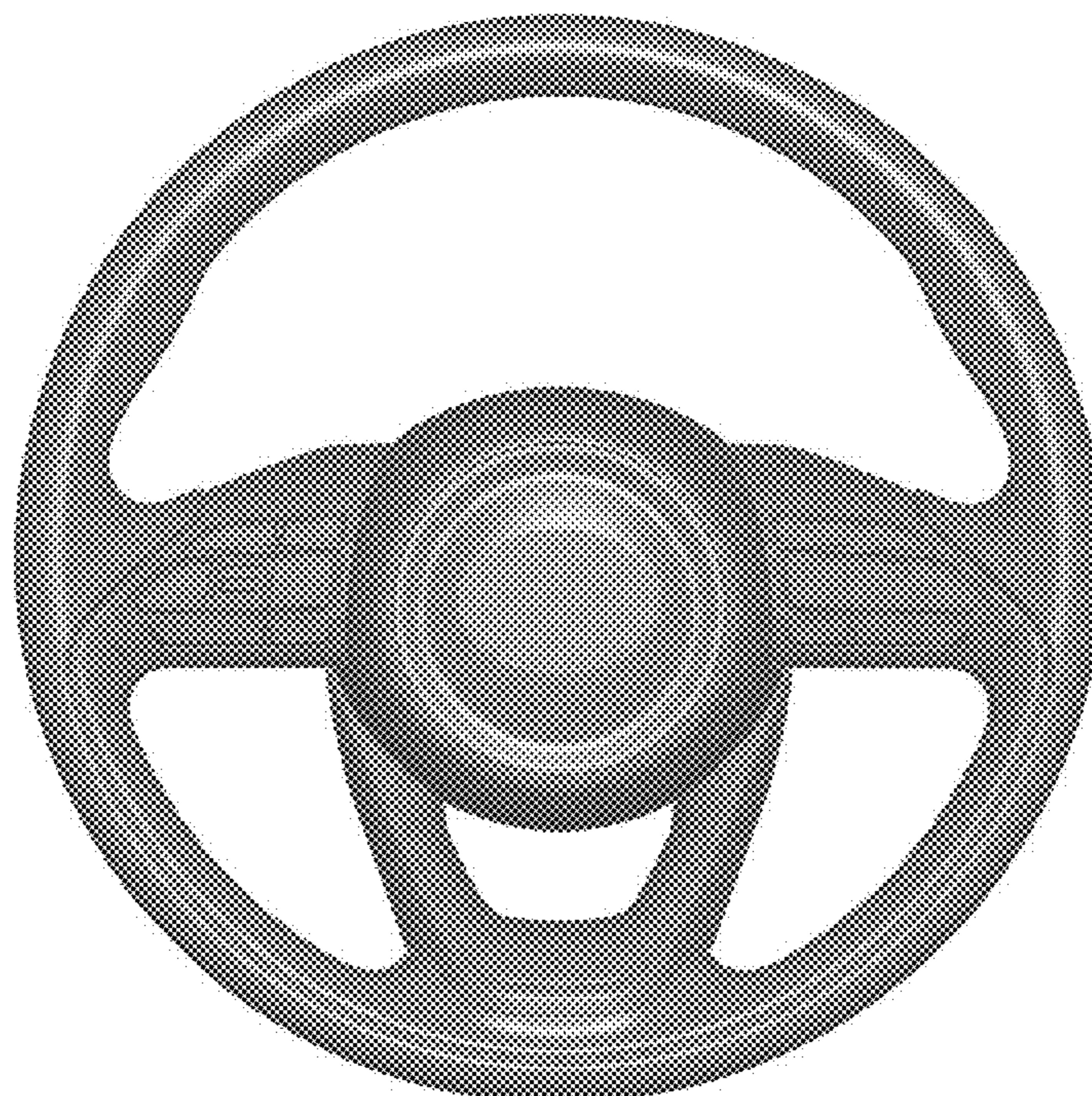






FIG. 1



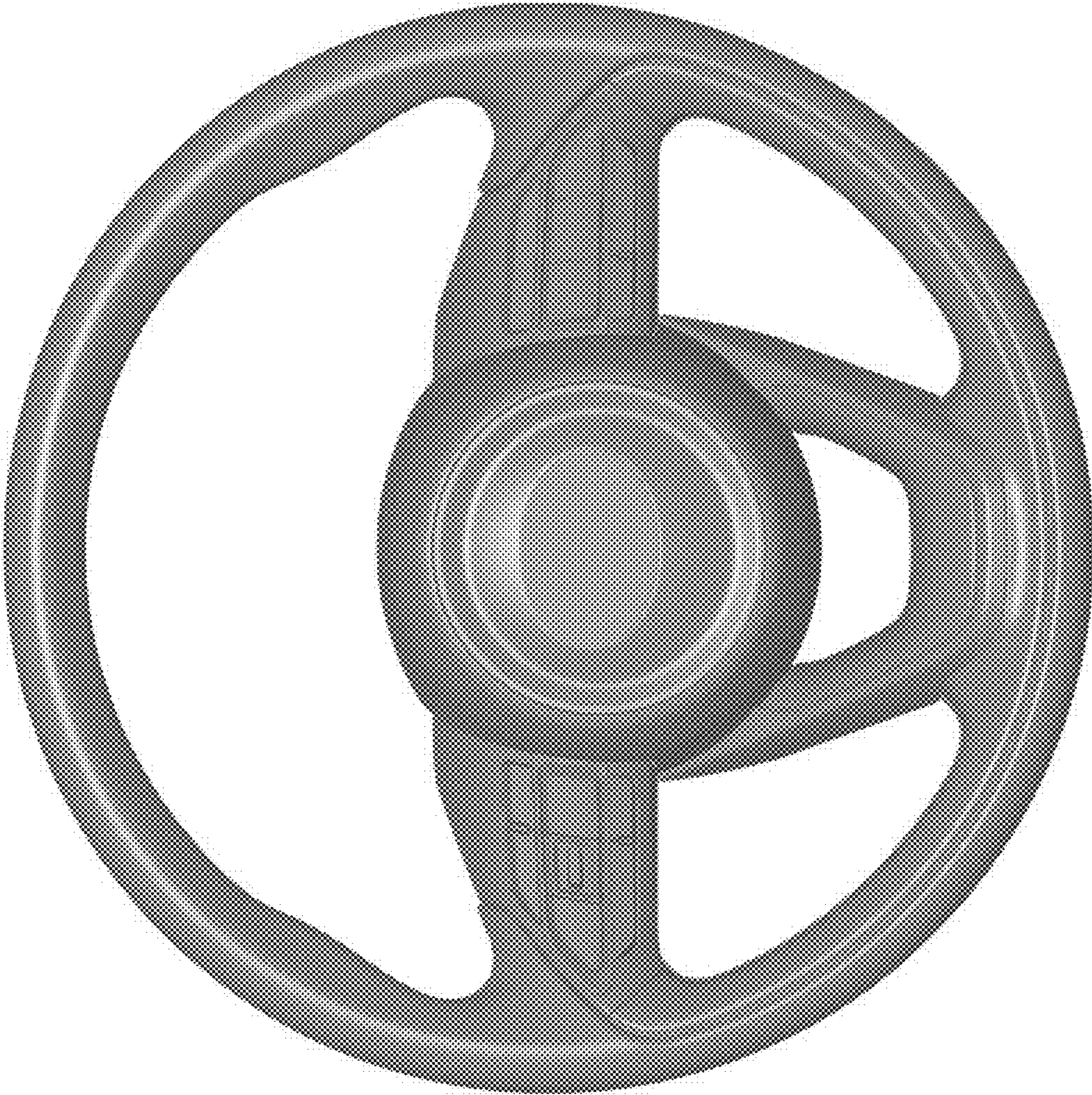


FIG. 2



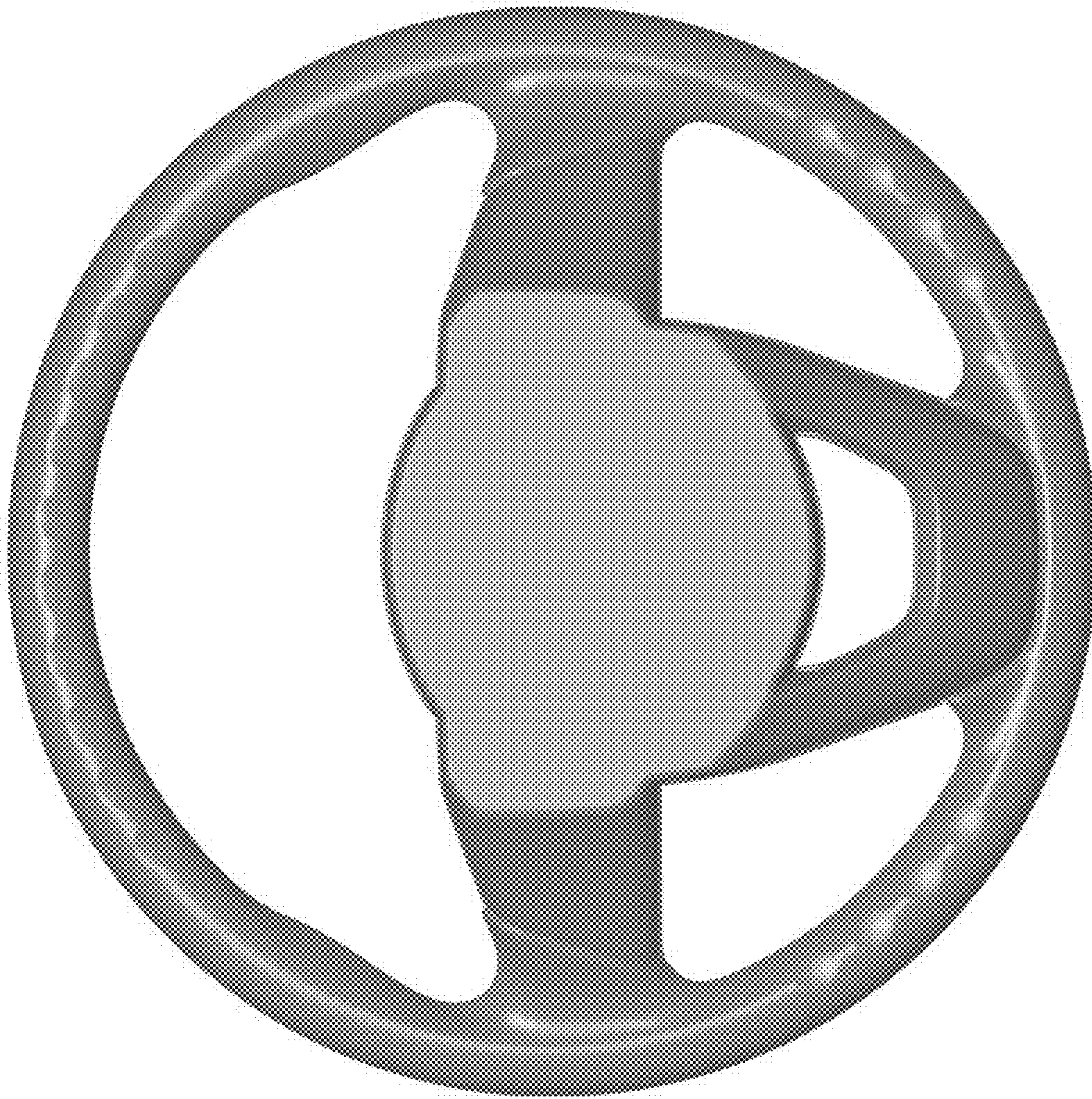


FIG. 3

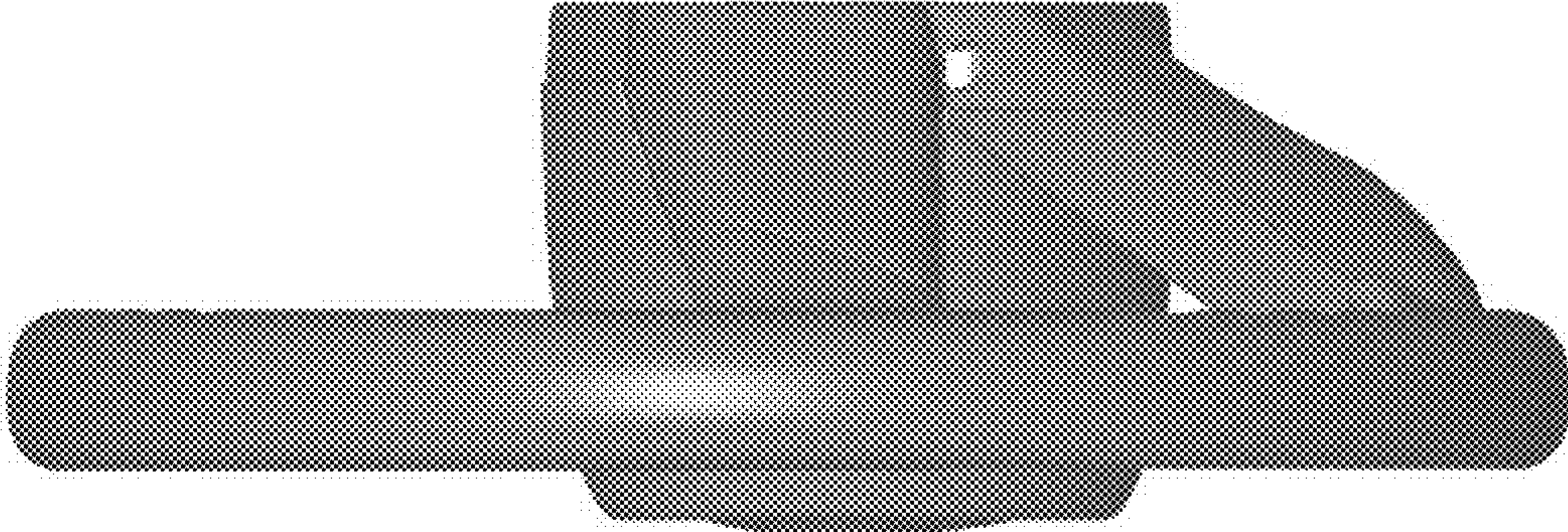


FIG. 4

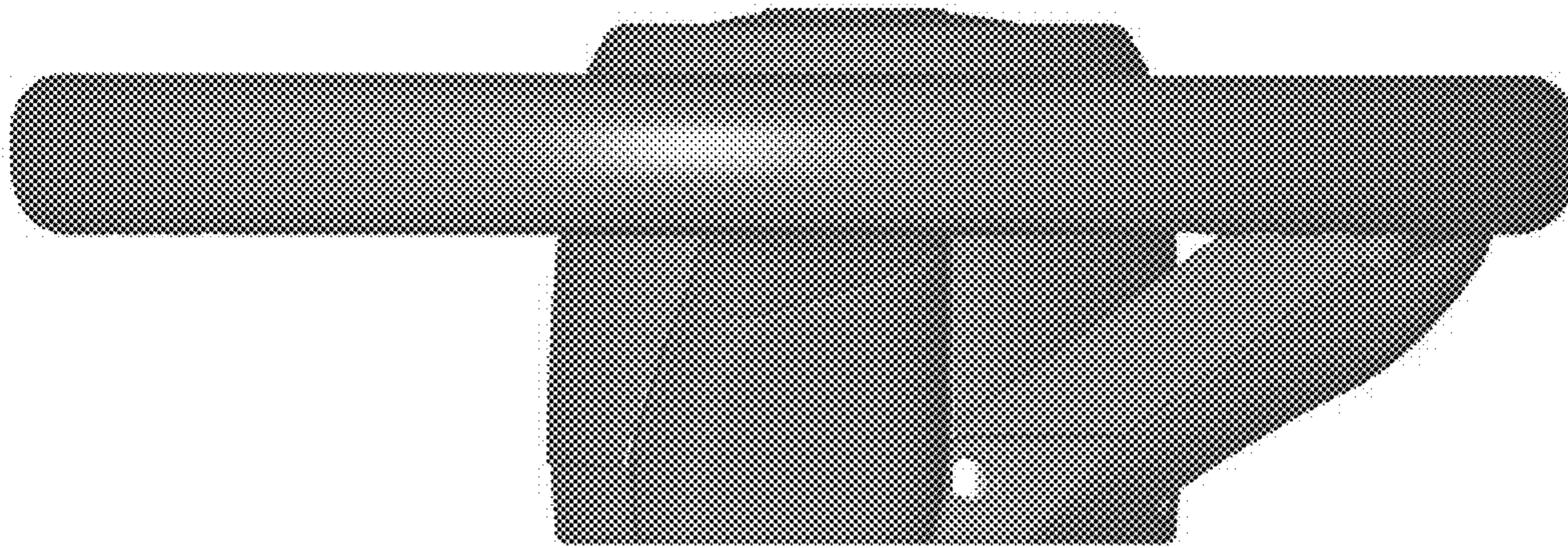


FIG. 5



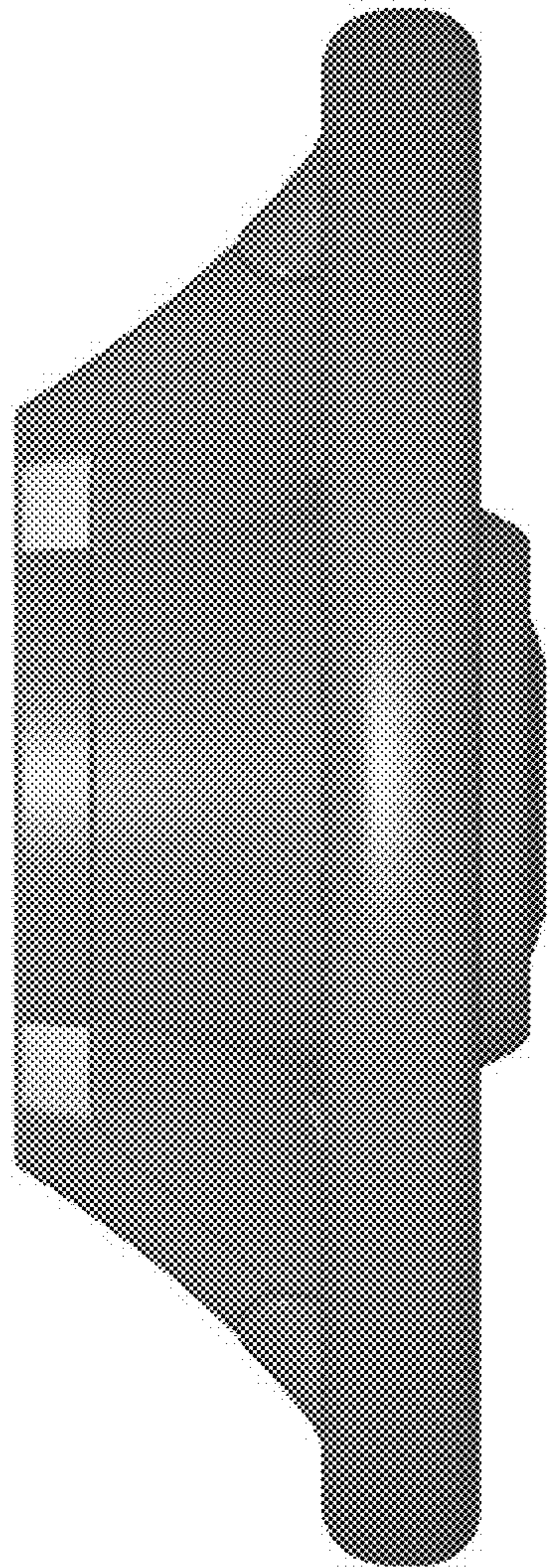


FIG. 6

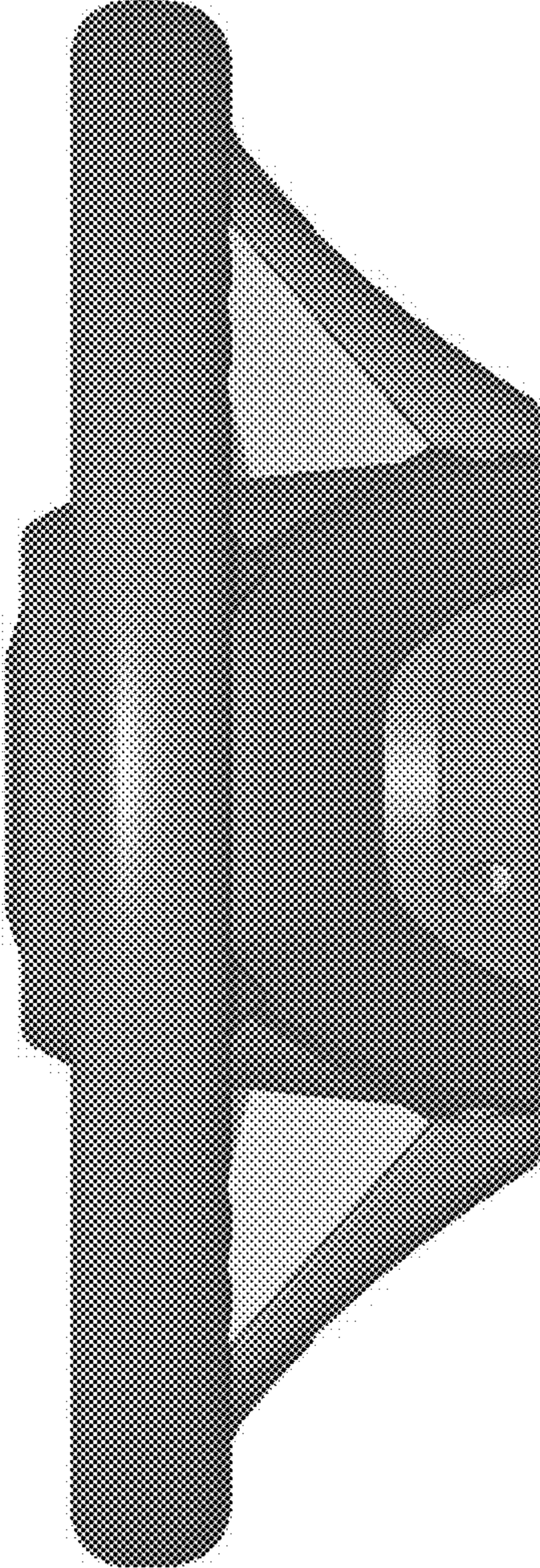


FIG. 7