



US00D927370S

(12) **United States Design Patent**
Nagasaka et al.

(10) **Patent No.:** **US D927,370 S**

(45) **Date of Patent:** **** Aug. 10, 2021**

(54) **REAR BUMPER FOR AN AUTOMOBILE**

(71) Applicant: **TOYOTA JIDOSHA KABUSHIKI KAISHA**, Toyota (JP)

(72) Inventors: **Ken Nagasaka**, Brussels (BE); **Hiroki Kato**, Toyota (JP)

(73) Assignee: **TOYOTA JIDOSHA KABUSHIKI KAISHA**

(**) Term: **15 Years**

(21) Appl. No.: **29/718,563**

(22) Filed: **Dec. 26, 2019**

(30) **Foreign Application Priority Data**

Jun. 28, 2019 (JP) 2019-014647

(51) **LOC (13) Cl.** **12-16**

(52) **U.S. Cl.**
USPC **D12/169**

(58) **Field of Classification Search**
USPC D12/163, 196, 86, 90-92, 169, 190, 98,
D12/164; 293/102, 113, 115, 117, 120,
293/193.11; 296/180.1, 180.2; 180/68.1,
180/68.6

CPC B60R 19/02; B60R 19/04; B62D 25/08
See application file for complete search history.

(56) **References Cited**

U.S. PATENT DOCUMENTS

D814,985 S * 4/2018 Peat D12/169
D820,739 S * 6/2018 Suga D12/169

D824,300 S * 7/2018 Badstuebner D12/169
D841,535 S * 2/2019 Buckingham D12/169
D841,536 S * 2/2019 Ojea D12/169
D843,277 S * 3/2019 Ojea D12/169
D904,250 S * 12/2020 Wheel D12/169
D913,873 S * 3/2021 Murakami D12/169
D913,875 S * 3/2021 Bischoff D12/169
D913,876 S * 3/2021 Bischoff D12/169

OTHER PUBLICATIONS

netcarshow.com, Toyota Mirai (2016), <<https://www.netcarshow.com/toyota/2016-mirai/>>, available as early as Nov. 30, 2014.
netcarshow.com, Audi A7 Sportback (2018), <https://www.netcarshow.com/audi/2018-a7_sportback/>, available as early as Sep. 30, 2018.

* cited by examiner

Primary Examiner — Melody N Brown

(74) *Attorney, Agent, or Firm* — Saidman DesignLaw Group, LLC

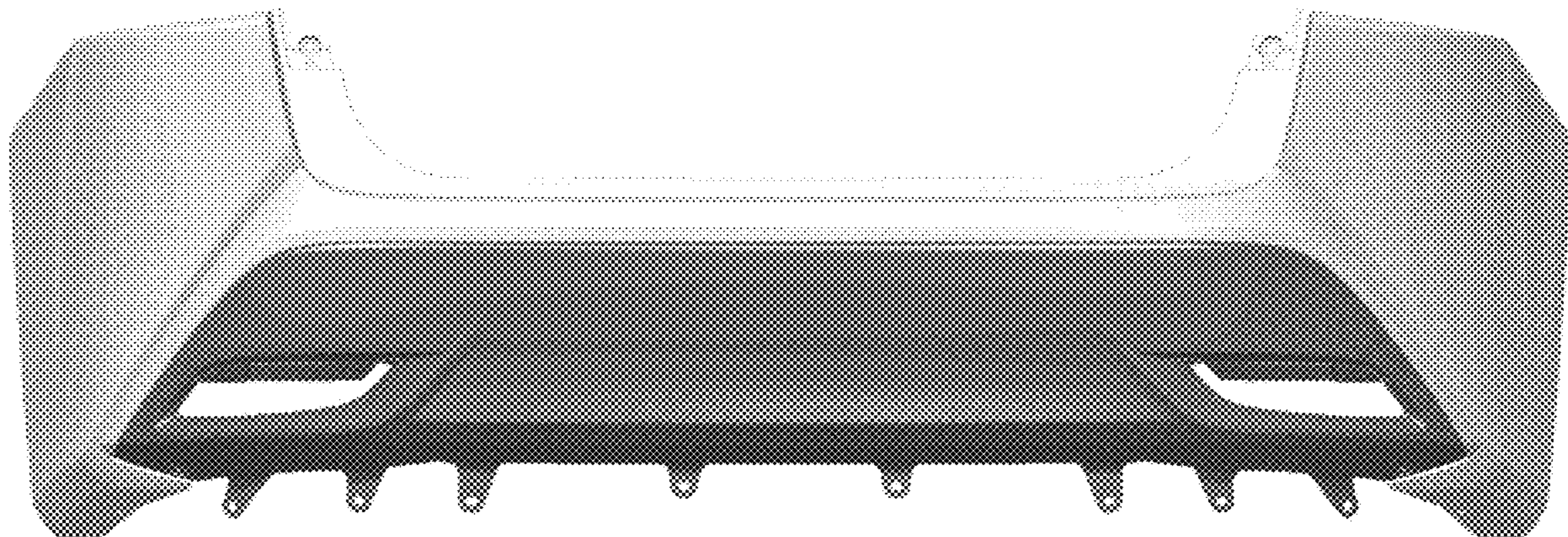
(57) **CLAIM**

The ornamental design for a rear bumper for an automobile, as shown and described.

DESCRIPTION

FIG. 1 is a perspective view of a rear bumper for an automobile showing our new design;
FIG. 2 is a front view thereof;
FIG. 3 is a rear view thereof;
FIG. 4 is a left side view thereof;
FIG. 5 is a right side view thereof;
FIG. 6 is a top view thereof; and,
FIG. 7 is a bottom view thereof.

1 Claim, 7 Drawing Sheets



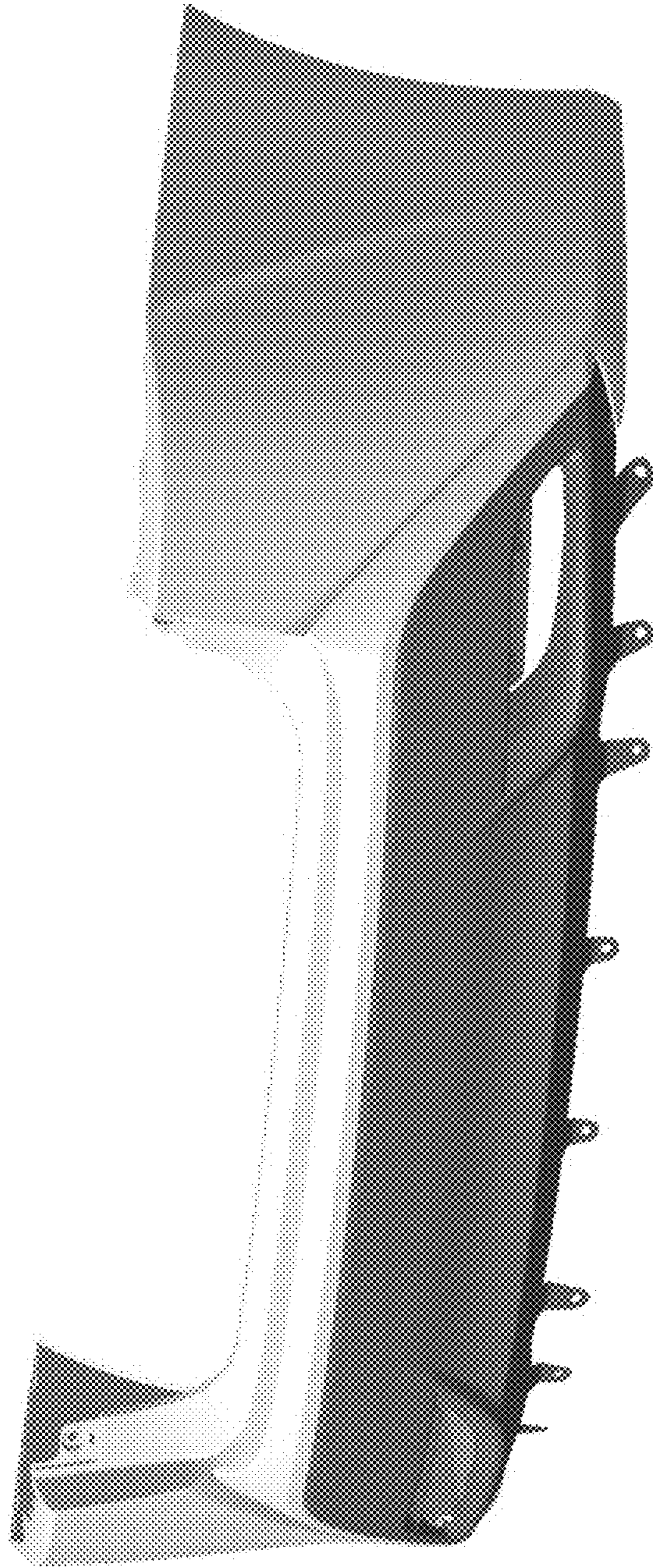


FIG. 1

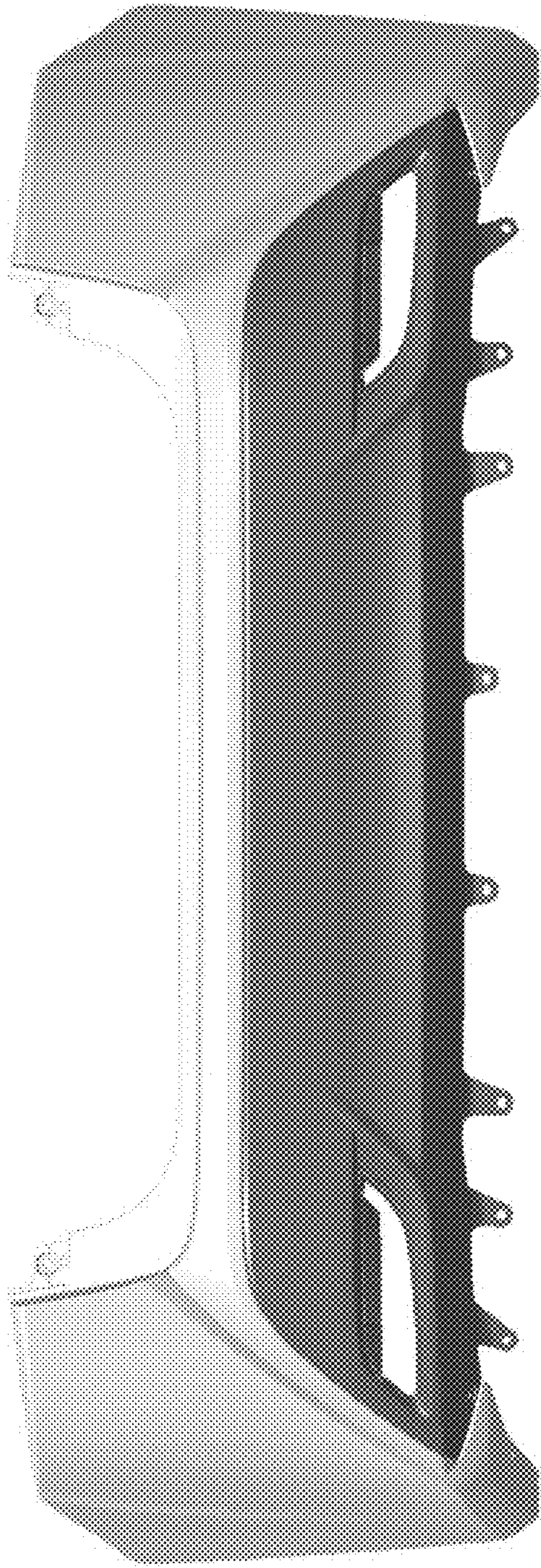


FIG. 2

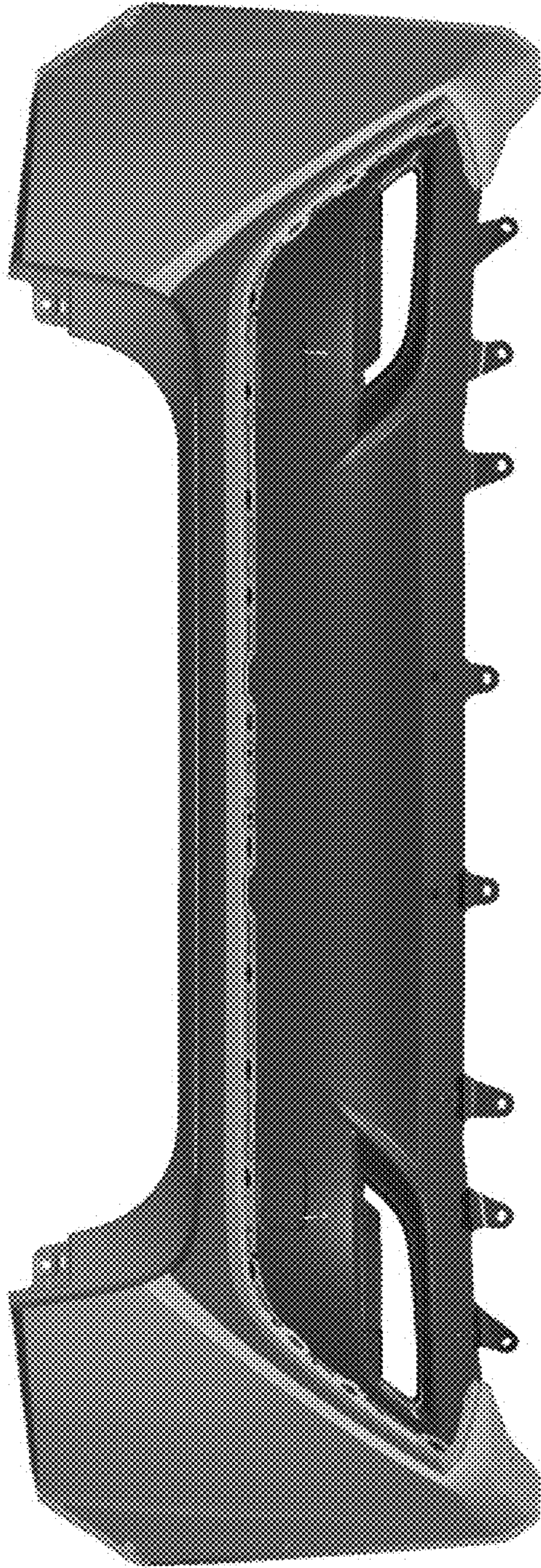


FIG. 3

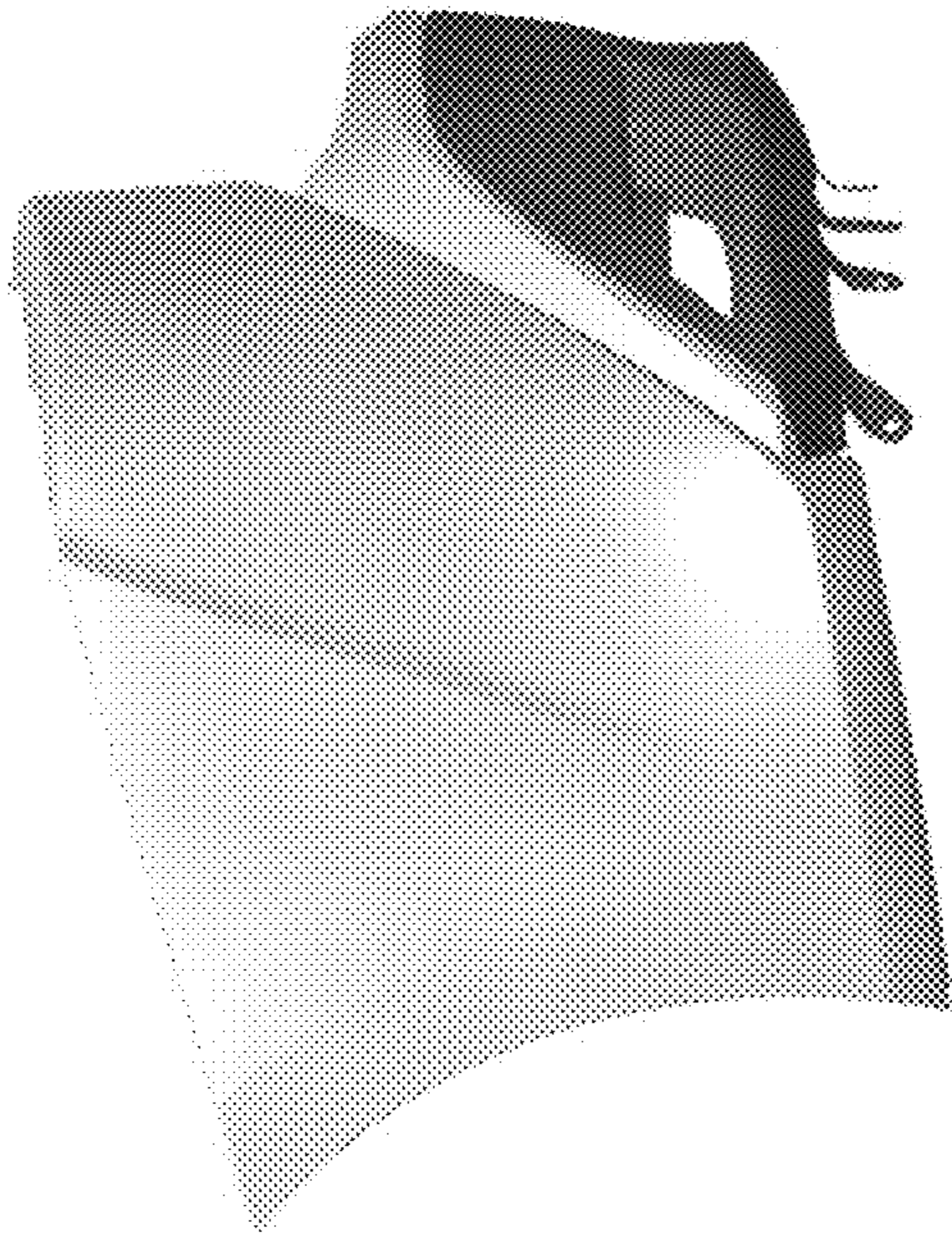


FIG. 4

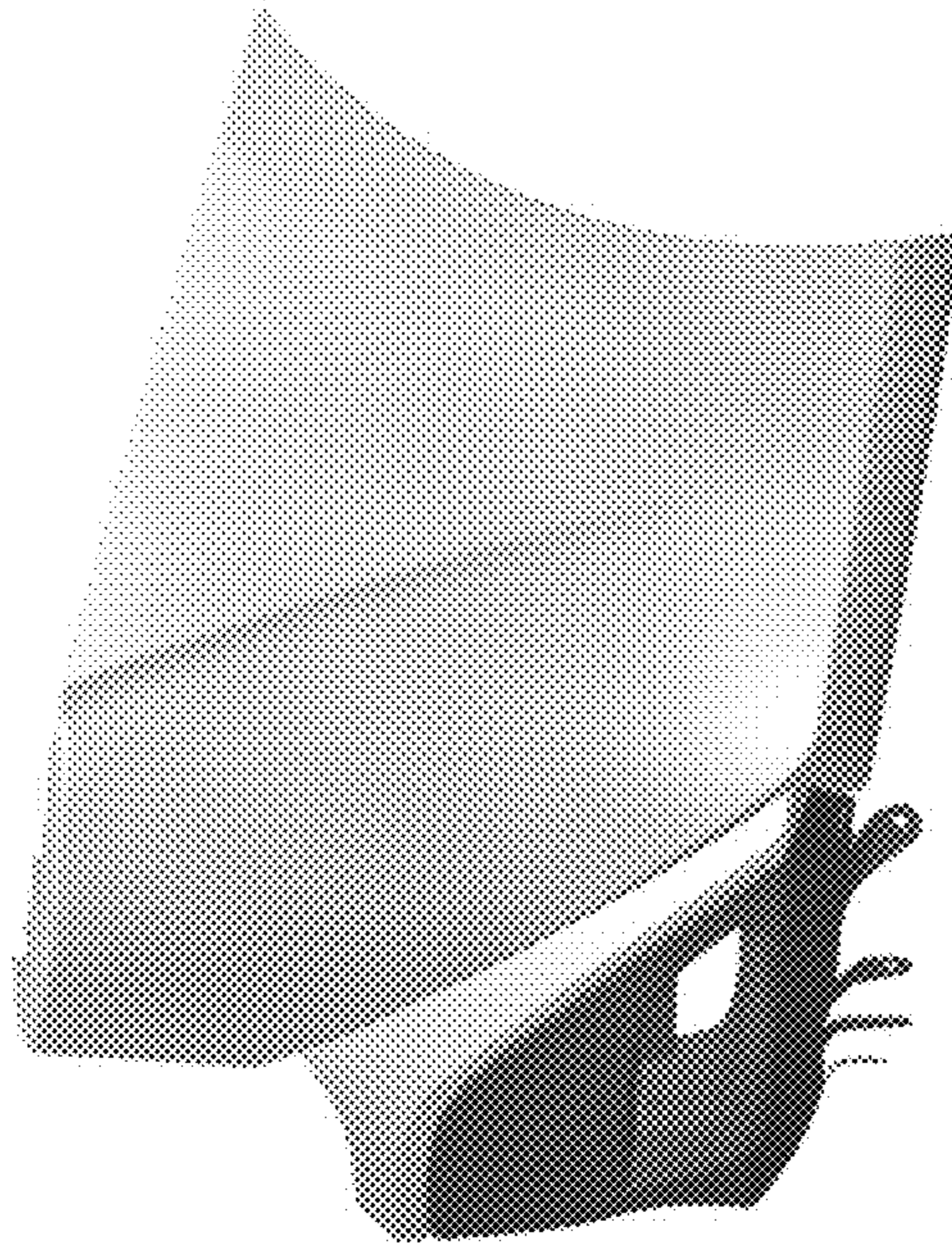


FIG. 5

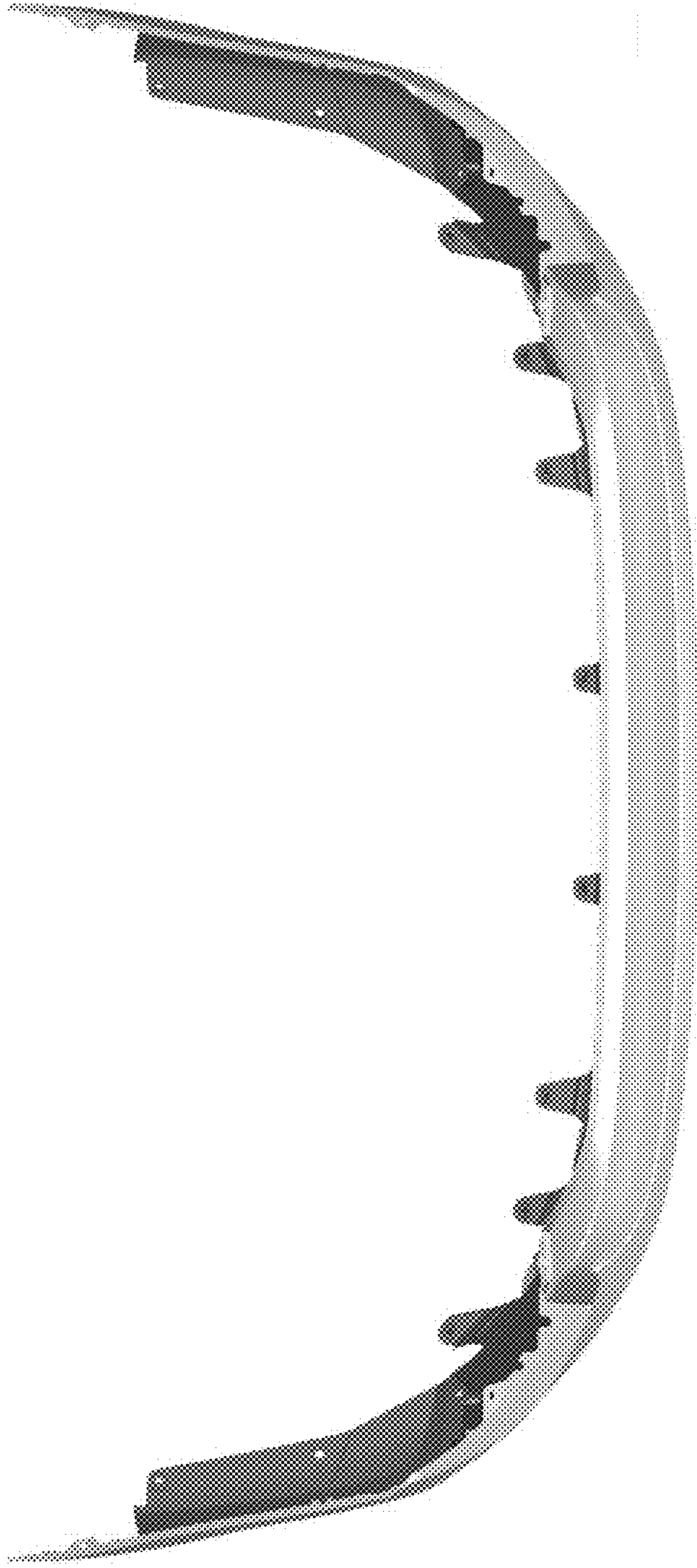


FIG. 6

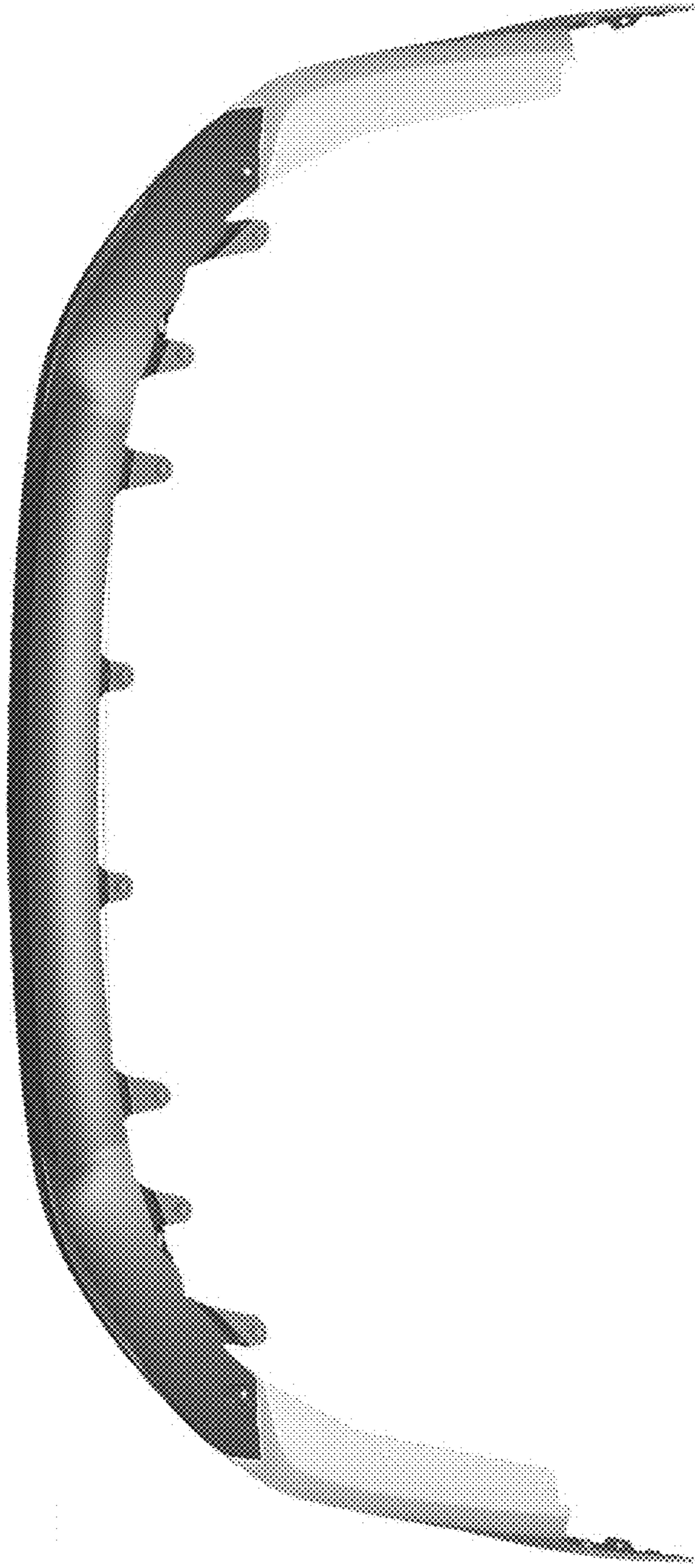


FIG. 7