



US00D927368S

(12) **United States Design Patent** (10) **Patent No.:** **US D927,368 S**  
**Wietrzychowski** (45) **Date of Patent:** **\*\* Aug. 10, 2021**

(54) **REAR BUMPER FOR A VEHICLE**  
(71) Applicant: **Bayerische Motoren Werke Aktiengesellschaft, Munich (DE)**  
(72) Inventor: **Marco Wietrzychowski, Munich (DE)**  
(73) Assignee: **Bayerische Motoren Werke Aktiengesellschaft, Munich (DE)**  
(\*\*) Term: **15 Years**  
(21) Appl. No.: **29/703,002**  
(22) Filed: **Aug. 23, 2019**  
(30) **Foreign Application Priority Data**

Mar. 1, 2019 (DE) ..... 402019100250.2  
(51) **LOC (13) Cl.** ..... **12-16**  
(52) **U.S. Cl.**  
USPC ..... **D12/169**  
(58) **Field of Classification Search**  
USPC ..... D12/163, 196, 86, 90-92, 169, 190, 98,  
D12/164; 293/102, 113, 115, 117, 120,  
293/193.11; 296/180.1, 180.2; 180/68.1,  
180/68.6  
CPC ..... B60R 19/02; B60R 19/04; B62D 25/08  
See application file for complete search history.

(56) **References Cited**  
U.S. PATENT DOCUMENTS

D856,223 S \* 8/2019 Thogersen ..... D12/169  
D856,224 S \* 8/2019 Nissl ..... D12/169

D856,870 S \* 8/2019 Nakajima ..... D12/169  
D866,418 S \* 11/2019 Peplowski ..... D12/169  
D871,279 S \* 12/2019 Tonello ..... D12/169  
D890,651 S \* 7/2020 Peplowski ..... D12/169

**FOREIGN PATENT DOCUMENTS**

WO DM/103824 11/2018

\* cited by examiner

*Primary Examiner* — Melody N Brown

(74) *Attorney, Agent, or Firm* — Crowell & Moring LLP

(57) **CLAIM**

The ornamental design for a rear bumper for a vehicle, as shown and described.

**DESCRIPTION**

This application contains subject matter related to the following co-pending U.S. design patent applications:

Application Ser. No. 29/694,276, filed Jun. 10, 2019 and entitled "Rear Bumper for a Vehicle," and

Application Ser. No. 29/702,997, filed Aug. 23, 2019 and entitled "Rear Bumper for a Vehicle."

FIG. 1 is a front view of a rear bumper for a vehicle according to the design;

FIG. 2 is a left, bottom perspective view thereof;

FIG. 3 is a right, front perspective view thereof;

FIG. 4 is a left side view thereof;

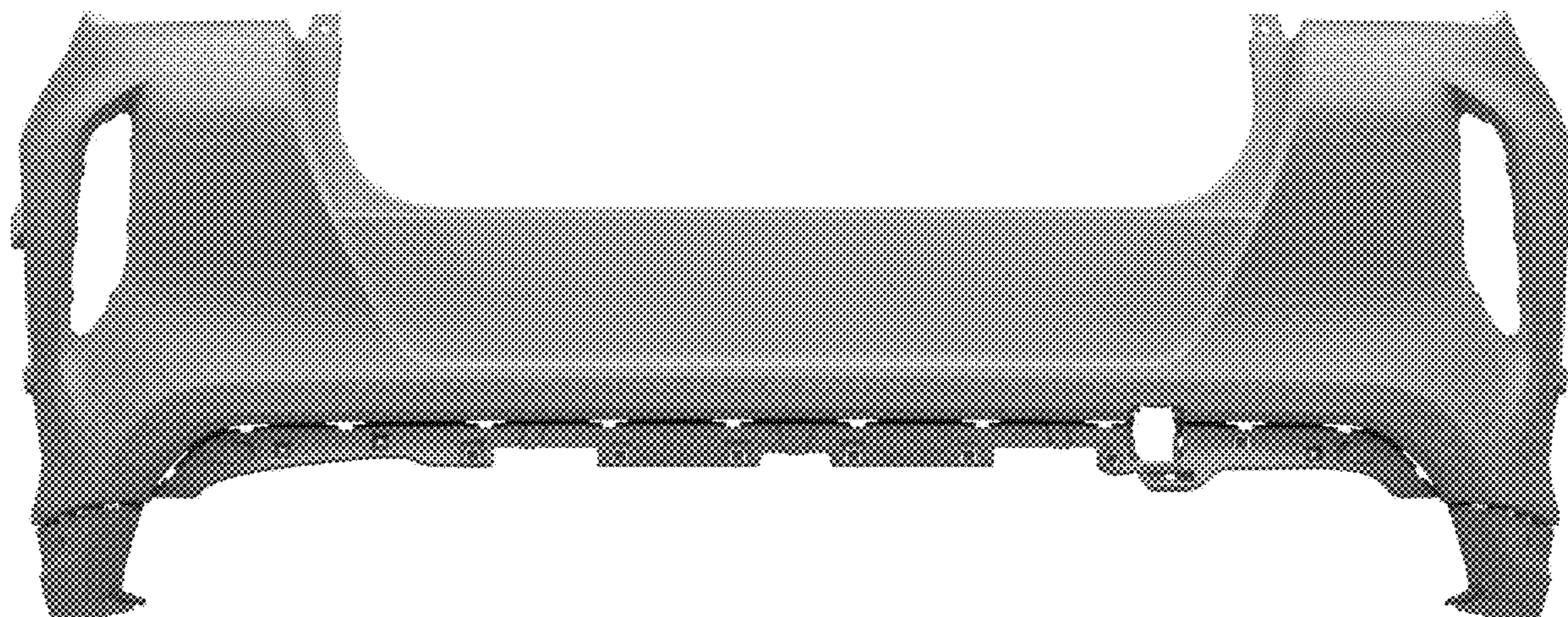
FIG. 5 is a right side view thereof;

FIG. 6 is a top view thereof;

FIG. 7 is a bottom view thereof; and,

FIG. 8 is a rear view thereof.

**1 Claim, 8 Drawing Sheets**





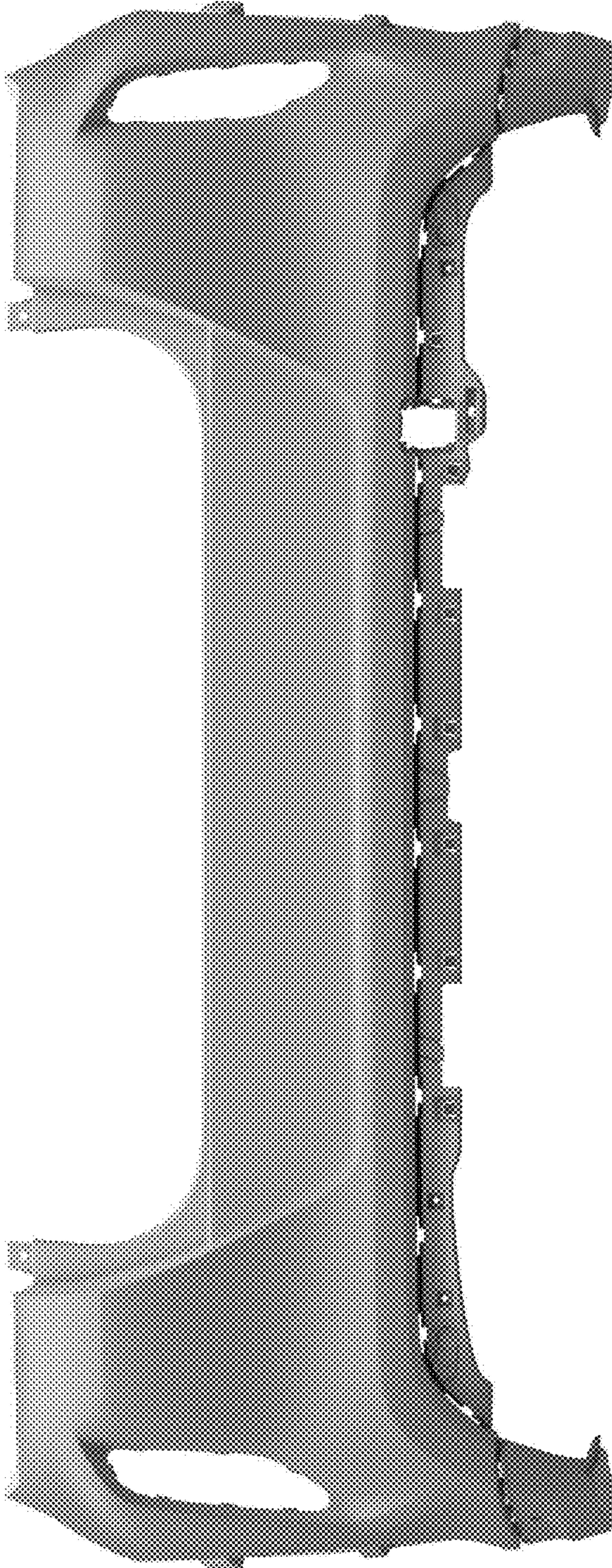


Fig. 1



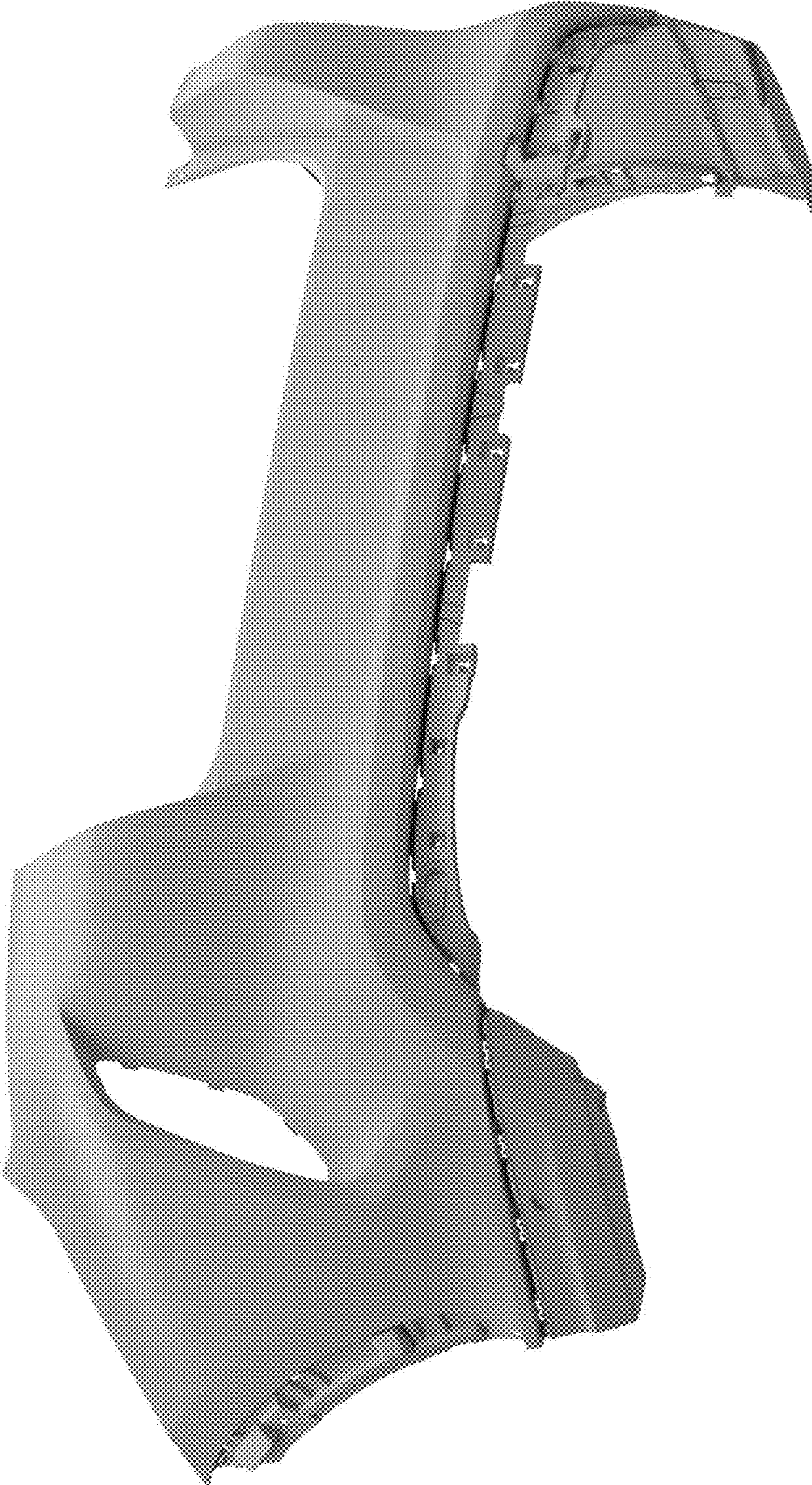


Fig. 2



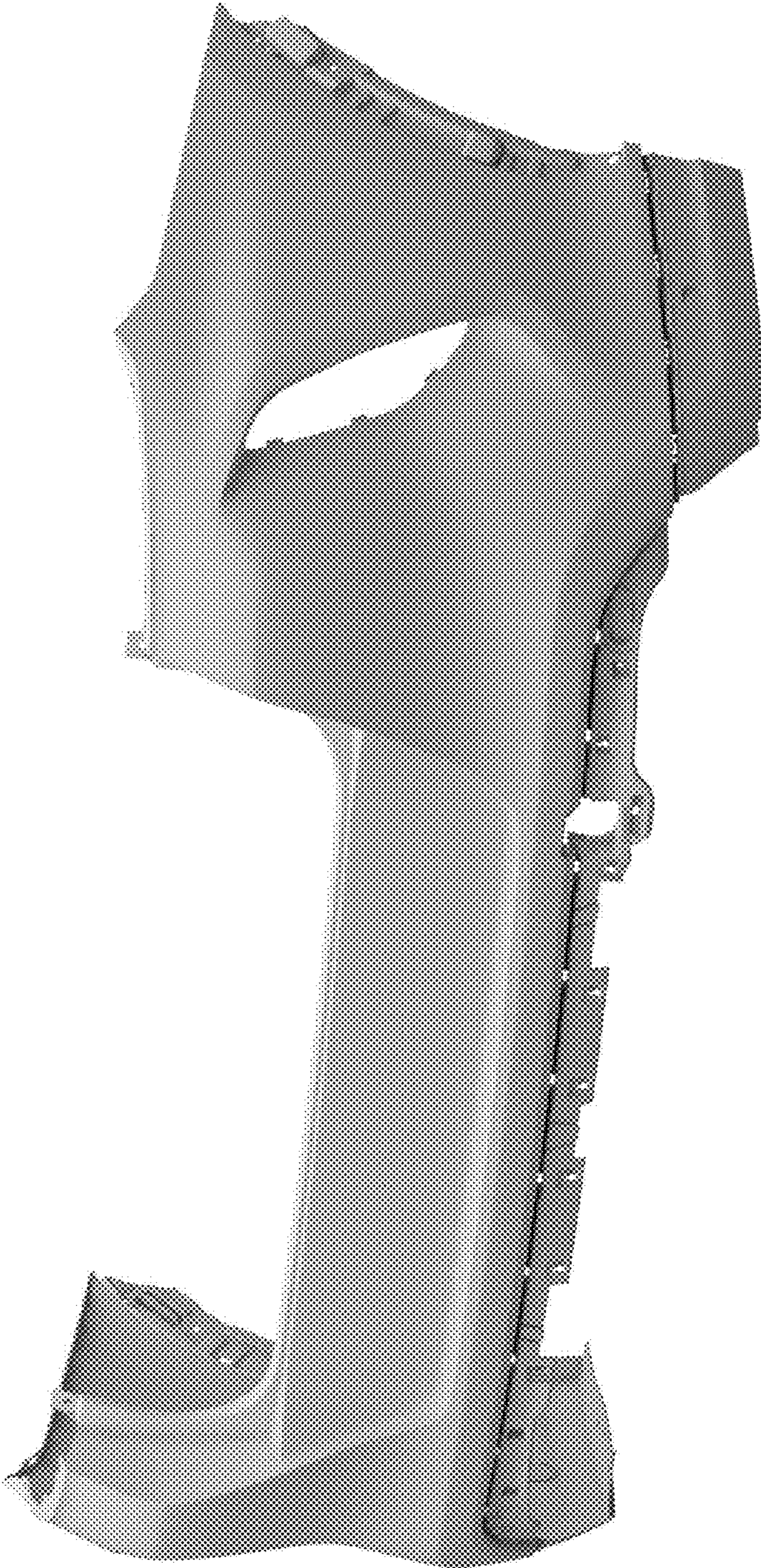


Fig. 3

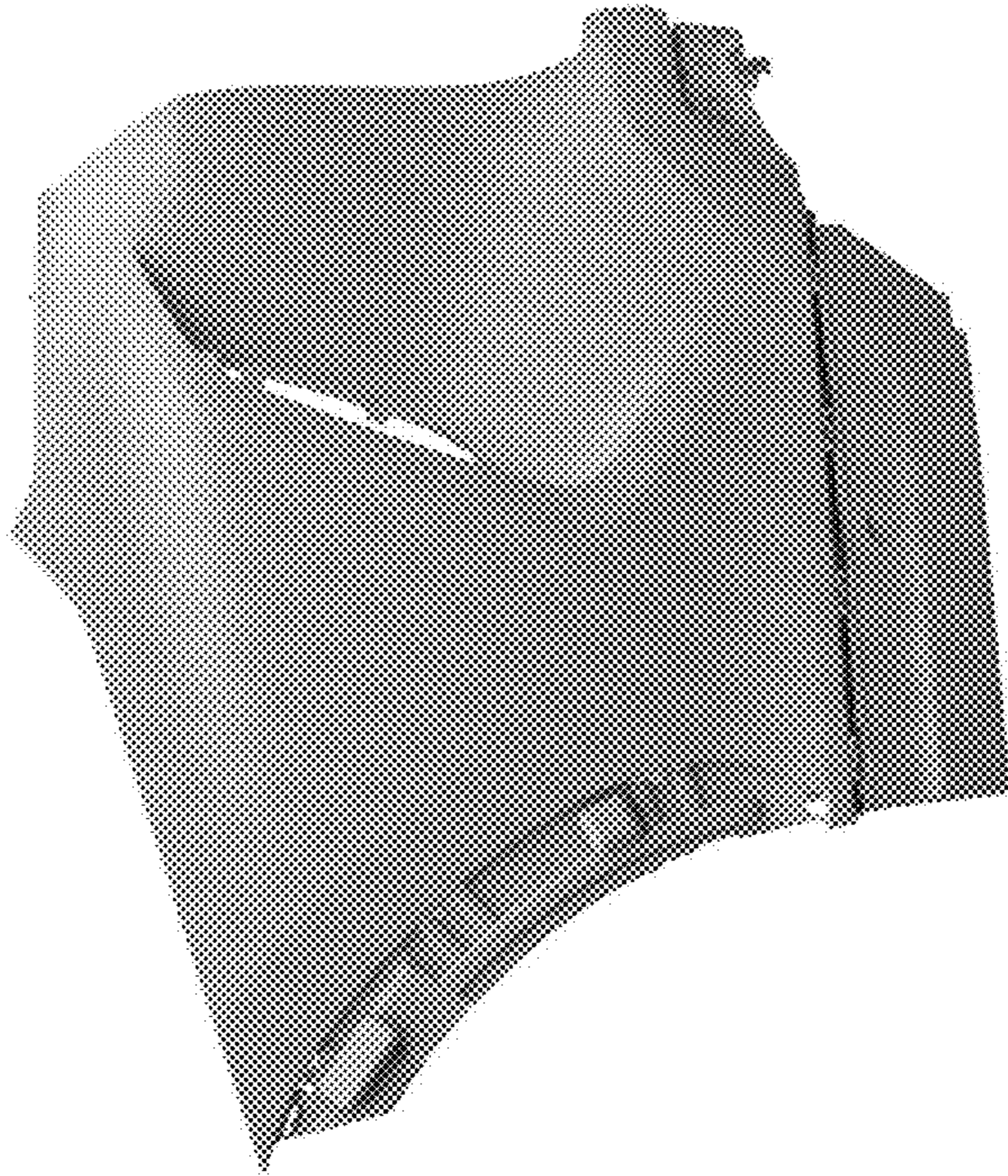


Fig. 4





Fig. 5

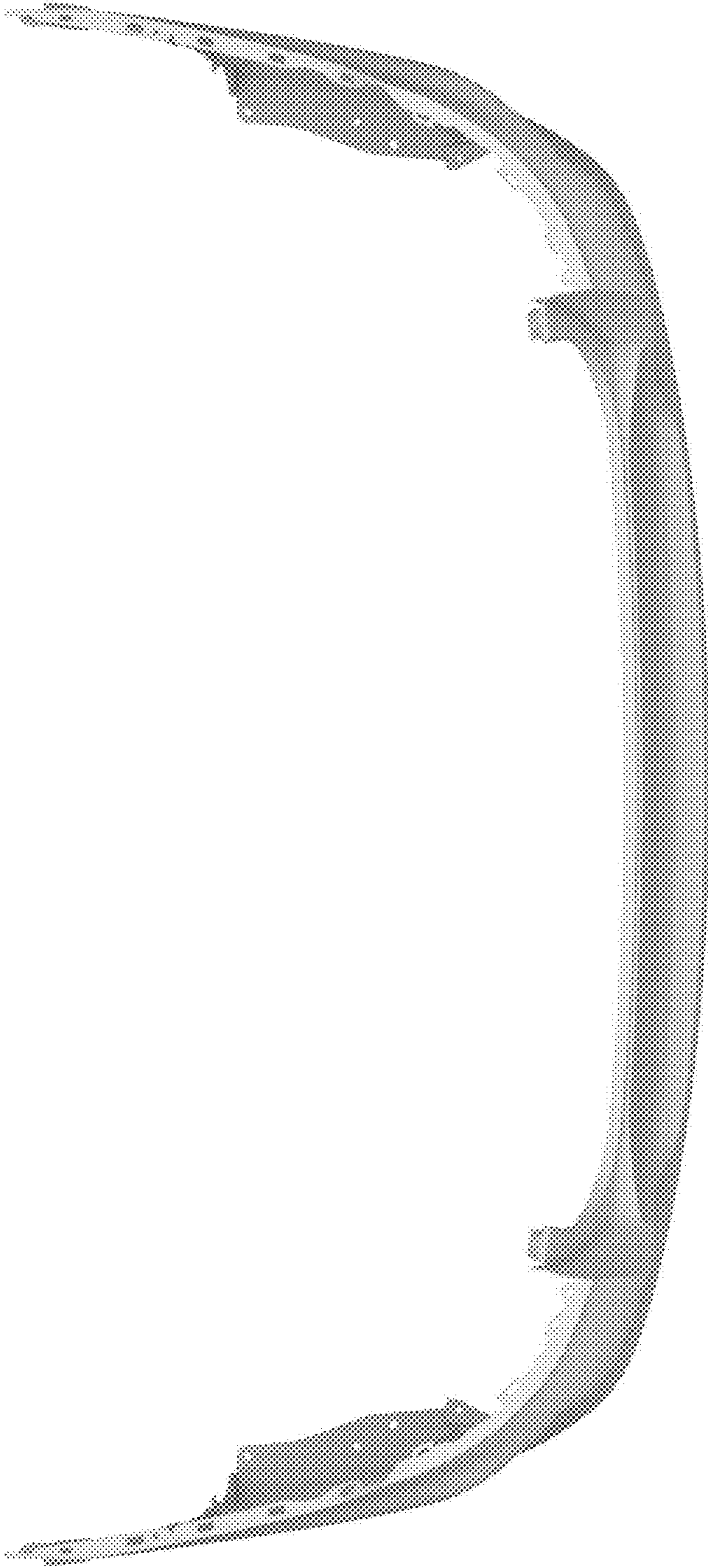


Fig. 6

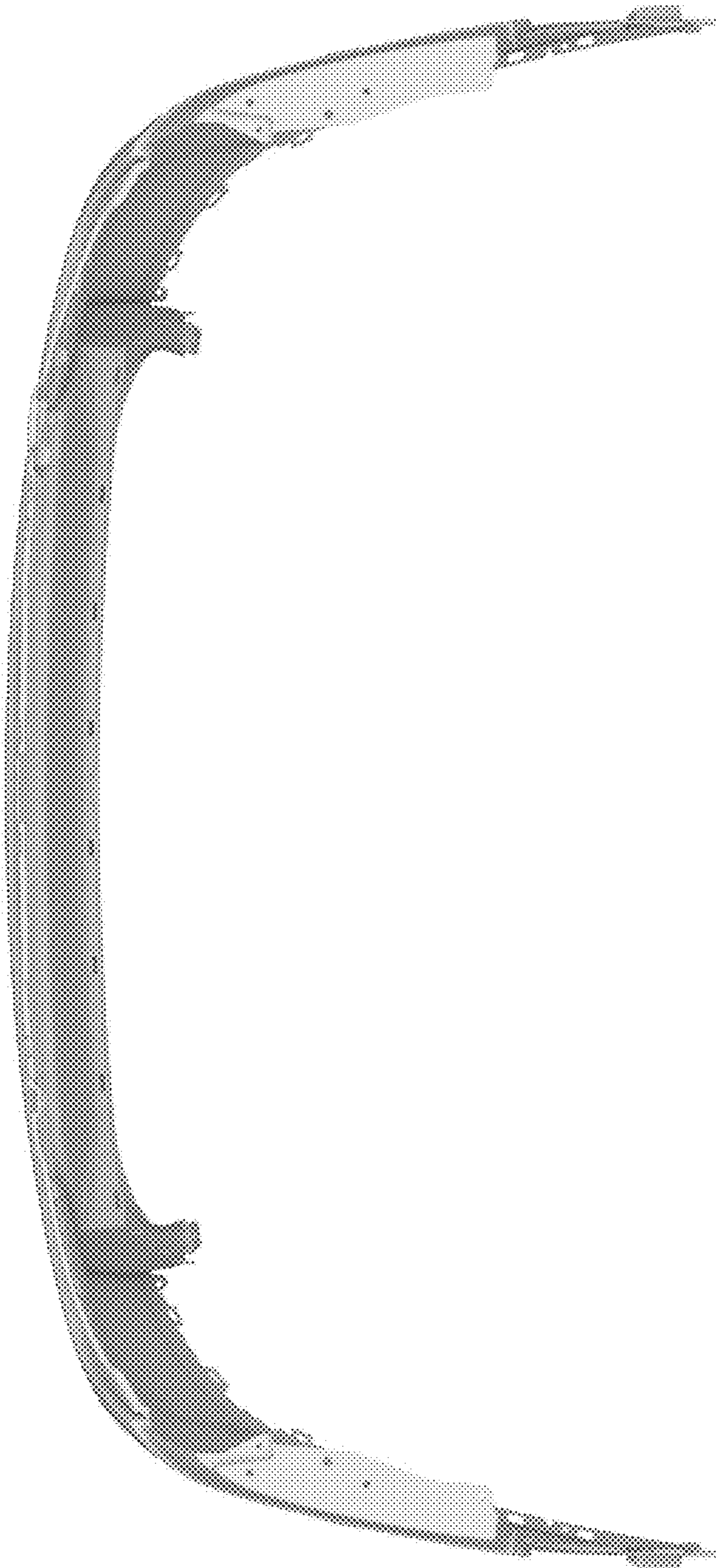


Fig. 7



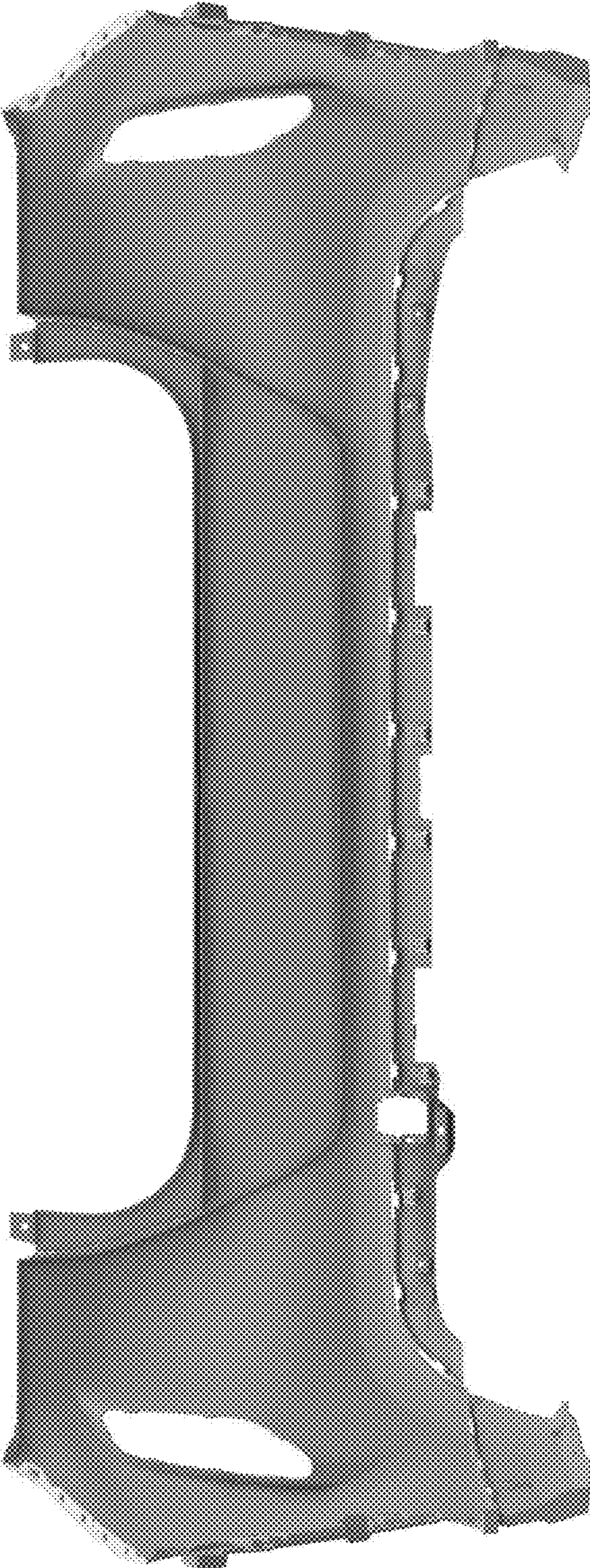


Fig. 8