



US00D927367S

(12) **United States Design Patent** (10) **Patent No.:** **US D927,367 S**  
**Lee et al.** (45) **Date of Patent:** **\*\* Aug. 10, 2021**

(54) **RADIATOR GRILLE FOR VEHICLES**  
(71) Applicants: **KIA MOTORS CORPORATION**,  
Seoul (KR); **HYUNDAI MOTOR**  
**COMPANY**, Seoul (KR)  
(72) Inventors: **Seung-Yeon Lee**, Gwacheon-si (KR);  
**Jung-Sang Yu**, Gimpo-si (KR)  
(73) Assignees: **Hyundai Motor Company**, Seoul  
(KR); **Kia Motors Corporation**, Seoul  
(KR)  
(\*\*) Term: **15 Years**  
(21) Appl. No.: **35/509,320**  
(22) Filed: **Mar. 27, 2020**  
(80) **Hague Agreement Data**  
Int. Filing Date: **Mar. 27, 2020**  
Int. Reg. No.: **DM/207645**  
Int. Reg. Date: **Mar. 27, 2020**  
Int. Reg. Pub. Date: **May 8, 2020**

(30) **Foreign Application Priority Data**  
Nov. 8, 2019 (KR) ..... 30-2019-0053405  
(51) **LOC (13) Cl.** ..... **12-16**  
(52) **U.S. Cl.**  
USPC ..... **D12/163**  
(58) **Field of Classification Search**  
USPC ..... D12/86, 90, 91, 92, 163, 169, 196, 171,  
D12/216; D15/31  
CPC . B60R 19/52; B60R 2019/525; B60K 11/085;  
B62D 25/084; H01Q 1/32  
See application file for complete search history.

(56) **References Cited**  
U.S. PATENT DOCUMENTS  
D535,222 S \* 1/2007 Onoue ..... D12/163  
D673,486 S \* 1/2013 Parkes ..... D12/169

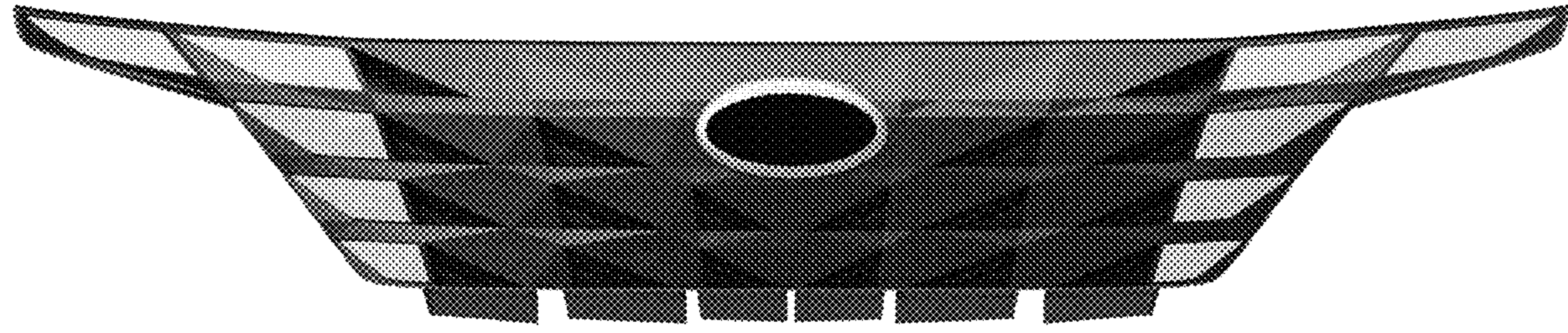
D736,122 S \* 8/2015 Hammoud ..... D12/163  
D752,484 S \* 3/2016 Davidson ..... D12/163  
D752,485 S \* 3/2016 Chung ..... D12/163  
D774,951 S \* 12/2016 Kazama ..... D12/92  
D775,553 S \* 1/2017 Ishii ..... D12/163  
D797,014 S \* 9/2017 Park ..... D12/163  
D824,809 S \* 8/2018 Minami ..... D12/92  
D831,545 S \* 10/2018 Smock ..... D12/163  
D836,502 S \* 12/2018 Koo ..... D12/163  
D836,503 S \* 12/2018 Koo ..... D12/163  
D838,628 S \* 1/2019 Tsutamori ..... D12/92  
D842,173 S \* 3/2019 Razaghi ..... D12/163  
D842,174 S \* 3/2019 Leong ..... D12/163  
10,281,113 B1 \* 5/2019 Salter ..... F21S 41/153  
D879,674 S \* 3/2020 Melville-Brown ..... D12/163  
2017/0129430 A1 \* 5/2017 Aizawa ..... B60R 19/52  
2018/0186319 A1 \* 7/2018 Sertkaya ..... B60R 19/00  
2018/0250854 A1 \* 9/2018 Dellock ..... B29C 45/0001  
2019/0035264 A1 \* 1/2019 Salter ..... G08G 1/166  
2019/0248274 A1 \* 8/2019 Salter ..... B60Q 1/34

\* cited by examiner  
*Primary Examiner* — Darlington Ly  
(74) *Attorney, Agent, or Firm* — Mintz Levin Cohn Ferris  
Glovsky and Popeo, P.C.; Peter F. Corless; Carolina E.  
Säve

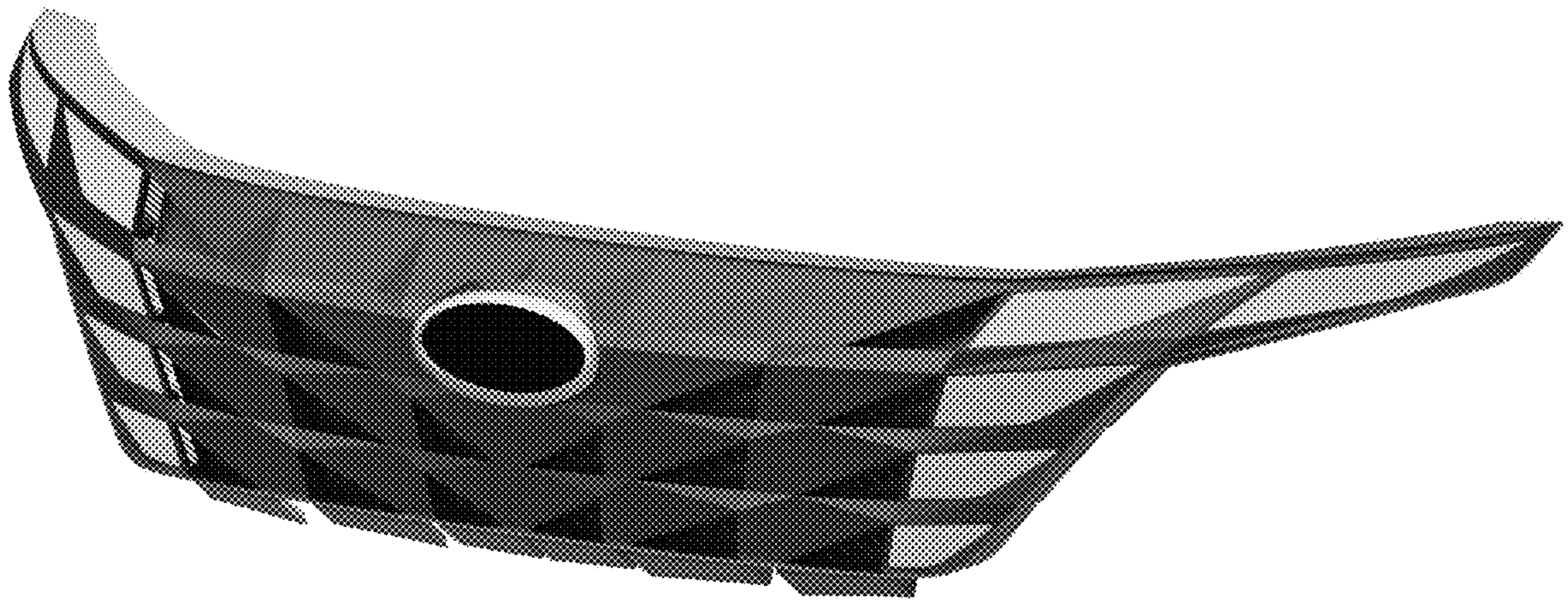
(57) **CLAIM**  
The ornamental design for a radiator grille for vehicles, as  
shown and described.

**DESCRIPTION**  
1. Radiator grille for vehicles  
1.1 is a top, front, and left side perspective view of a radiator  
grille for vehicles embodying our new design;  
1.2 is a front elevation view thereof;  
1.3 is a rear elevation view thereof;  
1.4 is a right side elevation view thereof;  
1.5 is a left side elevation view thereof;  
1.6 is a top plan view thereof;  
1.7 is a bottom plan view thereof; and  
1.8 is a bottom, rear, and right side perspective view thereof.

**1 Claim, 8 Drawing Sheets**

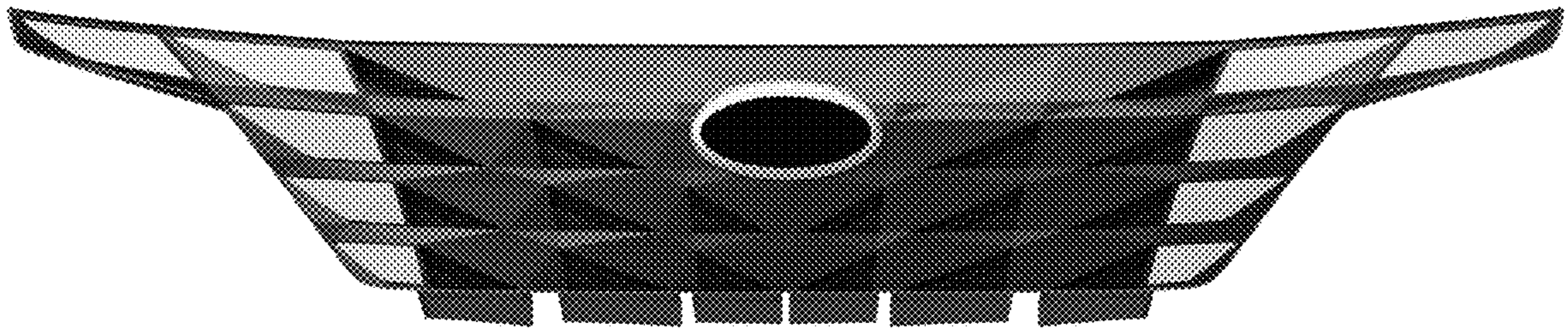


1.1

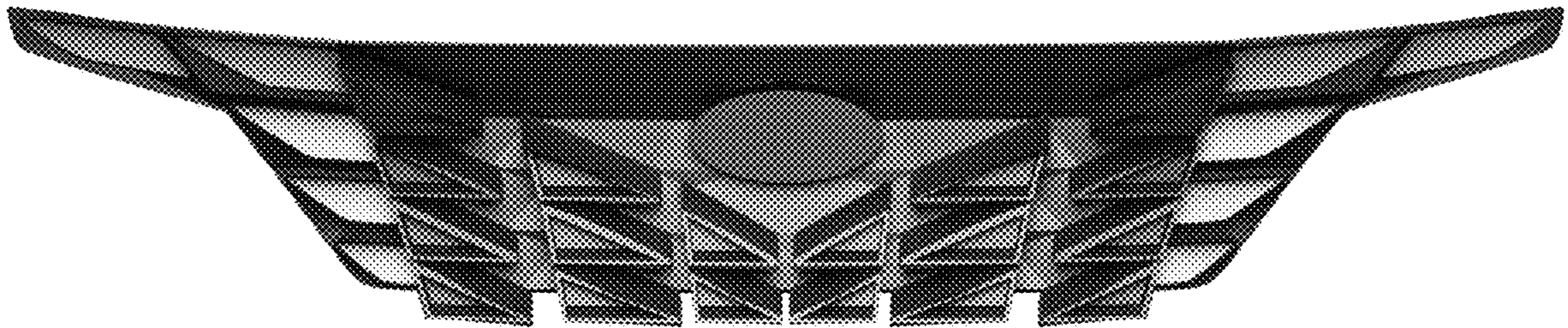


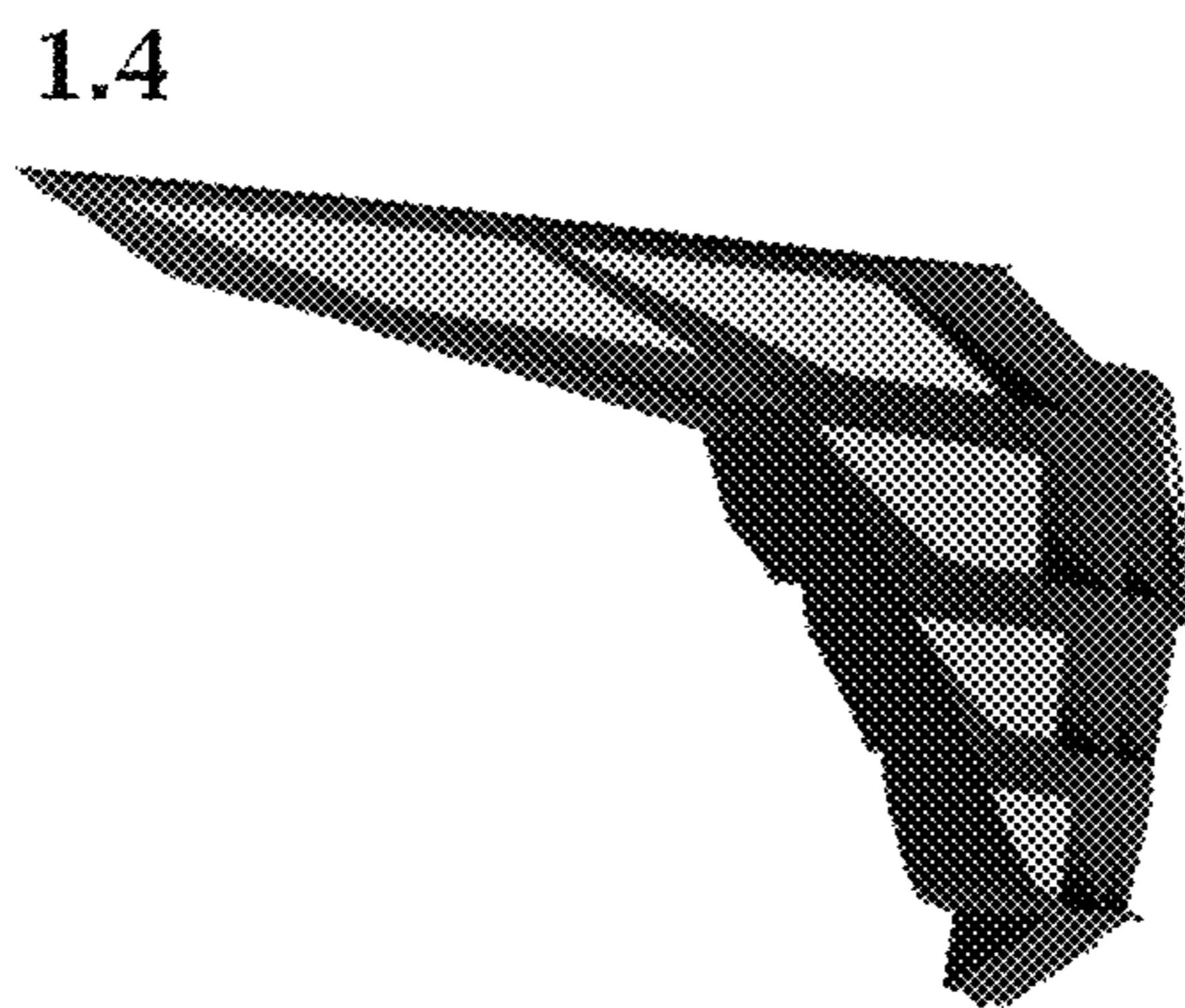


1.2

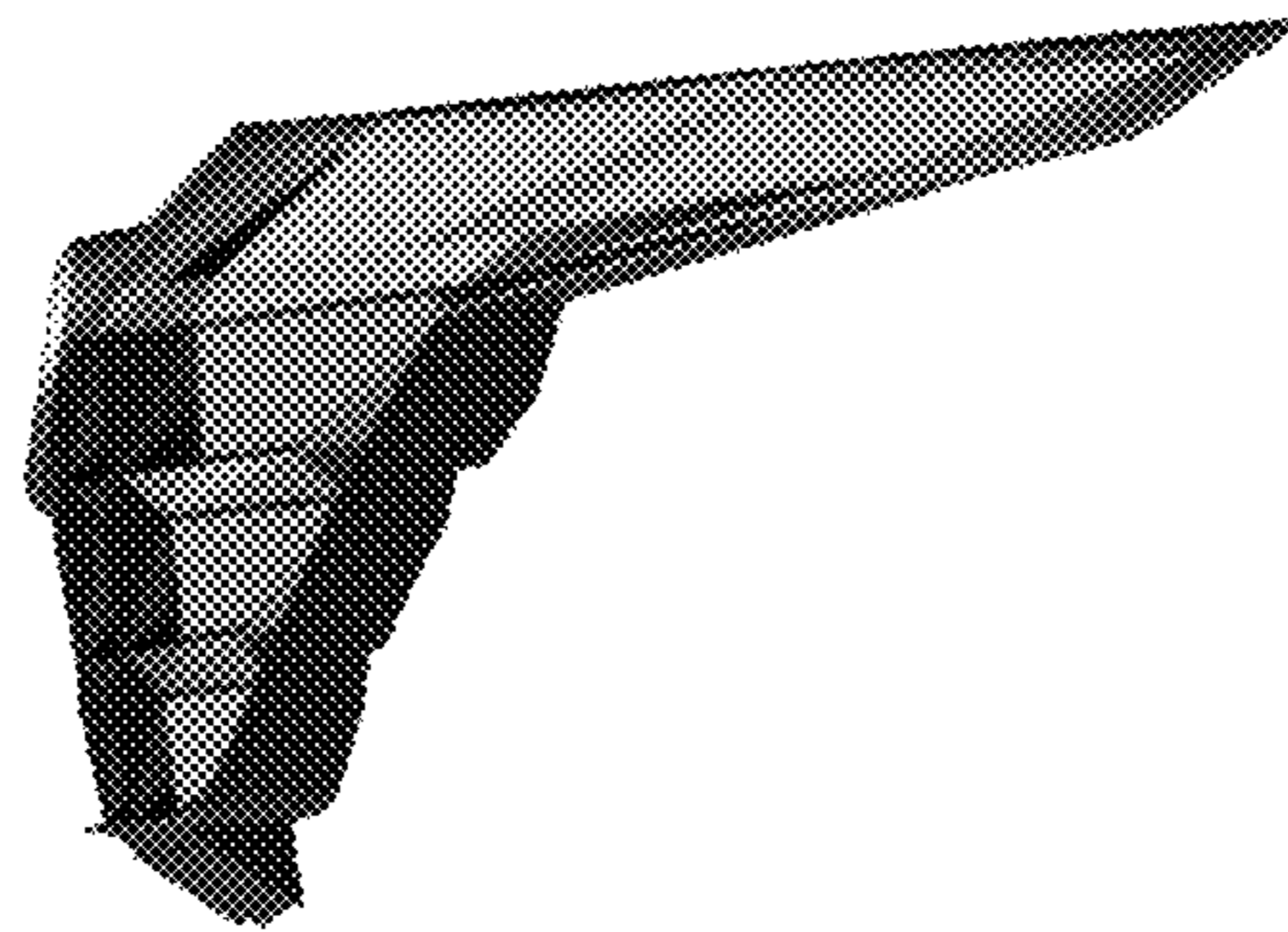


1.3

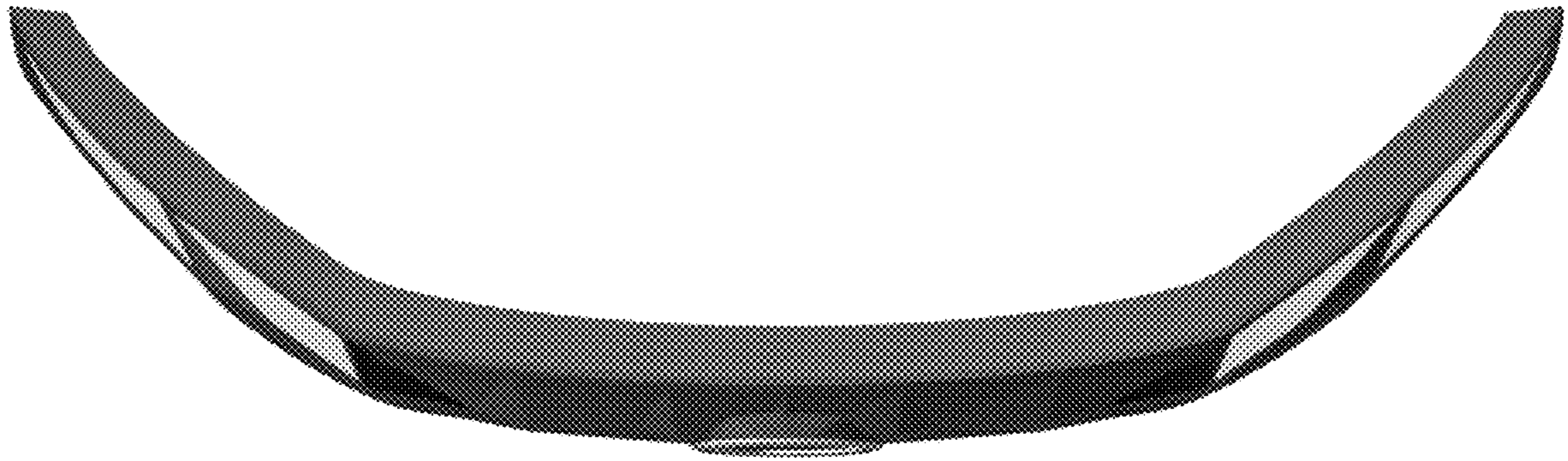




1.5



1.6



1.7





1.8

