



US00D927366S

(12) **United States Design Patent** (10) **Patent No.:** **US D927,366 S**
Repic et al. (45) **Date of Patent:** **** Aug. 10, 2021**

(54) **LOCKING HITCH PIN**
(71) Applicants: **Edward Michael Repic**, Temecula, CA
(US); **Cameron Repic**, Murrieta, CA
(US)
(72) Inventors: **Edward Michael Repic**, Temecula, CA
(US); **Cameron Repic**, Murrieta, CA
(US)

(**) Term: **15 Years**

(21) Appl. No.: **29/703,053**

(22) Filed: **Aug. 23, 2019**

(51) **LOC (13) Cl.** **12-16**

(52) **U.S. Cl.**
USPC **D12/162**

(58) **Field of Classification Search**
USPC D12/159-162
CPC . B60D 1/60; B60D 1/065; B60D 1/00; B60D
1/06; B60D 1/36
See application file for complete search history.

(56) **References Cited**

U.S. PATENT DOCUMENTS

D293,415	S	12/1987	Whitley, II	
4,711,106	A	12/1987	Johnson	
D320,777	S	10/1991	Goettker	
5,550,529	A	8/1996	Burge	
6,055,832	A	5/2000	Wyers	
7,225,649	B2	6/2007	Wyers	
7,698,915	B2	4/2010	Wyers	
D672,289	S	12/2012	MacKarvich	
D682,968	S *	5/2013	Adinolfi, Sr.	D21/810
8,607,600	B2	12/2013	Burmesch	
D724,930	S	3/2015	Kalous	
D797,009	S *	9/2017	Verboeket	D12/162

D808,246	S	1/2018	Blankenship	
D847,037	S *	4/2019	Hancock	D12/162
D866,412	S *	11/2019	Williams	D12/162
10,766,321	B2 *	9/2020	Pratt	B60D 1/363
10,766,323	B2 *	9/2020	Brown, Sr.	F16B 35/005
10,897,842	B2 *	1/2021	Bhosale	A01B 59/067
10,899,182	B2 *	1/2021	Lasater	A01B 59/042
10,906,368	B2 *	2/2021	Hancock	B60D 1/58
D914,551	S *	3/2021	Merten	D12/162
2007/0007782	A1 *	1/2007	Kalous	B60D 1/60 296/1.07
2010/0043508	A1	2/2010	Burmesch et al.	
2016/0326781	A1	11/2016	Chen et al.	
2018/0147715	A1 *	5/2018	Promo	B25G 1/102

* cited by examiner

Primary Examiner — Katrina A Betton

(74) *Attorney, Agent, or Firm* — Goldstein Law Offices, P.C.

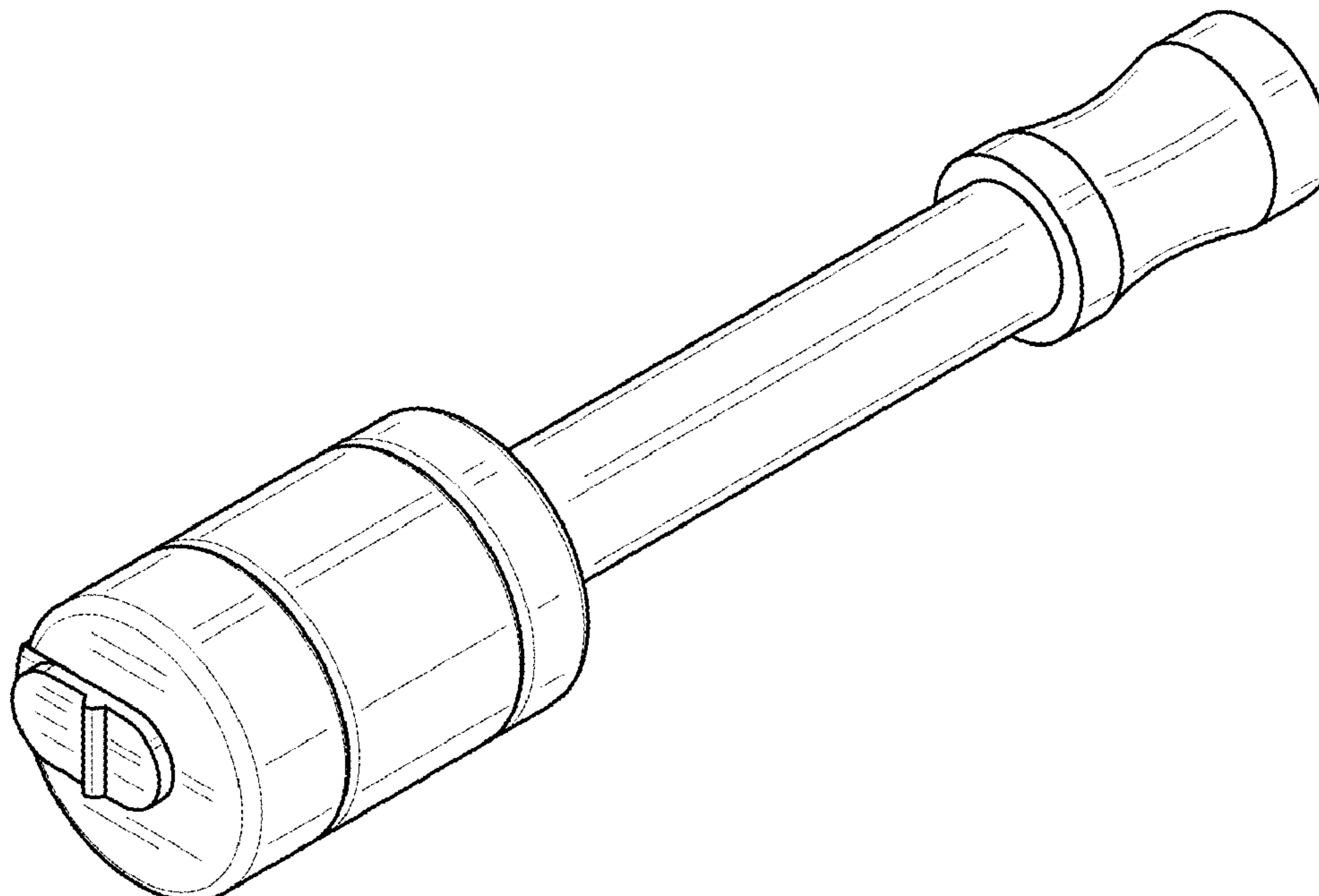
(57) **CLAIM**

The ornamental design for a locking hitch pin, as shown and described.

DESCRIPTION

FIG. 1 is a perspective view of the locking hitch pin.
FIG. 2 is a front elevational view of the locking hitch pin.
FIG. 3 is a rear elevational view thereof.
FIG. 4 is a top plan view thereof.
FIG. 5 is a bottom plan view thereof.
FIG. 6 is left side elevational view thereof.
FIG. 7 is a right side elevational view thereof; and,
FIG. 8 is a second perspective view of the locking hitch pin shown in an open position.
The broken lines showing in FIG. 8 are included for the purpose of showing unclaimed subject matter and form no part of the claimed design.

1 Claim, 5 Drawing Sheets



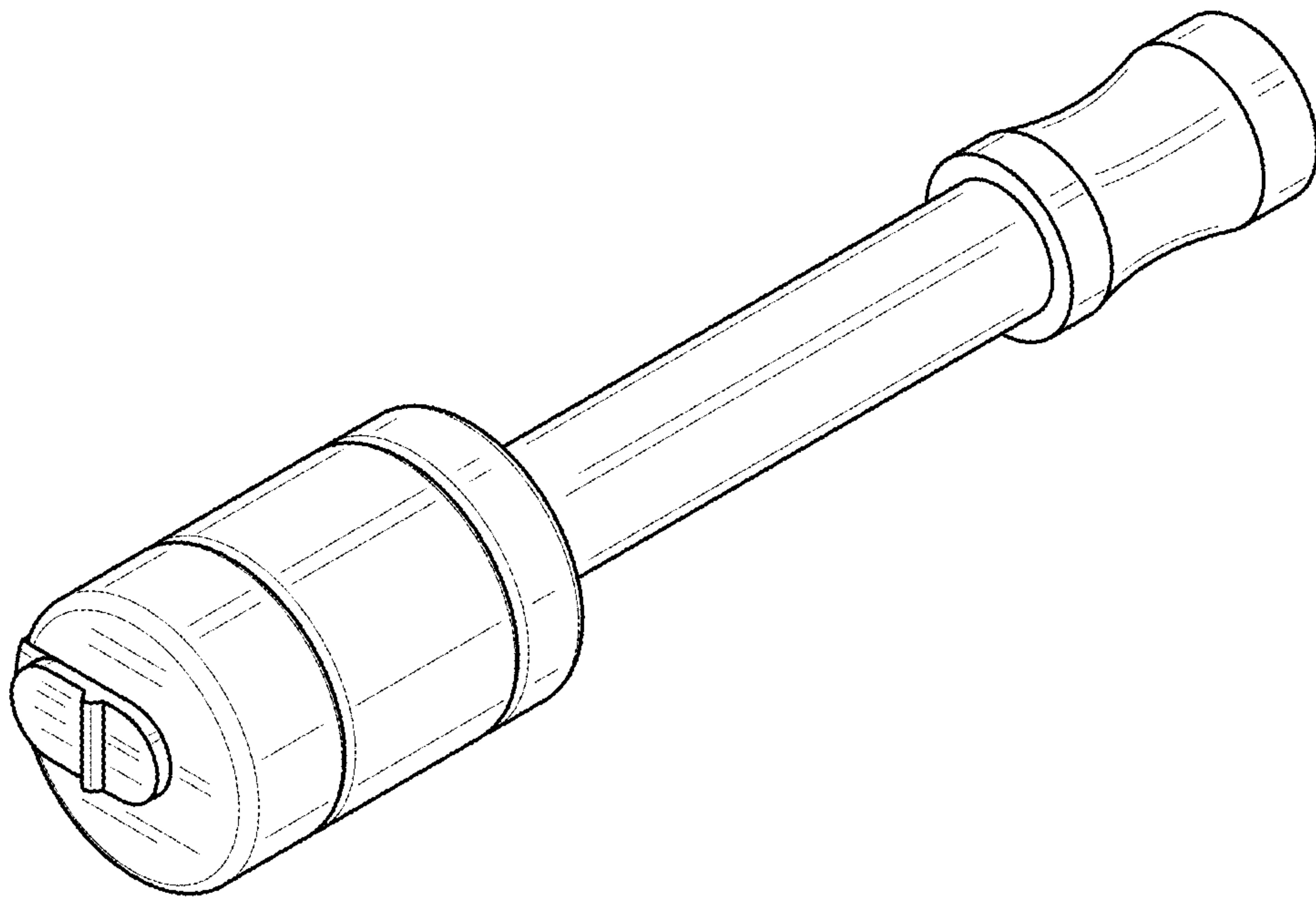


FIG. 1

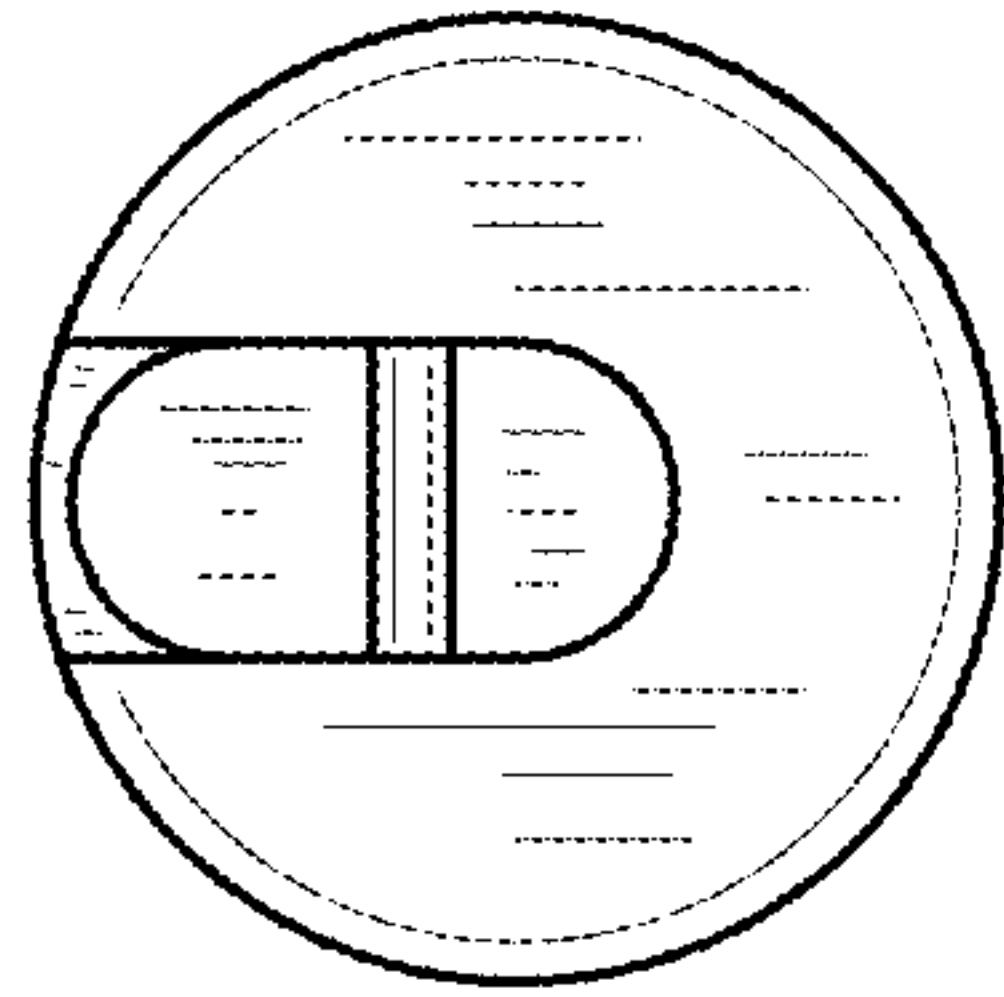


FIG. 2

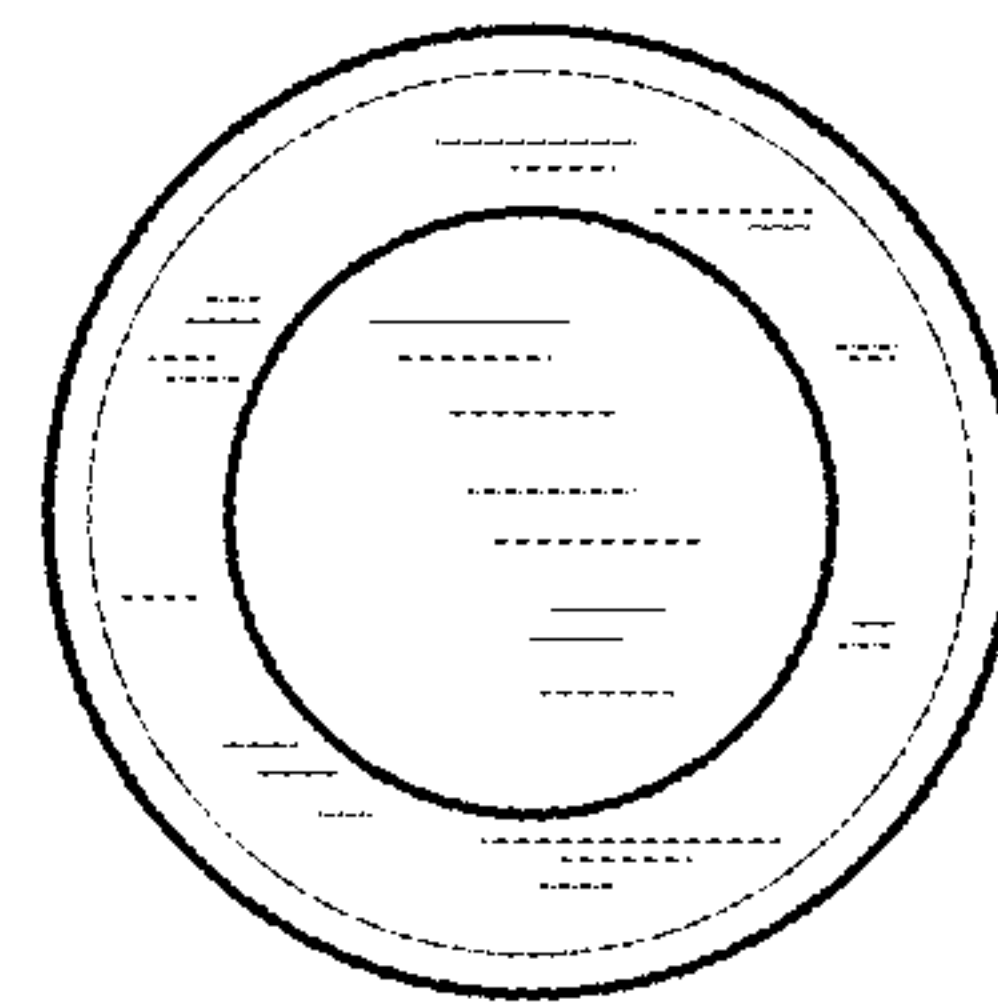


FIG. 3

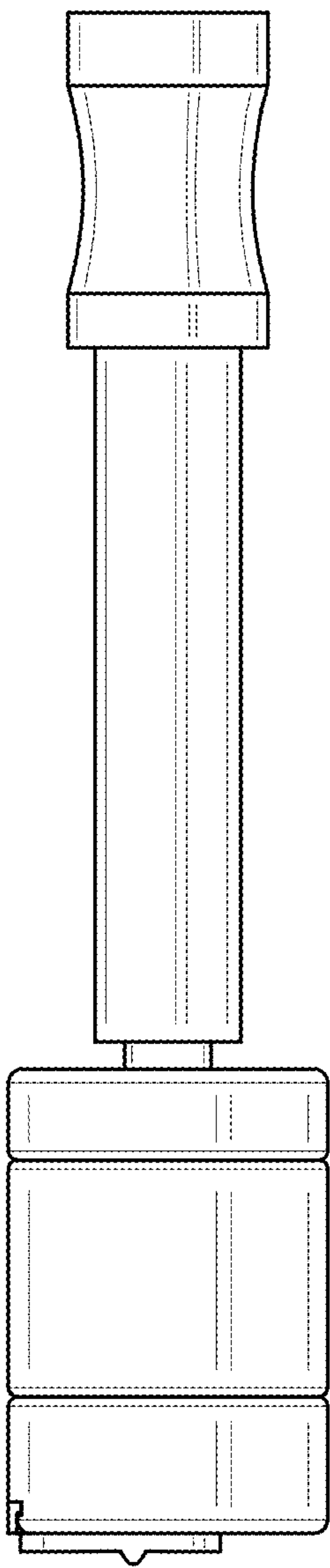


FIG. 4

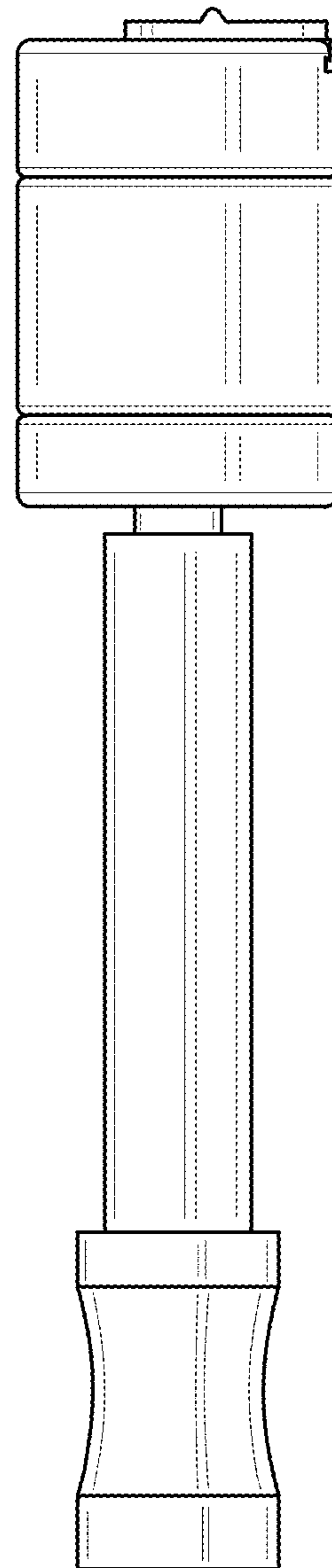


FIG. 5

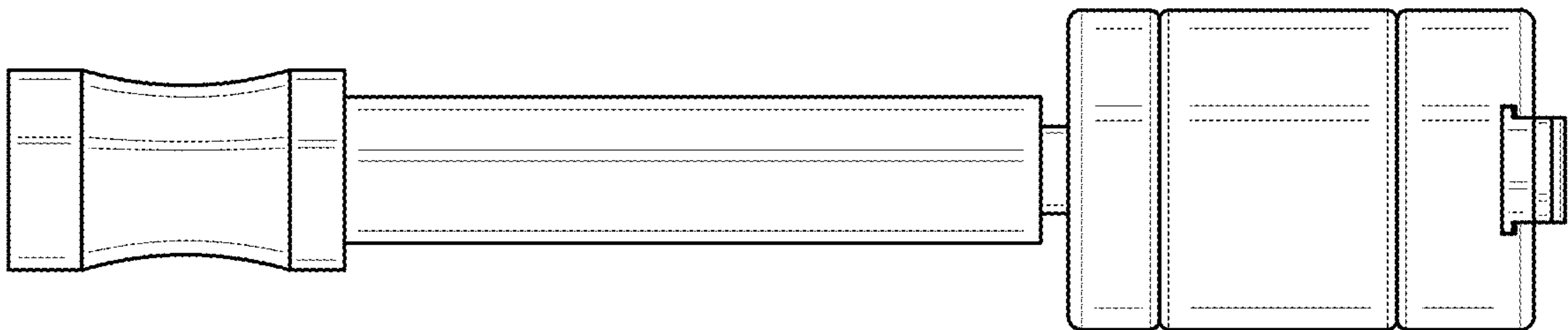


FIG. 6

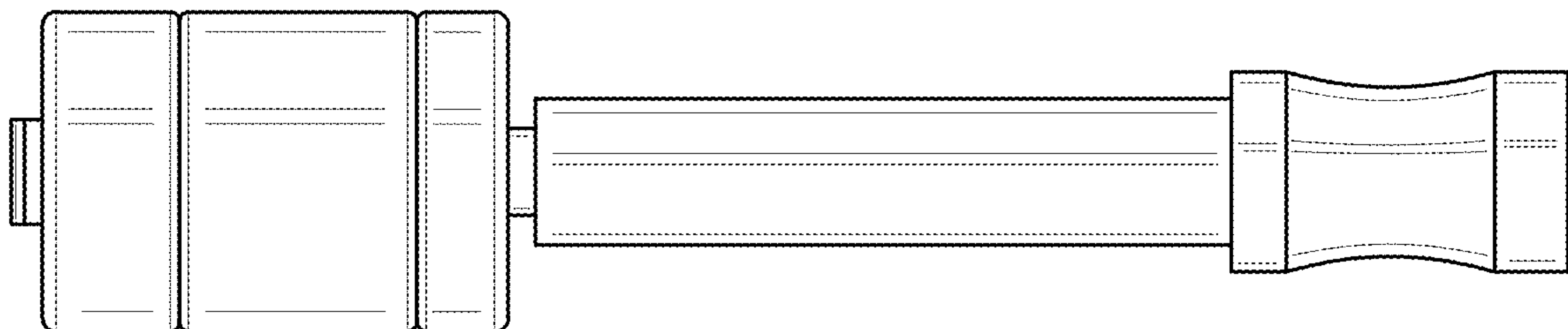


FIG. 7

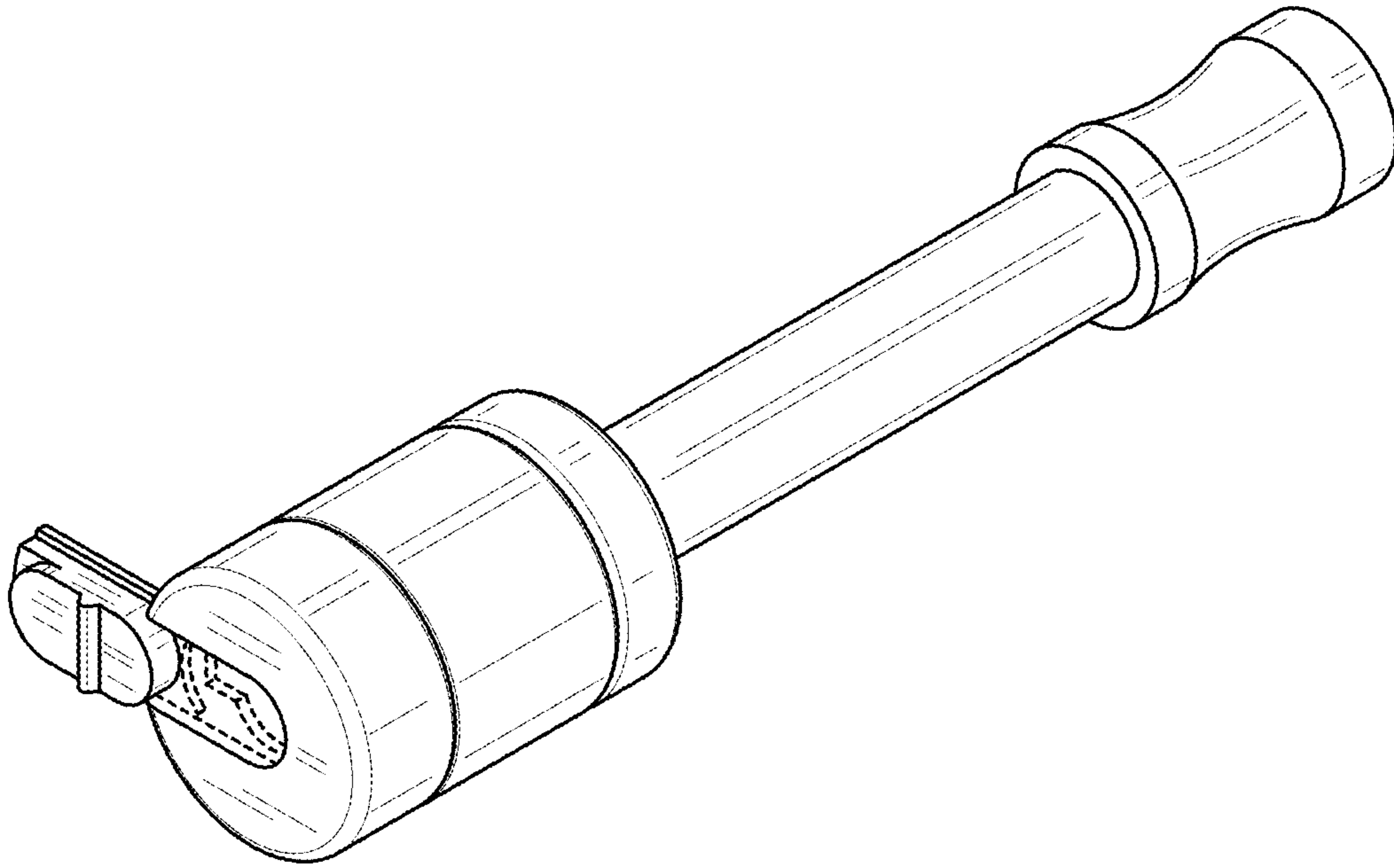


FIG. 8