



US00D927364S

(12) **United States Design Patent** (10) **Patent No.:** **US D927,364 S**  
**Zappa** (45) **Date of Patent:** **\*\* Aug. 10, 2021**

(54) **CONTAINER ATTACHABLE TO A BICYCLE RACK**

(71) Applicant: **ZAPPA WHEELS LLC**, Chicago, IL (US)

(72) Inventor: **John Zappa**, Chicago, IL (US)

(\*\*) Term: **15 Years**

(21) Appl. No.: **29/723,684**

(22) Filed: **Feb. 10, 2020**

(51) **LOC (13) Cl.** ..... **12-11**

(52) **U.S. Cl.**  
USPC ..... **D12/114; D12/414.1**

(58) **Field of Classification Search**  
USPC .... D12/114, 414.1, 414, 413, 412, 221, 406  
CPC ..... B60R 7/02; B60R 9/04; B60R 9/055  
See application file for complete search history.

(56) **References Cited**

U.S. PATENT DOCUMENTS

D340,218 S	*	10/1993	Delage	.....	D12/410
D434,719 S	*	12/2000	McCoy	.....	D12/413
D447,460 S	*	9/2001	Snook	.....	D12/413
D459,287 S	*	6/2002	Beard	.....	D12/406
D462,312 S	*	9/2002	Klein	.....	D12/413
D475,007 S	*	5/2003	McCoy	.....	D12/423
D477,562 S	*	7/2003	McCoy	.....	D12/406
D484,697 S	*	1/2004	McCoy	.....	D3/304
D494,535 S	*	8/2004	McCoy	.....	D12/423
D707,447 S	*	6/2014	Eriksson	.....	D3/304
D798,798 S	*	10/2017	Krusinski	.....	D12/413
D813,785 S	*	3/2018	Badillo	.....	D12/412
D815,012 S	*	4/2018	Badillo	.....	D12/412

OTHER PUBLICATIONS

“Bicycle Cargo Shelf” ZappaWheels., posted date Jul. 15, 2020 [online], [retrieved on May 20, 2021]. Retrieved from the Internet

<<https://www.zappawheels.com/store/p3/bikecargoshelf.html>> (Year: 2020).\*

“Dirza Rear Bike Rack Bicycle Cargo Rack” DIRZA., posted date May 2, 2017 [online], [retrieved on May 20, 2021]. Retrieved from the Internet <<https://www.amazon.com/Dirza-Bicycle-Release-Adjustable-Capacity/dp/B075WS4KX3>> (Year: 2017).\*  
Bicycle Rear Seat Post Rack Outtag., posted date Aug. 15, 2014 [online], [retrieved on May 20, 2021]. Retrieved from the Internet <[https://www.amazon.com/Outtag-Retractable-Aluminum-Bicycle-install/dp/B00MR0PIGW/ref=sr\\_1\\_39?dchild=1&keywords=rear+back+shelf+bicycle&qid=1621609869&sr=8-39](https://www.amazon.com/Outtag-Retractable-Aluminum-Bicycle-install/dp/B00MR0PIGW/ref=sr_1_39?dchild=1&keywords=rear+back+shelf+bicycle&qid=1621609869&sr=8-39)> (Year: 2014).\*

\* cited by examiner

*Primary Examiner* — Darlington Ly  
*Assistant Examiner* — Nasim Abdulaziz Ali  
(74) *Attorney, Agent, or Firm* — Eugenio J. Torres-Oyola; Rafael Rodriguez-Muriel; Jean G. Vidal-Font

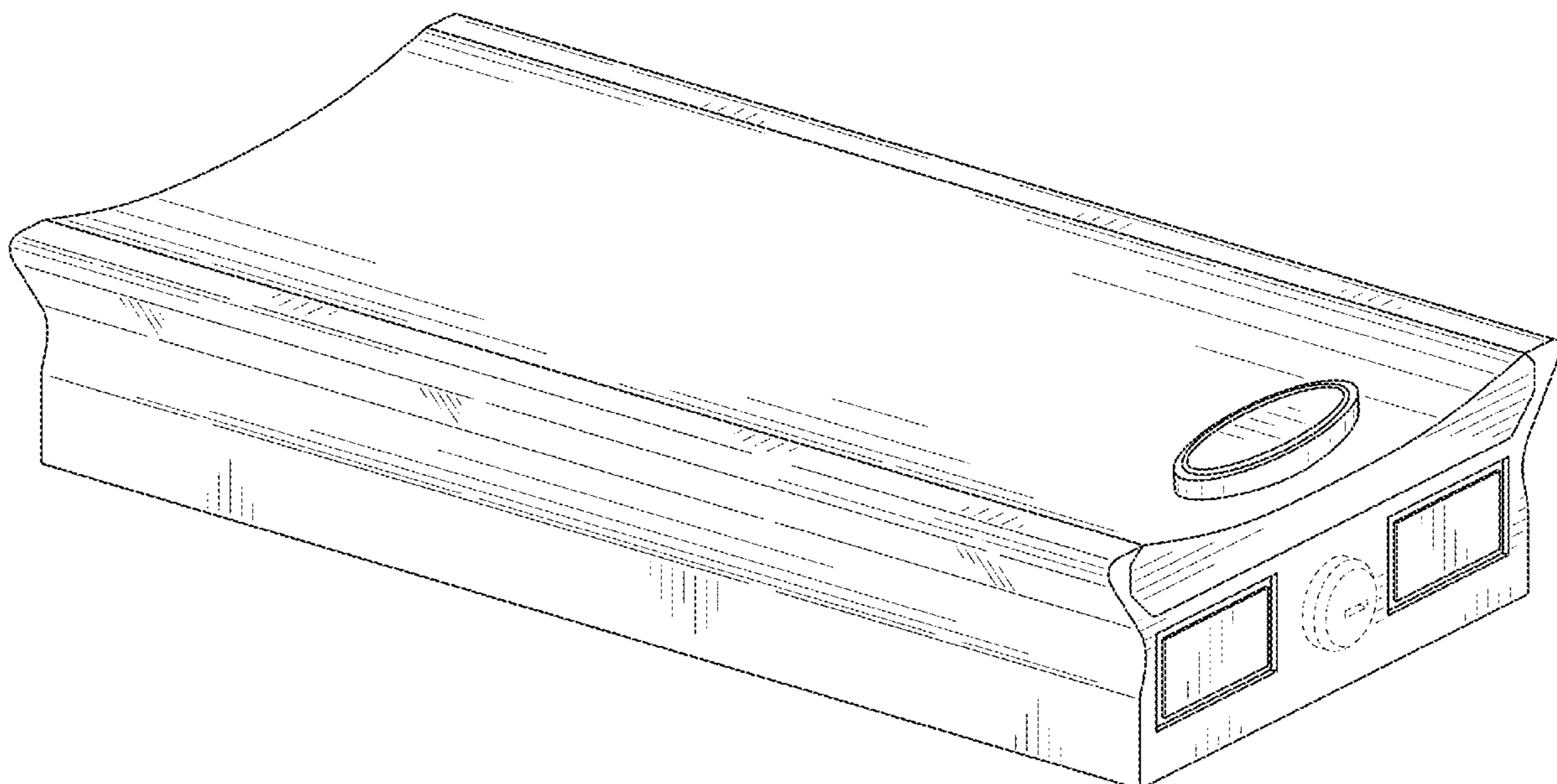
(57) **CLAIM**

The ornamental design for a container attachable to a bicycle rack, as shown and described.

**DESCRIPTION**

FIG. 1 is a top perspective view of a container attachable to a bicycle rack embodying my new design;  
FIG. 2 is a front elevation view thereof;  
FIG. 3 is a rear elevation view thereof;  
FIG. 4 is a left-side elevation view thereof;  
FIG. 5 is a right-side elevation view thereof;  
FIG. 6 is a top plan view thereof;  
FIG. 7 is a bottom plan view thereof;  
FIG. 8 is a bottom perspective view thereof; and,  
FIG. 9 is a perspective view thereof as installed on an exemplary bicycle.  
The broken lines shown in the drawings represent subject matter that form no part of the claimed design.

**1 Claim, 8 Drawing Sheets**



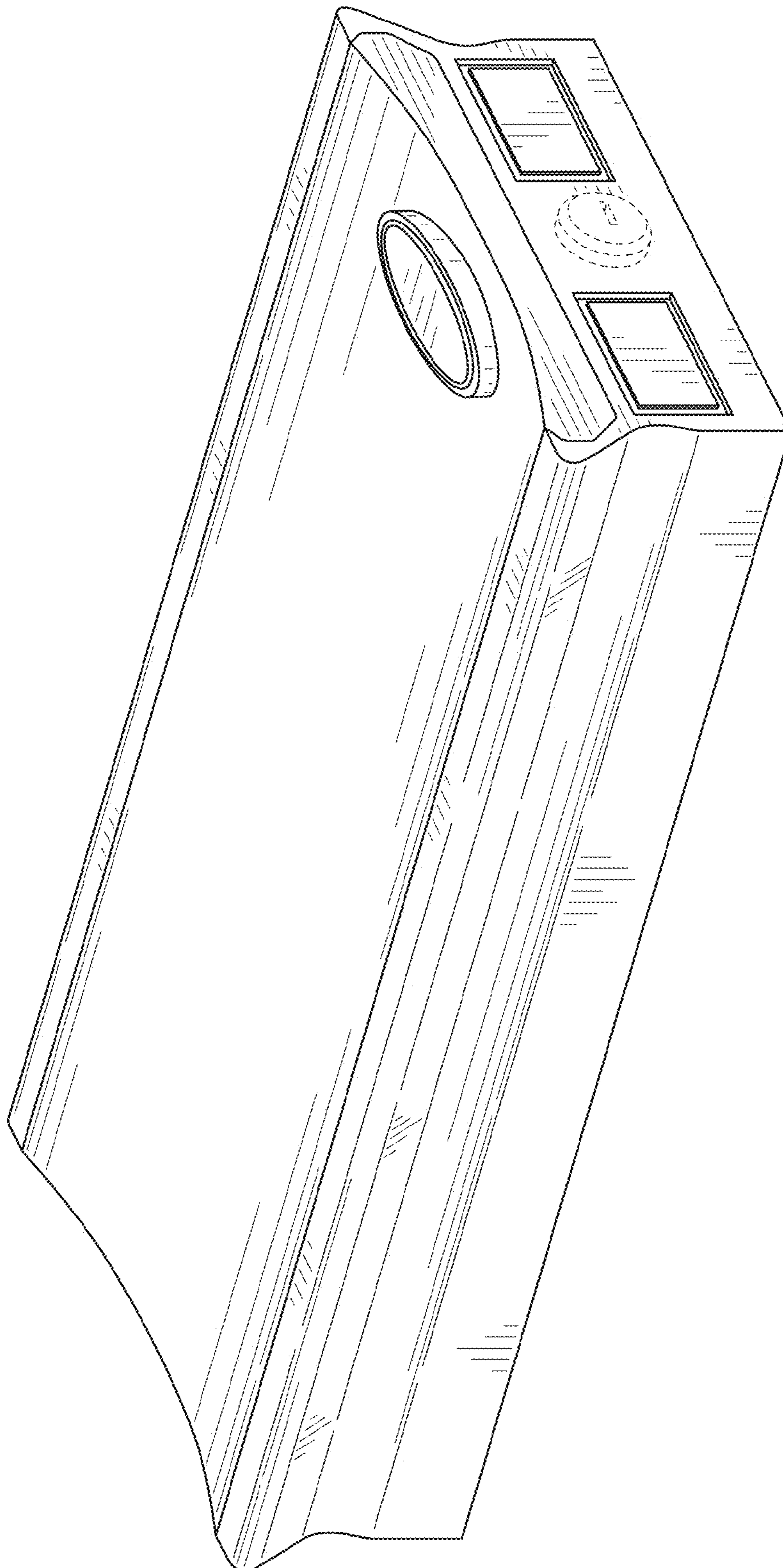


FIG. 1

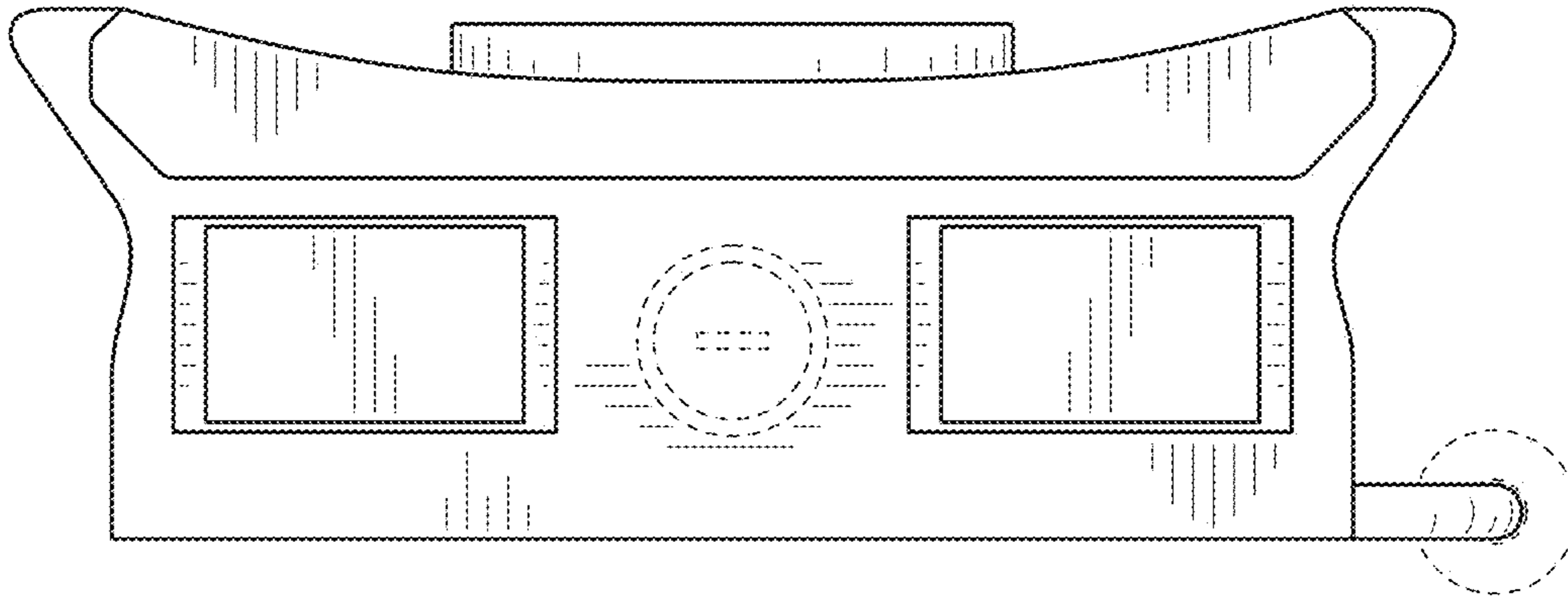


FIG. 2

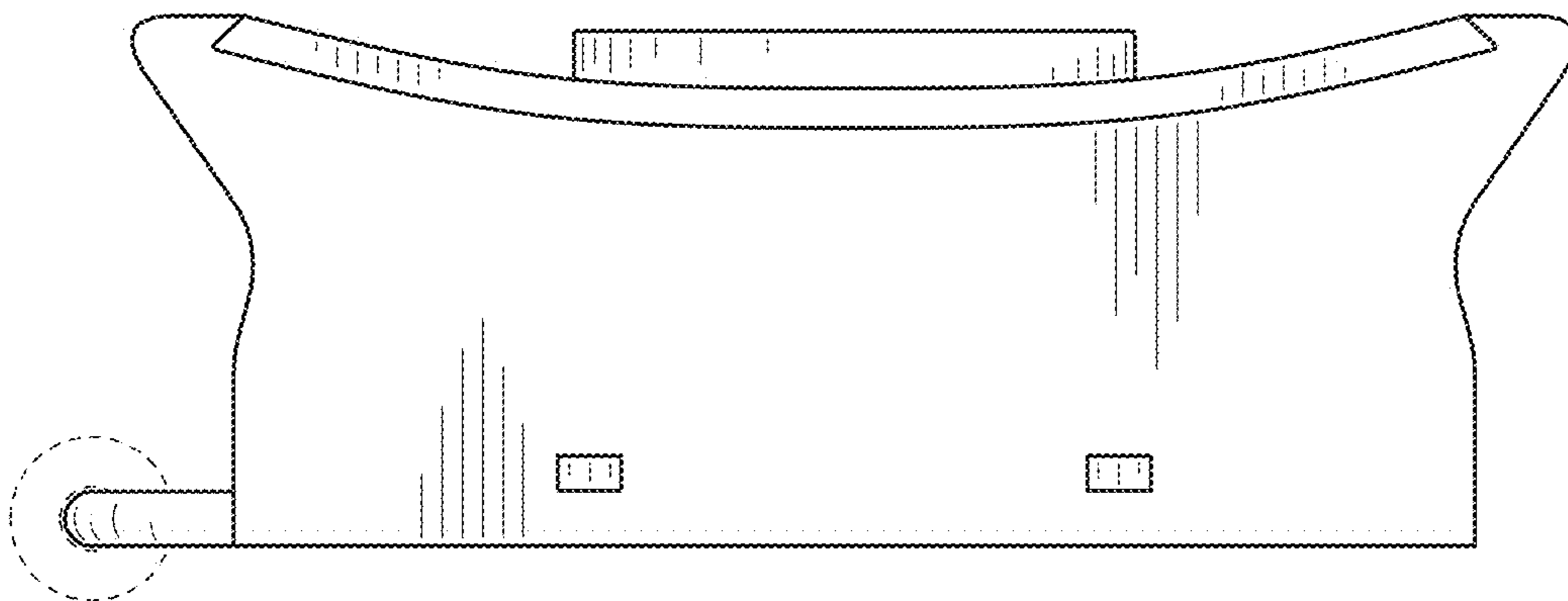


FIG. 3

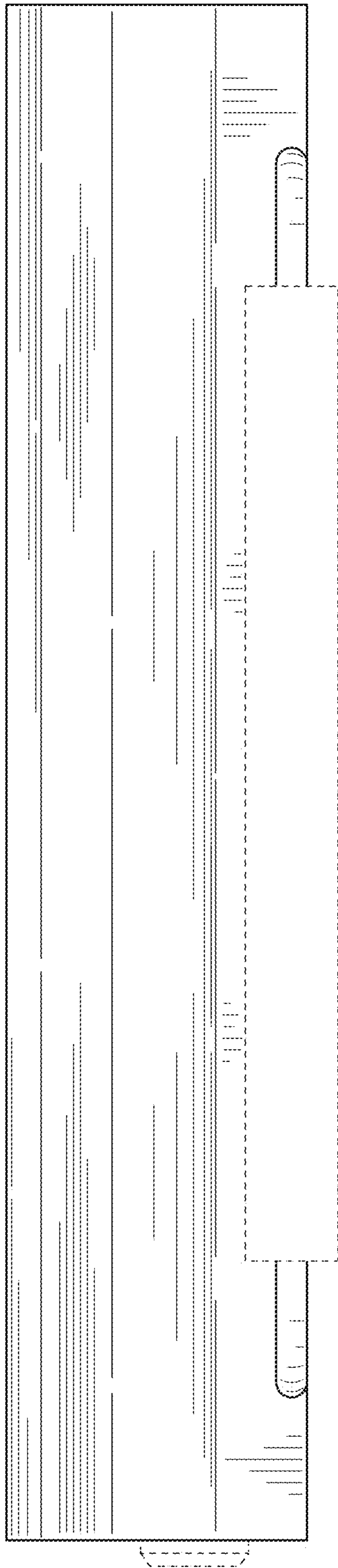


FIG. 4

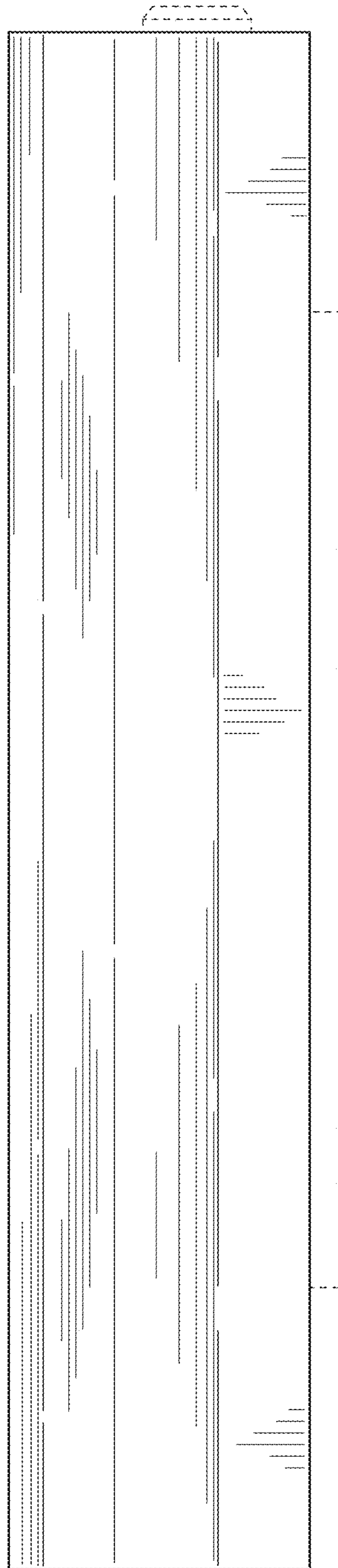


FIG. 5

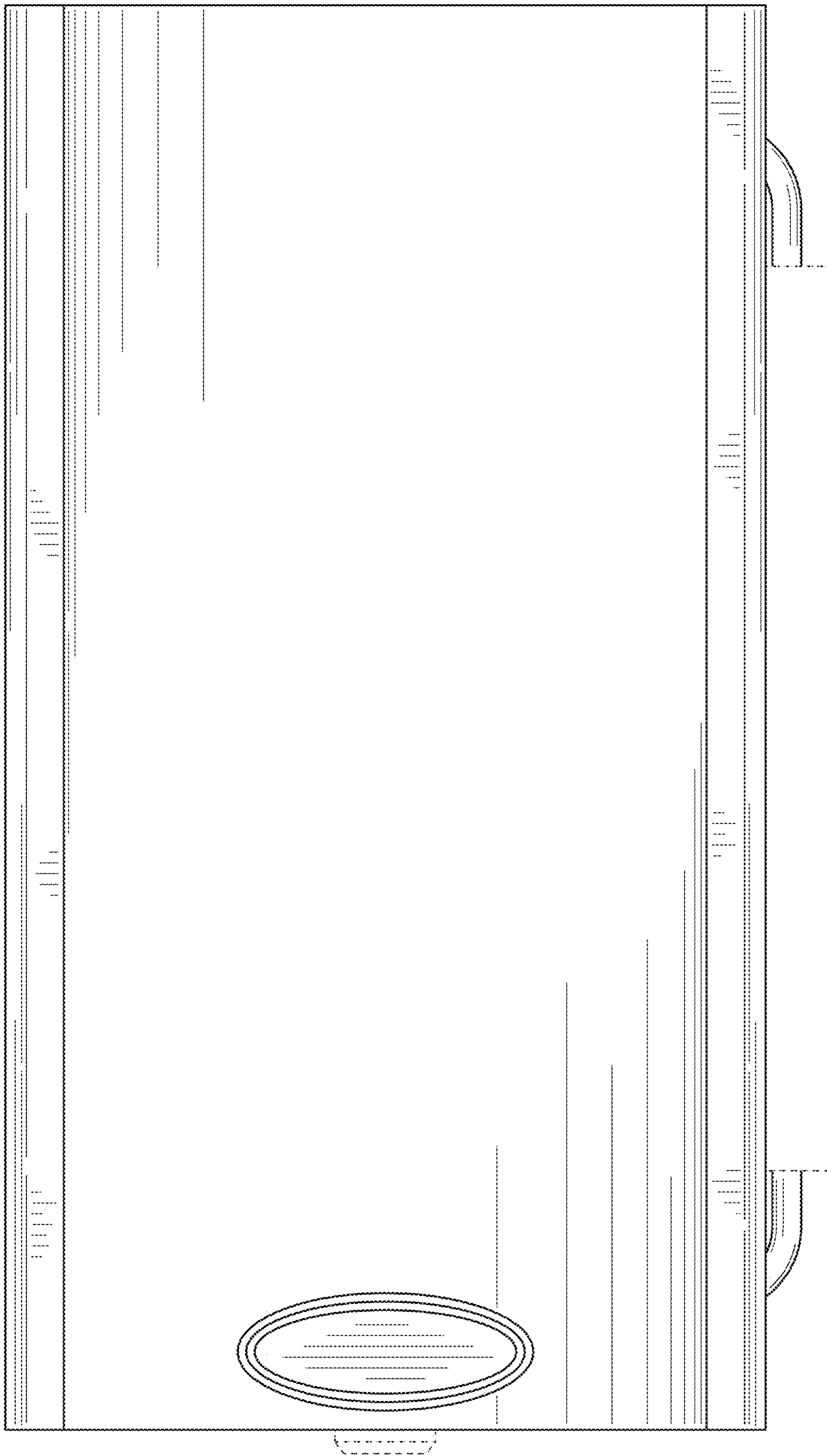


FIG. 6

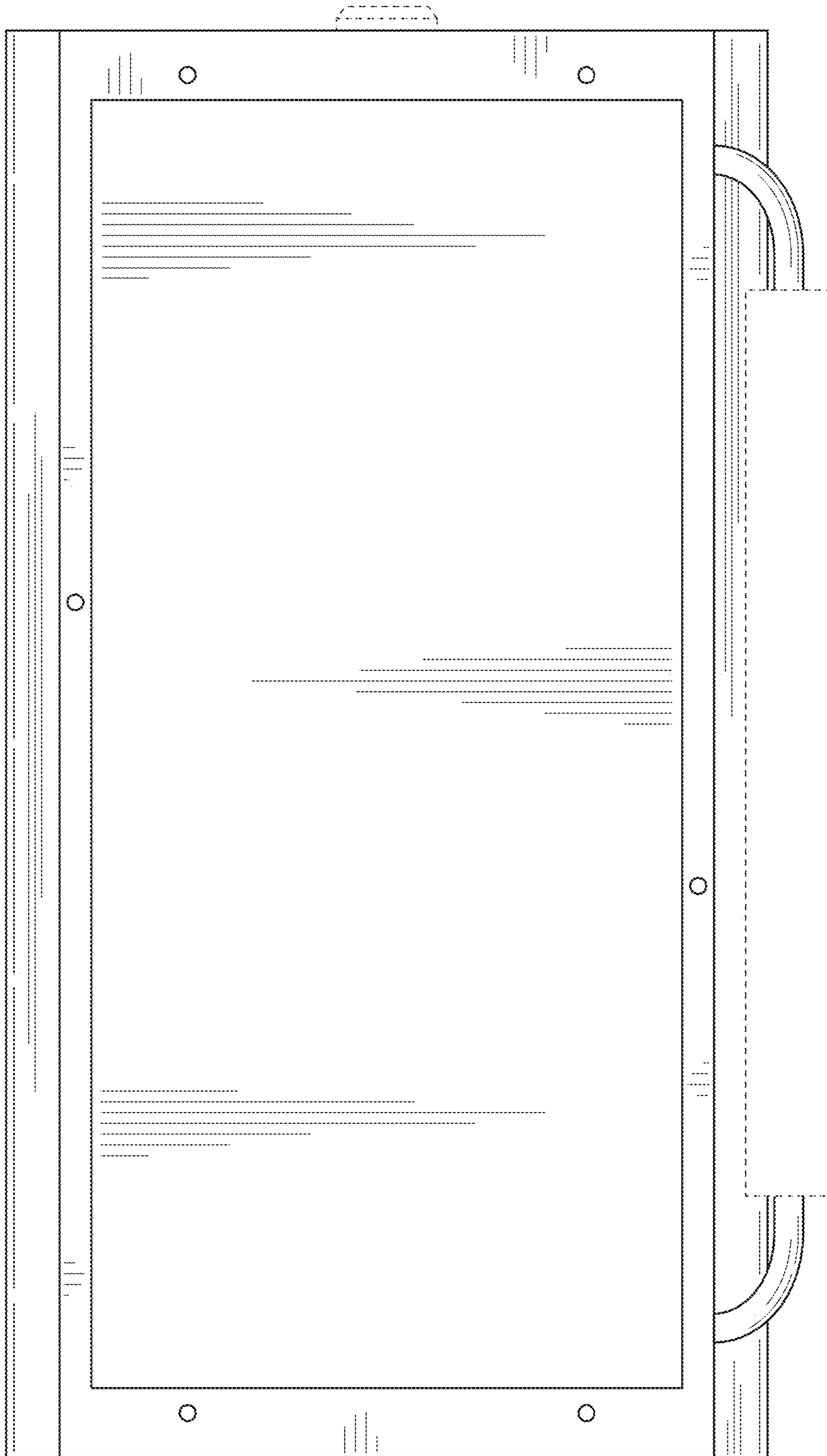


FIG. 7

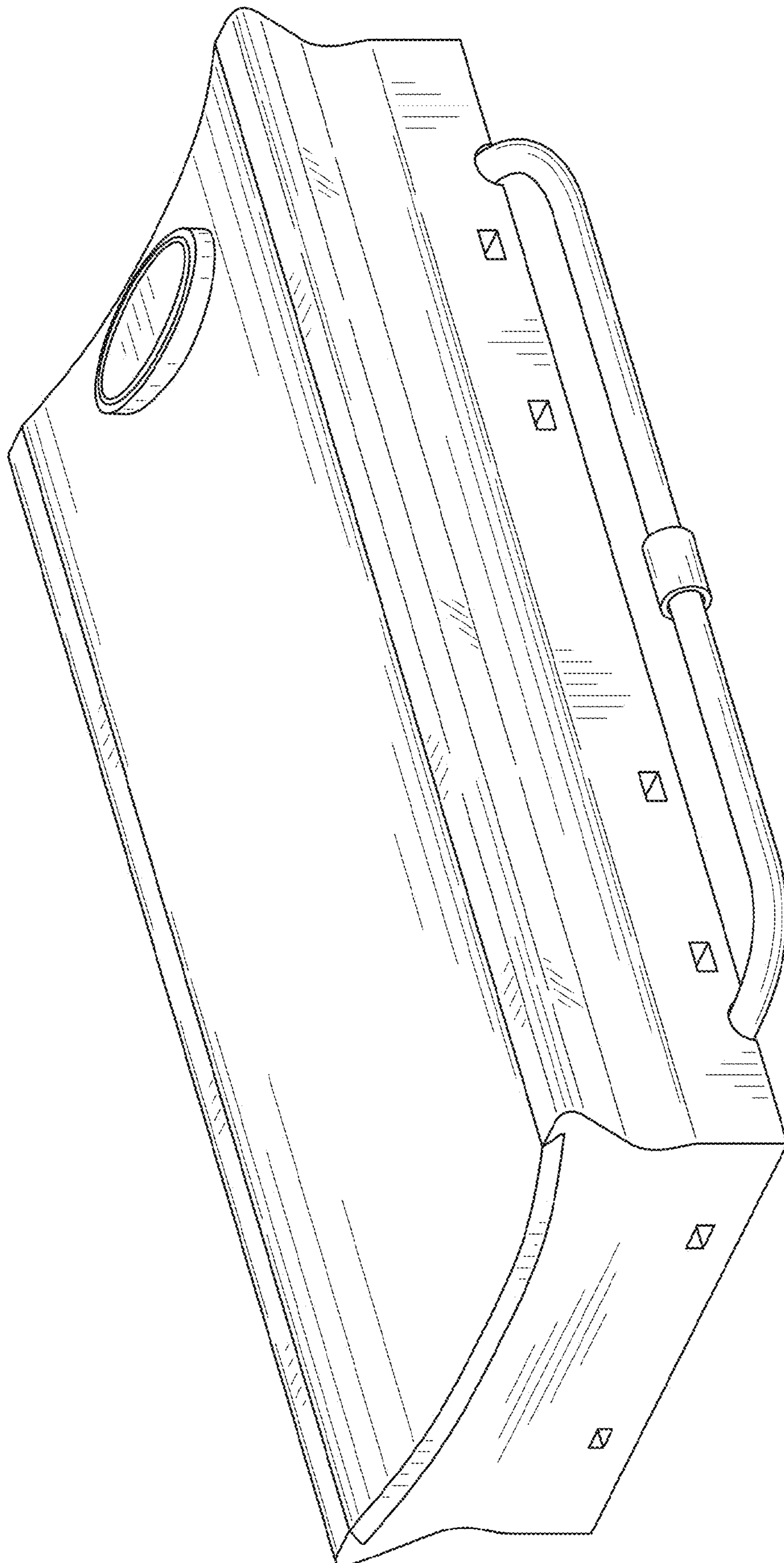


FIG. 8



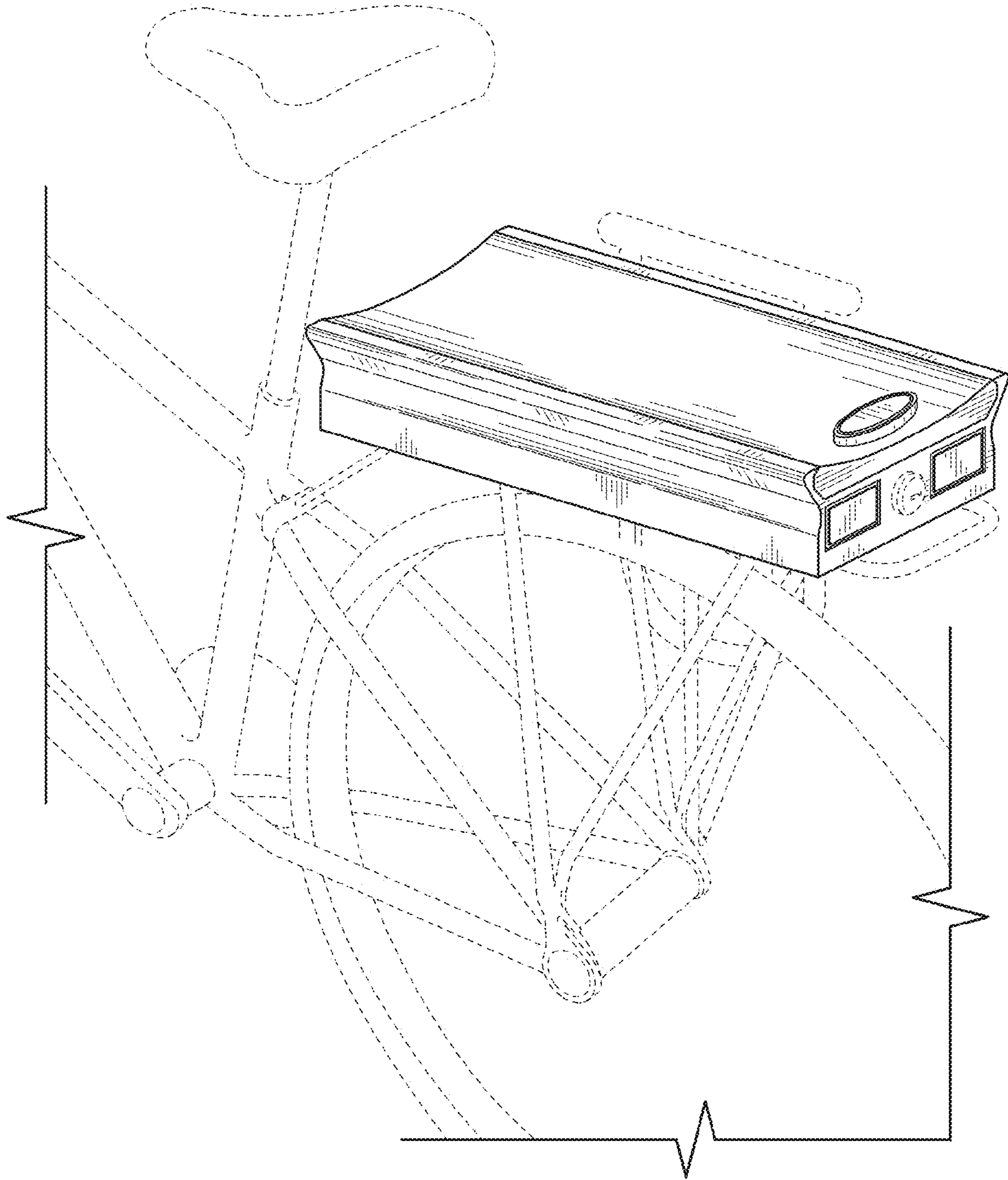


FIG. 9