



US00D927363S

(12) **United States Design Patent** (10) **Patent No.:** **US D927,363 S**  
**Zheng** (45) **Date of Patent:** **\*\* Aug. 10, 2021**

(54) **REVERSE TRIKE**  
(71) Applicant: **Julian Zheng**, Taizhou (CN)  
(72) Inventor: **Julian Zheng**, Taizhou (CN)  
(\*\*) Term: **15 Years**  
(21) Appl. No.: **29/709,315**  
(22) Filed: **Oct. 14, 2019**  
(51) **LOC (13) Cl.** ..... **12-11**  
(52) **U.S. Cl.**  
USPC ..... **D12/112**  
(58) **Field of Classification Search**  
USPC ..... D12/111, 112, 114, 117, 119  
CPC ... B62K 3/00; B62K 3/02; B62K 5/00; B62K  
5/003; B62K 5/007; B62K 5/01; B62K  
11/00; B62K 11/02; B62K 11/04; B62K  
15/00; B62K 2202/00; B62J 37/00  
See application file for complete search history.

(56) **References Cited**

**U.S. PATENT DOCUMENTS**

D267,792 S *	2/1983	Ohba	.....	D12/110
D267,862 S *	2/1983	Kimura	.....	D12/110
D268,747 S *	4/1983	Ito	.....	D12/110
D276,033 S *	10/1984	Ohba	.....	D12/110
D276,034 S *	10/1984	Makita	.....	D12/110
D276,035 S *	10/1984	Ito	.....	D12/110
D281,963 S *	12/1985	Watanabe	.....	D12/110
D286,761 S *	11/1986	Tamura	.....	D12/110
D287,835 S *	1/1987	Makita	.....	D12/110
D625,668 S *	10/2010	Chang	.....	D12/110
D788,647 S *	6/2017	Yokoyama	.....	D12/107
D819,498 S *	6/2018	Li	.....	D12/107
D841,521 S *	2/2019	Bao	.....	D12/112
D869,342 S *	12/2019	Heidl	.....	D12/112
D908,047 S *	1/2021	Seljestad	.....	D12/112

2017/0259875 A1 *	9/2017	Chang	.....	B62K 25/16
2018/0229796 A1 *	8/2018	Chojcecki	.....	B62K 5/10
2018/0237094 A1 *	8/2018	Fischer	.....	B62K 5/06

**OTHER PUBLICATIONS**

“Motor Trike Prowler RT” Rider Magazine., posted date Jan. 4, 2017 [online], [retrieved on Jan. 28, 2021]. Retrieved from the Internet <URL: <https://ridermagazine.com/2017/01/04/motor-trike-prowler-rt-ridden-rated-review/>> (Year: 2017).\*

“Reverse Trike Club” Anglo Israel., posted date Aug. 18, 2018 [online], [retrieved on Jan. 28, 2021]. Retrieved from the Internet <URL: <http://www.angloisrael.com/reversetrike/>> (Year: 2018).\*

“MC-D150TKA Reverse-Trike” Extreme Big Boy Toys., posted date Jun. 25, 2019 [online], [retrieved on Jan. 28, 2021]. Retrieved from the Internet <URL: <https://extreme-bigboystoys.com/listings/mc-d150tka-reverse-trike/>> (Year: 2019).\*

\* cited by examiner

*Primary Examiner* — Darlington Ly

*Assistant Examiner* — Nasim Abdulaziz Ali

(57) **CLAIM**

The ornamental design for a reverse trike, as shown and described.

**DESCRIPTION**

FIG. 1 is a top, right side perspective view of a reverse trike embodying my new design;

FIG. 2 is a bottom, right perspective view thereof.

FIG. 3 is a bottom, left perspective view thereof.

FIG. 4 is a left side elevation view thereof;

FIG. 5 is a right side elevation view thereof;

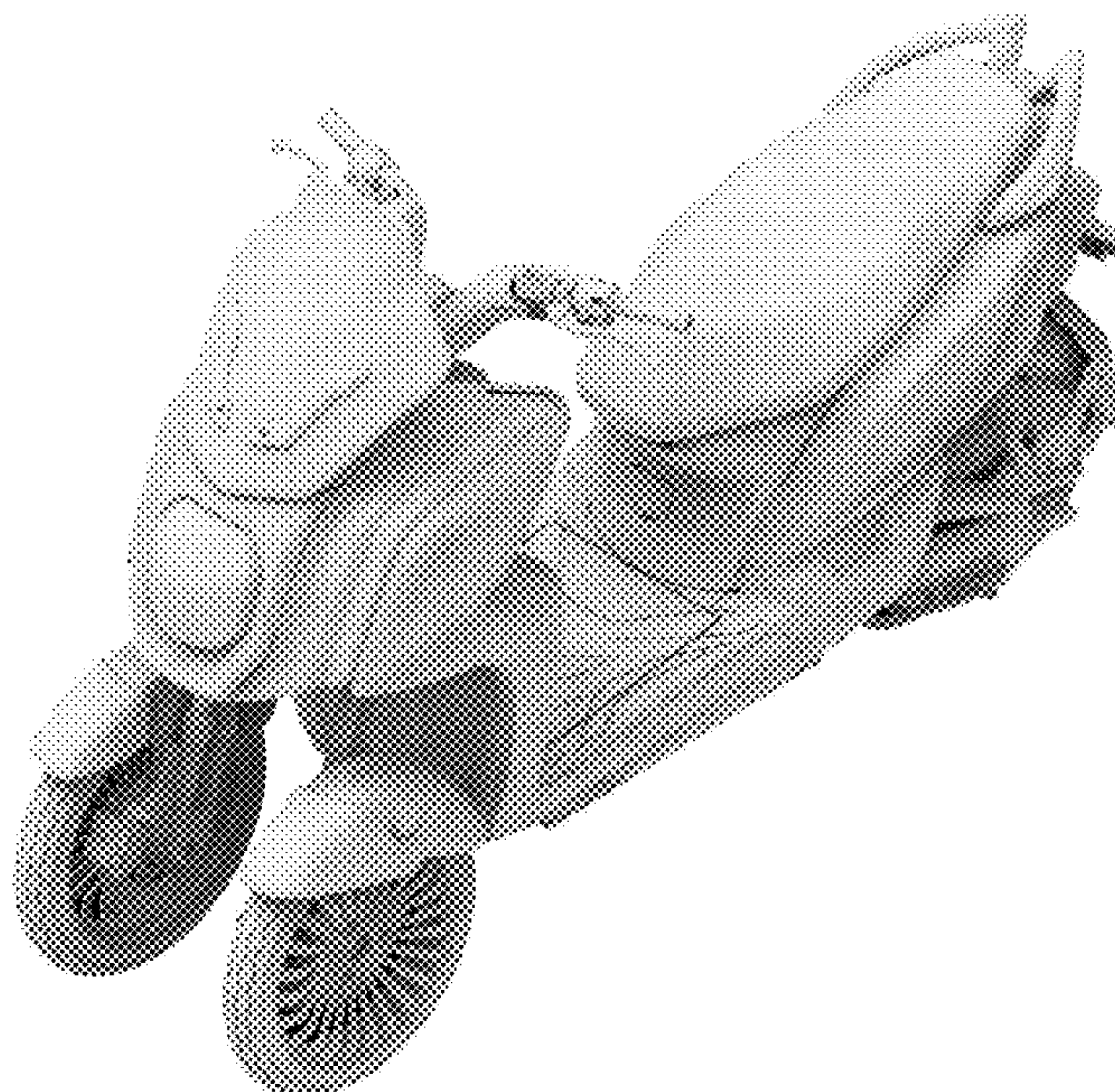
FIG. 6 is a front elevation view thereof;

FIG. 7 is a rear elevation view thereof;

FIG. 8 is a top plan view thereof; and,

FIG. 9 is a bottom bottom view thereof.

**1 Claim, 9 Drawing Sheets**





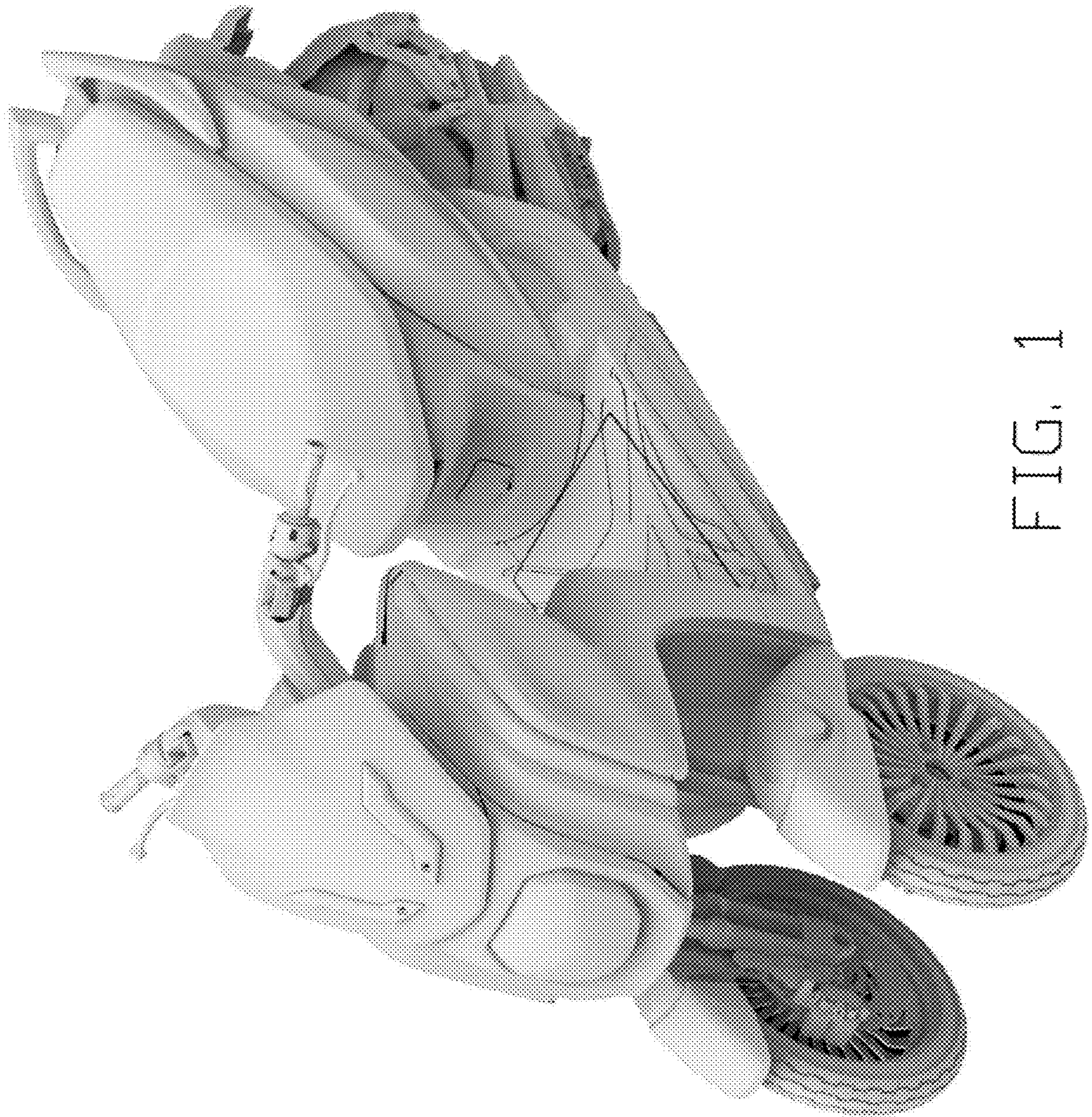


FIG. 1



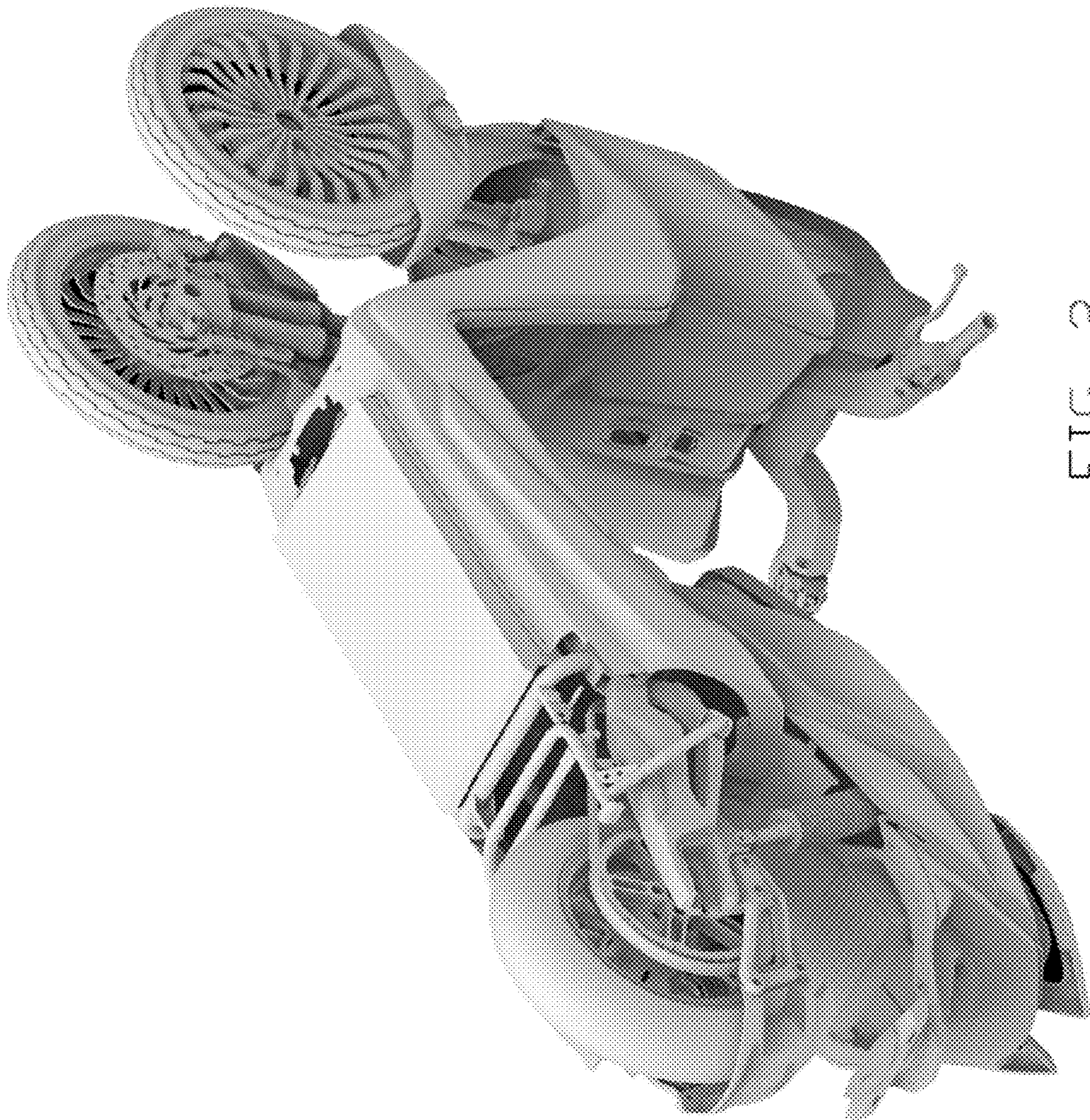


FIG. 2



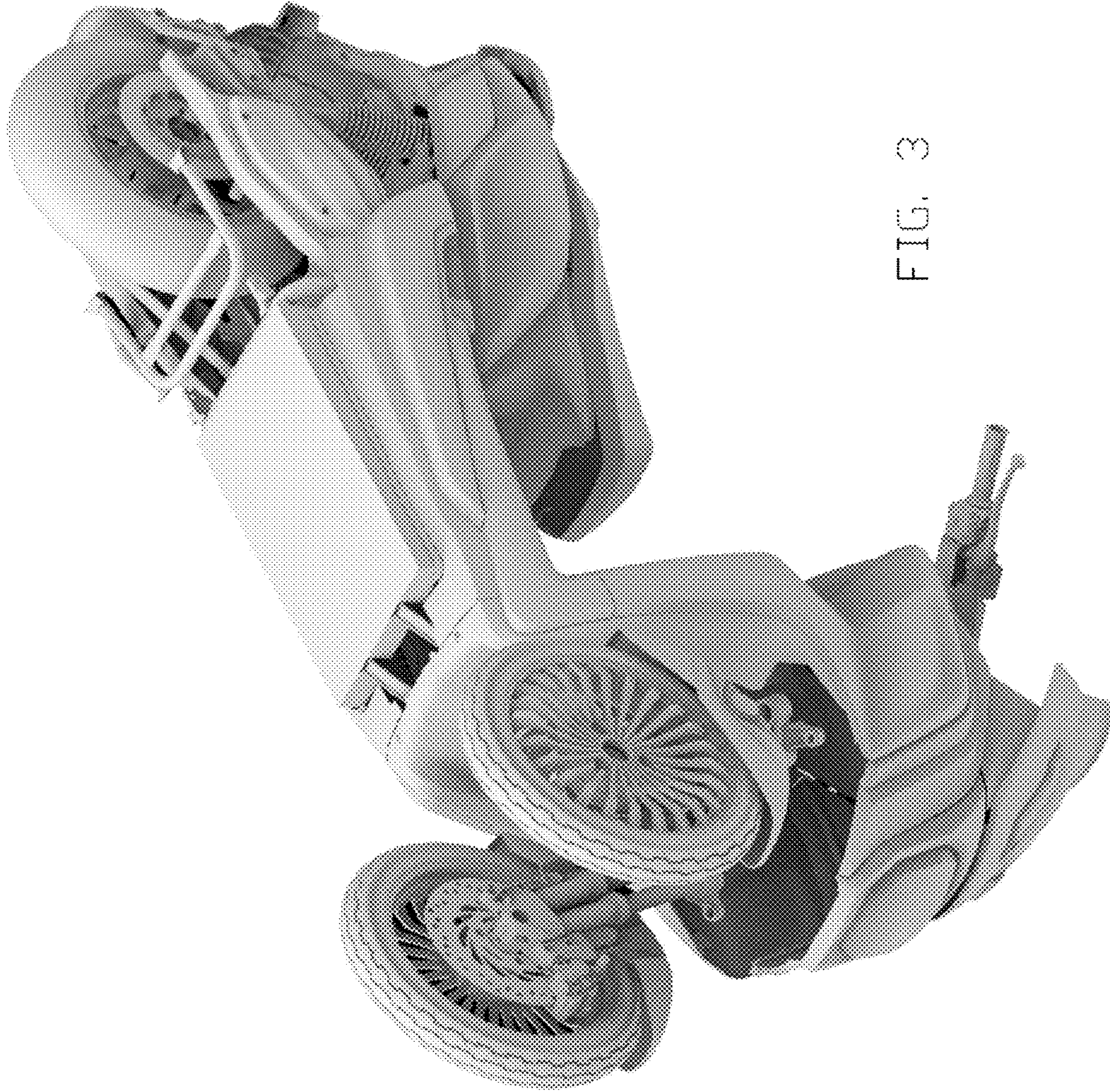


FIG. 3



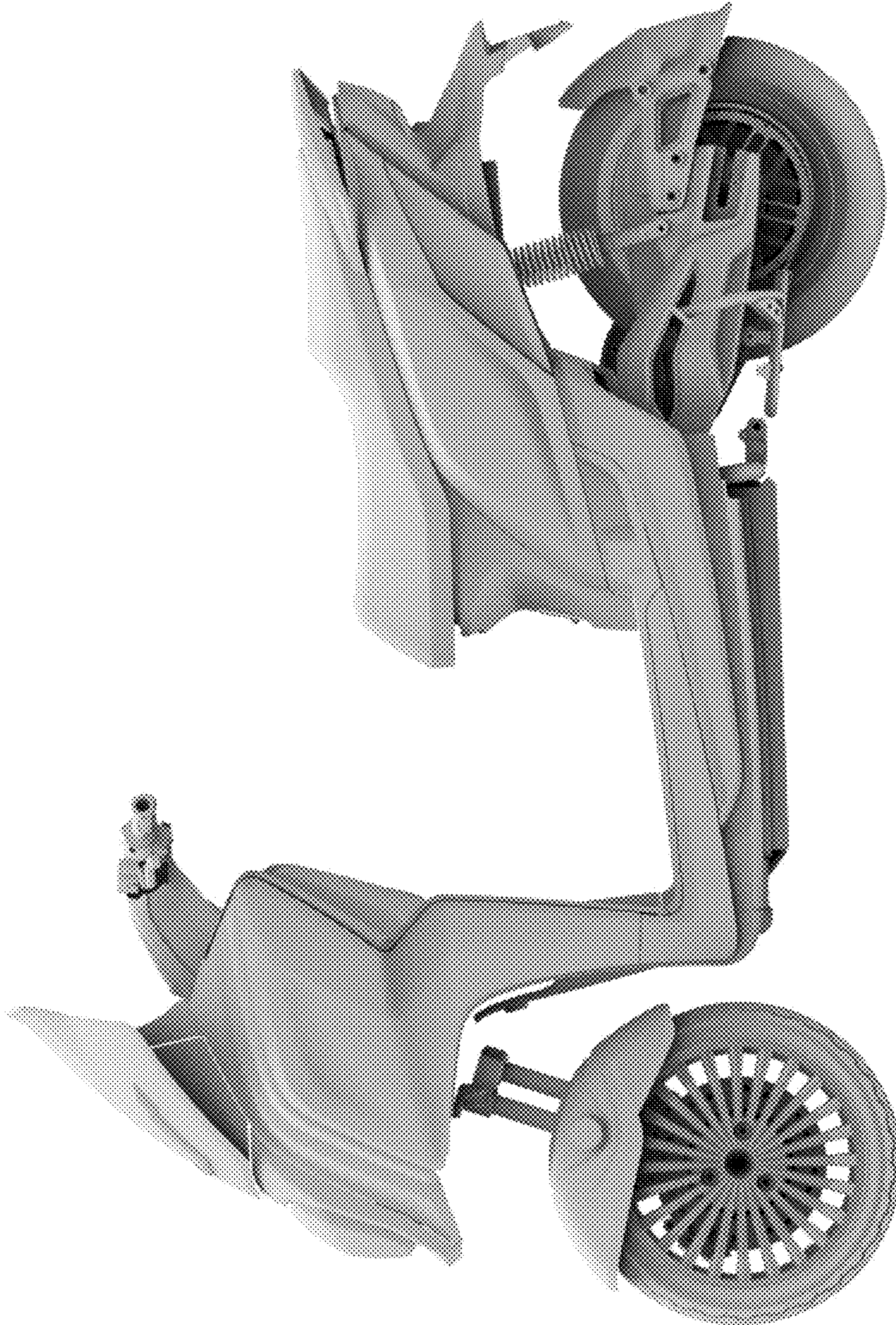


FIG. 4



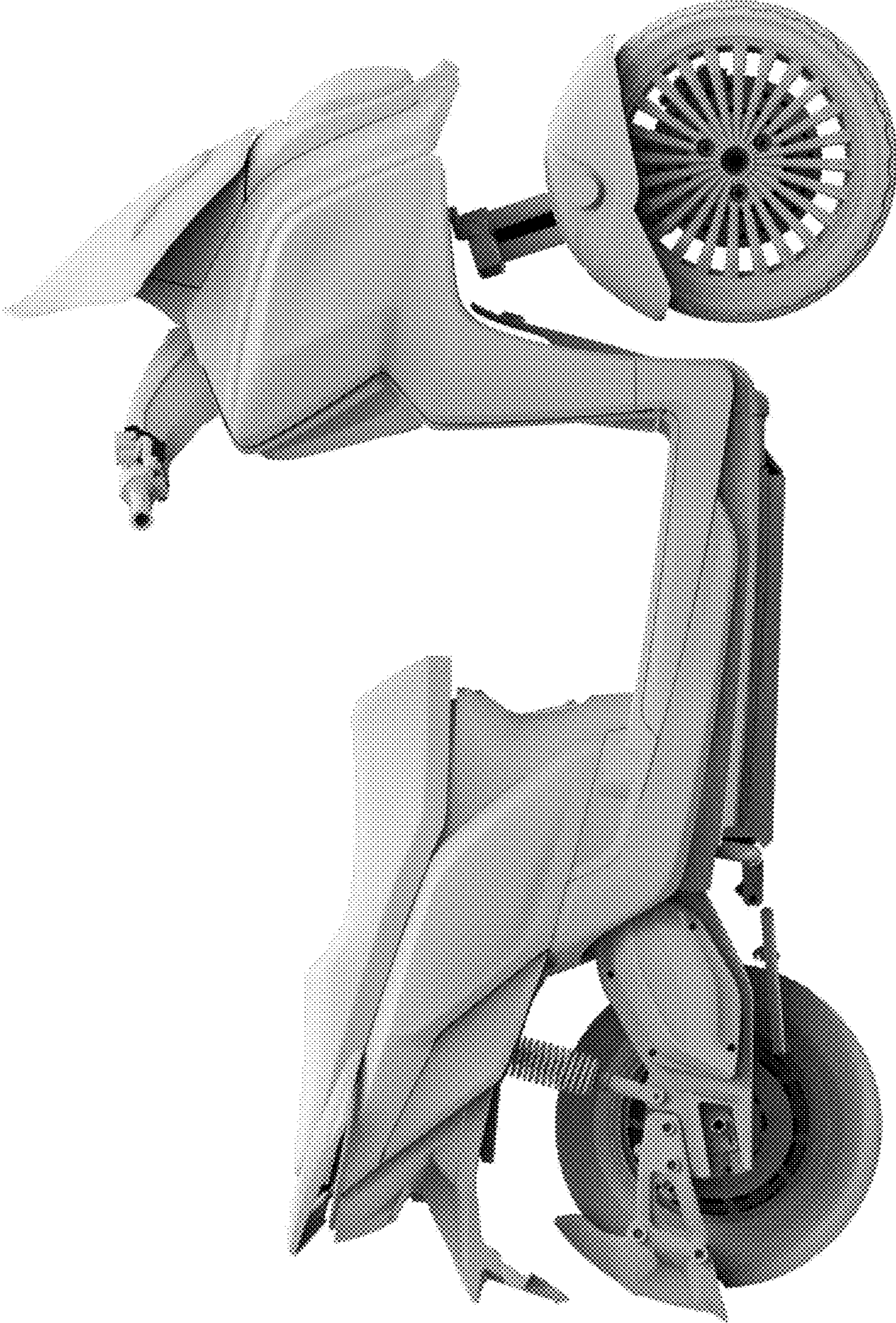


FIG. 5



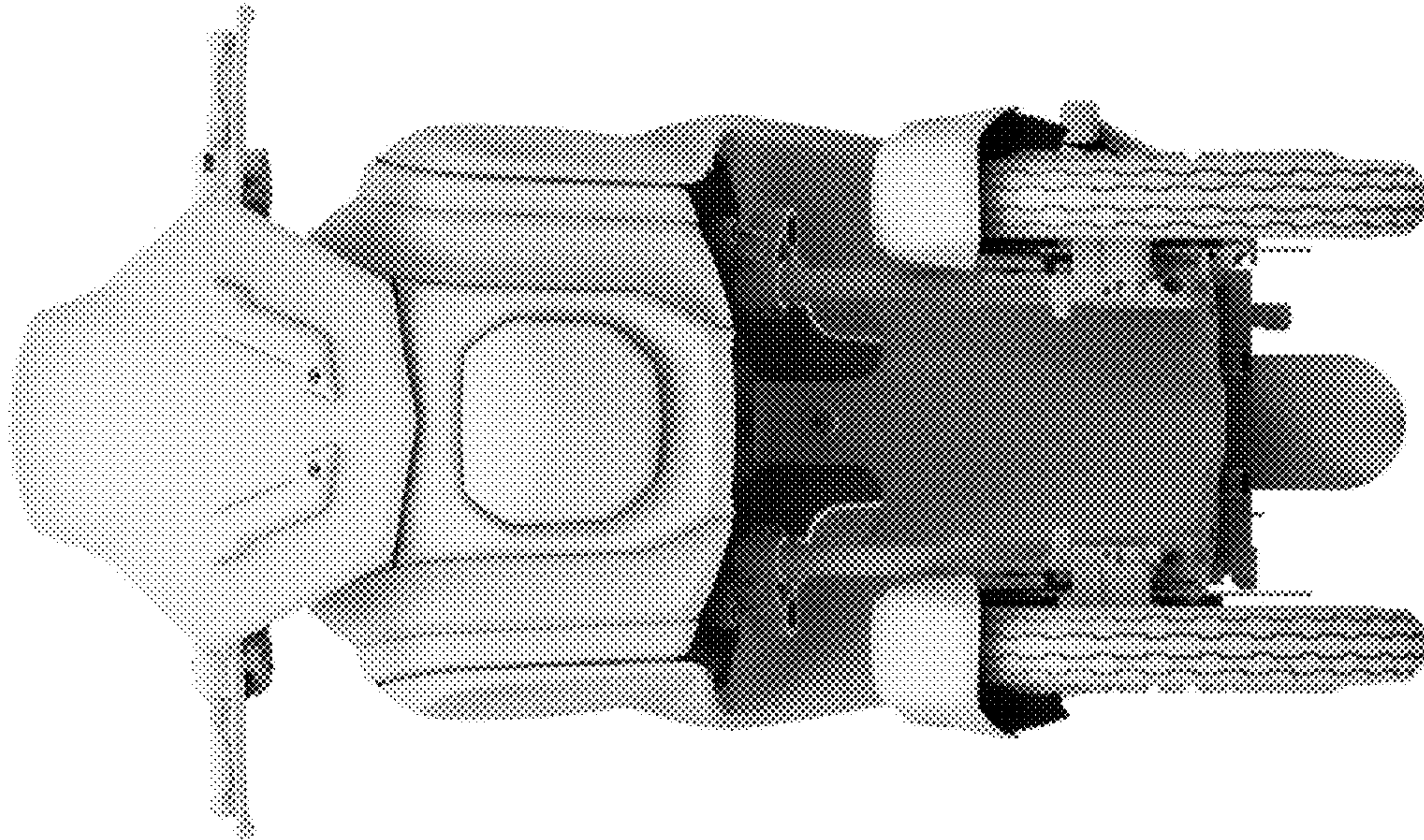


FIG. 6

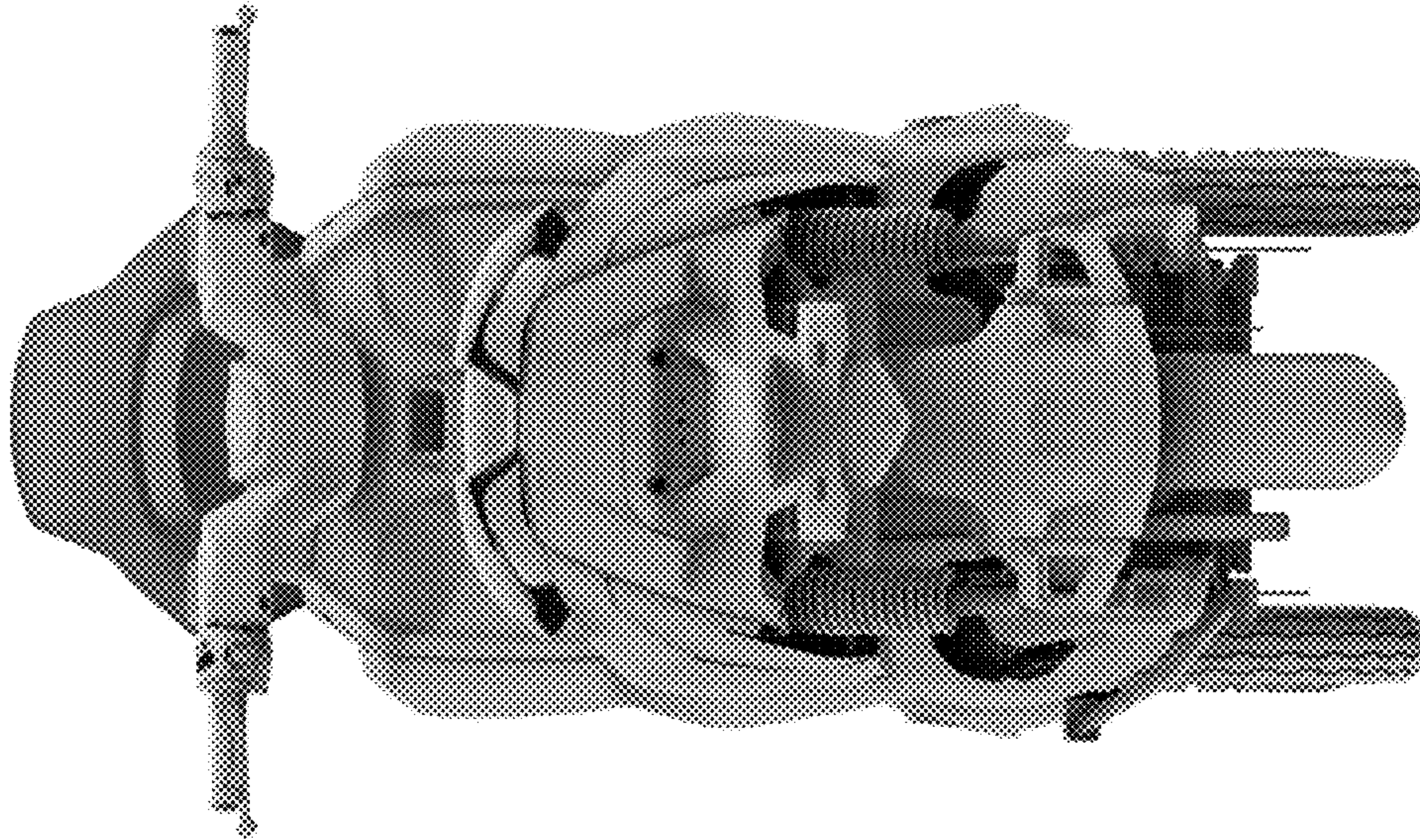


FIG. 7



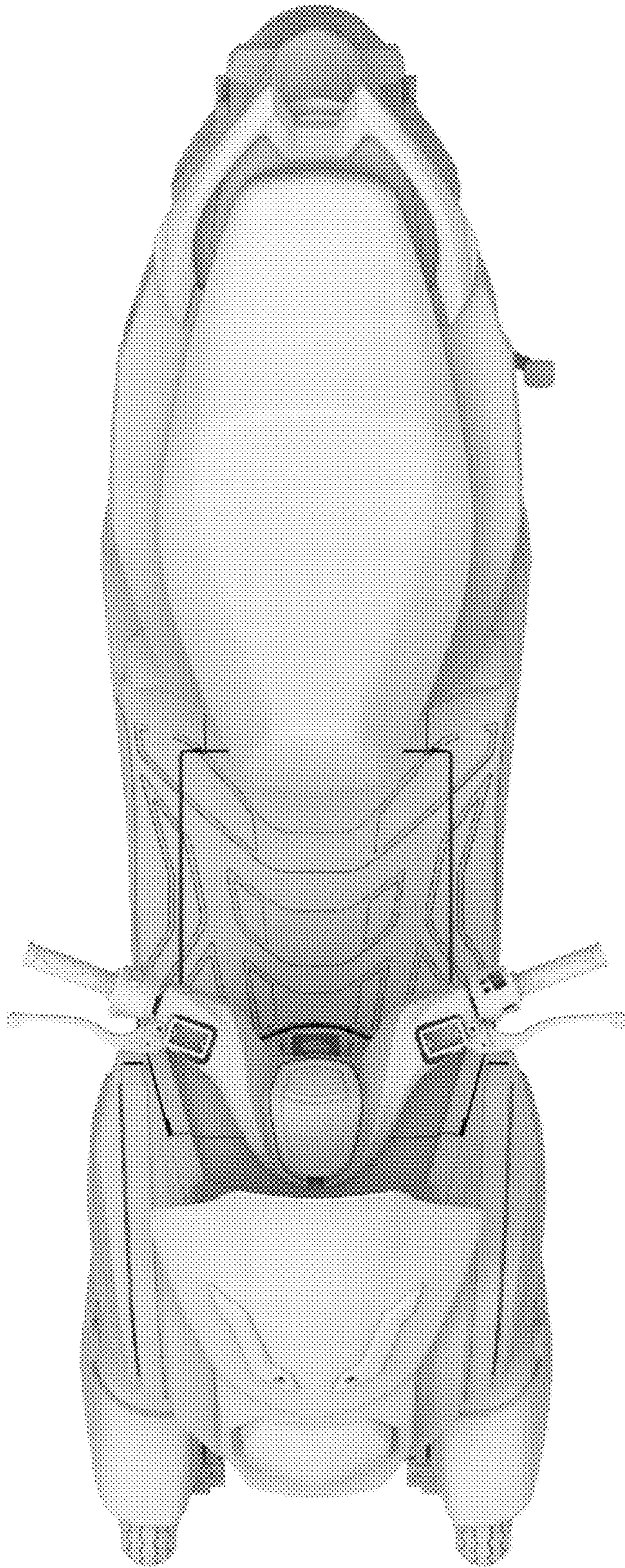


FIG. 8



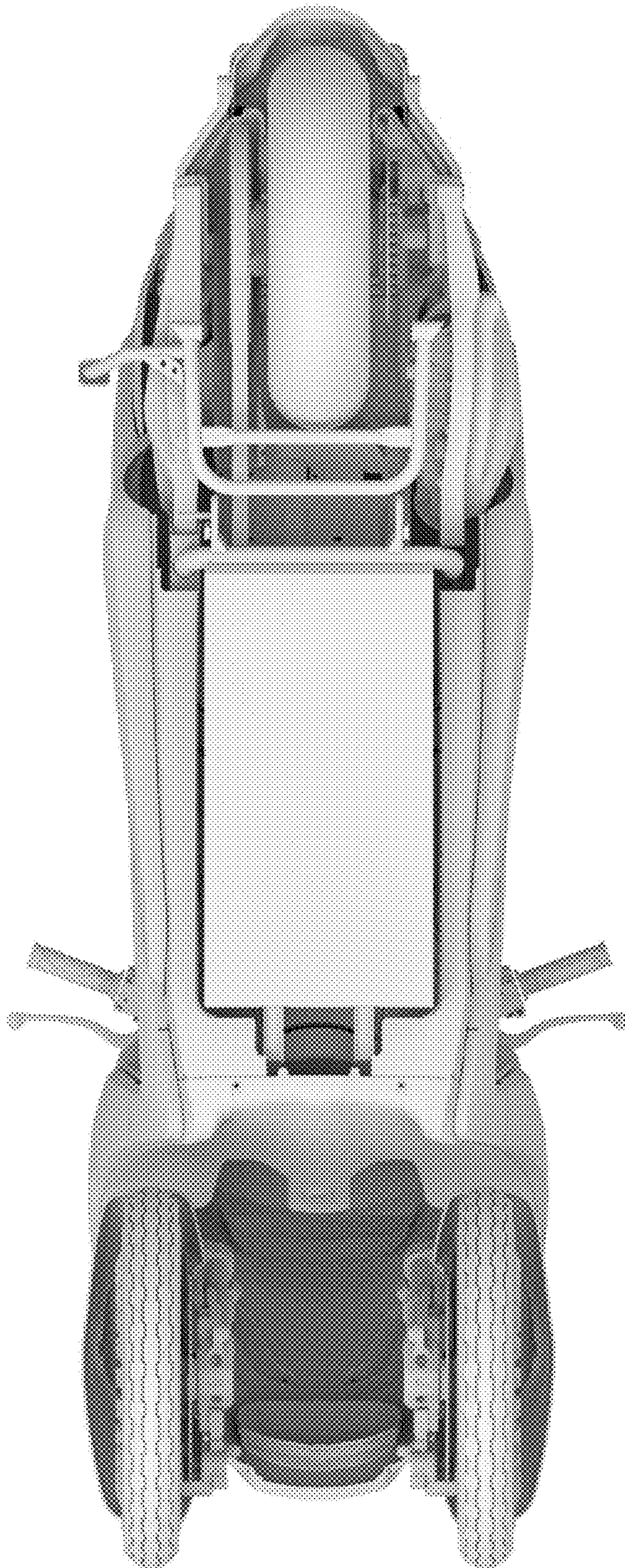


FIG. 9