



US00D927361S

(12) **United States Design Patent**  
**Rizzio**

(10) **Patent No.:** **US D927,361 S**

(45) **Date of Patent:** **\*\* Aug. 10, 2021**

(54) **TRAVEL TRAILER**  
(71) Applicant: **Chinook Motor Coach, LLC**, Elkhart,  
IN (US)  
(72) Inventor: **Phil Rizzio**, Las Vegas, NV (US)  
(\*\*) Term: **15 Years**

D868,633 S \* 12/2019 Krenelka ..... B60P 3/341  
D12/102  
D875,612 S \* 2/2020 Arter ..... B60P 3/341  
D12/102  
D888,616 S \* 6/2020 Brawley ..... B62B 17/04  
D12/102  
D910,873 S \* 2/2021 Babin ..... D25/16  
D915,946 S \* 4/2021 Amade ..... B60P 3/14  
D12/102

(21) Appl. No.: **29/729,557**

**OTHER PUBLICATIONS**

(22) Filed: **Mar. 27, 2020**

U.S. Appl. No. 29/664,976, filed Sep. 29, 2018.

(51) **LOC (13) Cl.** ..... **12-16**

\* cited by examiner

(52) **U.S. Cl.**

USPC ..... **D12/102**

(58) **Field of Classification Search**

USPC ..... D12/100–106, 19, 129, 111–112;  
D21/425, 435; D34/21–26, 12, 16–19  
CPC .. B62D 35/00; B62D 33/077; B62D 33/0612;  
B62D 24/04; B60P 3/10; B60P 3/1033;  
B60P 3/0257; B60P 3/38; B60P 3/34;  
E01F 15/14

*Primary Examiner* — Katrina A Betton

(74) *Attorney, Agent, or Firm* — Dickinson Wright, PLLC

(57) **CLAIM**

The ornamental design for a travel trailer, as shown and described.

See application file for complete search history.

**DESCRIPTION**

FIG. 1 is a front perspective view of the travel trailer, showing our new design;

FIG. 2 is a rear perspective view of the travel trailer;

FIG. 3 is a front view of the travel trailer;

FIG. 4 is a rear view of the travel trailer;

FIG. 5 is a right side view of the travel trailer;

FIG. 6 is left side view of the travel trailer; and,

FIG. 7 is top view of the travel trailer.

The broken lines in the drawings illustrate portions of the travel trailer that form no part of the claimed design.

(56) **References Cited**

**U.S. PATENT DOCUMENTS**

D182,526 S \* 4/1958 Lewis ..... D12/103  
D617,685 S \* 6/2010 Rodabaugh ..... D12/103  
D707,591 S \* 6/2014 Sands ..... D12/103  
D833,915 S \* 11/2018 Tatro ..... D12/103  
D850,980 S \* 6/2019 Griffin ..... D12/93  
D854,453 S \* 7/2019 Roberts ..... D12/103  
D864,036 S \* 10/2019 Hill ..... D12/103  
D864,791 S \* 10/2019 Roberts ..... D12/103

**1 Claim, 6 Drawing Sheets**

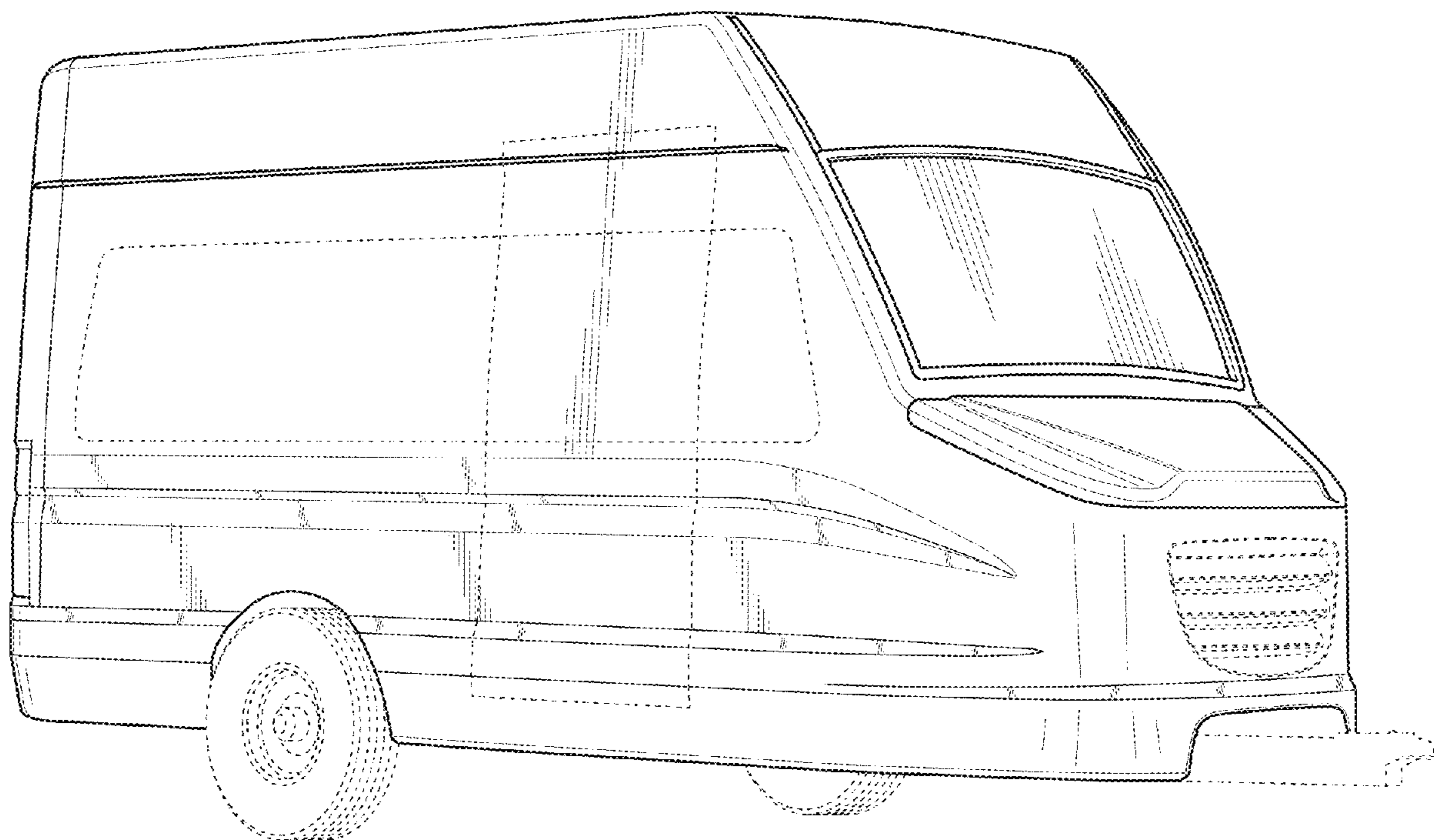


FIG. 1

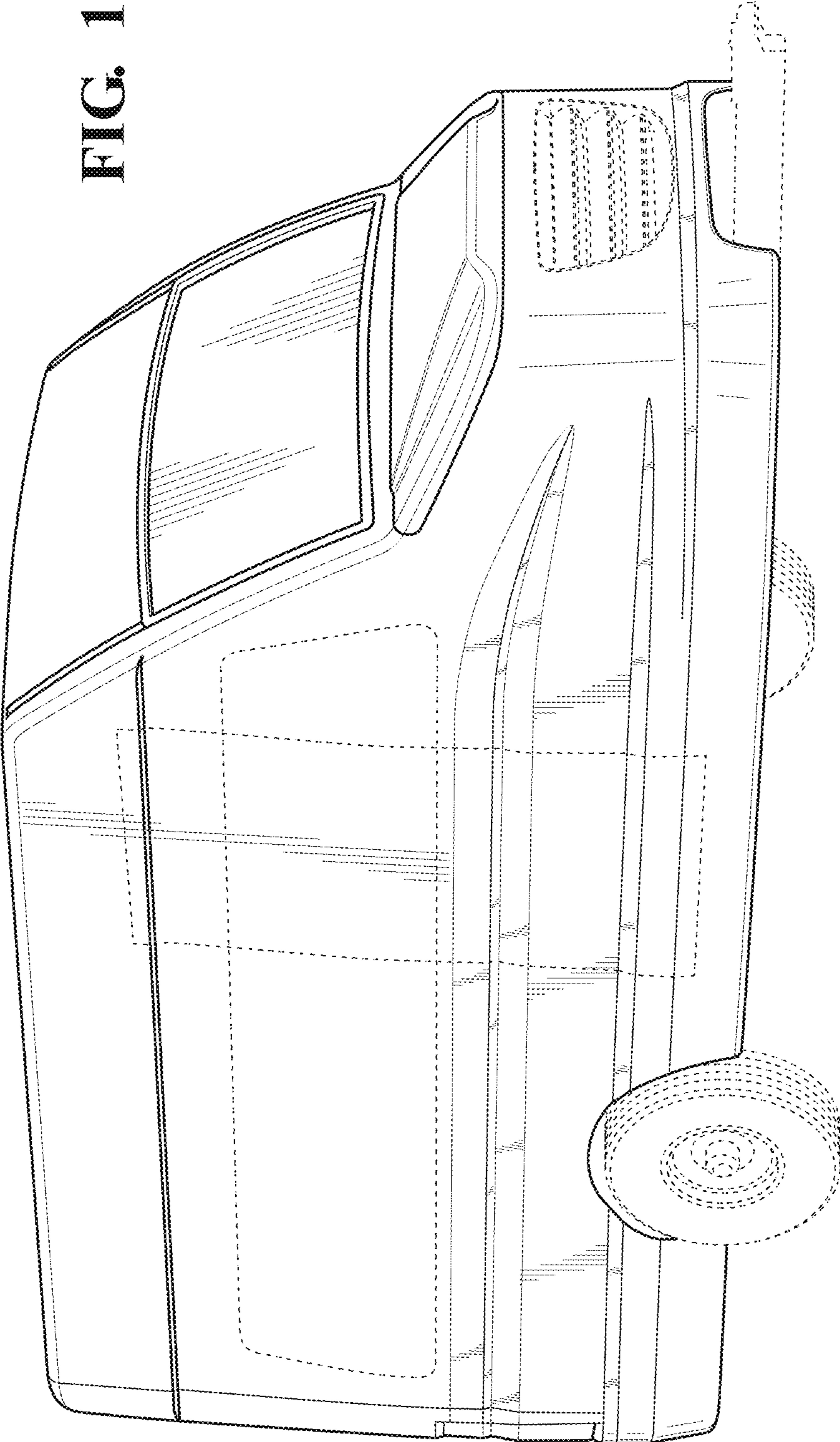
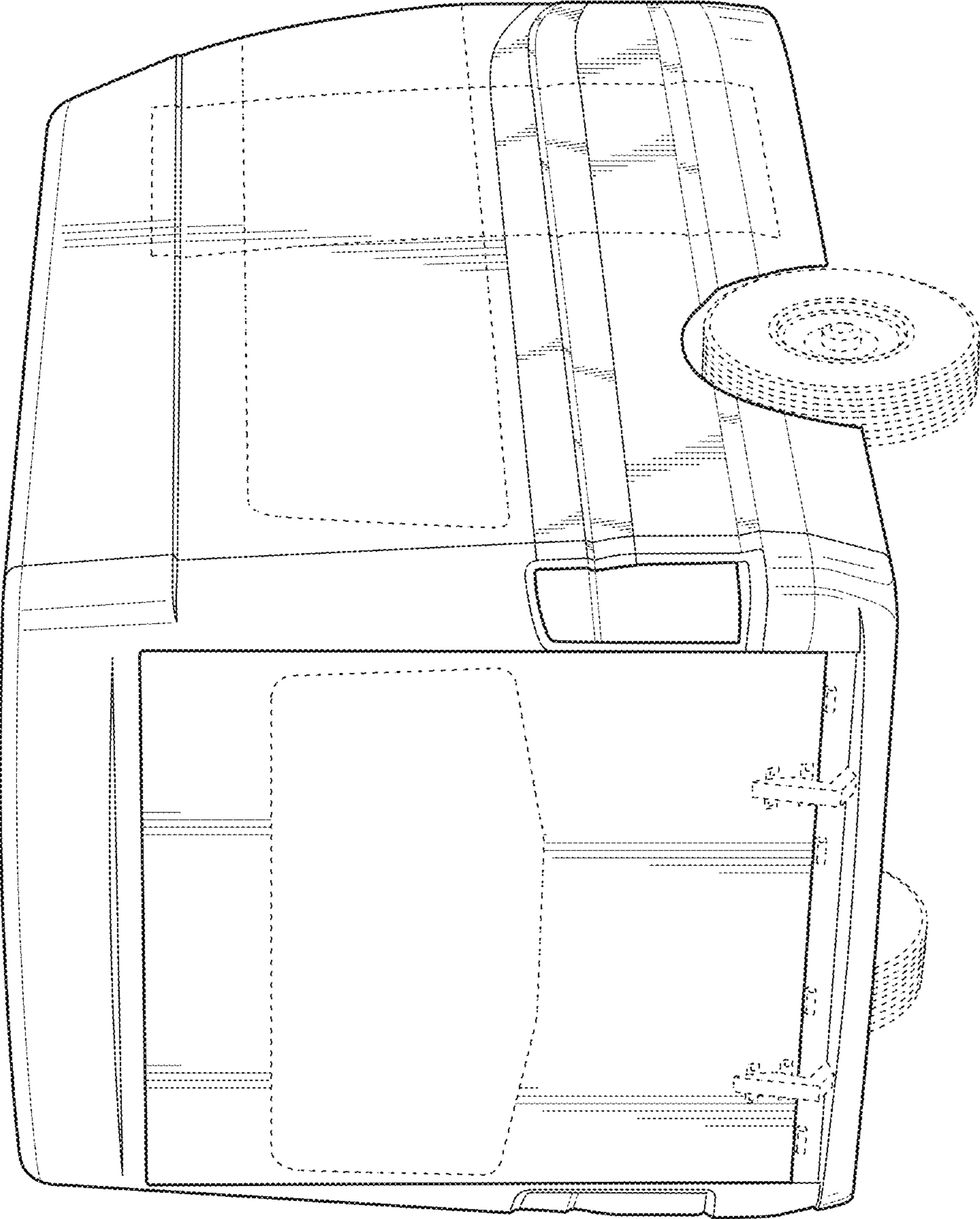


FIG. 2



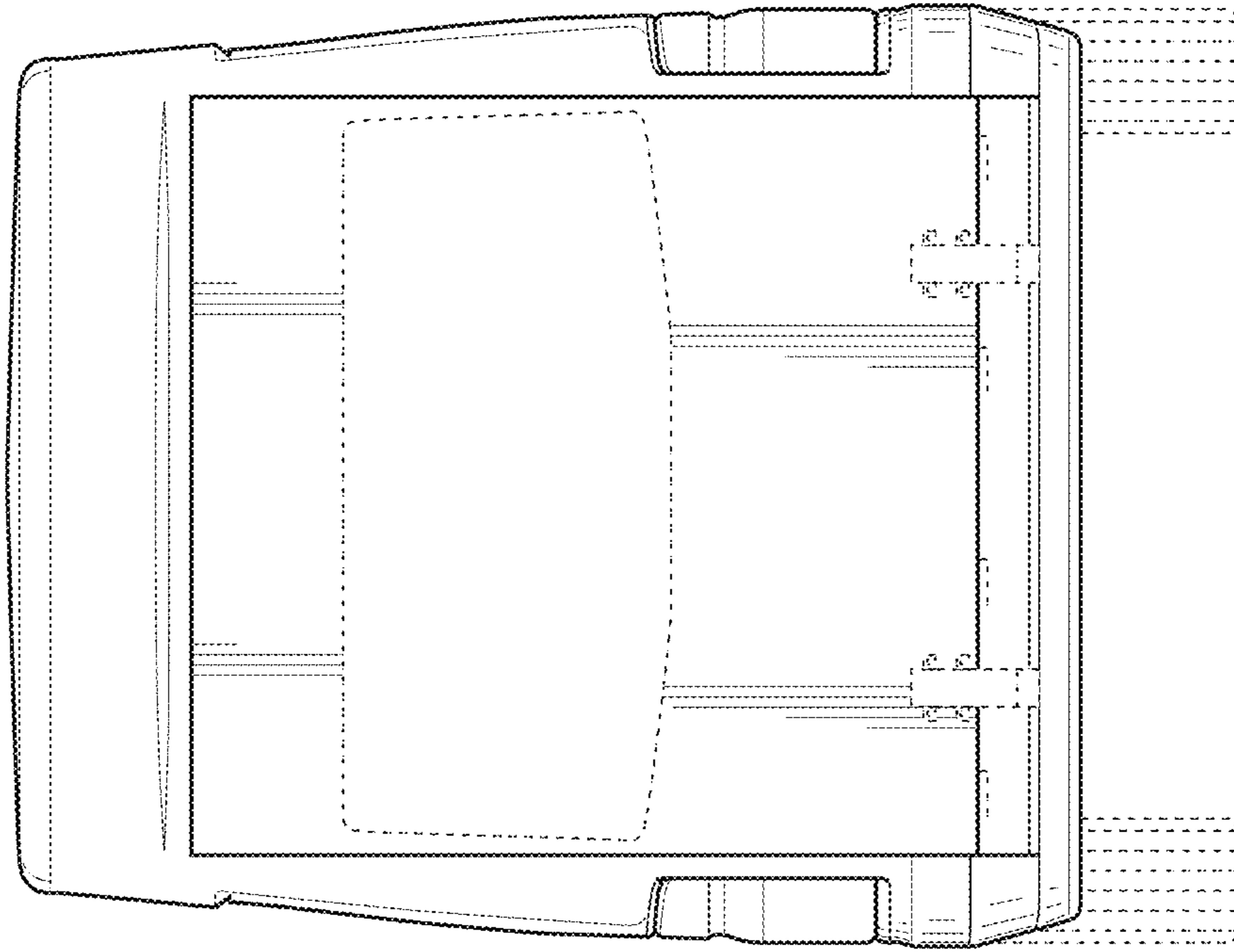


FIG. 4

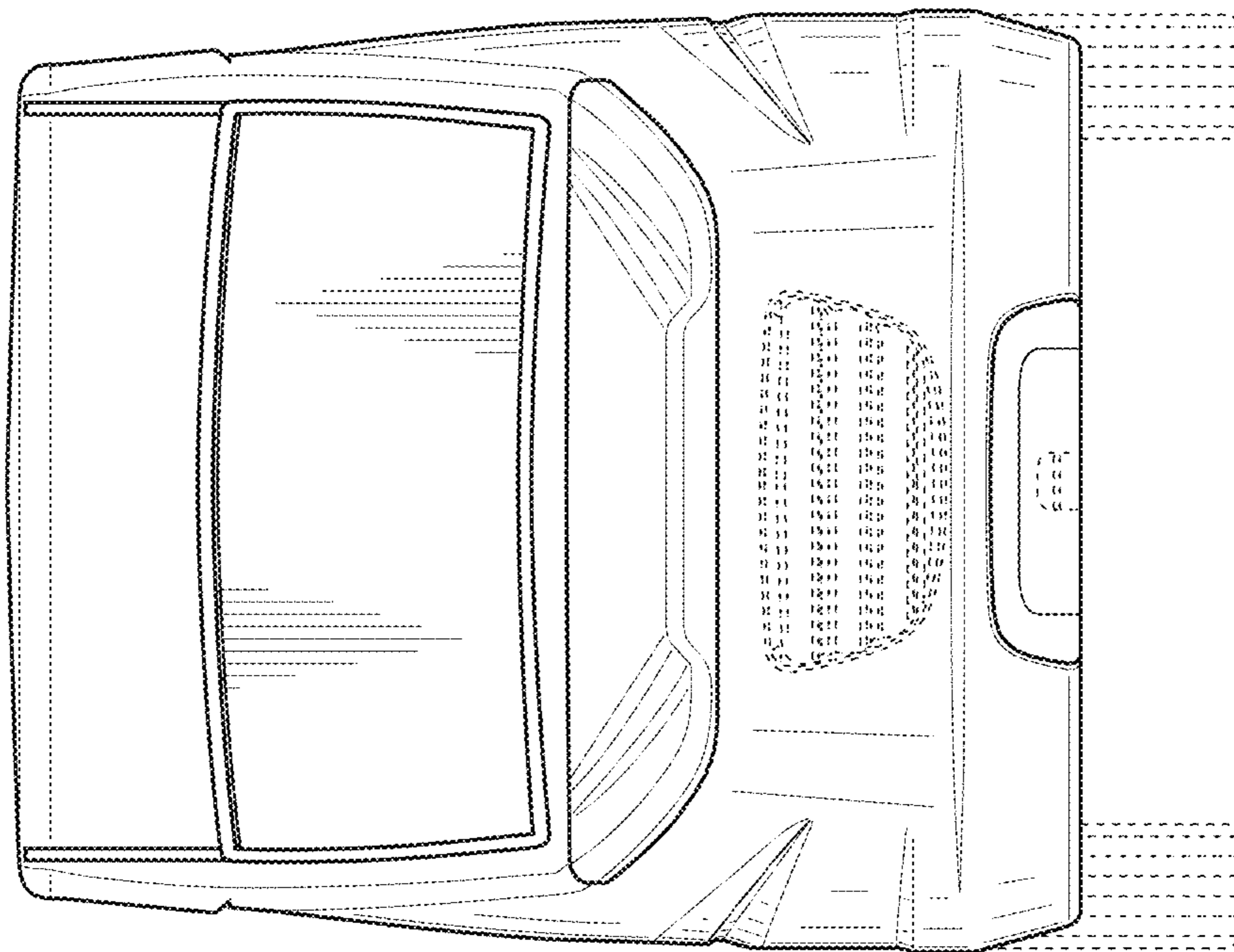


FIG. 3

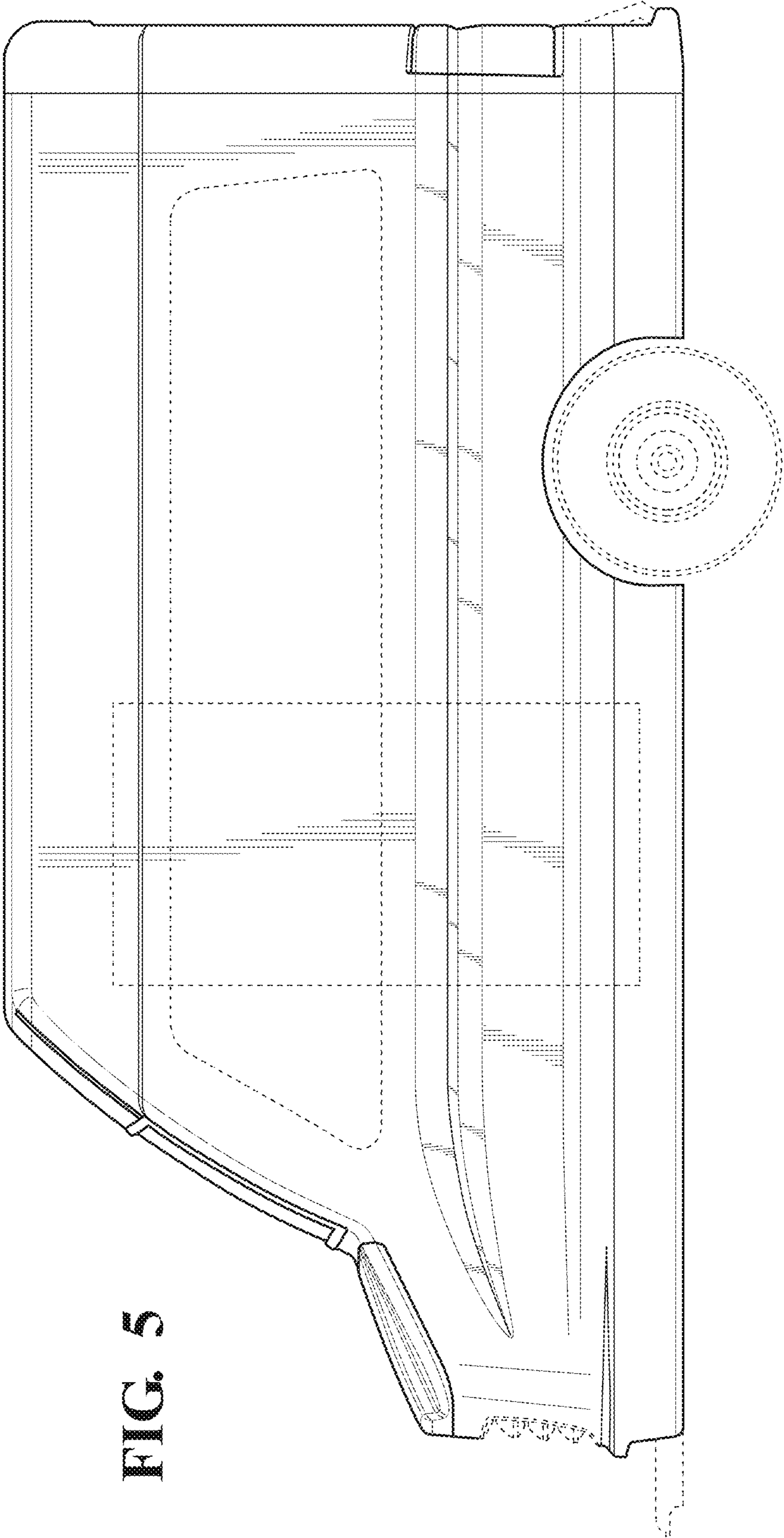
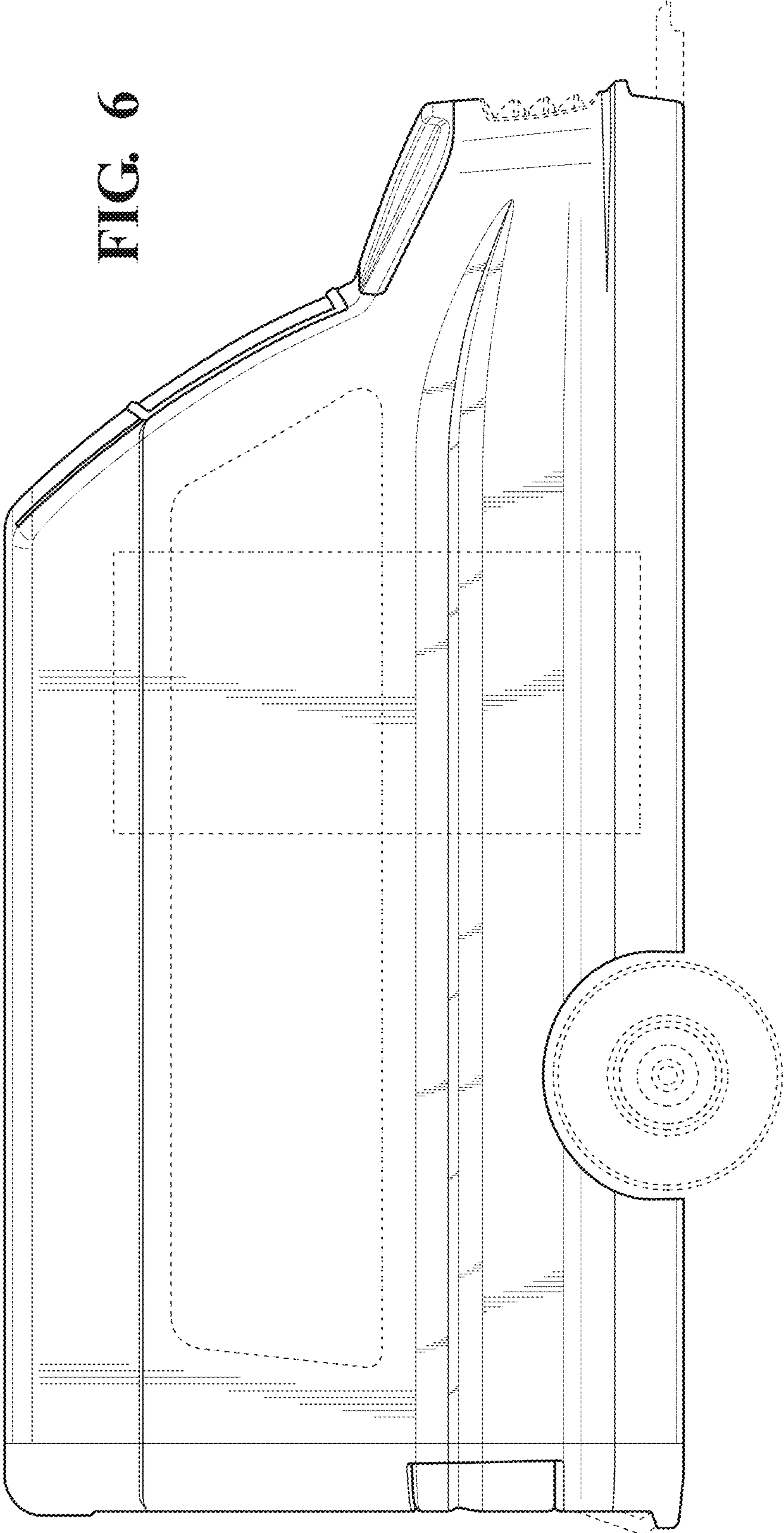


FIG. 5

FIG. 6



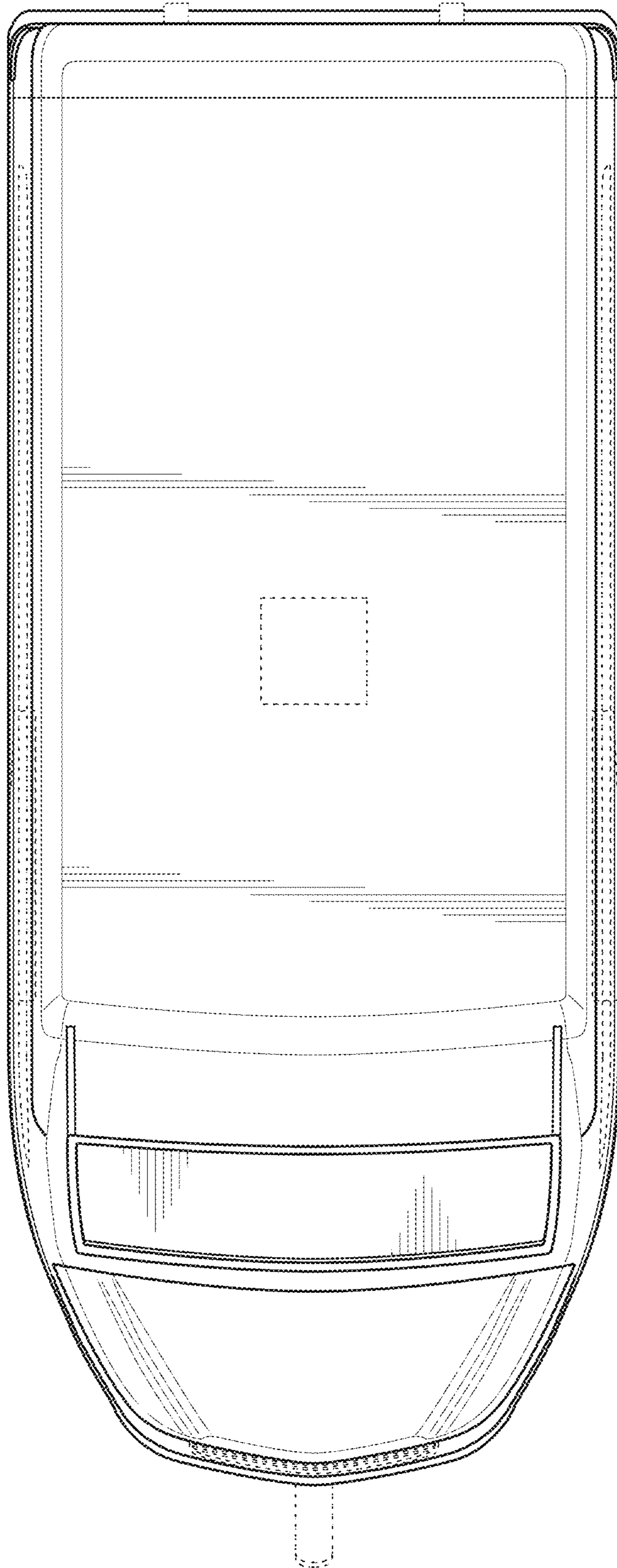


FIG. 7