



US00D927358S

(12) **United States Design Patent** (10) **Patent No.:** **US D927,358 S**
Lai (45) **Date of Patent:** **** Aug. 10, 2021**

(54) **AUTOMOBILE**

(71) Applicant: **Ping Pinky Lai**, Hong Kong (CN)

(72) Inventor: **Ping Pinky Lai**, Hong Kong (CN)

(**) Term: **15 Years**

(21) Appl. No.: **35/508,646**

(22) Filed: **Oct. 7, 2019**

(80) **Hague Agreement Data**

Int. Filing Date: **Oct. 7, 2019**

Int. Reg. No.: **DM/205826**

Int. Reg. Date: **Oct. 7, 2019**

Int. Reg. Pub. Date: **Feb. 14, 2020**

(51) **LOC (13) Cl.** **12-08**

(52) **U.S. Cl.**
USPC **D12/92**

(58) **Field of Classification Search**
USPC D12/86, 88, 90-92, 184, 196; D21/424,
D21/433, 434, 533, 548
CPC B62D 25/00; B62D 25/02; B62D 25/06;
B62D 35/00; B62D 35/005; B60J 5/04
See application file for complete search history.

(56) **References Cited**

U.S. PATENT DOCUMENTS

D469,387 S * 1/2003 Ramaciotti D12/88
D625,664 S * 10/2010 Giugiaro D12/92

D710,260 S * 8/2014 Villarreal D12/92
D739,789 S * 9/2015 Payne D12/92
D784,204 S * 4/2017 Abdallah D12/92
D826,093 S * 8/2018 Manzoni D12/92
D834,998 S * 12/2018 Manzoni D12/88
D855,495 S * 8/2019 Glickenhau D12/91
D856,194 S * 8/2019 Saleen D12/92

* cited by examiner

Primary Examiner — George D. Kirschbaum

Assistant Examiner — Calvin E Vansant

(57) **CLAIM**

The ornamental design for an automobile, as shown and described.

DESCRIPTION

FIG. 1.1 is a top, right, front perspective view of an automobile;

FIG. 1.2 is a top, right, rear perspective view thereof;

FIG. 1.3 is a front elevation view thereof;

FIG. 1.4 is a rear elevation view thereof;

FIG. 1.5 is a left side view thereof;

FIG. 1.6 is a right side view thereof;

FIG. 1.7 is a top plan view thereof; and

FIG. 1.8 is a bottom view thereof.

Tyre parts in the reproductions are not part of the claimed design; and the broken lines in FIGS. 1.3 and 1.8 depict portions of the automobile that form no part of the claimed design.

1 Claim, 8 Drawing Sheets

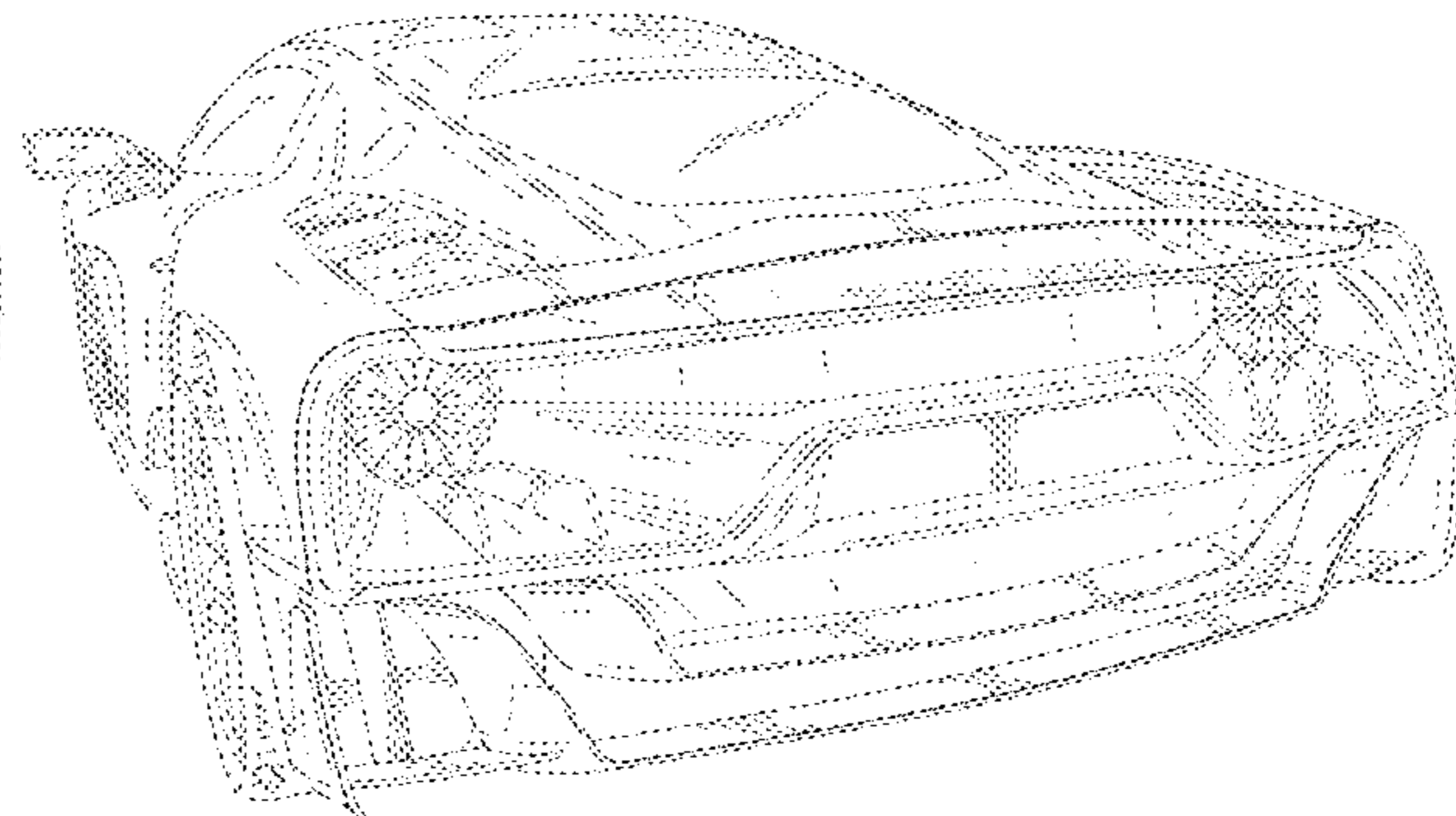
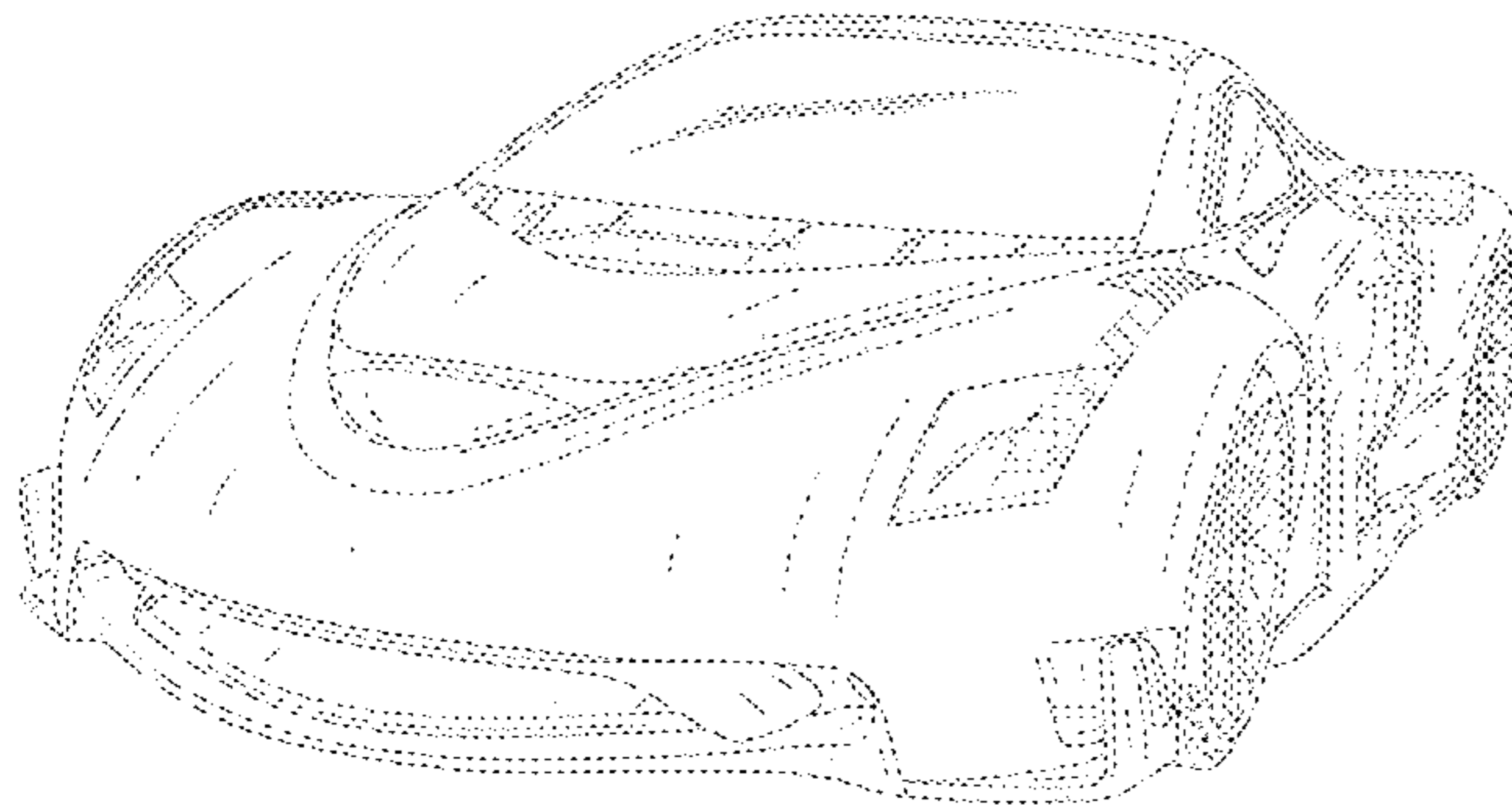


FIG. 1.1

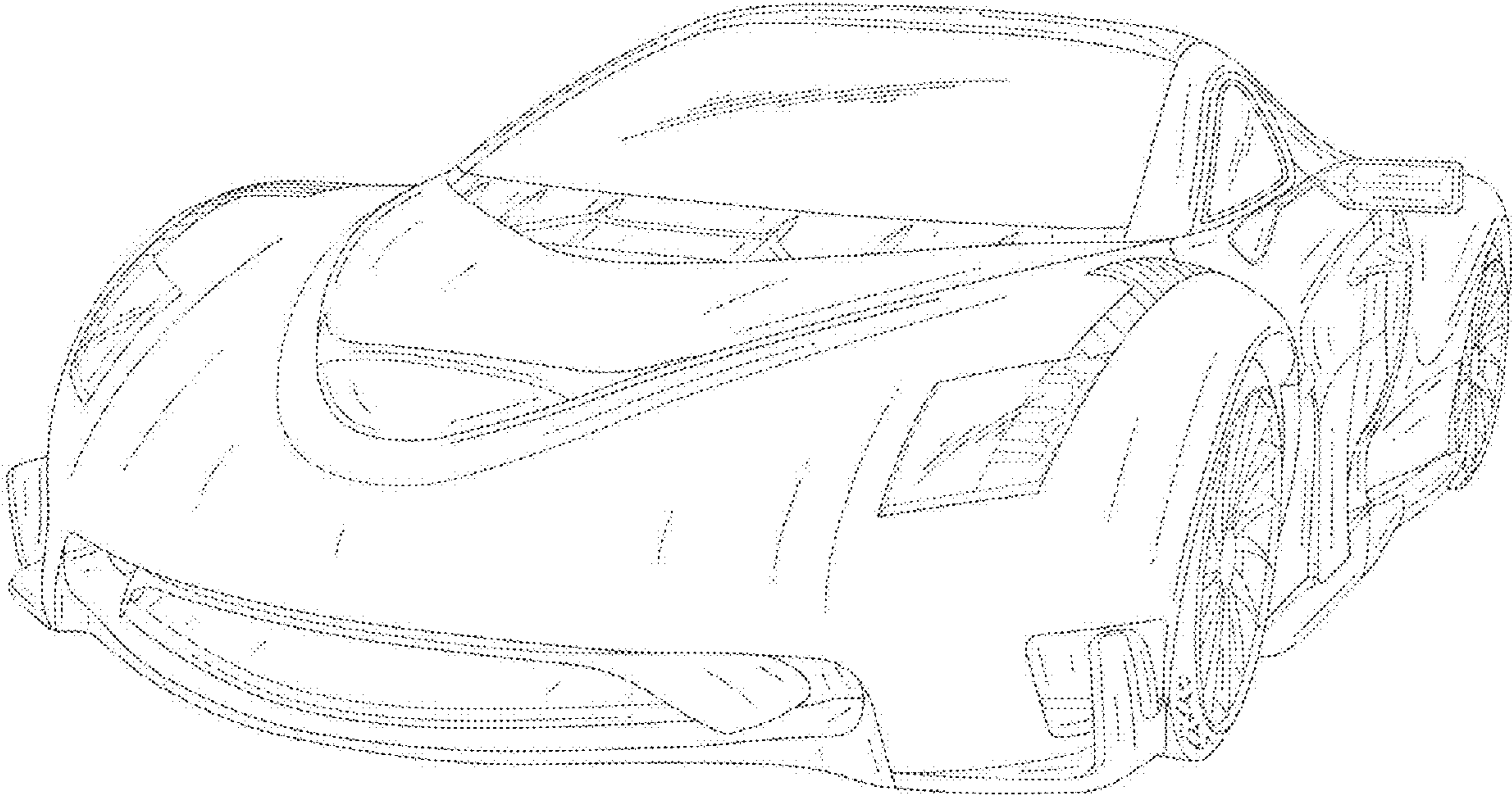


FIG. 1.2

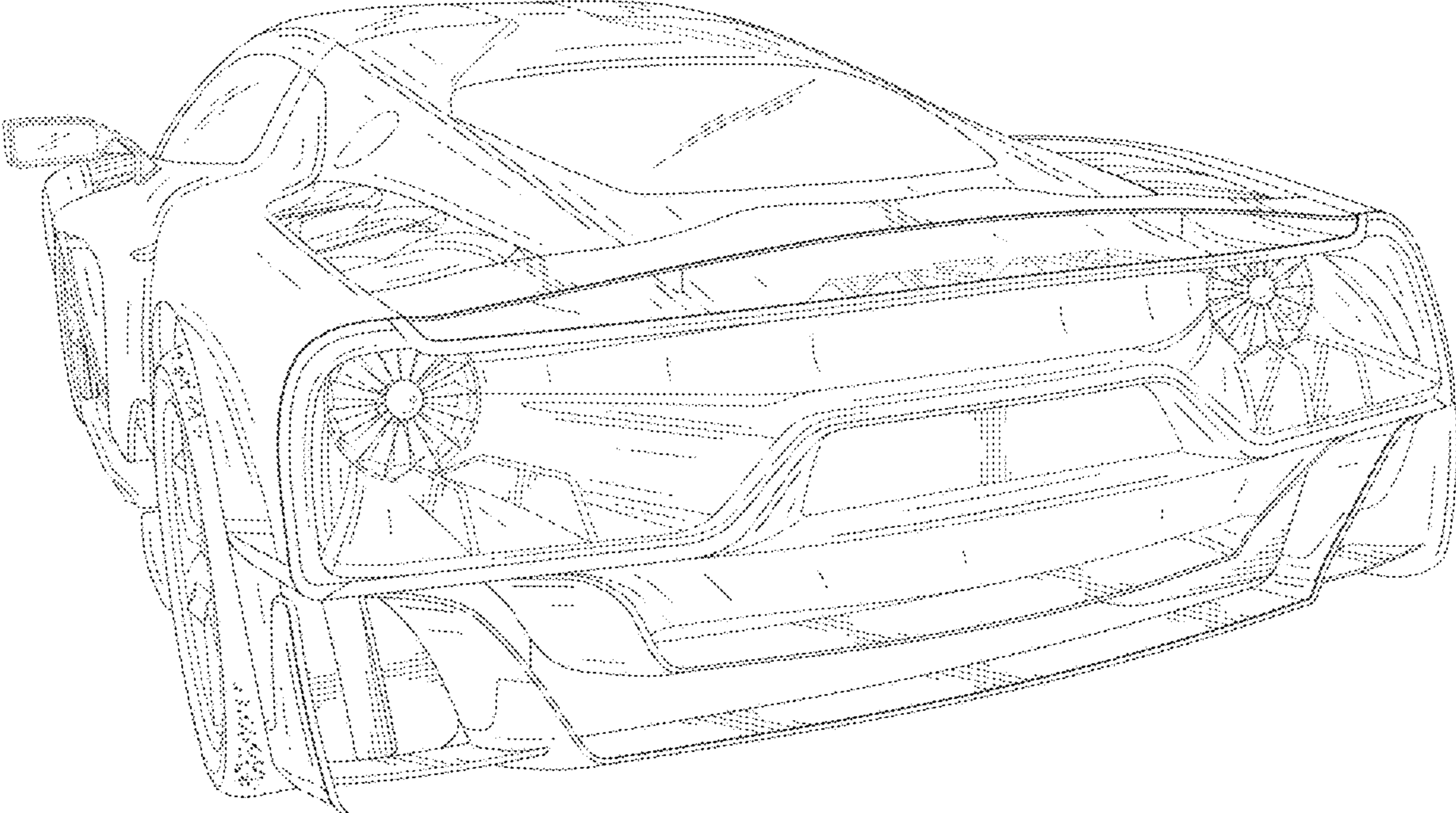


FIG. 1.3

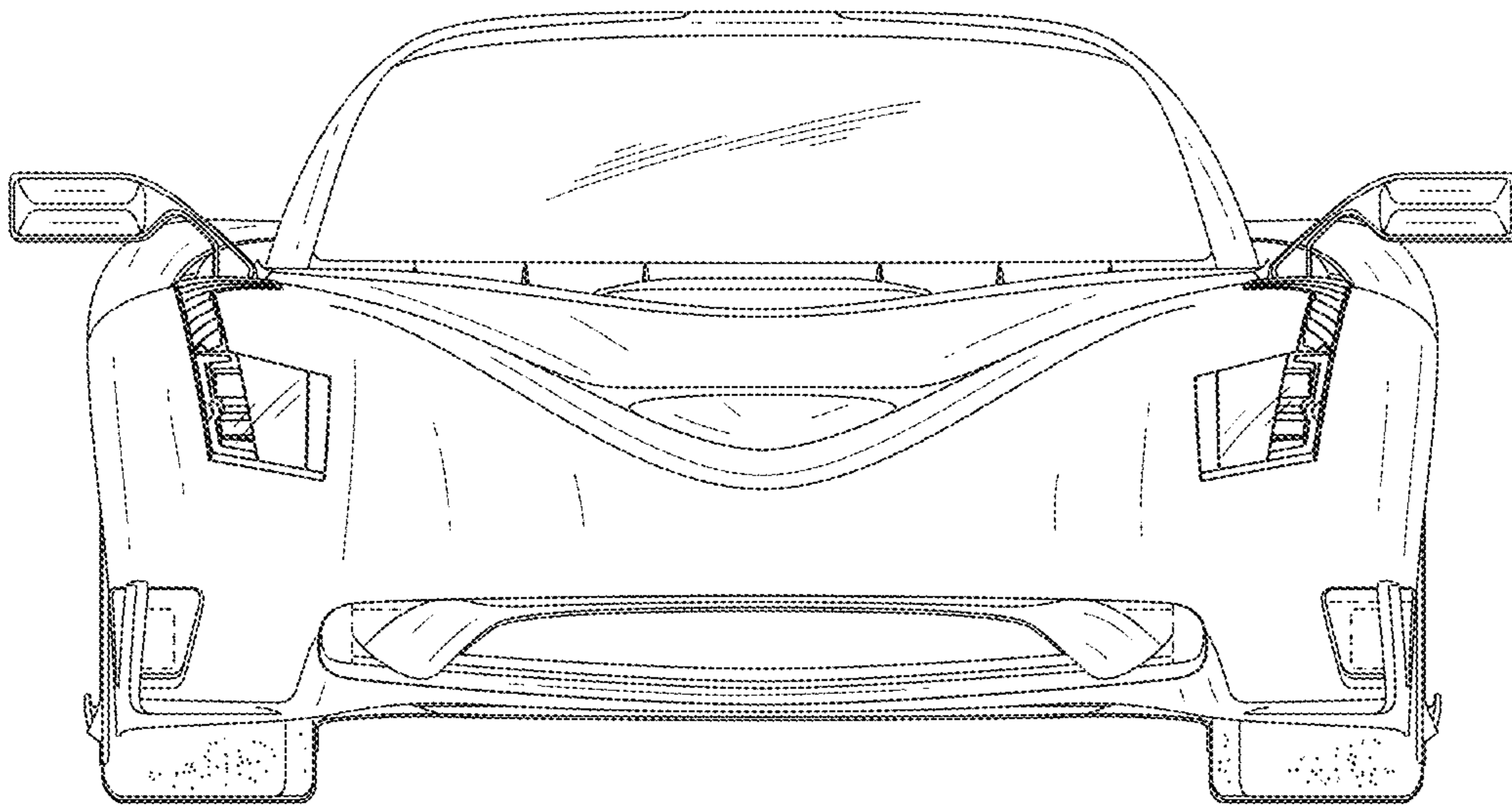


FIG. 1.4

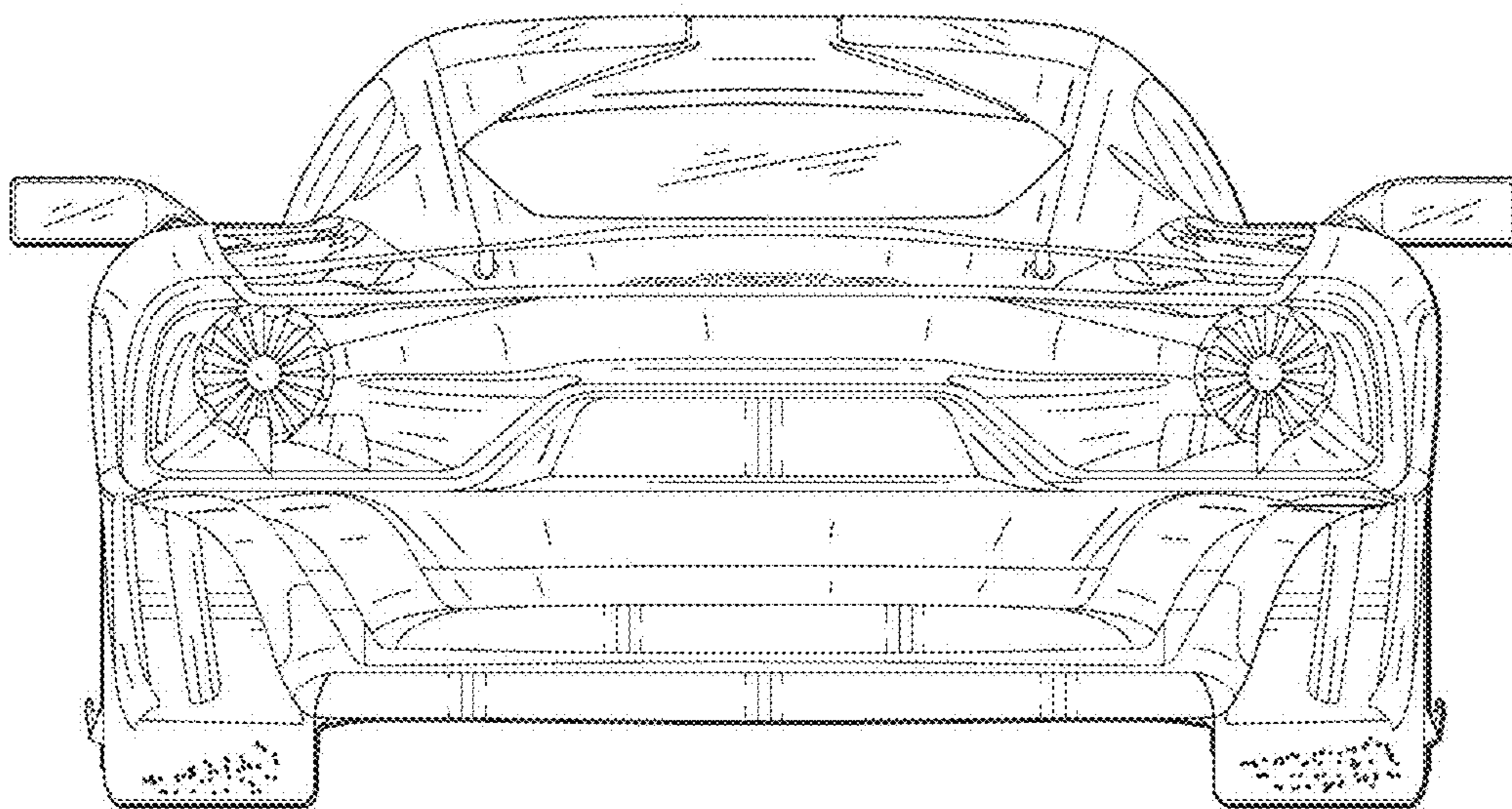


FIG. 1.5

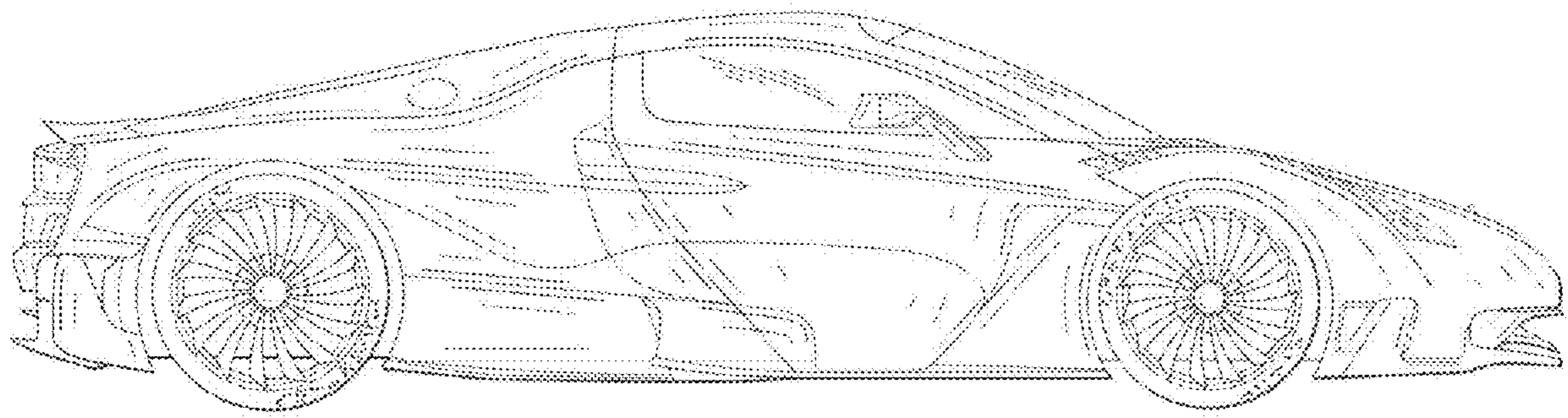


FIG. 1.6

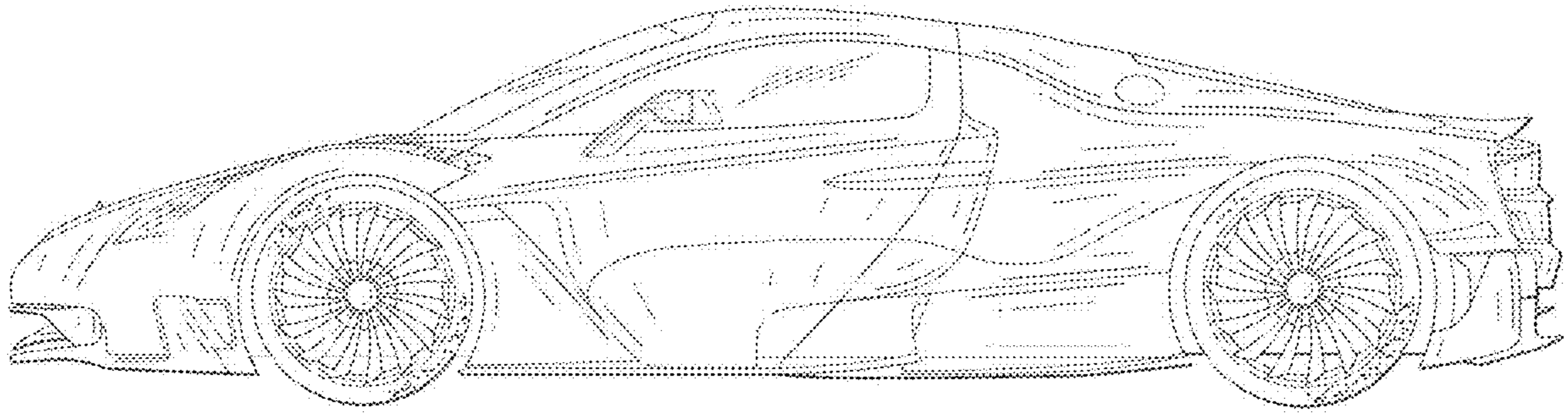


FIG. 1.7

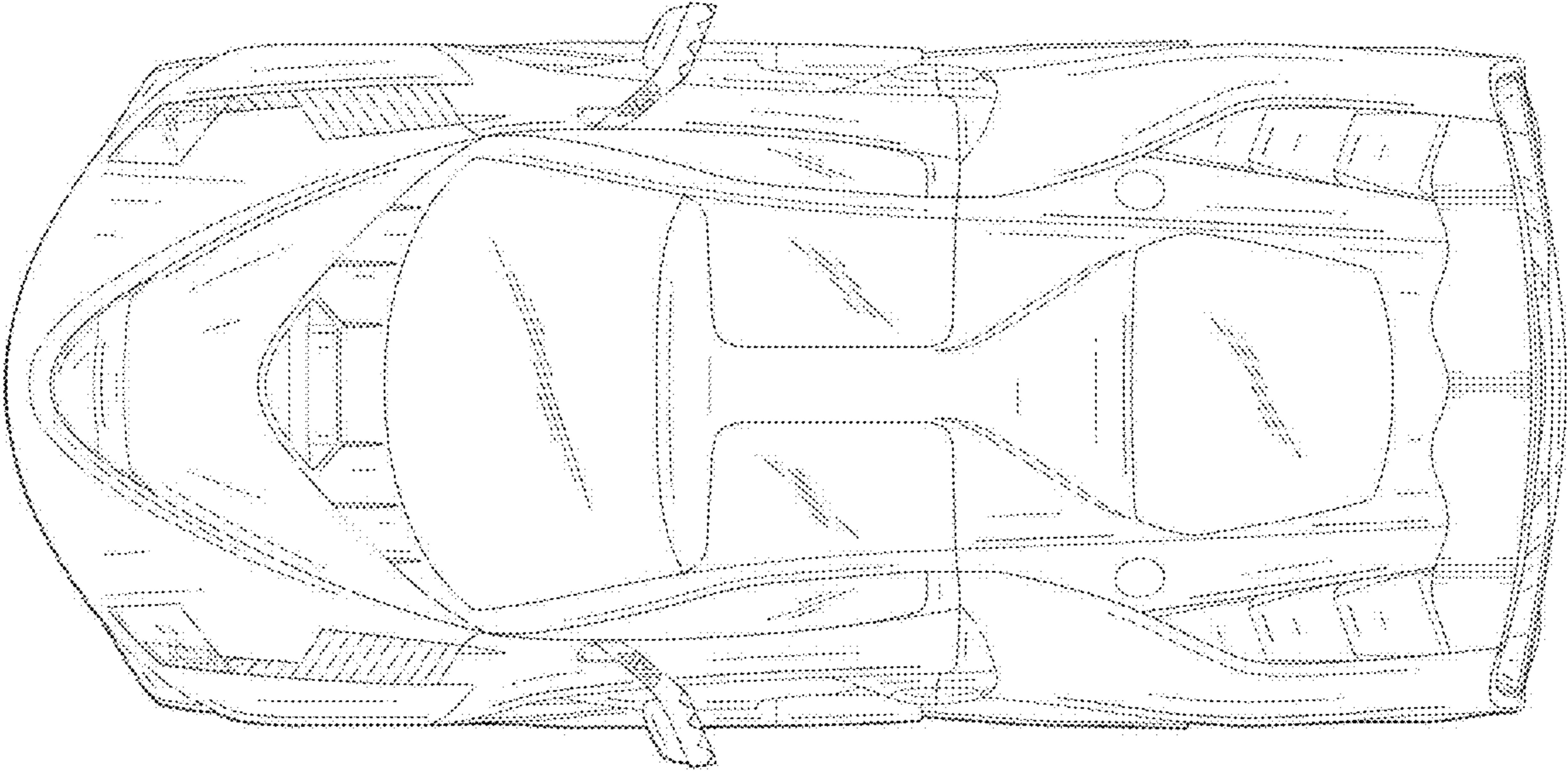


FIG. 1.8

