



US00D927355S

(12) **United States Design Patent** (10) **Patent No.:** **US D927,355 S**
Mikhailov (45) **Date of Patent:** **** Aug. 10, 2021**

(54) **OFF-ROAD VEHICLE BODY**

FOREIGN PATENT DOCUMENTS

(71) Applicant: **BOMBARDIER RECREATIONAL PRODUCTS INC., Valcourt (CA)**

EM 000946835-2 6/2008
EM 003396324-1 10/2016

(72) Inventor: **Alexei Mikhailov, Bromont (CA)**

OTHER PUBLICATIONS

(73) Assignee: **BOMBARDIER RECREATIONAL PRODUCTS INC., Valcourt (CA)**

Bibliographic data of Indian Design No. 259730; retrieved from <https://www.tmdn.org/tmdsview-web/welcome> on Sep. 26, 2018.

(Continued)

(**) Term: **15 Years**

Primary Examiner — Darlington Ly

(21) Appl. No.: **29/710,010**

(74) *Attorney, Agent, or Firm* — BCF LLP

(22) Filed: **Oct. 18, 2019**

(57) **CLAIM**

Related U.S. Application Data

The ornamental design for an off-road vehicle body, as shown and described.

(60) Division of application No. 29/640,673, filed on Mar. 16, 2018, now Pat. No. Des. 868,629, which is a continuation-in-part of application No. 29/618,356, filed on Sep. 20, 2017, now abandoned.

DESCRIPTION

(51) **LOC (13) Cl.** **12-08**
(52) **U.S. Cl.**

USPC **D12/87**

(58) **Field of Classification Search**
USPC D12/3, 4, 5, 14, 85, 86, 87, 107, 110
CPC ... B62D 1/04; B62D 1/18; B62D 3/12; B62D 5/0403; B62D 21/11; B62D 23/005; B60G 3/20; B60N 2/015; B60R 21/13
See application file for complete search history.

FIG. 1 is a right side elevation view of an off-road vehicle body according to my design shown on a vehicle shown in dotted lines;
FIG. 2 is a front elevation view thereof shown on the vehicle shown in dotted lines;
FIG. 3 is a left side elevation view thereof shown on the vehicle shown in dotted lines;
FIG. 4 is a rear elevation view thereof shown on the vehicle shown in dotted lines;
FIG. 5 is a top plan view thereof shown on the vehicle shown in dotted lines;
FIG. 6 is a bottom plan view thereof shown on the vehicle shown in dotted lines;
FIG. 7 is a perspective view taken from a front, right side thereof shown on the vehicle shown in dotted lines; and,
FIG. 8 is a perspective view taken from a rear, left side thereof shown on the vehicle shown in dotted lines.
The broken lines showing portions of the vehicle are provided for the purpose of illustrating environmental structure and form no part of the claimed design.

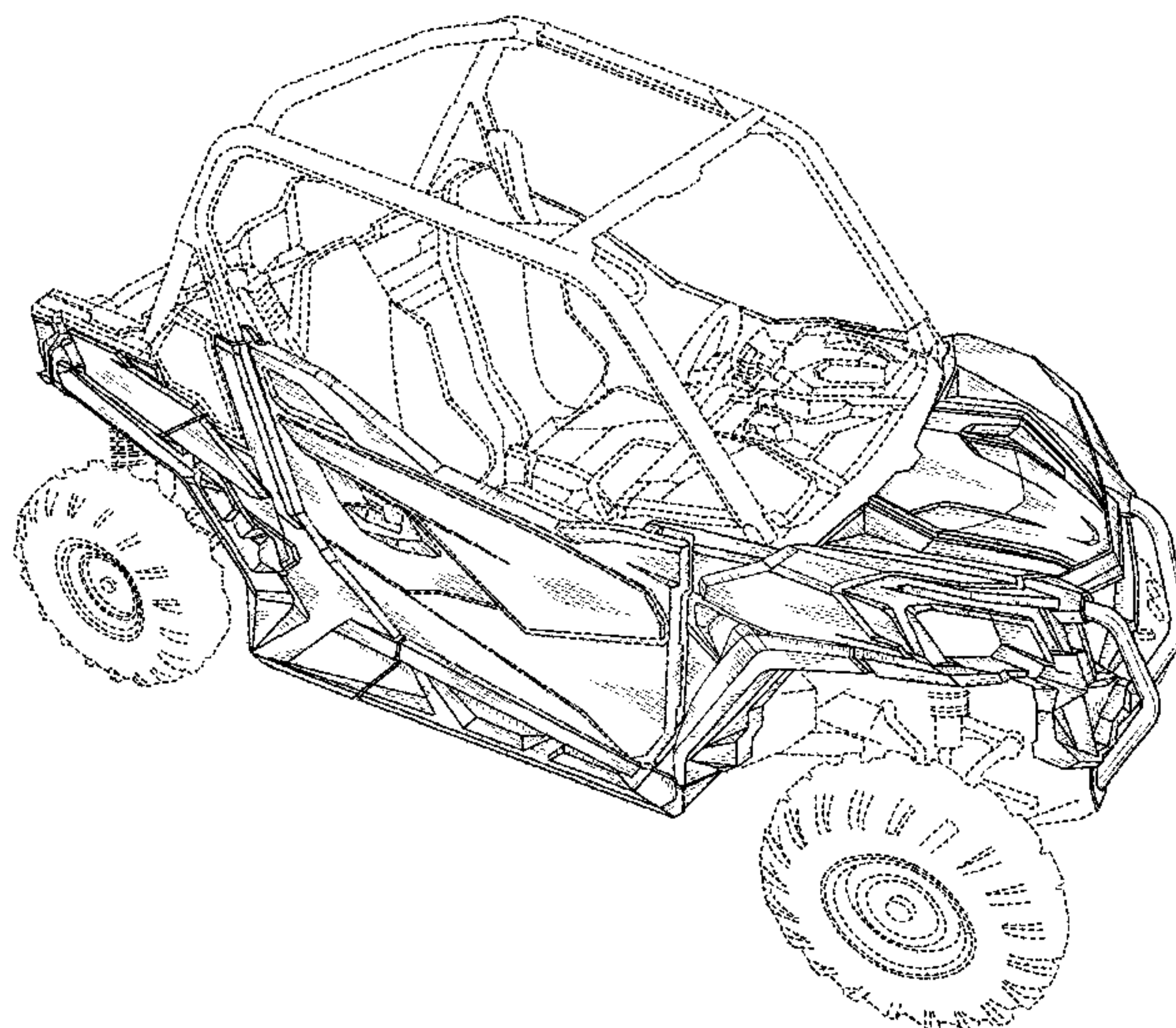
(56) **References Cited**

U.S. PATENT DOCUMENTS

D286,760 S	11/1986	Ooba et al.	
D312,989 S	12/1990	Murata et al.	
D327,237 S	6/1992	Miyamoto et al.	
D500,707 S *	1/2005	Lu	D12/87
D503,658 S *	4/2005	Lu	D12/87
D549,133 S *	8/2007	LePage	D12/87
D555,036 S *	11/2007	Eck	D12/87
D622,631 S *	8/2010	Lai	D12/87

(Continued)

1 Claim, 8 Drawing Sheets



(56)

References Cited

U.S. PATENT DOCUMENTS

D631,395 S * 1/2011 Tandrup D12/14
D633,006 S * 2/2011 Sanschagrin D12/1
D650,311 S * 12/2011 Bracy D12/87
D660,746 S * 5/2012 Bracy D12/87
D682,739 S 5/2013 Patterson et al.
D701,469 S * 3/2014 Lai D12/87
D703,102 S * 4/2014 Eck D12/87
D705,127 S 5/2014 Patterson et al.
D712,311 S * 9/2014 Morgan D12/87
D719,061 S * 12/2014 Tandrup D12/87
D737,724 S * 9/2015 Schroeder D12/87
D739,304 S 9/2015 Brown
9,327,587 B2 * 5/2016 Spindler B60K 15/03
D762,522 S * 8/2016 Kinoshita D12/87
D764,974 S * 8/2016 Mikhailov D12/14
D772,755 S * 11/2016 Tandrup D12/14
9,725,023 B2 * 8/2017 Miller B60K 11/06
9,776,481 B2 * 10/2017 Deckard B60G 3/02
D804,993 S * 12/2017 Eck D12/87
D805,009 S * 12/2017 Eck D12/171
D805,015 S * 12/2017 Eck D12/196
D835,545 S * 12/2018 Hanten D12/87
D868,629 S * 12/2019 Mikhailov D12/87
D913,846 S * 3/2021 Tuft D12/87

OTHER PUBLICATIONS

Bibliographic data of Brazilian Design No. 302012006313; retrieved from <https://www.tmdn.org/tmdsview-web/welcome> on Sep. 26, 2018.

* cited by examiner

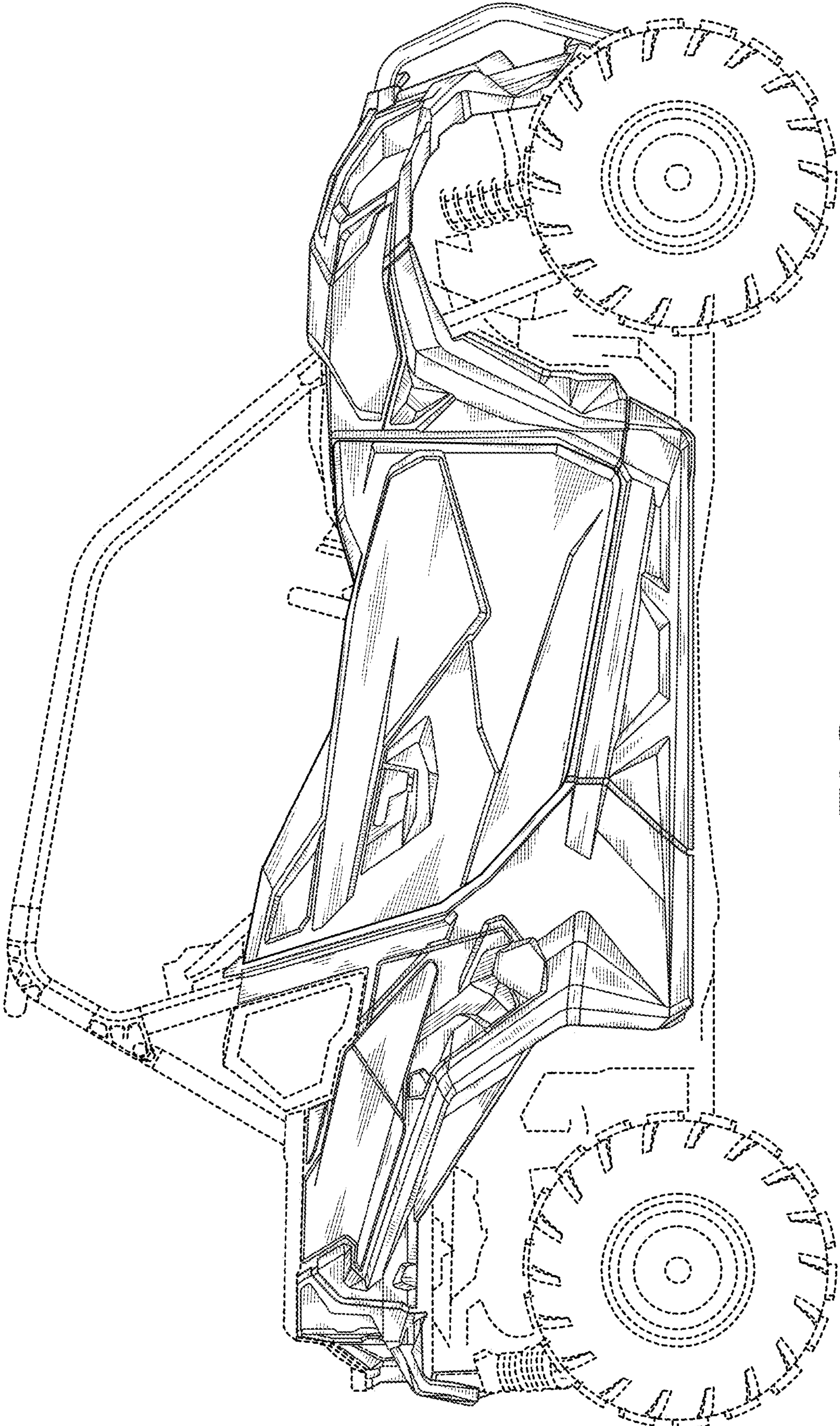


FIG.1

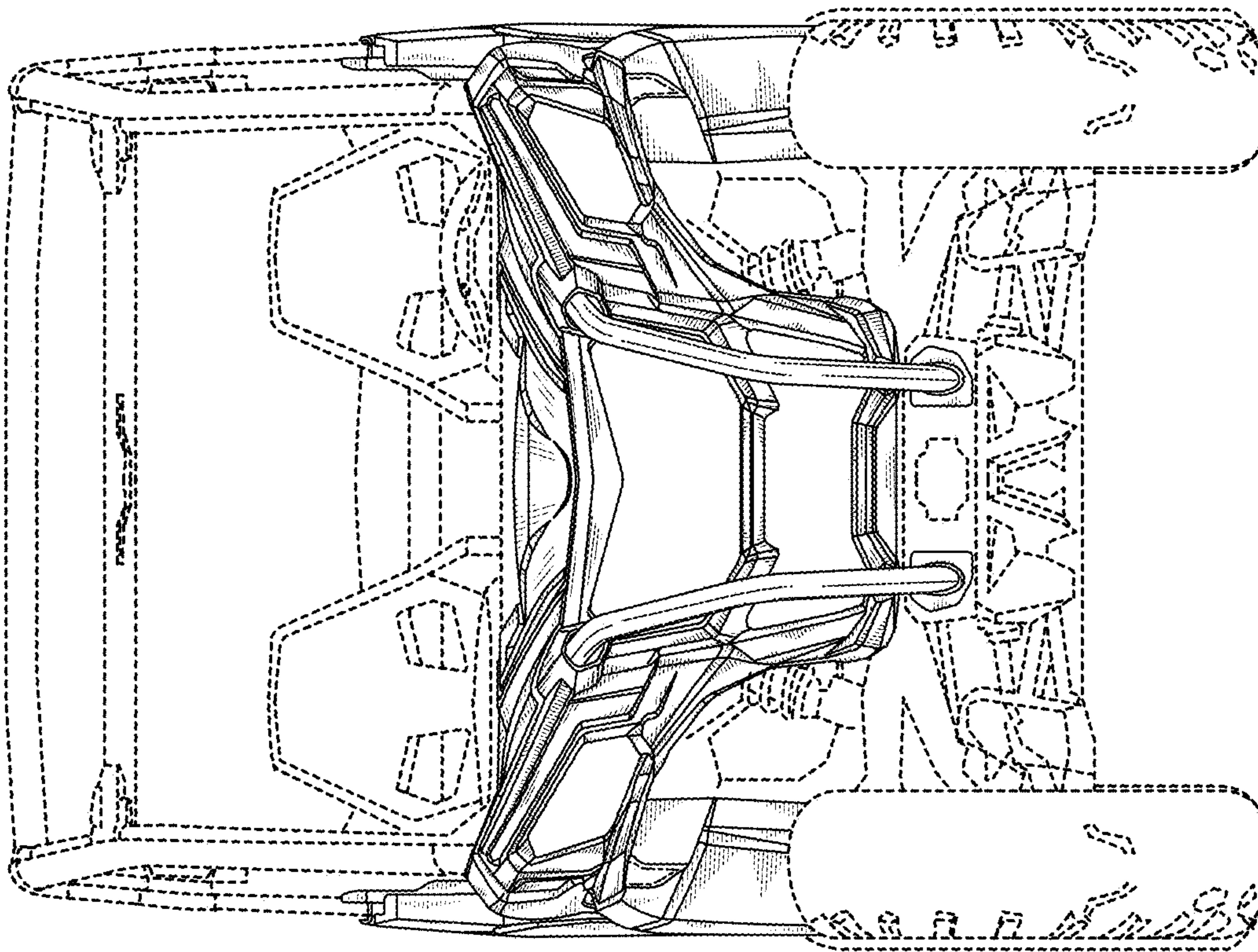


FIG. 2

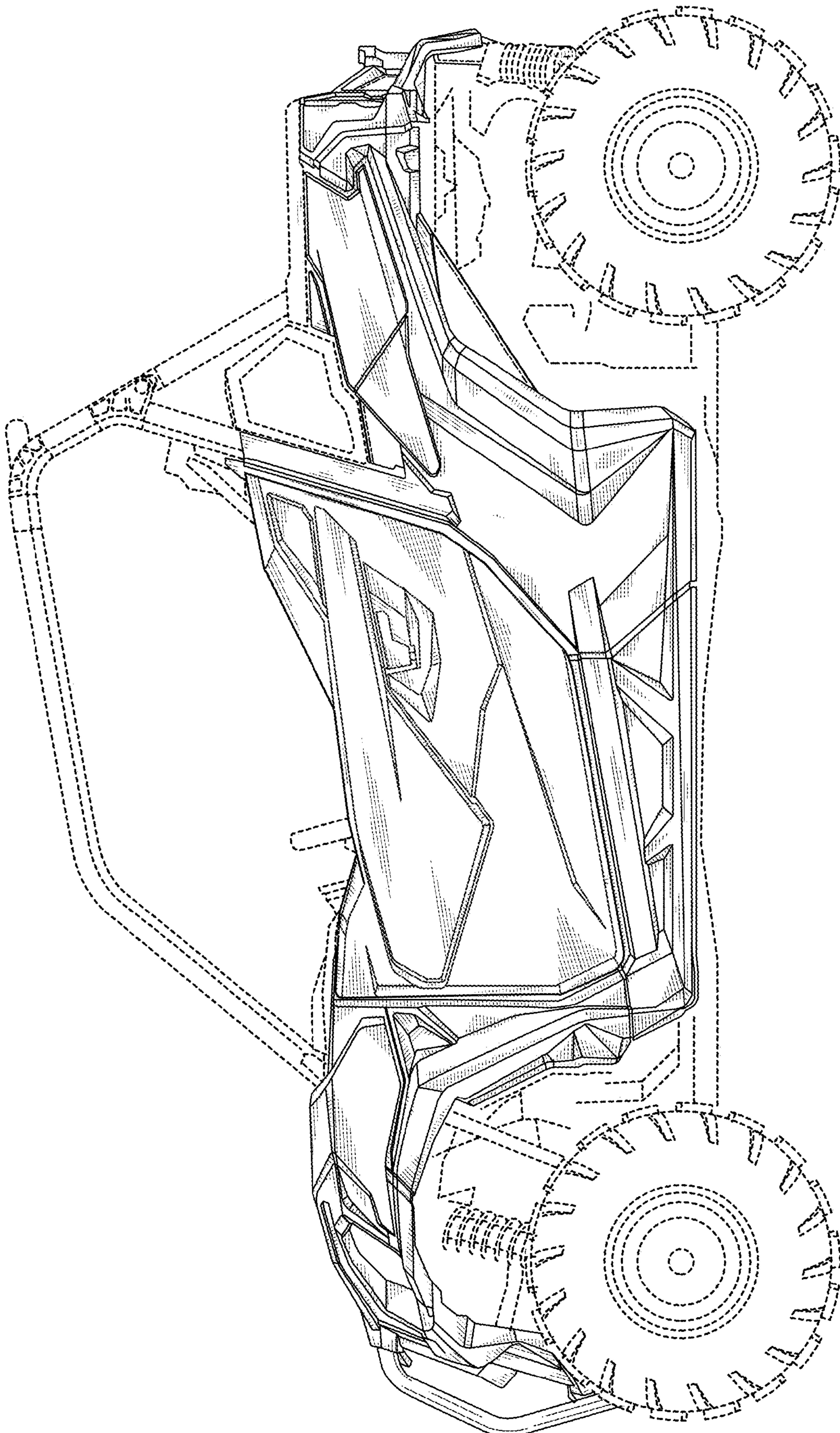


FIG.3

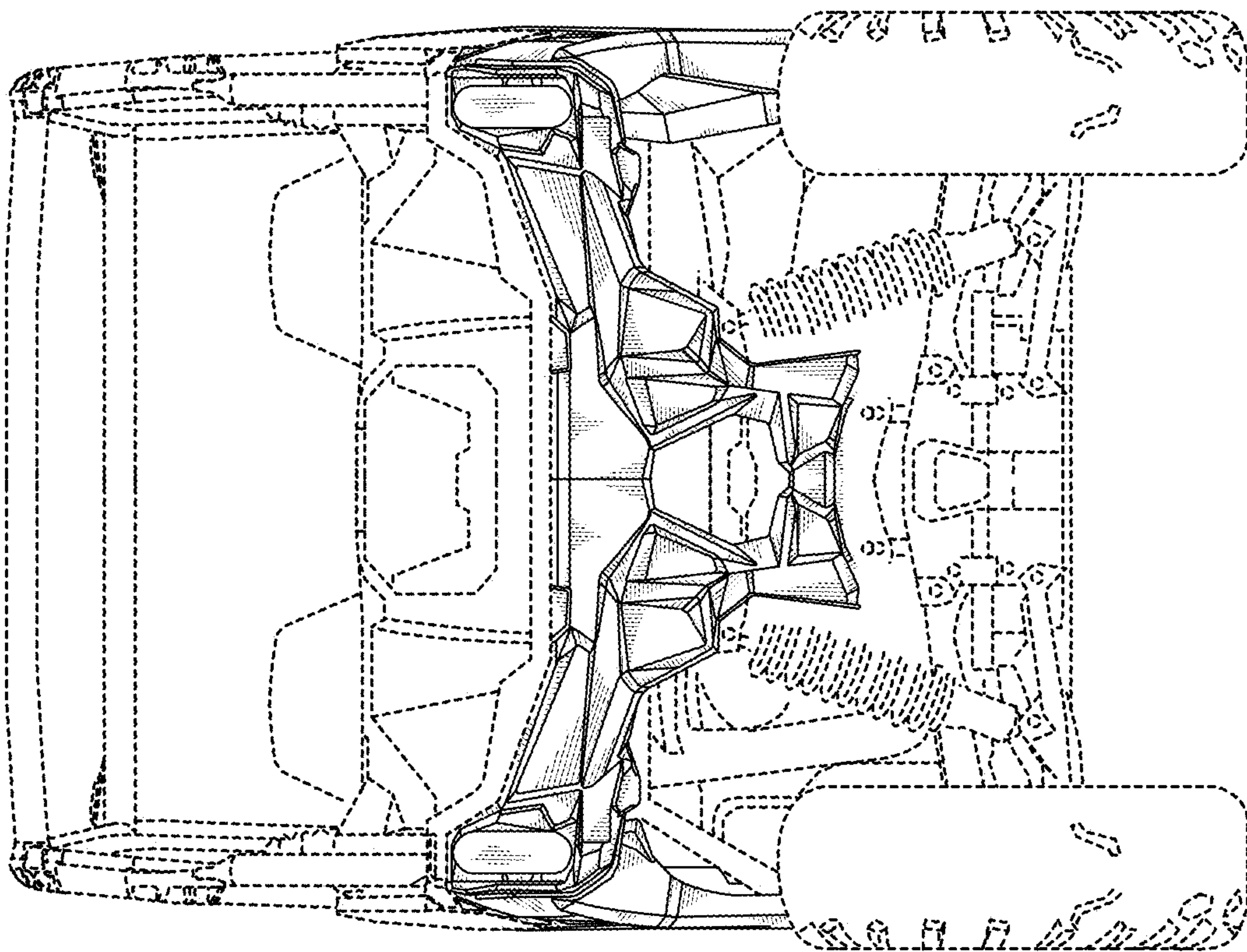


FIG.4

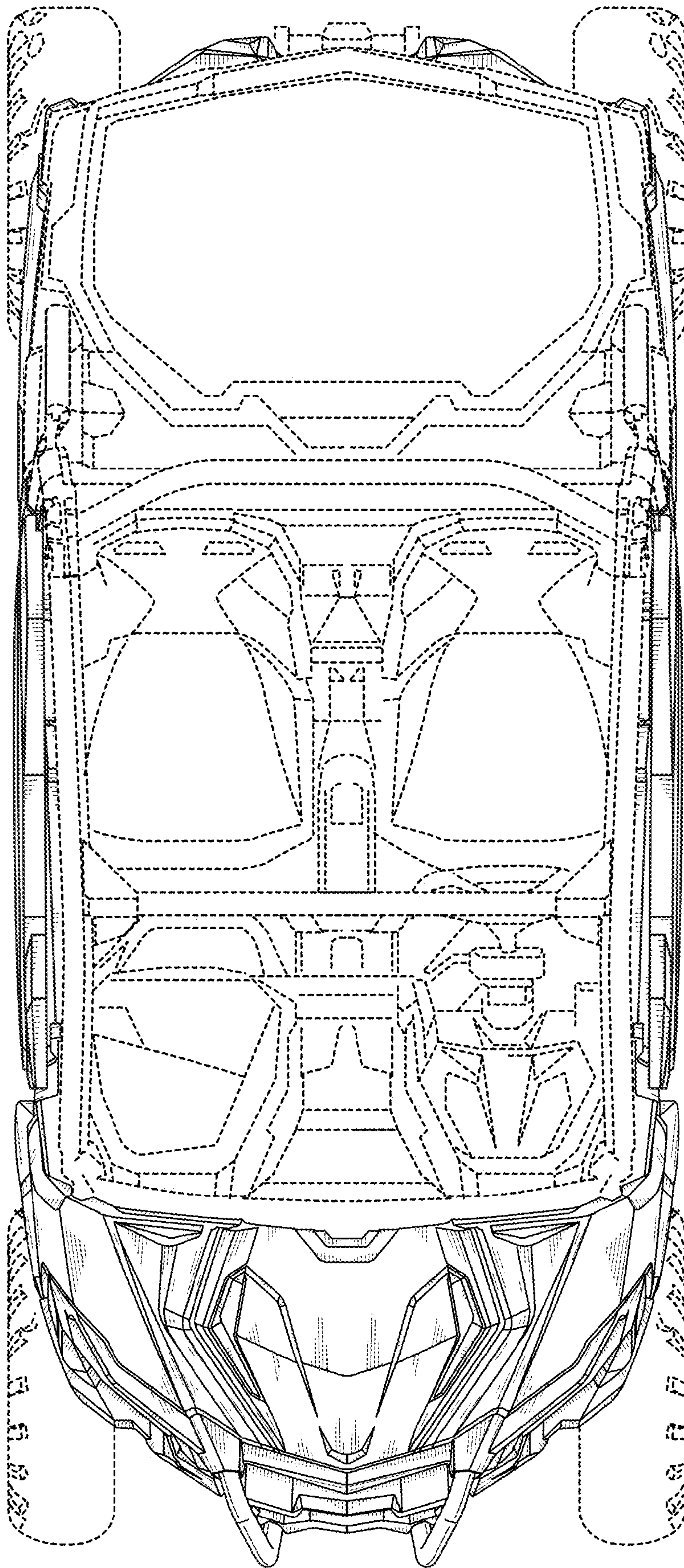


FIG.5

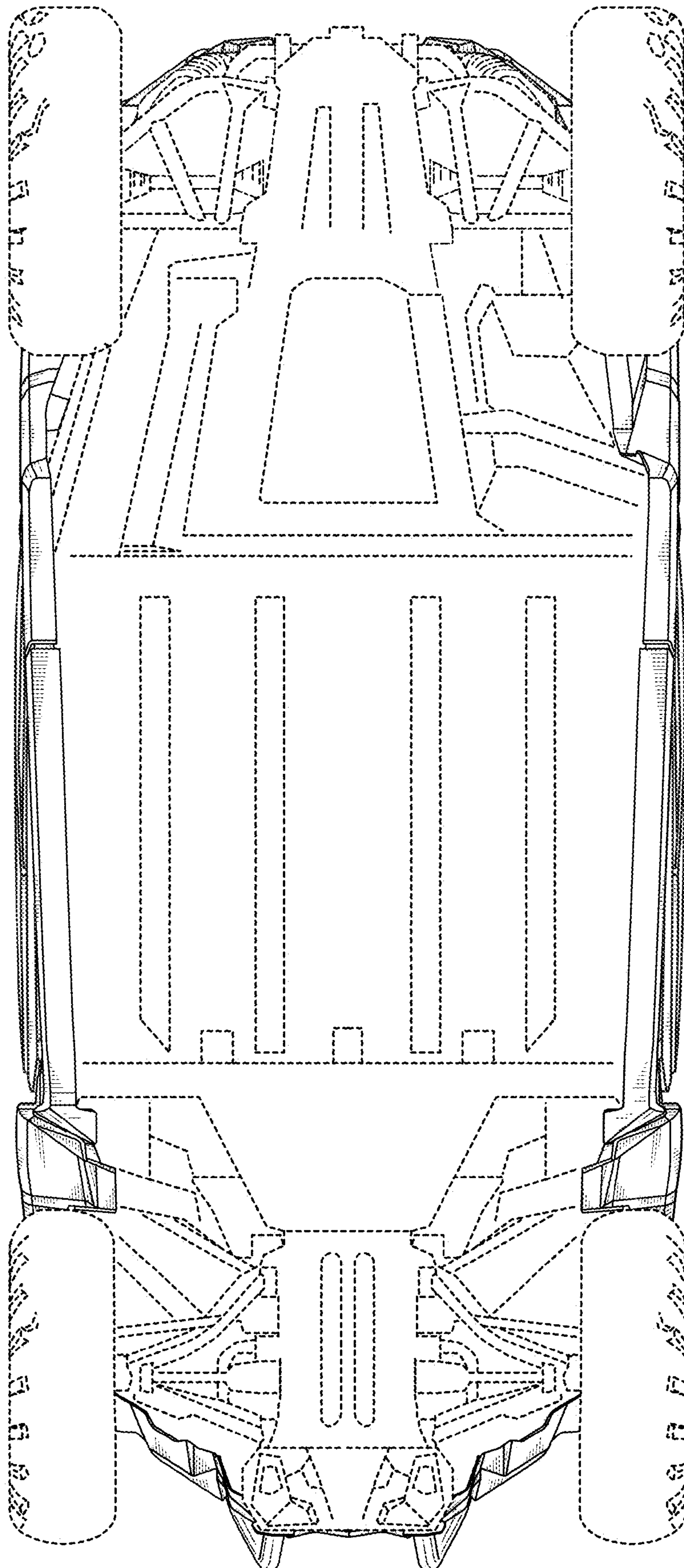


FIG. 6

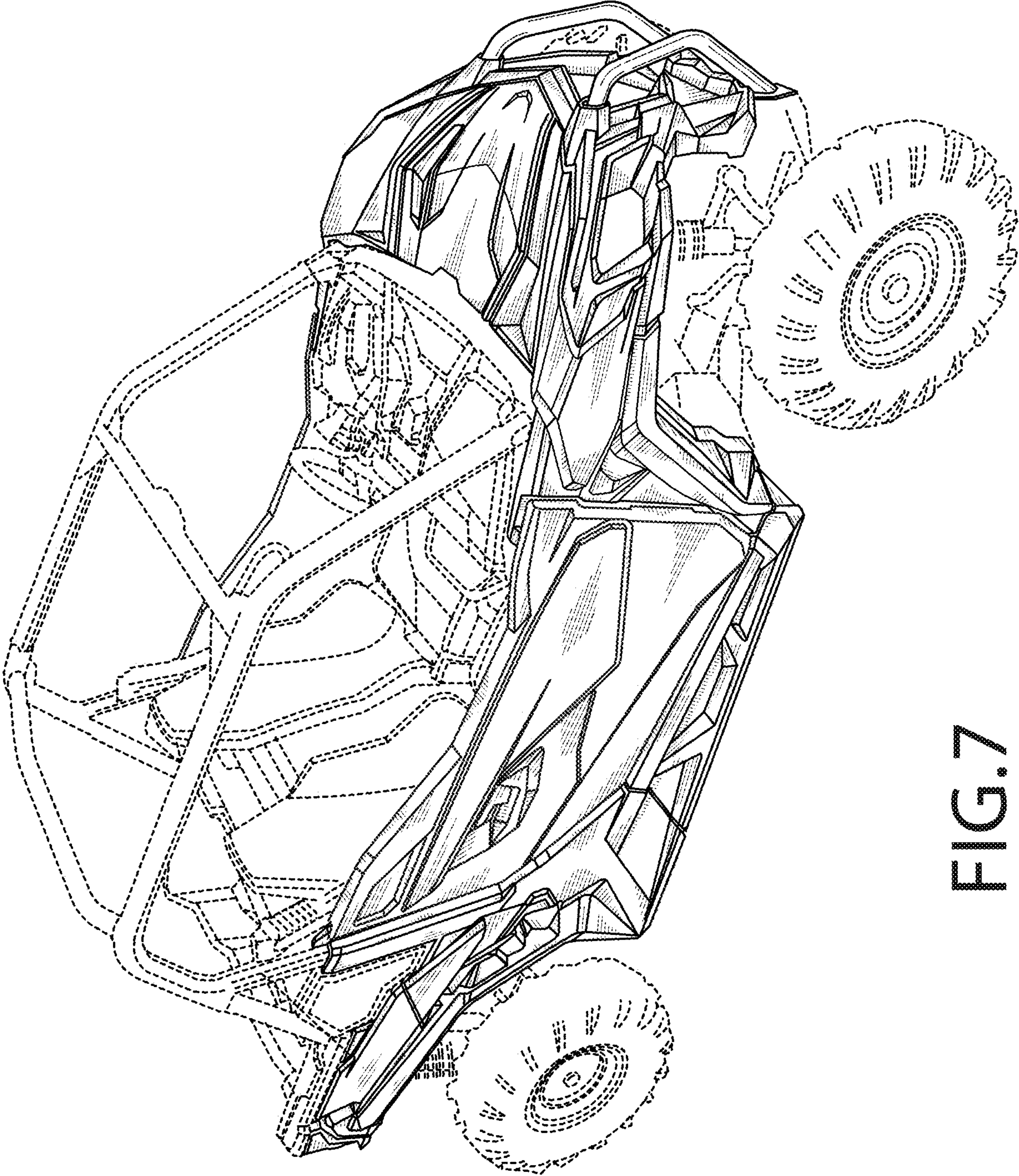


FIG. 7

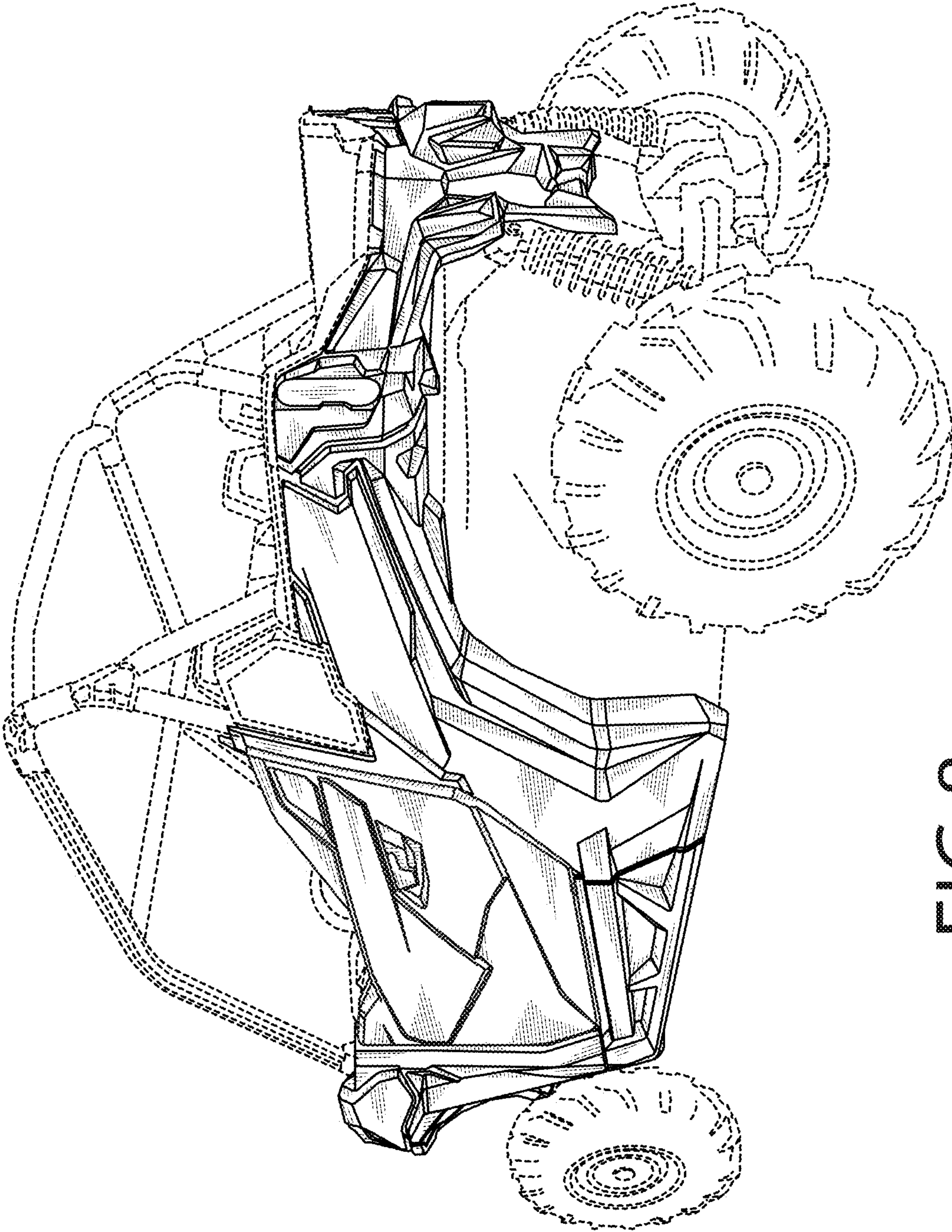


FIG. 8