

US00D927354S

(12) **United States Design Patent**
Steininger

(10) **Patent No.:** **US D927,354 S**

(45) **Date of Patent:** **** Aug. 10, 2021**

(54) **PROTECTION BOARD MOUNTING BRACKET**

3,614,340 A * 10/1971 Harmsen B60M 1/307
191/32

(71) Applicant: **Richard Steininger**, North Jackson, OH
(US)

3,806,672 A 4/1974 Landis
4,318,462 A 3/1982 Weinhaus
D352,015 S 11/1994 Esworthy
5,905,216 A 5/1999 Davis

(72) Inventor: **Richard Steininger**, North Jackson, OH
(US)

(Continued)

(**) Term: **15 Years**

FOREIGN PATENT DOCUMENTS
DE 922052 C * 1/1955 B60M 1/307
DE 10122793 C1 * 11/2002 B60M 1/307
(Continued)

(21) Appl. No.: **29/719,599**

(22) Filed: **Jan. 6, 2020**

OTHER PUBLICATIONS

Related U.S. Application Data

www.conductix.com, "Transit Power Rail For Third Rail and APM Systems", Conductix—Wampfler, 2017, 16 pages.
http://www.lbfoster.com, "Transit Products", 2017, 7 pages.

(63) Continuation-in-part of application No. 15/585,774,
filed on May 3, 2017, now Pat. No. 10,596,921.

(51) **LOC (13) Cl.** **12-03**

Primary Examiner — Ania Aman

(52) **U.S. Cl.**

(74) *Attorney, Agent, or Firm* — Fay Sharpe LLP

USPC **D12/51**

(58) **Field of Classification Search**

(57) **CLAIM**

USPC D12/48, 49, 50, 51; D8/349, 354, 363,
D8/364, 380

The ornamental design for a protection board mounting
bracket, as shown and described.

CPC B60M 1/307; B60M 1/04
See application file for complete search history.

DESCRIPTION

(56) **References Cited**

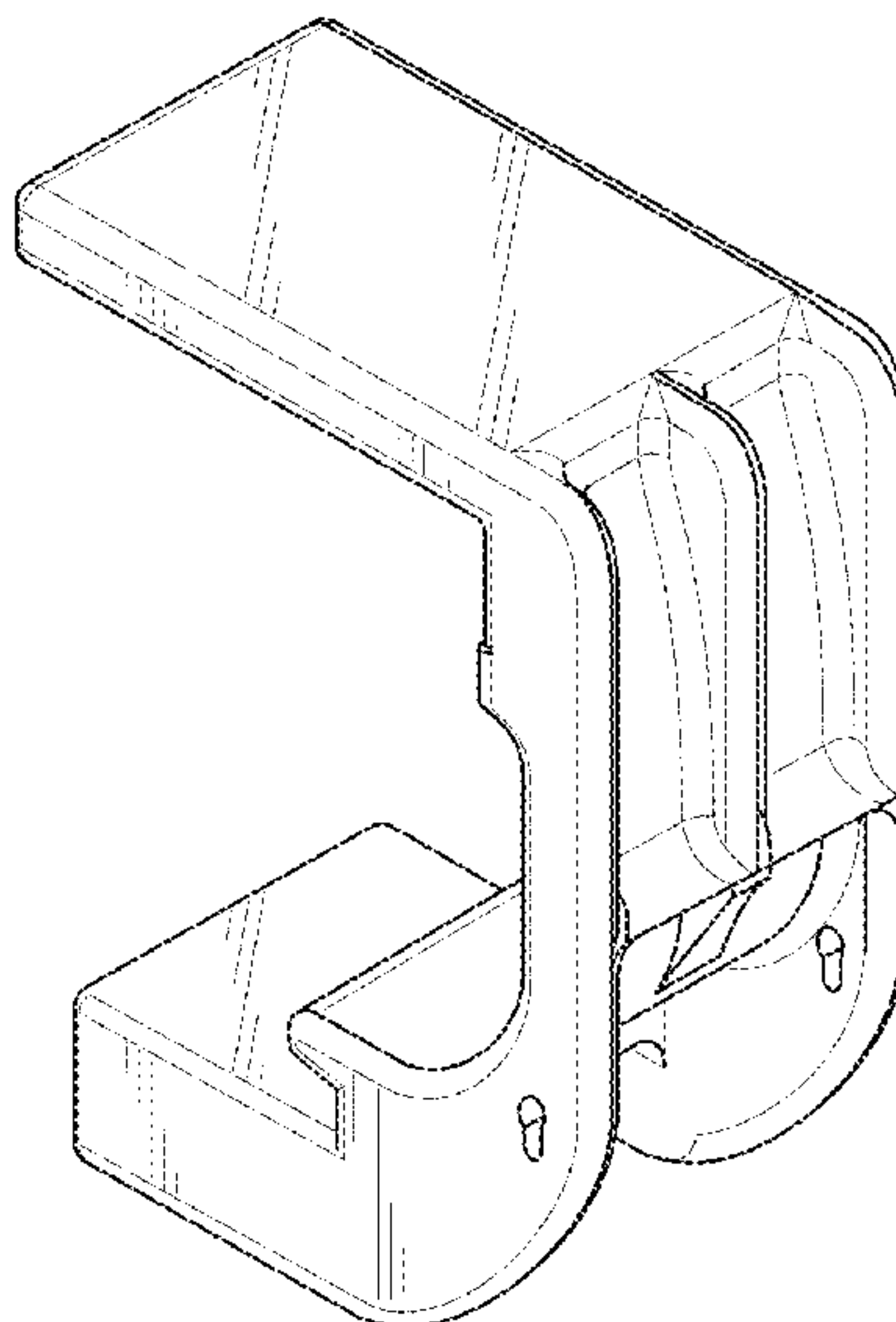
FIG. 1 is a rear perspective view of a protection board
mounting bracket showing my new design;
FIG. 2 is a right side elevational view thereof, with the left
side elevational view being a mirror image thereof;
FIG. 3 is a rear elevational view thereof;
FIG. 4 is a front perspective view thereof partially broken
away;
FIG. 5 is a front perspective view thereof;
FIG. 6 is a front elevational view thereof;
FIG. 7 is a top plan view thereof; and,
FIG. 8 is a bottom plan view thereof.

U.S. PATENT DOCUMENTS

726,599 A * 4/1903 Wheeler et al. B60M 1/307
191/32
1,532,836 A 4/1925 Schmid et al.
1,837,096 A * 12/1931 Banks B60M 1/04
248/297.31
2,048,367 A 7/1936 Banks
2,502,756 A 4/1950 Schmid
D211,606 S * 7/1968 Harmsen D12/51
D215,141 S * 9/1969 Harmsen D8/380
3,475,568 A 10/1969 Dehn
3,575,576 A * 4/1971 Harmsen B60M 1/04
191/32

In the drawings, the broken lines depict unclaimed subject
matter only and form no part of the claimed design.

1 Claim, 7 Drawing Sheets



(56)

References Cited

U.S. PATENT DOCUMENTS

6,386,492 B1 5/2002 Brown et al.
D616,791 S 6/2010 Ciloglu et al.
7,926,634 B1 4/2011 Morales
D702,596 S 4/2014 Ciloglu
D724,490 S 3/2015 Ciloglu et al.
D816,548 S 5/2018 Soylemez et al.
2017/0320404 A1 11/2017 Steininger

FOREIGN PATENT DOCUMENTS

DE 20 2012 101 576 U1 9/2013
DE 202012102995 U1 * 11/2013 B60M 1/307
DE 202017101189 U1 * 6/2018 B60M 1/307
EP 2657066 A2 * 10/2013 B60M 1/307

* cited by examiner

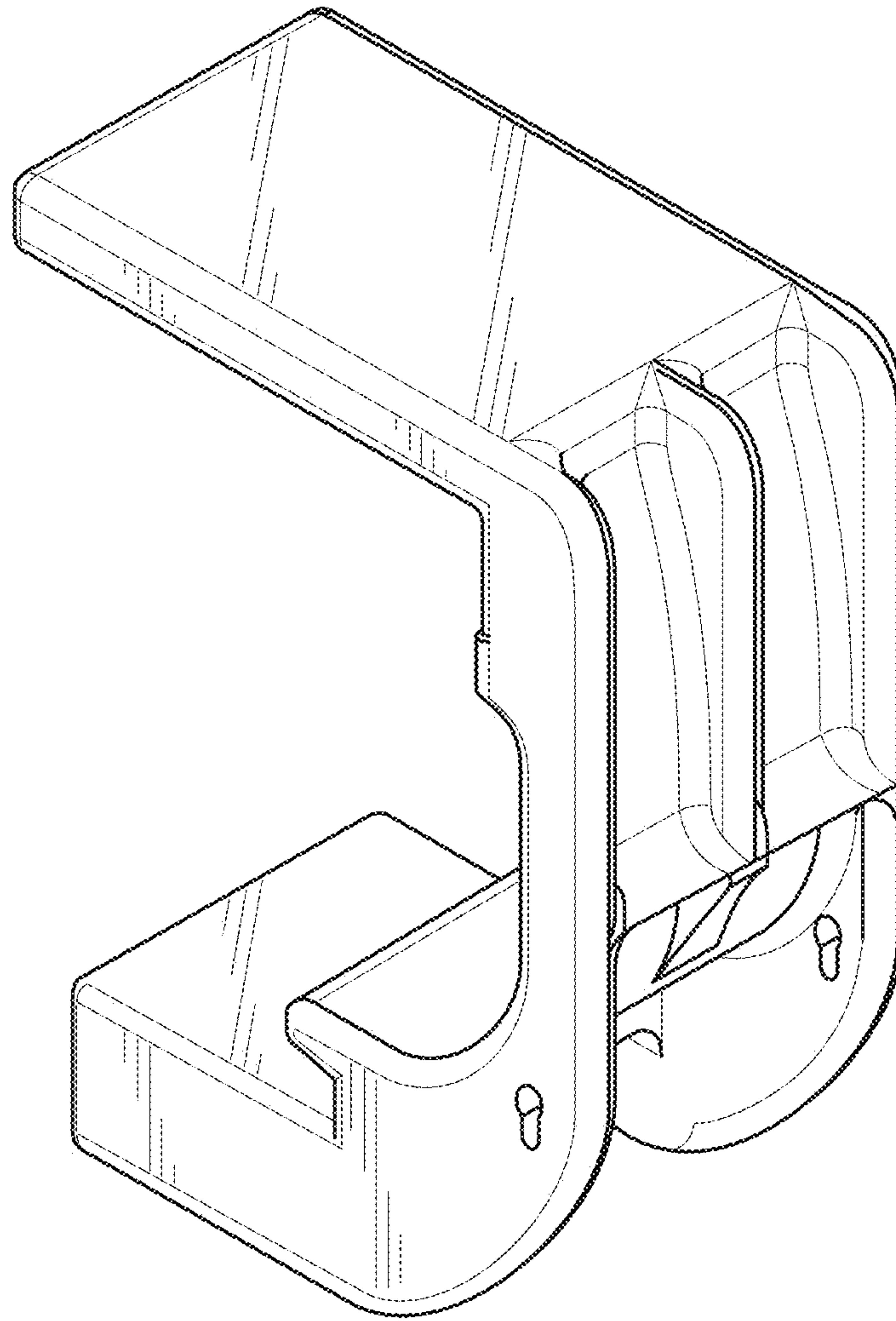


FIG. 1

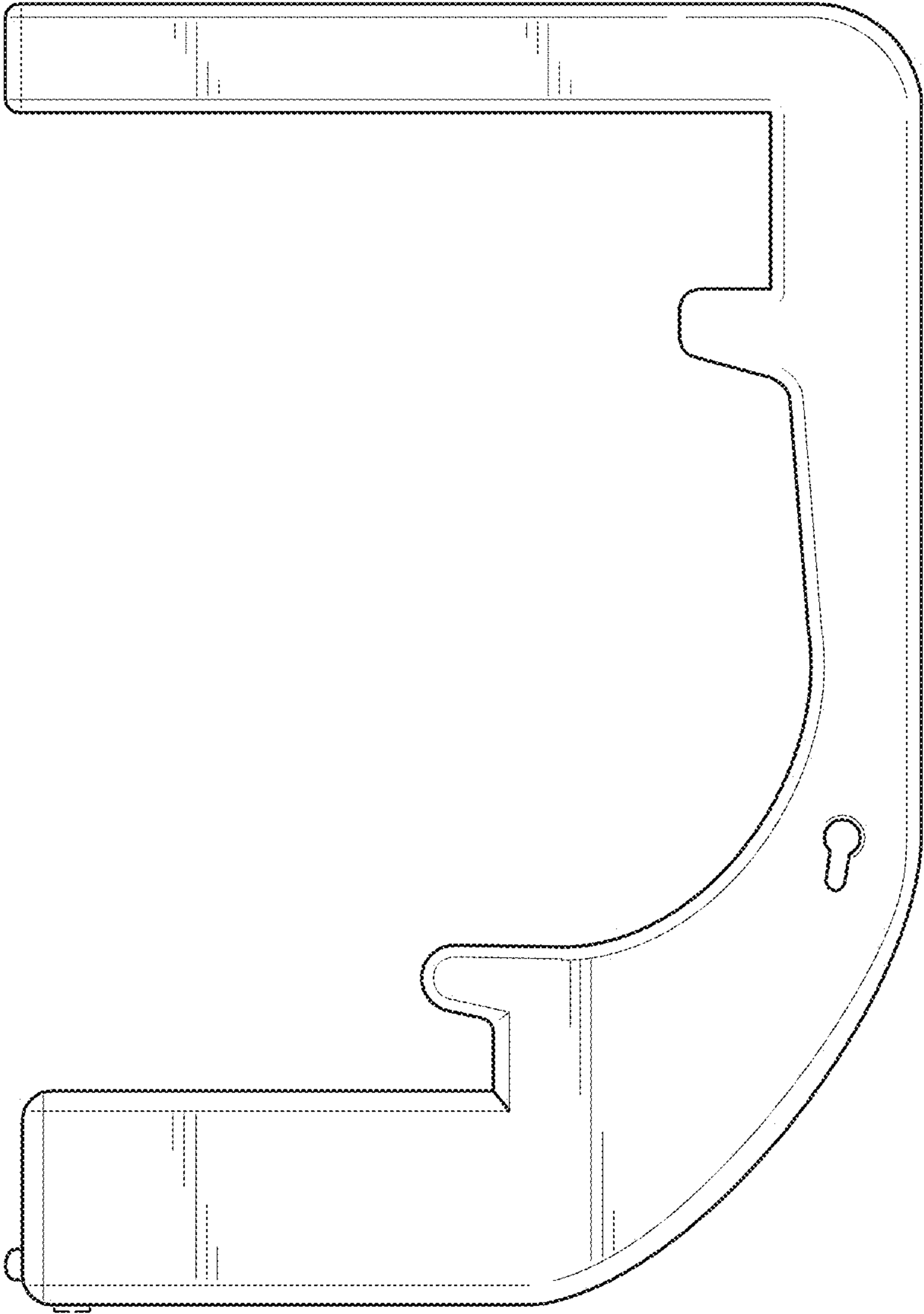


FIG. 2

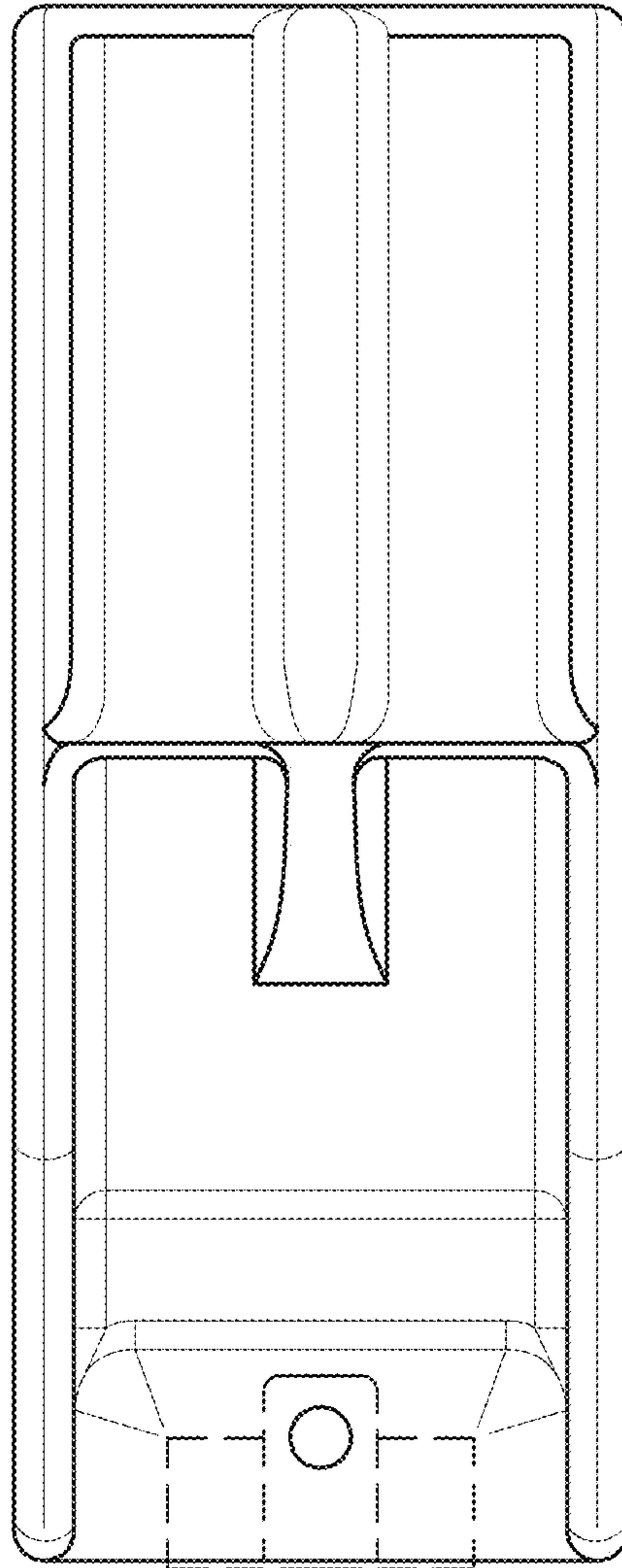


FIG. 3

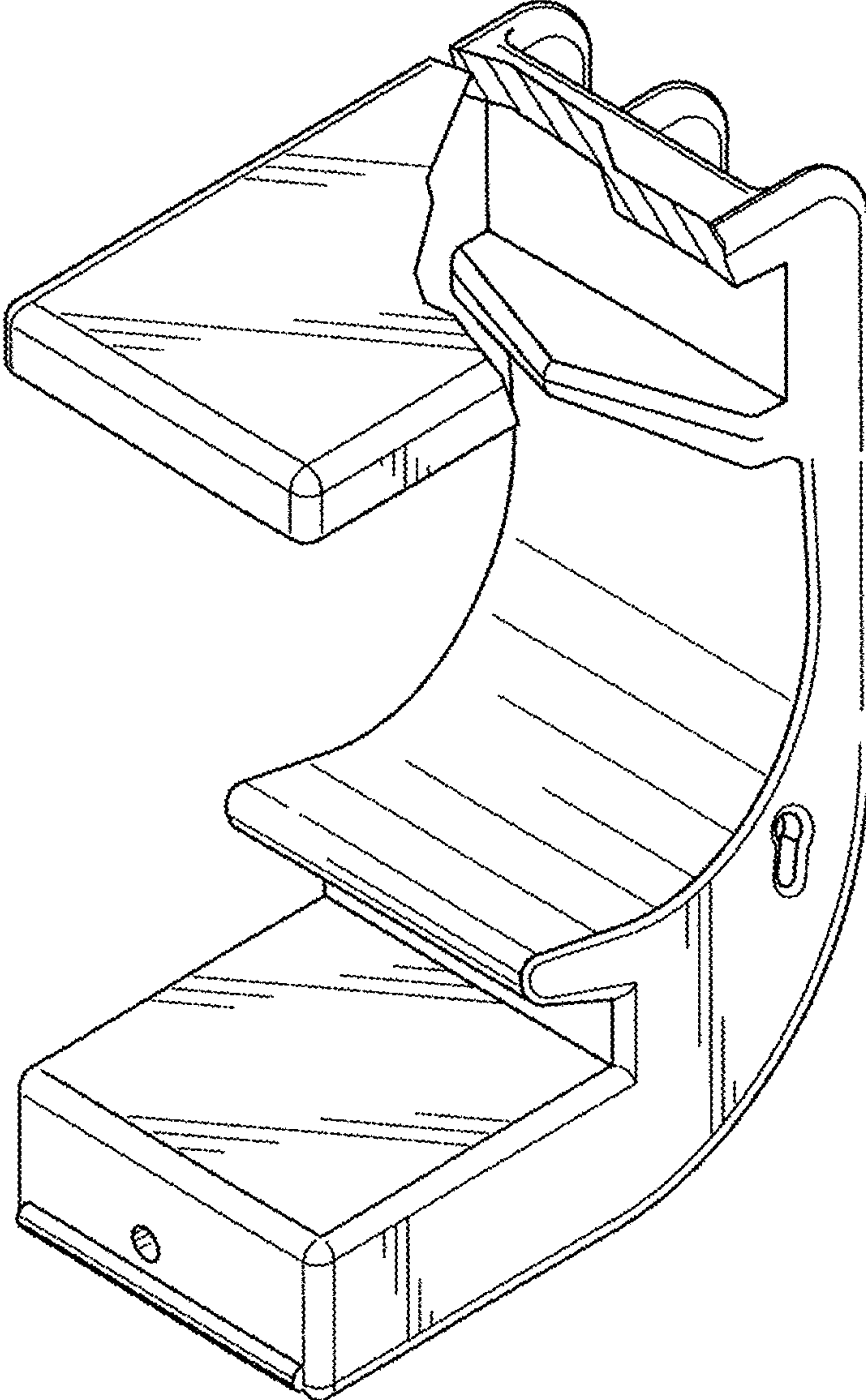


FIG. 4

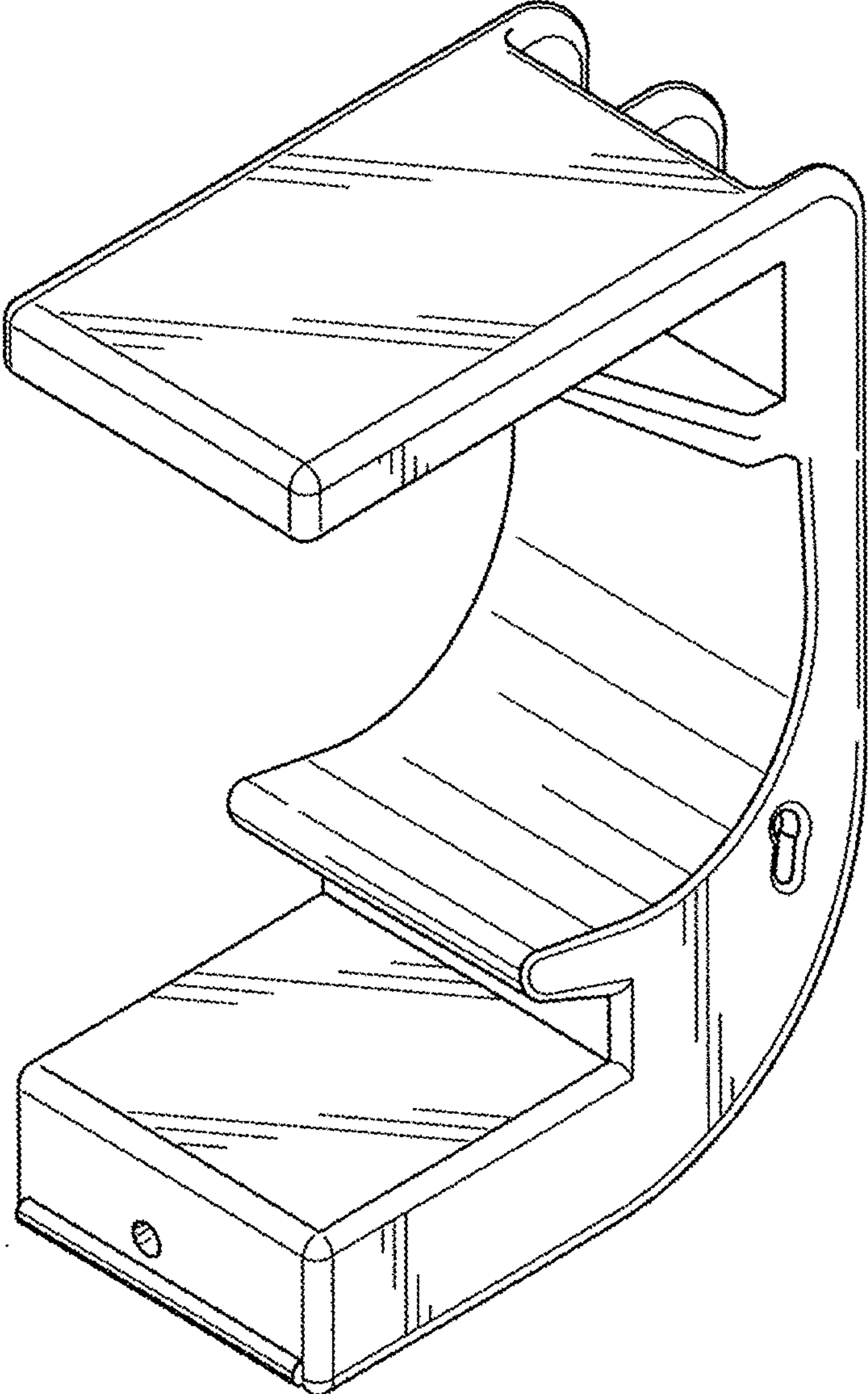


FIG. 5



FIG. 6

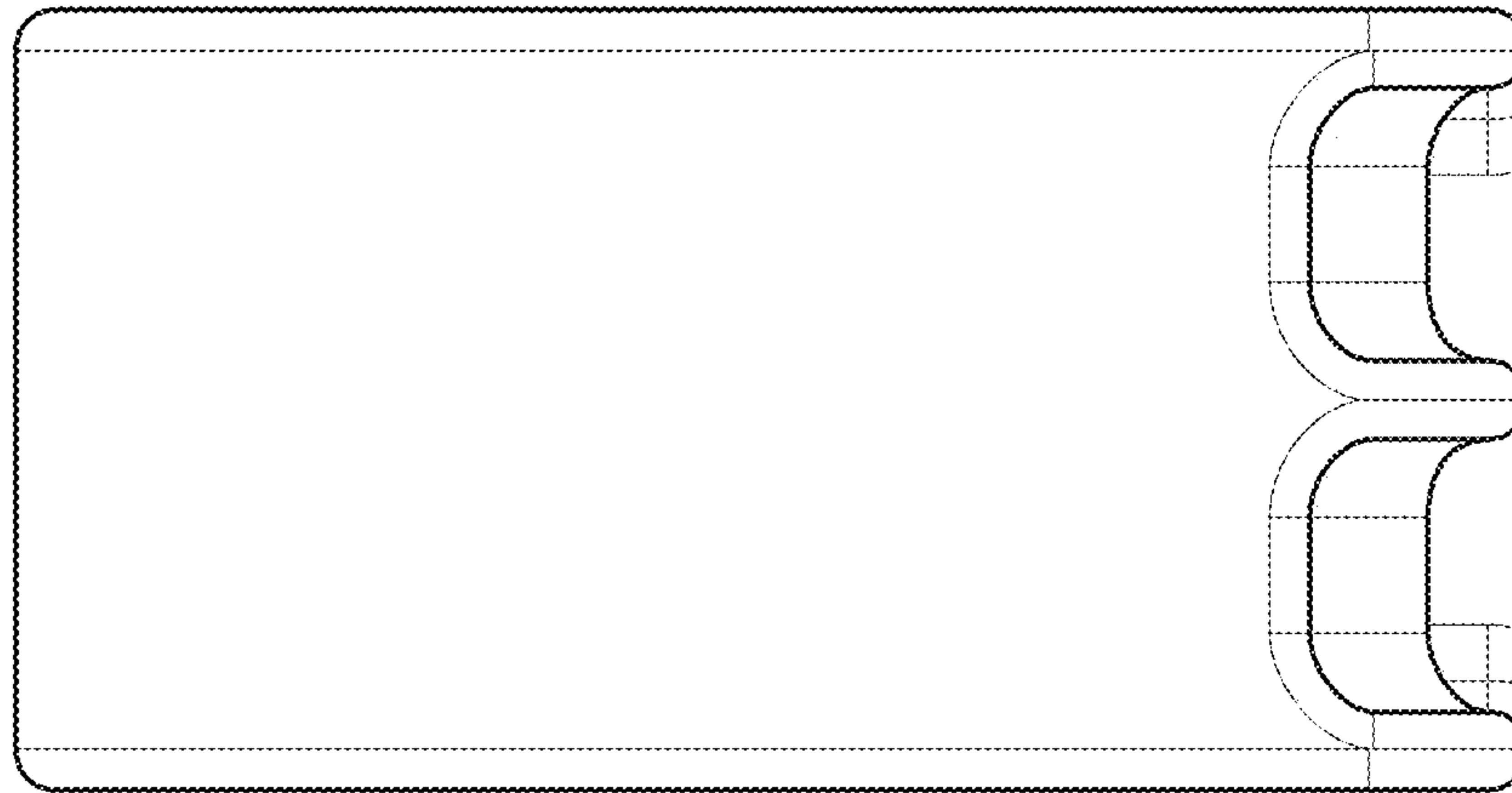


FIG. 7

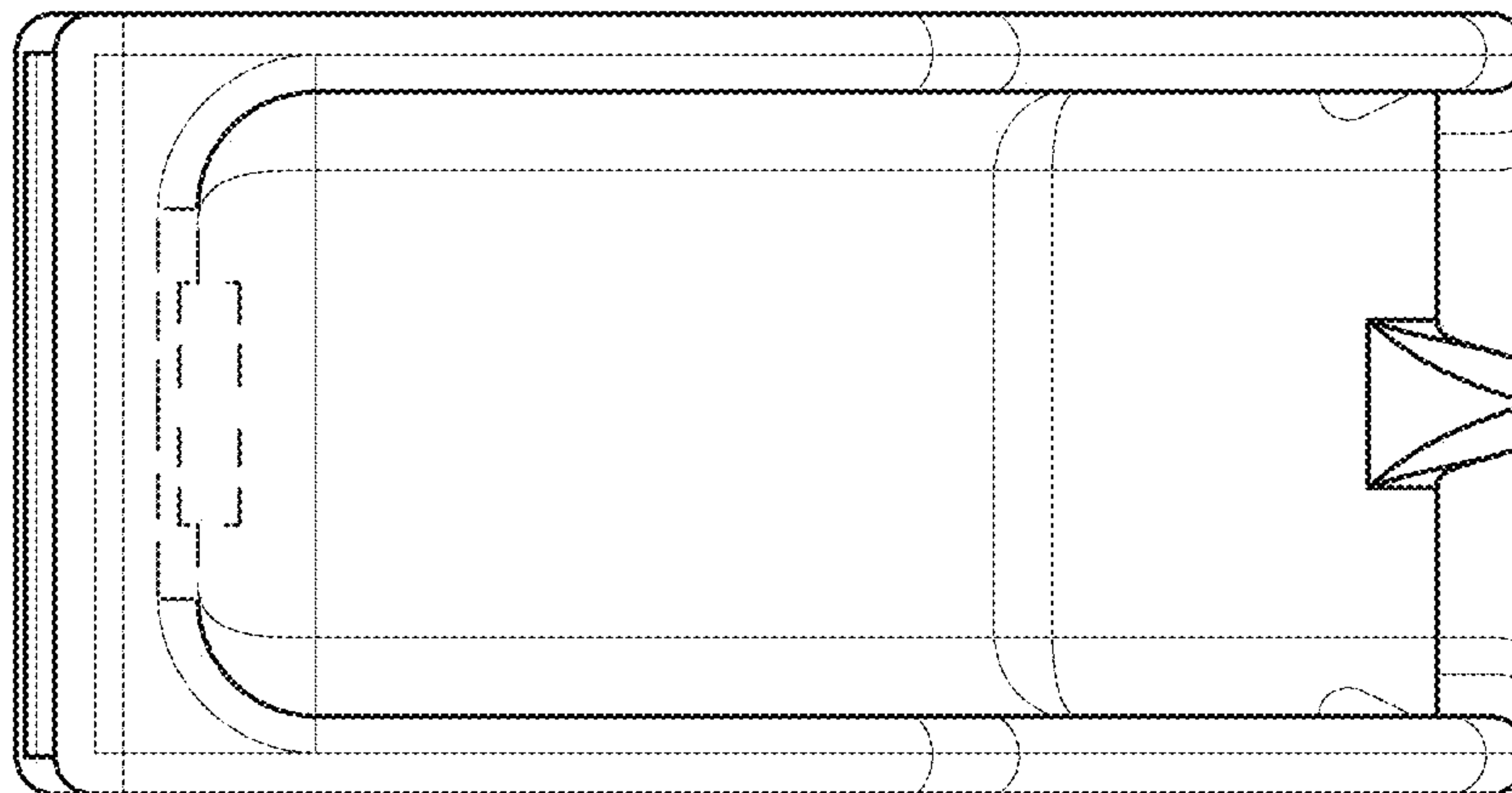


FIG. 8