



US00D927353S

(12) **United States Design Patent** (10) **Patent No.:** **US D927,353 S**  
**Jia et al.** (45) **Date of Patent:** **\*\* Aug. 10, 2021**

(54) **INTELLIGENT DEVICE**

(56) **References Cited**

(71) Applicant: **PowerVision Tech (SuZhou) Ltd.**,  
Changshu (CN)  
(72) Inventors: **Junjie Jia**, Changshu (CN); **Liye Chen**,  
Changshu (CN)  
(73) Assignee: **PowerVision Tech (SuZhou) Ltd.**,  
Changshu (CN)  
(\*\*) Term: **15 Years**  
(21) Appl. No.: **29/745,242**  
(22) Filed: **Aug. 4, 2020**

U.S. PATENT DOCUMENTS

D532,809 S \* 11/2006 Shih ..... D16/218  
D760,624 S \* 7/2016 Balaresque ..... D12/16.1  
9,527,588 B1 \* 12/2016 Rollefstad ..... G05D 1/0005  
D797,602 S \* 9/2017 Li ..... D12/16.1  
D814,350 S \* 4/2018 Joo ..... D12/16.1  
D821,264 S \* 6/2018 Choo ..... D12/16.1  
D834,996 S \* 12/2018 Zheng ..... D12/16.1  
D856,259 S \* 8/2019 Li ..... D12/328  
D889,012 S \* 6/2020 Lin ..... D26/51  
10,787,257 B2 \* 9/2020 Kim ..... G05D 1/0033  
(Continued)

**Related U.S. Application Data**

(62) Division of application No. 29/707,762, filed on Oct.  
1, 2019, now Pat. No. Des. 900,675.

OTHER PUBLICATIONS

PowerEgg X by PowerVision. copyright of webpage 2021. no  
visible publication date. found online [May 26, 2021] [https://www.  
powervision.me/en/product/powereggx](https://www.powervision.me/en/product/powereggx).\*

(30) **Foreign Application Priority Data**

Apr. 1, 2019 (CN) ..... 201910257812.7  
May 20, 2019 (CN) ..... 201910426335.2  
Jul. 8, 2019 (CN) ..... 201930359741.2  
Sep. 9, 2019 (CN) ..... 201910849426.7  
Sep. 10, 2019 (CN) ..... 201930497520.1  
Sep. 10, 2019 (CN) ..... 201930497524.X  
Sep. 10, 2019 (CN) ..... 201930497642.0  
Sep. 10, 2019 (CN) ..... 201930497935.9  
Sep. 10, 2019 (CN) ..... 201930497937.8

*Primary Examiner* — Marissa J Cash  
(74) *Attorney, Agent, or Firm* — Winston Hsu

(51) **LOC (13) Cl.** ..... **12-07**  
(52) **U.S. Cl.**  
USPC ..... **D12/16.1**  
(58) **Field of Classification Search**  
USPC ..... D12/1-4, 16.1, 319-345; D21/436, 441,  
D21/443, 444, 446, 447, 448, 449, 450,  
D21/451, 452, 453, 454  
CPC ..... B64C 2201/141; B64C 2201/20; B64C  
2201/027; B64C 1/40; B64G 1/002;  
A63H 33/185  
See application file for complete search history.

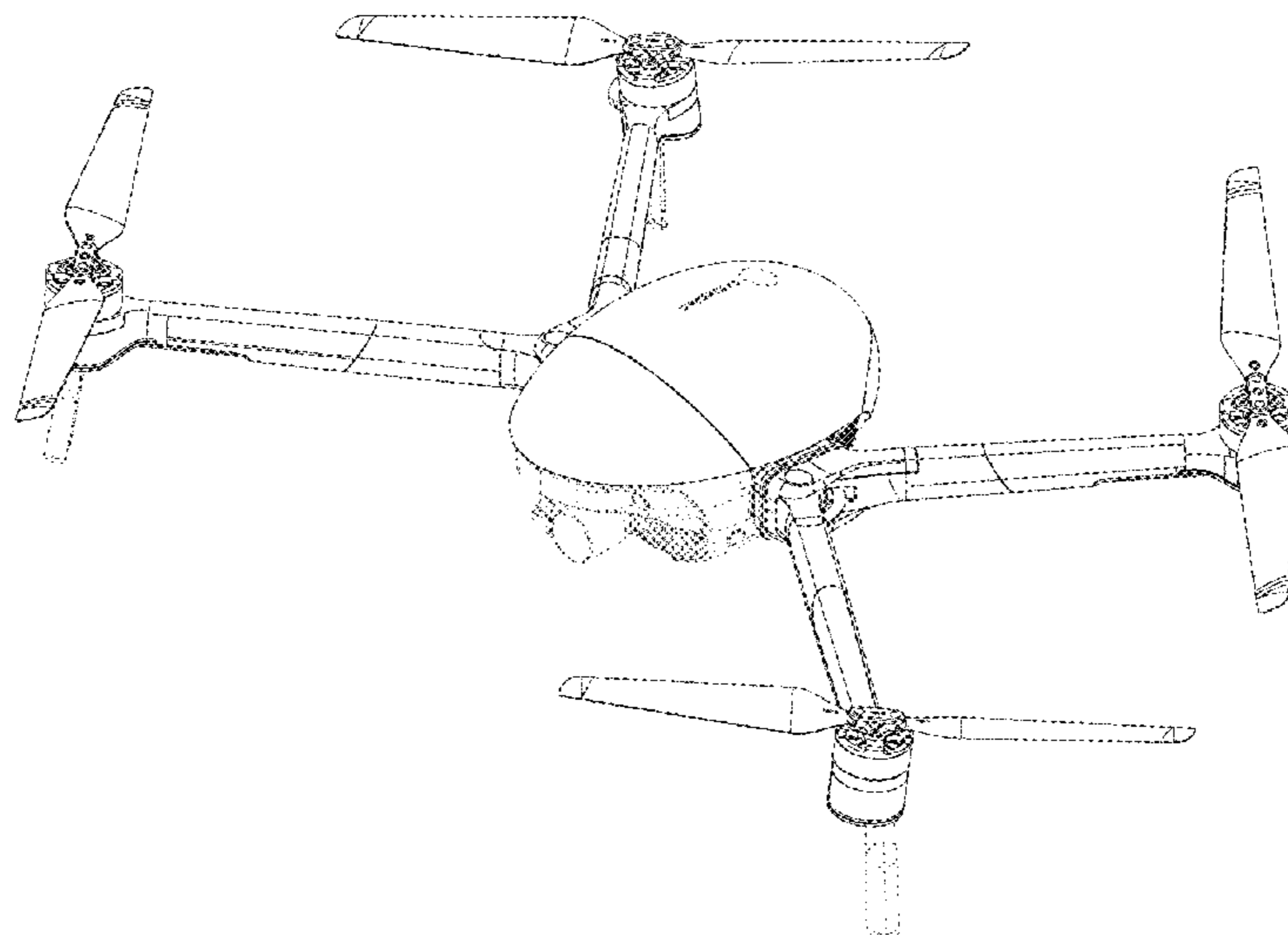
(57) **CLAIM**

The ornamental design for an intelligent device, as shown  
and described.

**DESCRIPTION**

FIG. 1 is a top, front, and right side perspective view of an  
intelligent device showing our new design;  
FIG. 2 is a front elevation view thereof;  
FIG. 3 is a rear elevation view thereof;  
FIG. 4 is a left side elevation view thereof;  
FIG. 5 is a right side elevation view thereof;  
FIG. 6 is a top plan view thereof; and,  
FIG. 7 is a bottom plan view thereof.  
The broken lines depict portions of the intelligent device that  
form no part of the claimed design.

**1 Claim, 7 Drawing Sheets**



(56)

**References Cited**

U.S. PATENT DOCUMENTS

D900,675 S \* 11/2020 Jia ..... D12/1  
10,820,574 B2 \* 11/2020 Gordon ..... A01K 57/00  
D903,576 S \* 12/2020 Feldman ..... D12/319  
2016/0179096 A1 \* 6/2016 Bradlow ..... G05D 1/0669  
701/8  
2016/0257424 A1 \* 9/2016 Stabler ..... B64F 1/20  
2016/0272317 A1 \* 9/2016 Cho ..... G05D 1/0088  
2016/0280359 A1 \* 9/2016 Semke ..... B64C 27/10  
2018/0304984 A1 \* 10/2018 Zheng ..... B64C 25/10  
2019/0193844 A1 \* 6/2019 Zheng ..... B64C 1/30  
2020/0001994 A1 \* 1/2020 Prokhorov ..... G08G 5/0021  
2021/0107645 A1 \* 4/2021 Izraelevitz ..... B64C 25/32

\* cited by examiner

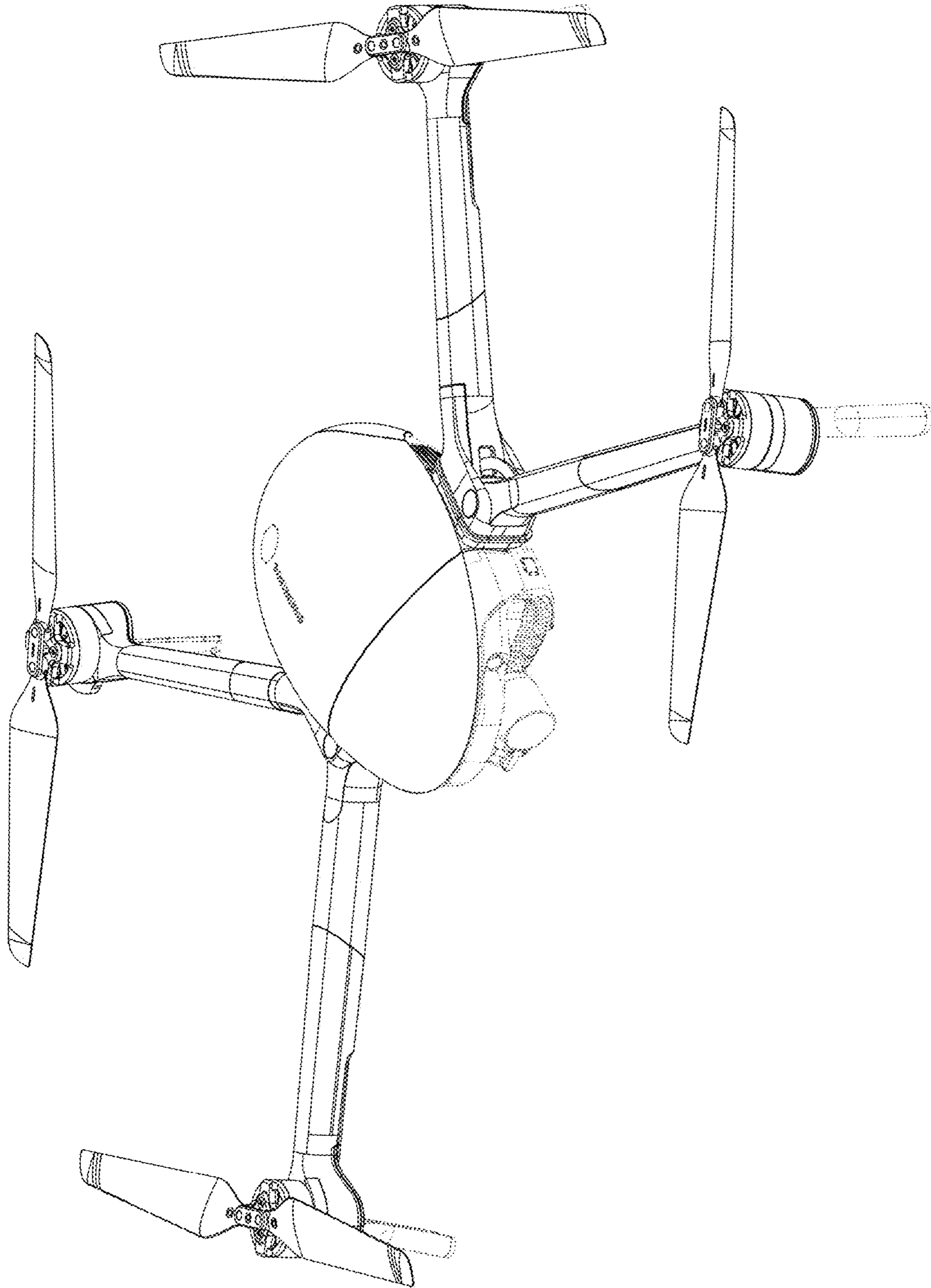


FIG. 1

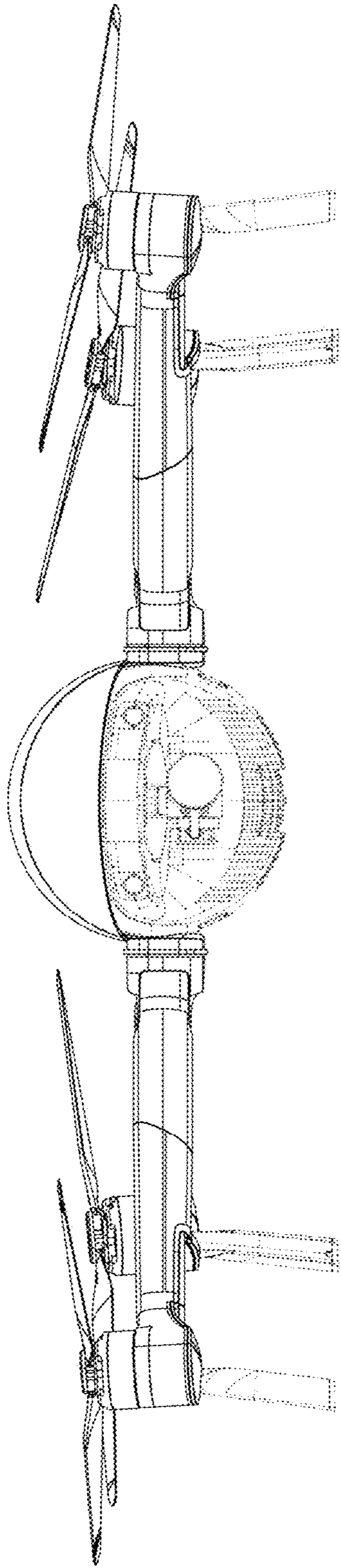


FIG. 2



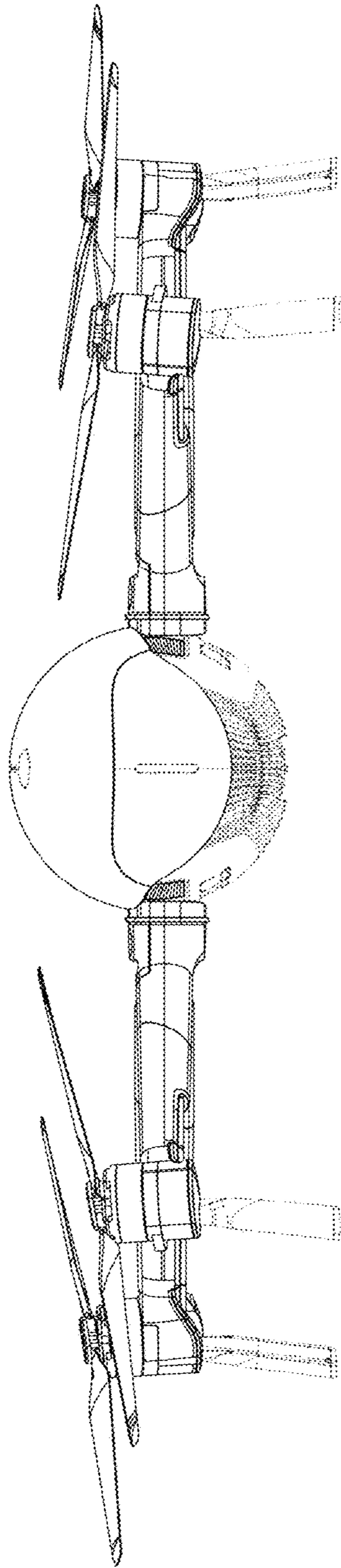


FIG. 3

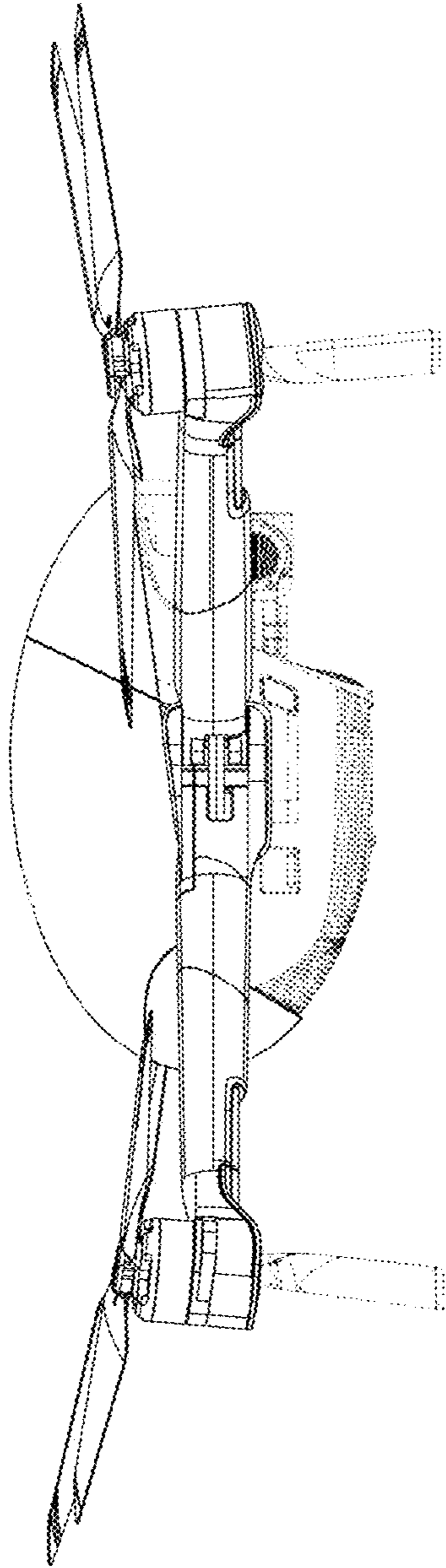


FIG. 4

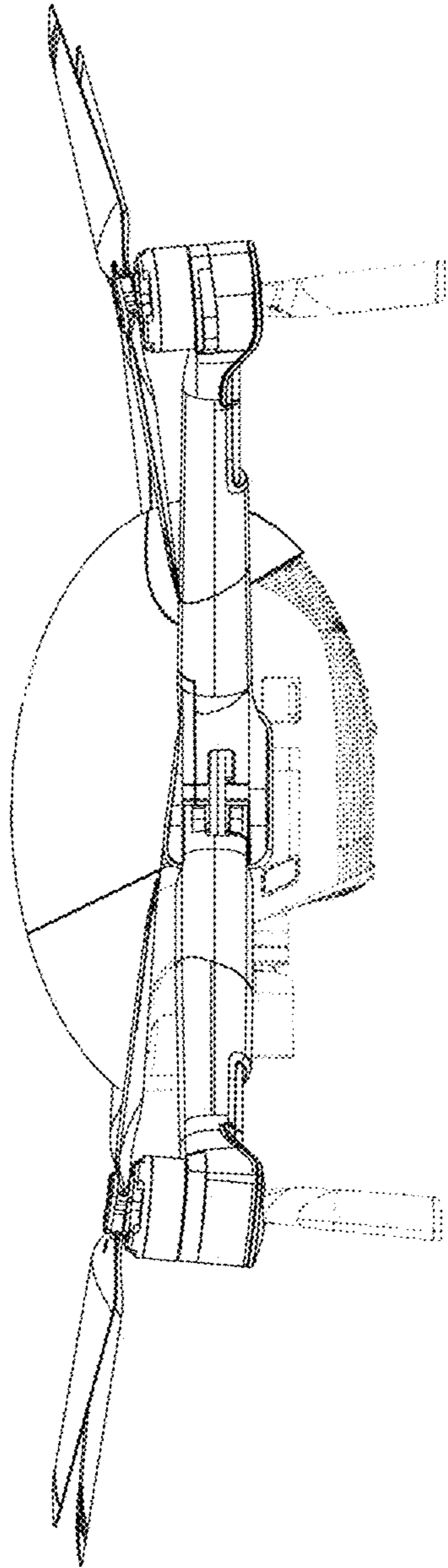


FIG. 5

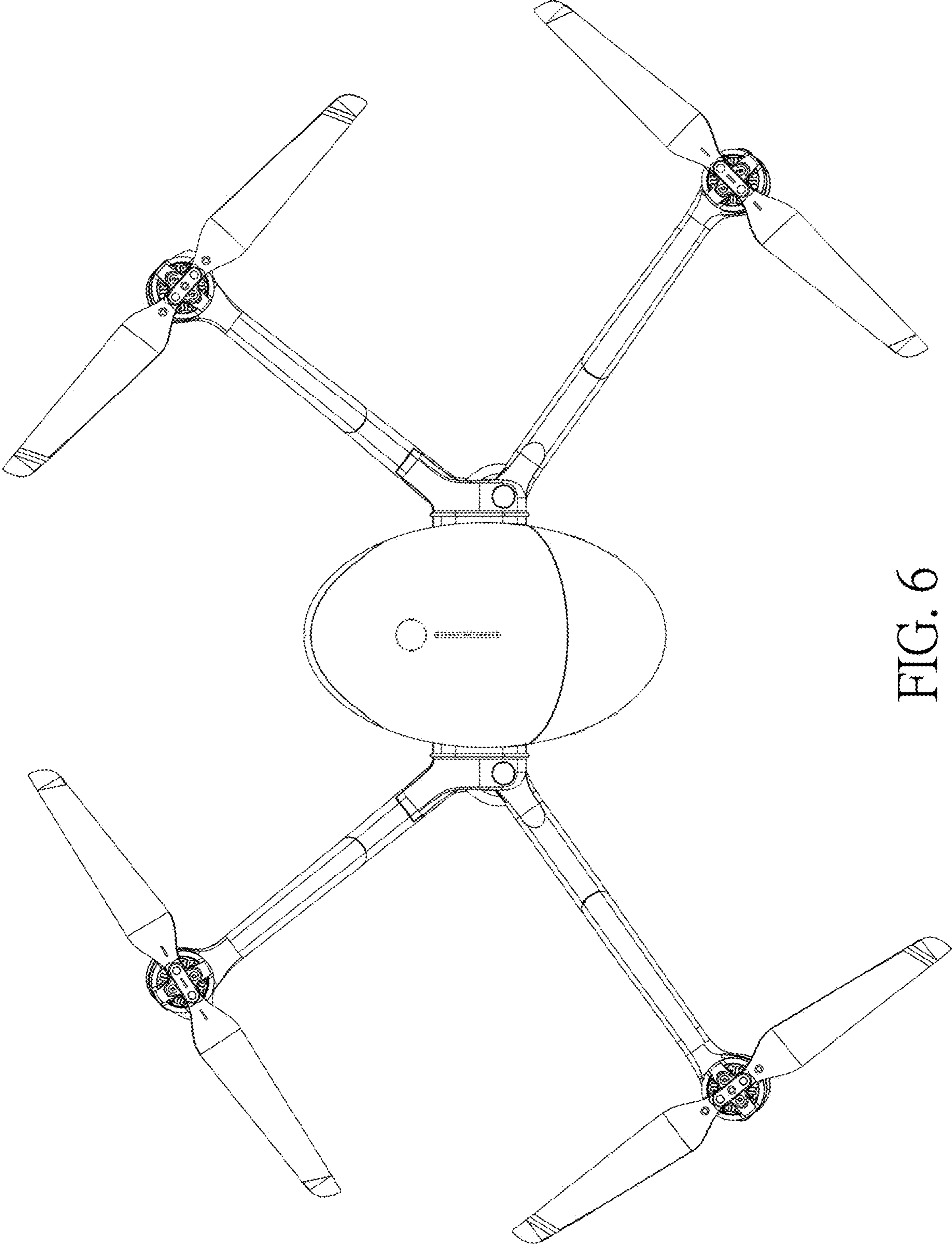


FIG. 6



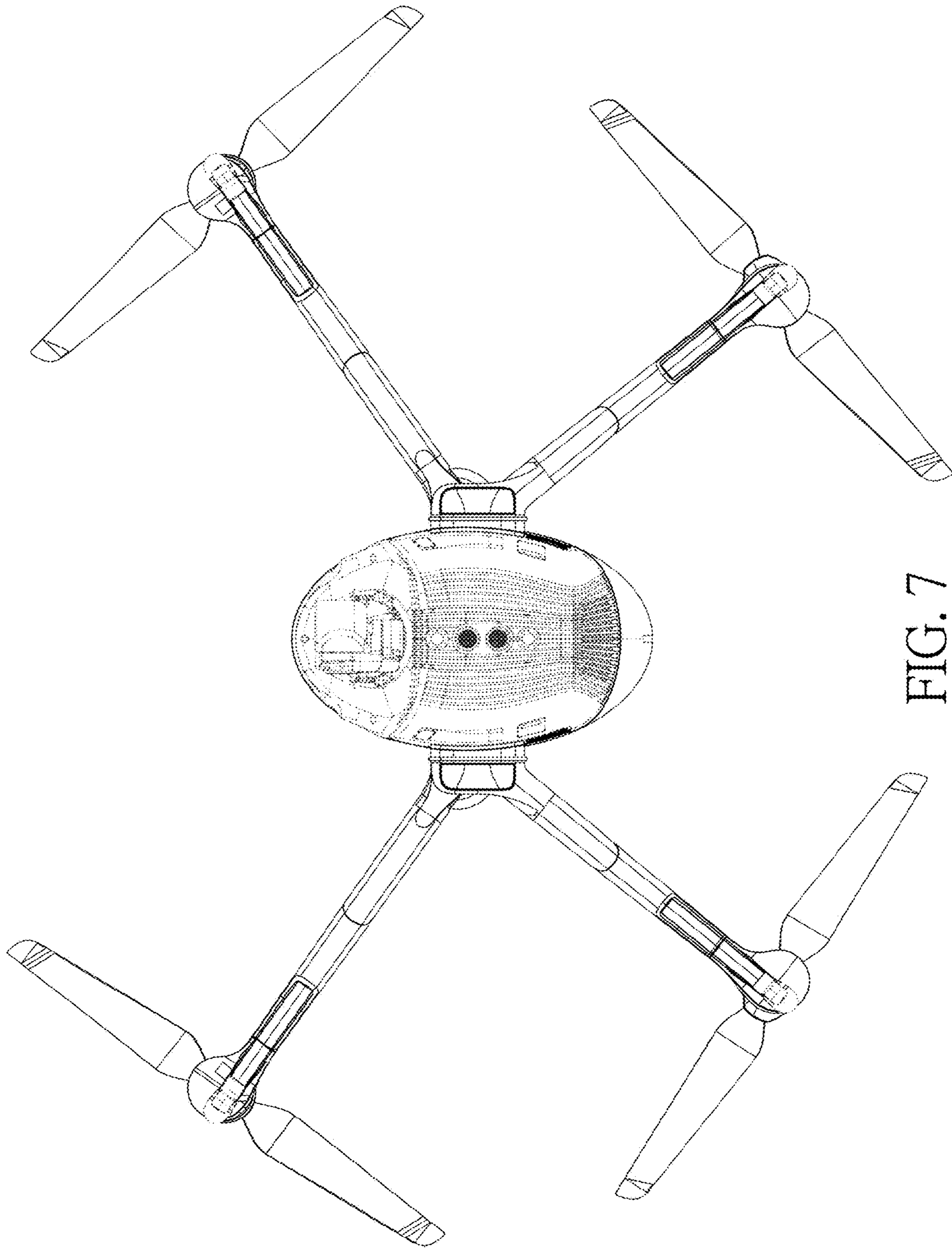


FIG. 7