



US00D927351S

(12) **United States Design Patent** (10) **Patent No.:** **US D927,351 S**
Hung (45) **Date of Patent:** **** Aug. 10, 2021**

(54) **TEETH FOR ZIPPER**

FOREIGN PATENT DOCUMENTS

(71) Applicant: **IDEAL FASTENER (GUANGDONG) INDUSTRIES LTD.**, Guangdong (CN)

CN 3350596 * 8/2003
CN 201730030651 * 1/2017
CN 201730093233.5 * 3/2017

(72) Inventor: **Franklin Chi Yen Hung**, Guangdong (CN)

OTHER PUBLICATIONS

(73) Assignee: **IDEAL FASTENER (GUANGDONG) INDUSTRIES LTD.**, Zhaoqing (CN)

Amazon, Beads4Crafts Heavy Duty Zipper, posted Jul. 10, 2015, [online], [visited Mar. 3, 2021]. Internet, <URL: https://www.amazon.co.uk/Beads4Crafts-BLACK-20-CHUNKY-POSTAGE/dp/B011CM0194/ref> (Year: 2015).*

(**) Term: **15 Years**

(21) Appl. No.: **29/670,603**

Primary Examiner — Sheryl Lane
Assistant Examiner — Samantha N Wood

(22) Filed: **Nov. 17, 2018**

(57) **CLAIM**

The ornamental design for a teeth for zipper, as shown and described.

Related U.S. Application Data

(62) Division of application No. 29/628,013, filed on Nov. 30, 2017, now Pat. No. Des. 845,831.

DESCRIPTION

(30) **Foreign Application Priority Data**

Jul. 14, 2017 (CN) 201730310173.8

(51) **LOC (13) Cl.** **02-07**

(52) **U.S. Cl.**
USPC **D11/221**

(58) **Field of Classification Search**
USPC D11/200–221; D2/641, 642; D8/33, 34, D8/40

FIG. 1 is a front elevational view of a teeth for zipper showing my new design;
FIG. 2 is a rear elevational view thereof;
FIG. 3 is a left side view thereof;
FIG. 4 is a right side view thereof;
FIG. 5 is a top plan view thereof;
FIG. 6 is a bottom plan view thereof;
FIG. 7 is a top, rear and right side perspective view thereof;
FIG. 8 is a bottom, rear and left side perspective view thereof;
FIG. 9 is a bottom, front and left side perspective view thereof;
FIG. 10 is a bottom perspective view showing the teeth for zipper in a use state; and,
FIG. 11 is a top perspective view showing the teeth for zipper in a use state.

(Continued)

(56) **References Cited**

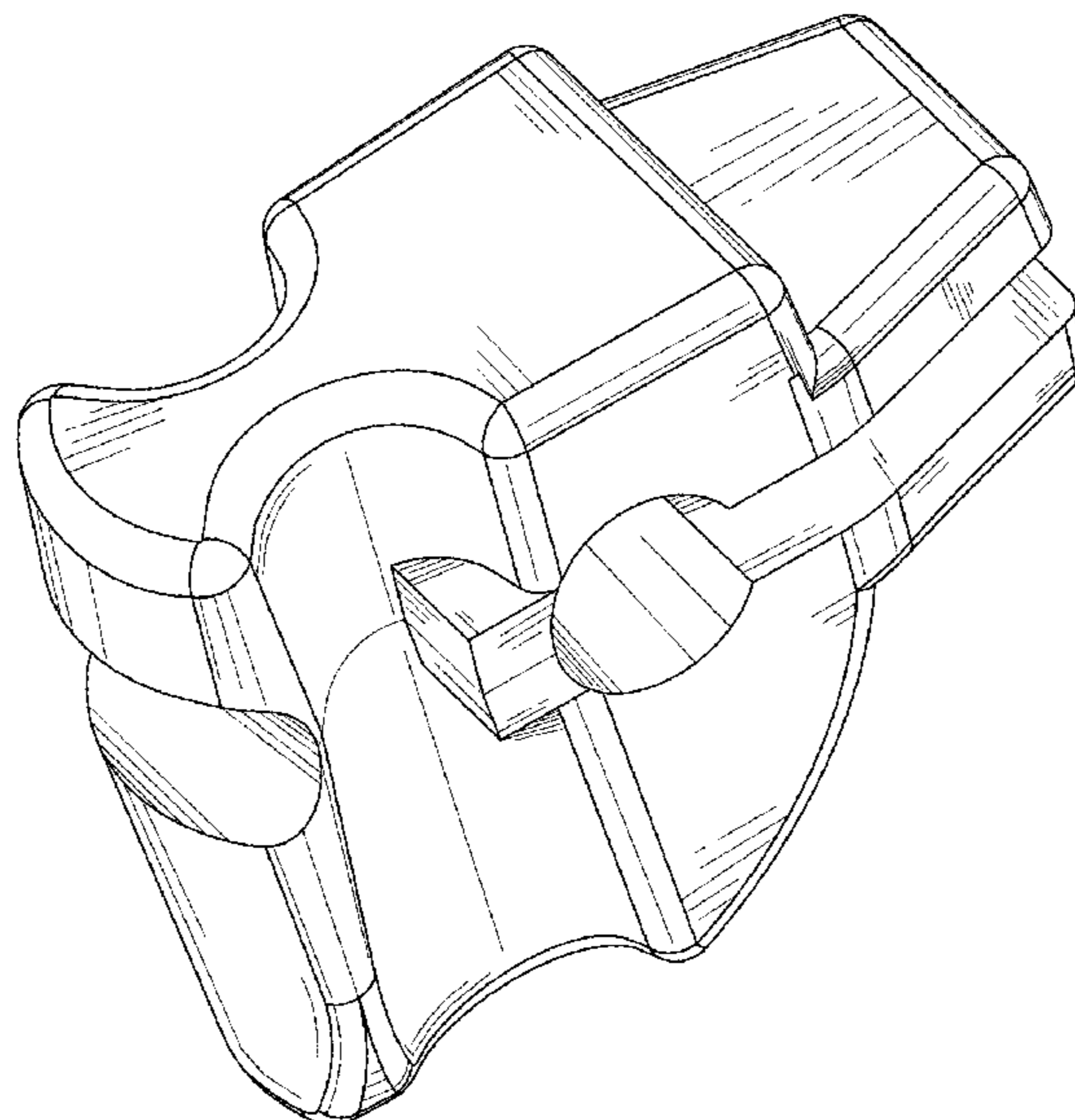
U.S. PATENT DOCUMENTS

2,660,774 A * 12/1953 Heimann A44B 19/04 24/412
4,040,150 A * 8/1977 Fukuroi A44B 19/06 24/410

The broken lines are included for the purpose of illustrating the environmental structure and forms no part of the claimed design.

(Continued)

1 Claim, 11 Drawing Sheets



(58) **Field of Classification Search**

CPC A44B 19/00; A44B 19/02; A44B 19/04;
A44B 19/10; A44B 19/06; A44B 19/08;
A44B 19/12; A44B 19/14; A44B 19/16;
A44B 19/24; A44B 19/26; A44B 19/30;
A44B 19/34; A44B 19/38; A44B 19/40;
A44B 19/52

See application file for complete search history.

(56) **References Cited**

U.S. PATENT DOCUMENTS

D252,896 S * 9/1979 Jovin 24/410
4,513,483 A * 4/1985 Kasai A44B 19/06
24/409
D657,287 S * 4/2012 Cheng D11/221
D712,785 S * 9/2014 Ng D11/221
D732,424 S * 6/2015 Ng D11/221
D732,425 S * 6/2015 Ng D11/221
D741,747 S * 10/2015 Ng D11/221
D820,728 S * 6/2018 Hung D11/221
D823,160 S * 7/2018 Zhang D11/221
2006/0000065 A1 * 1/2006 Takasawa A44B 19/06
24/401
2011/0265291 A1 * 11/2011 Kojima A44B 19/26
24/406
2017/0311684 A1 * 11/2017 Asami A44B 19/06

* cited by examiner

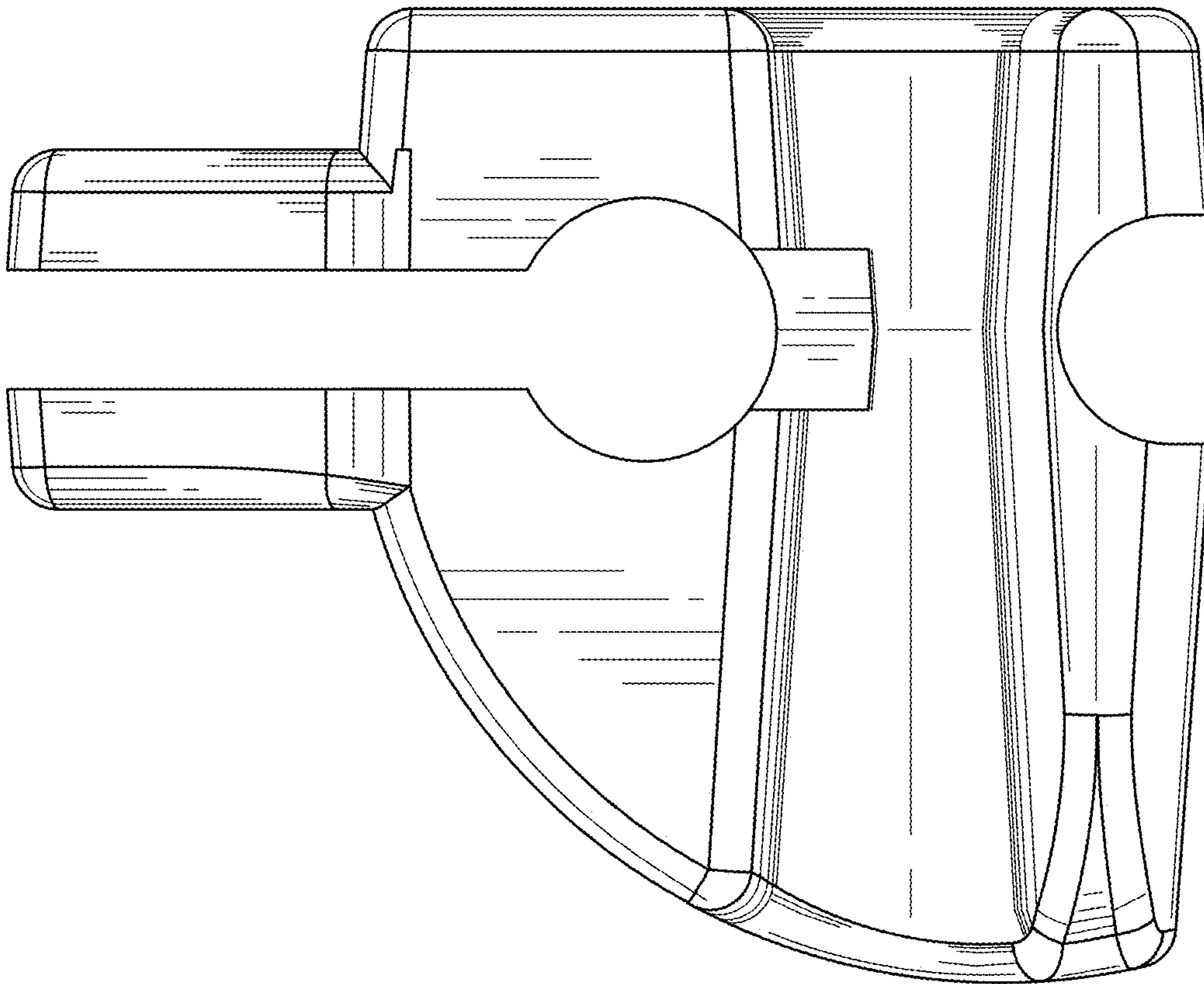


Fig. 1

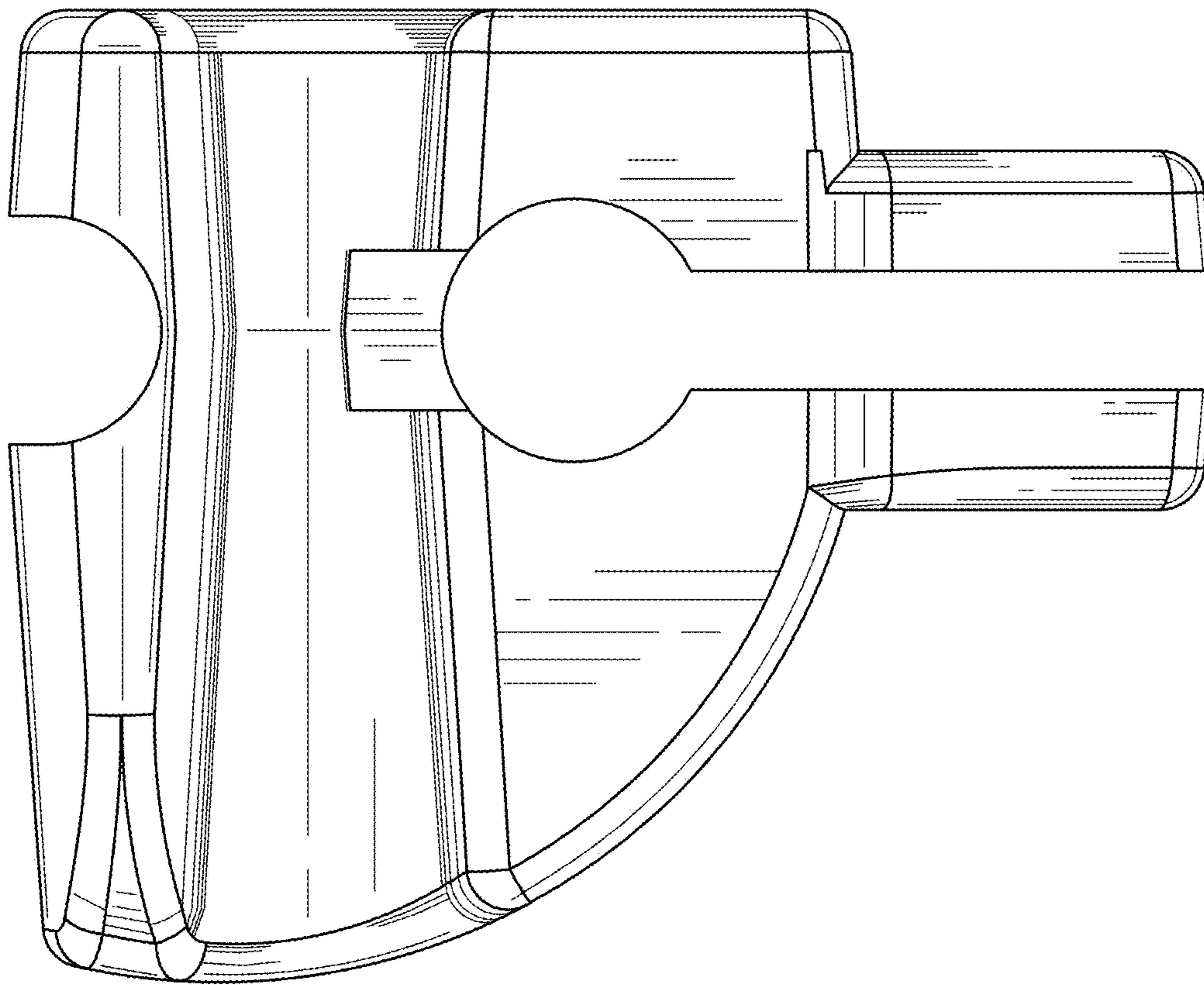


Fig. 2

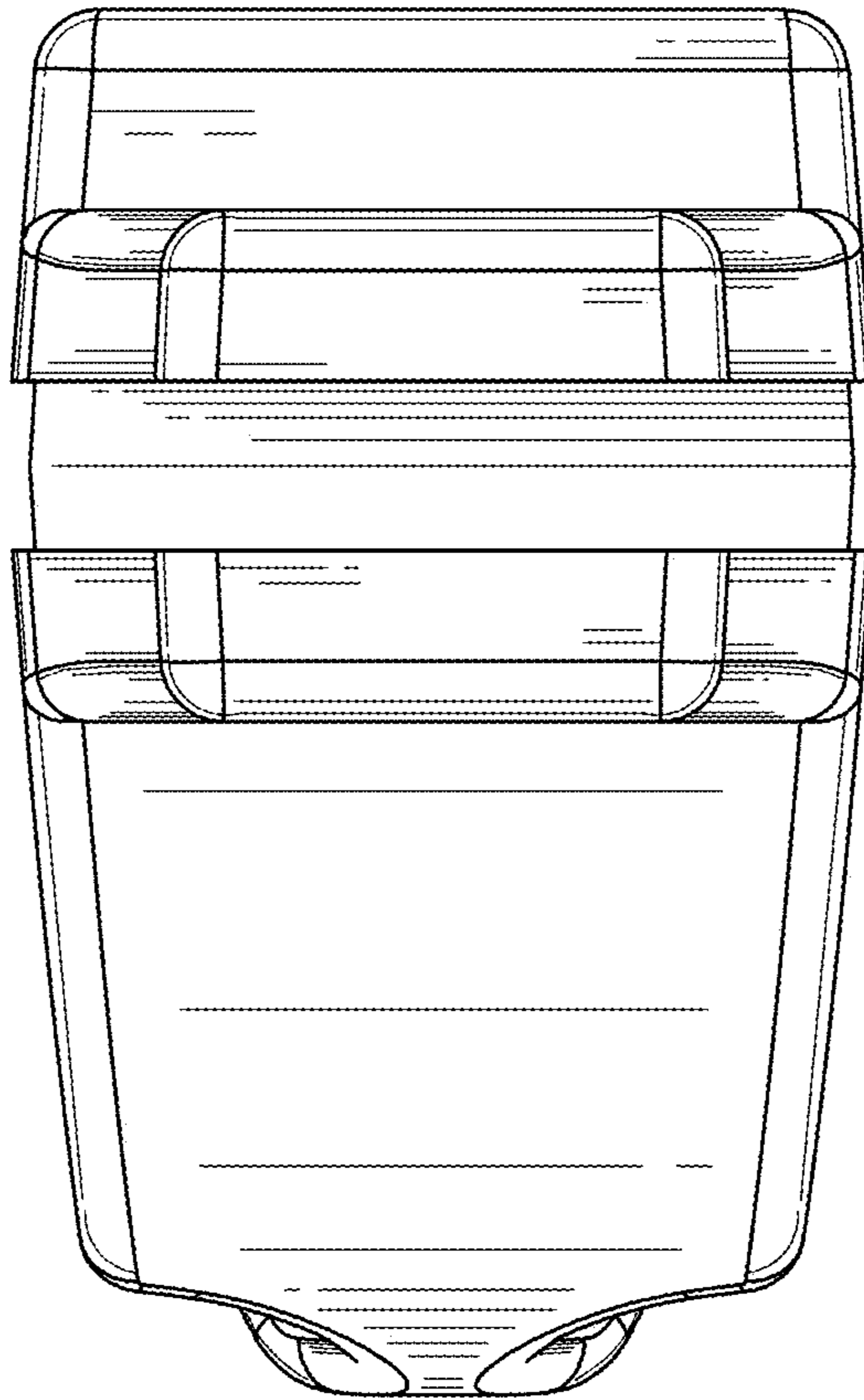


Fig. 3

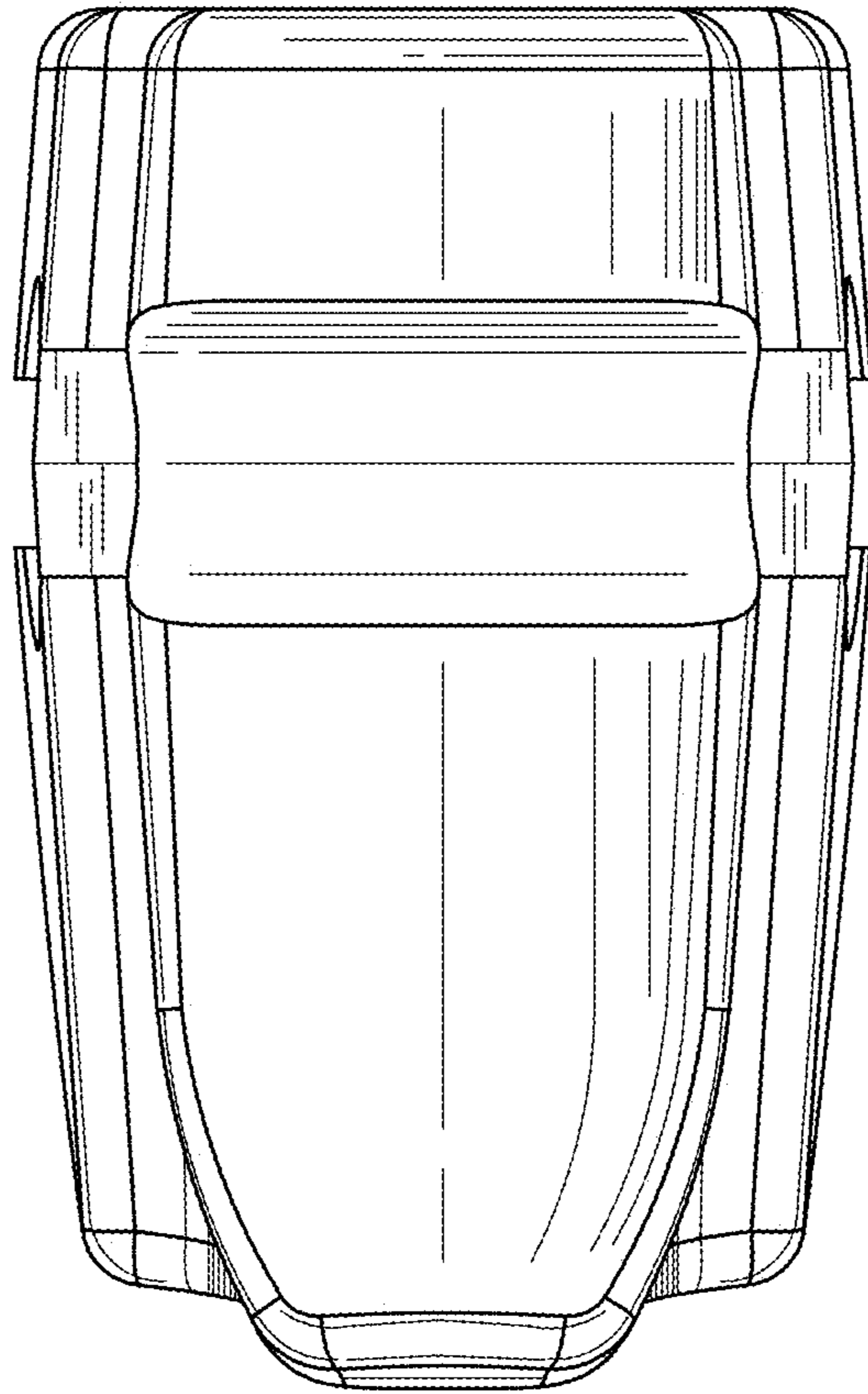


Fig. 4

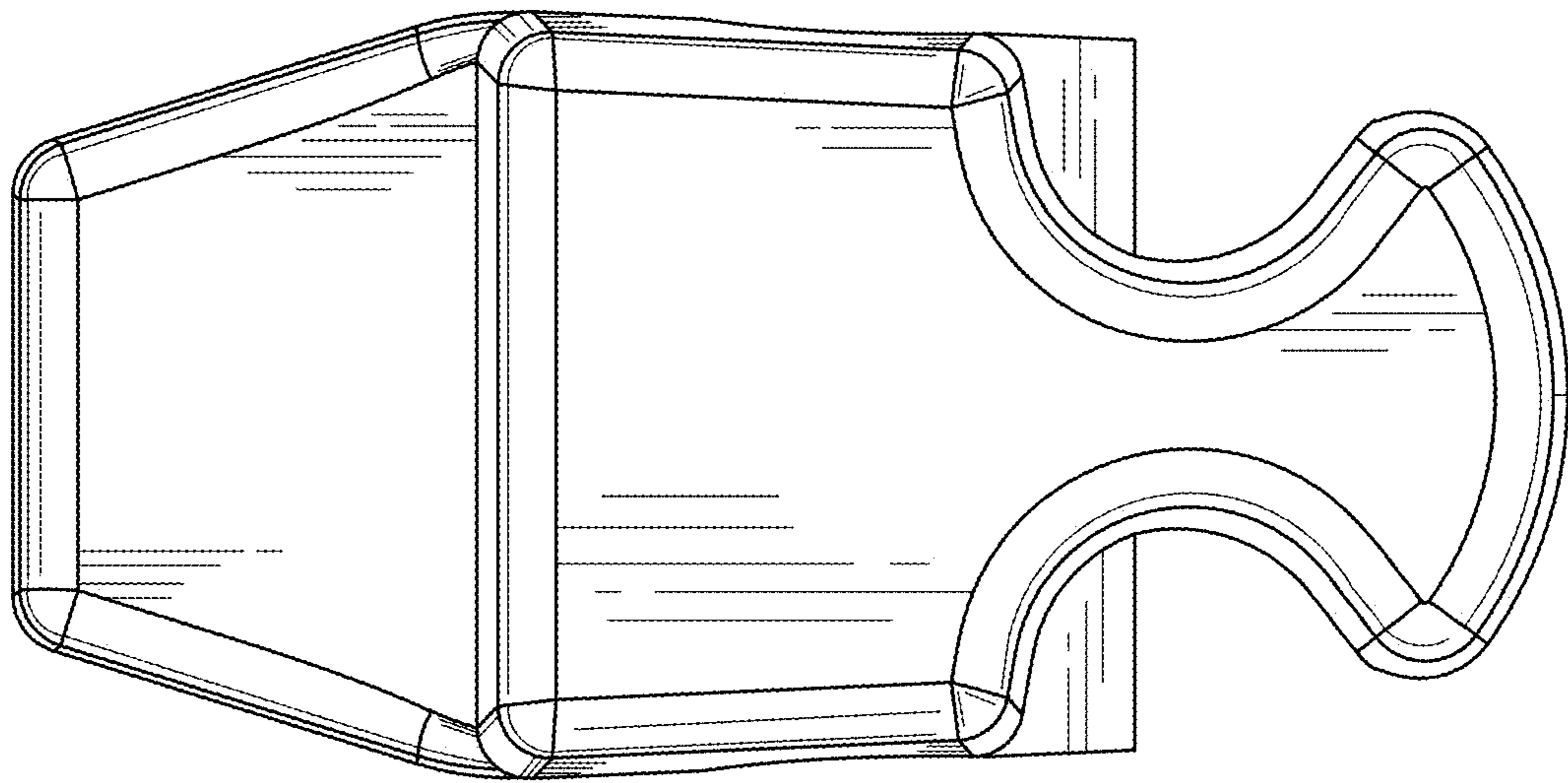


Fig. 5

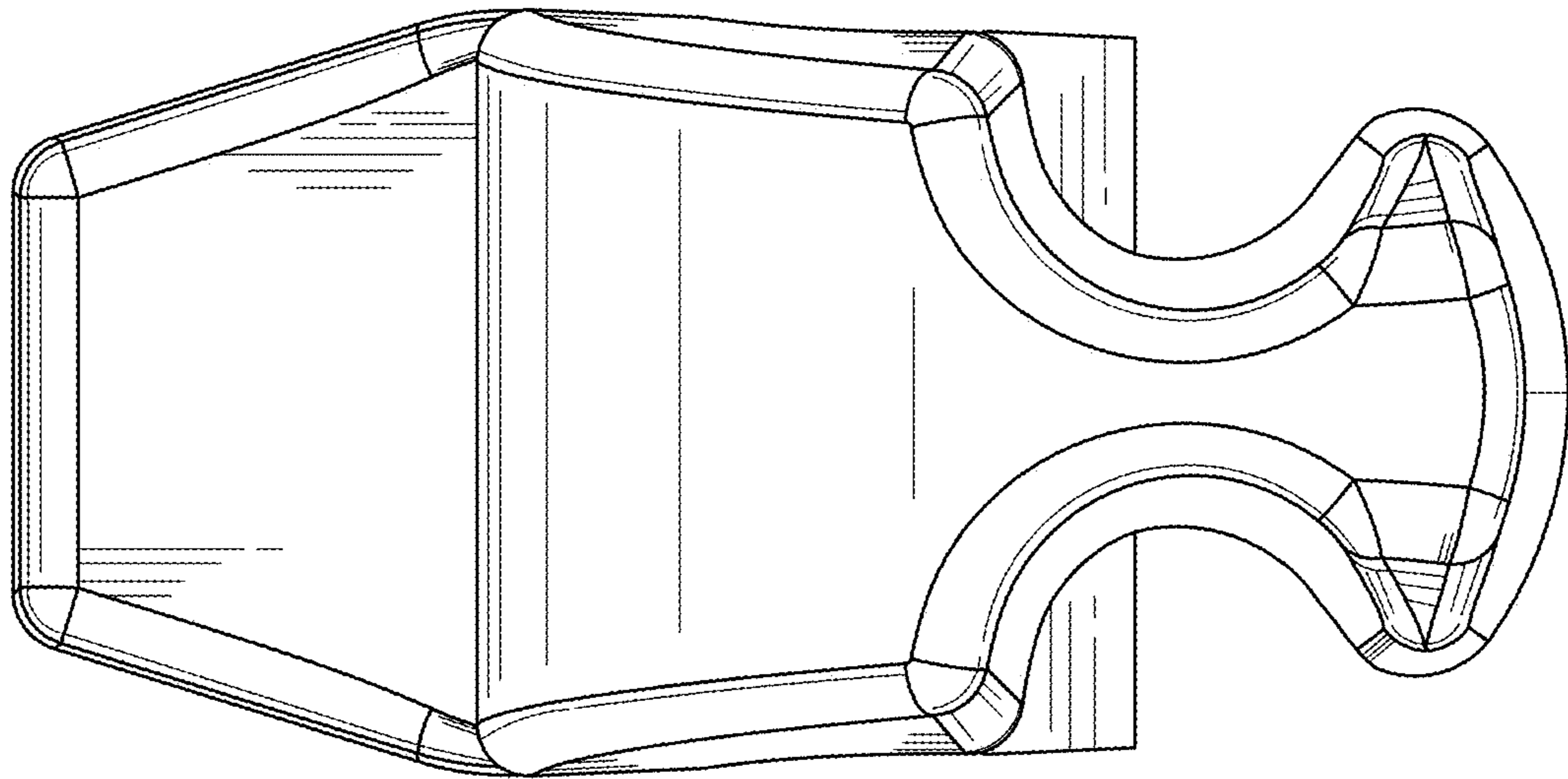


Fig. 6

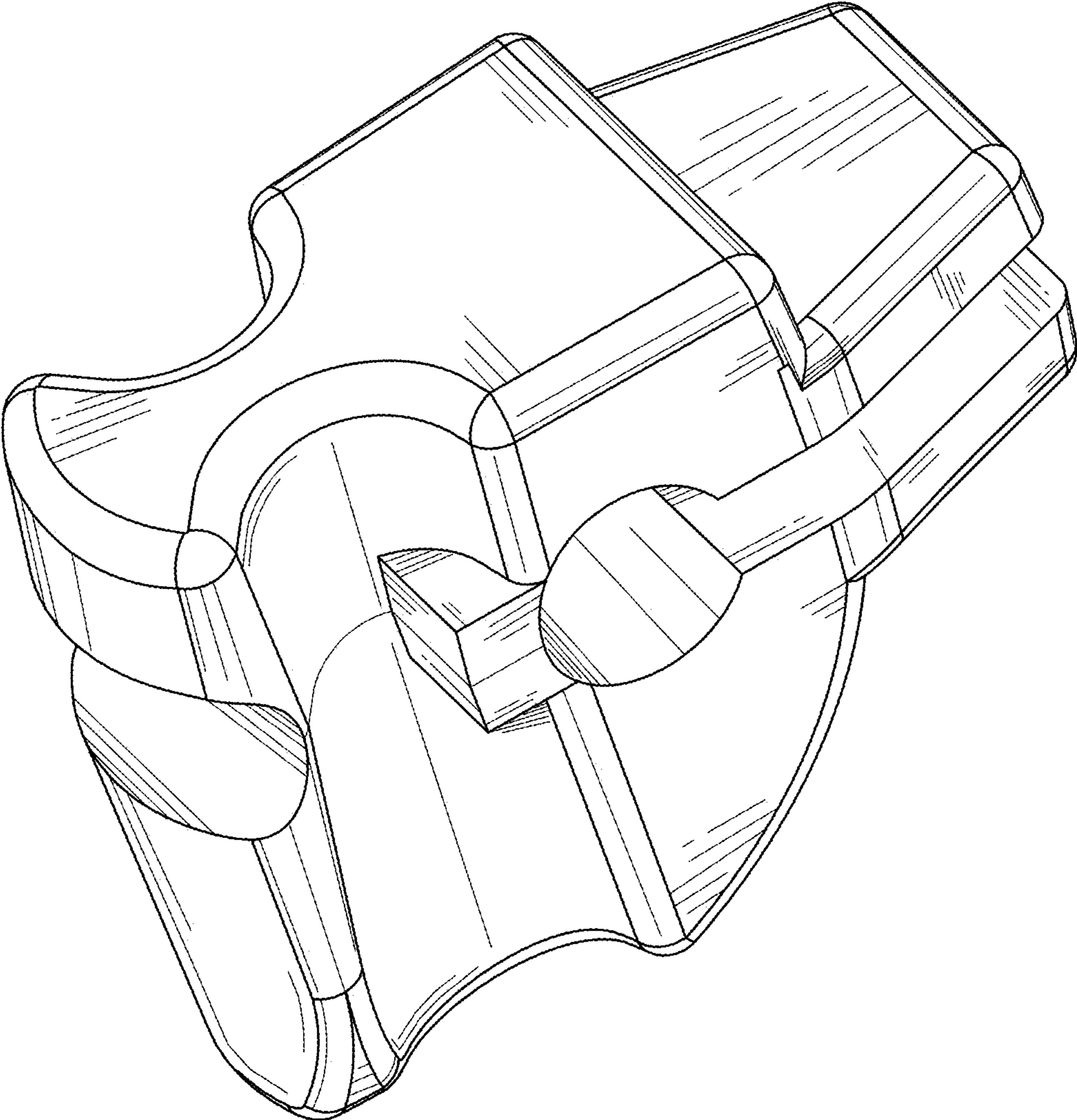


Fig. 7

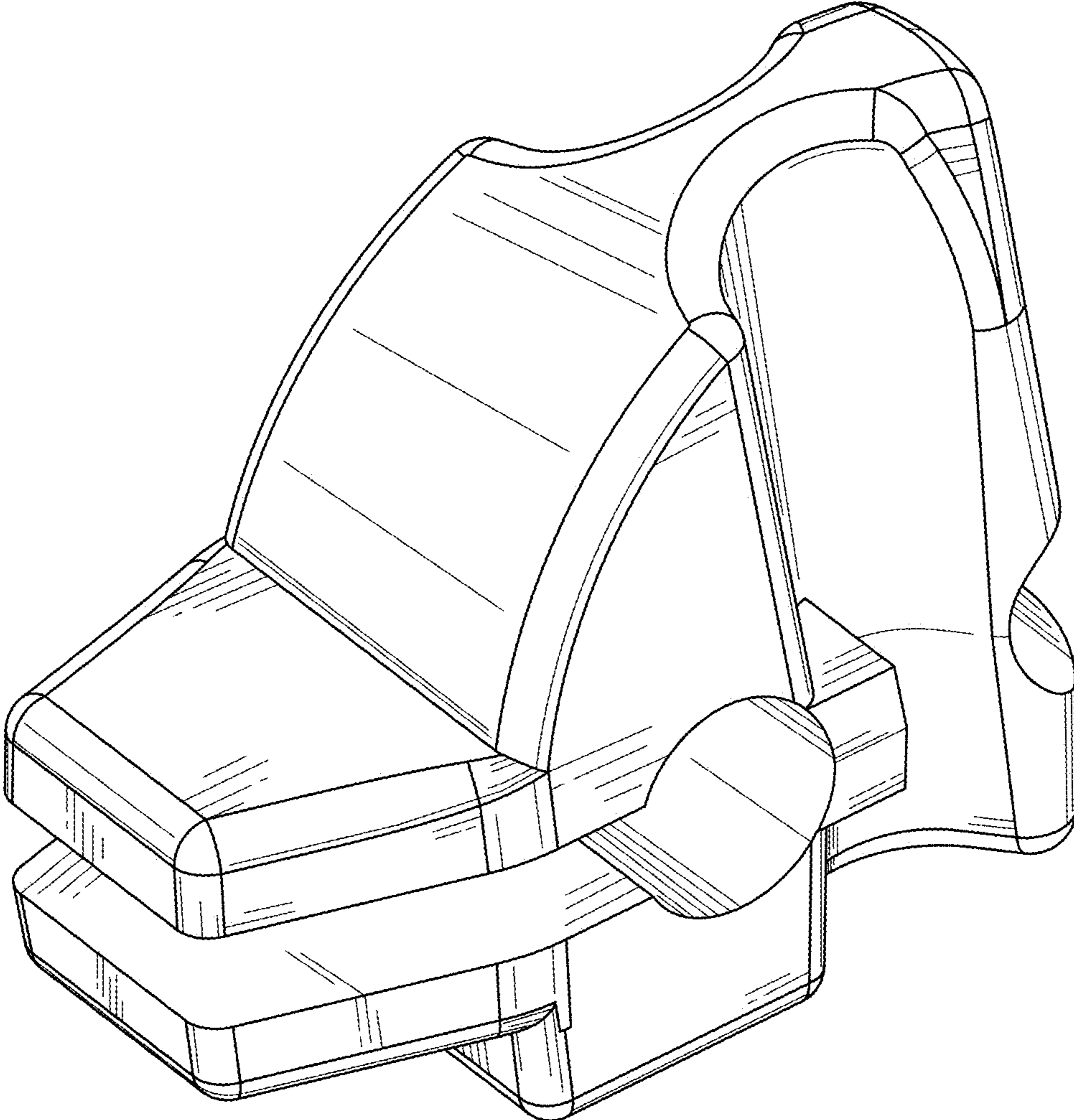


Fig. 8

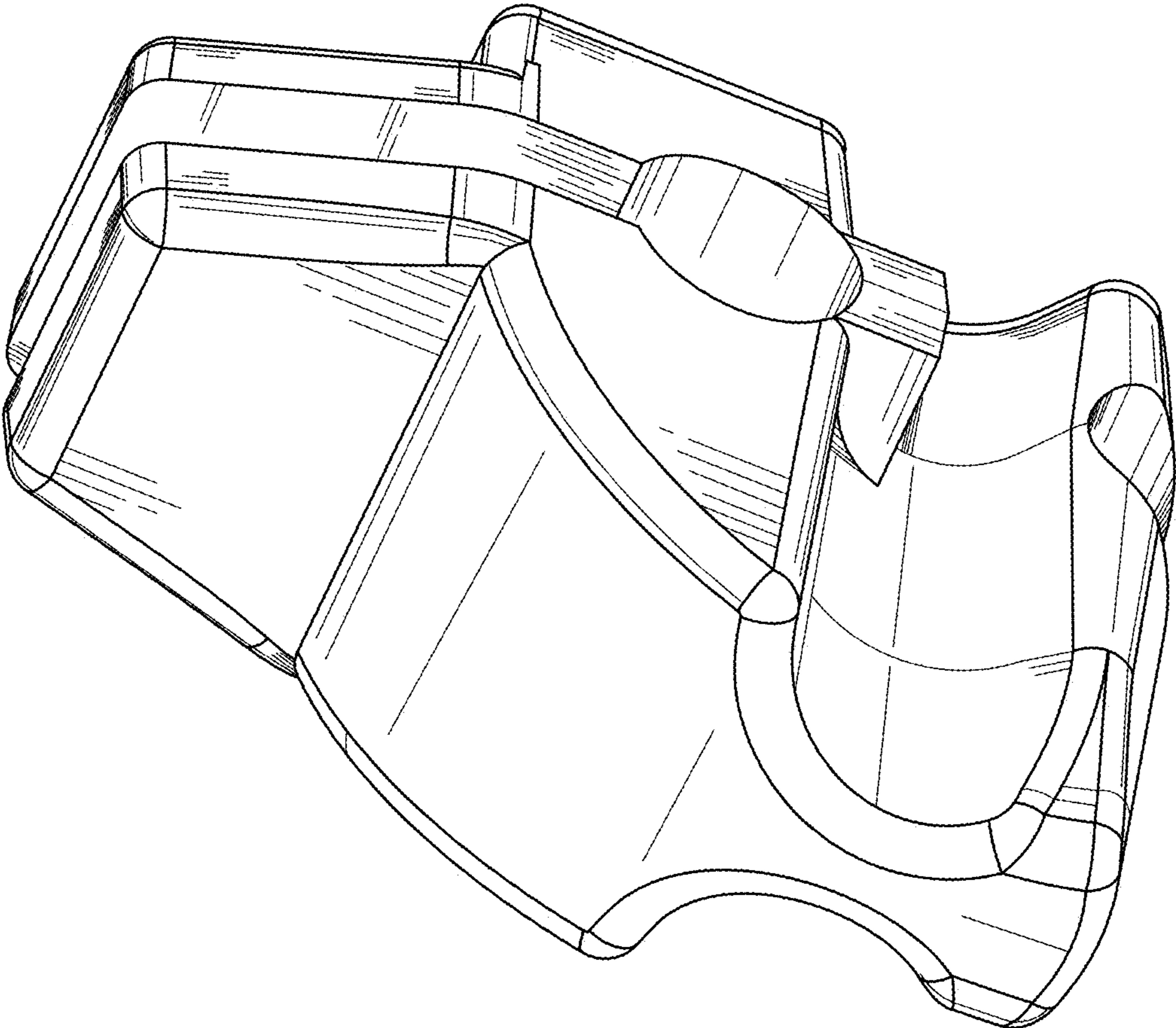


Fig. 9

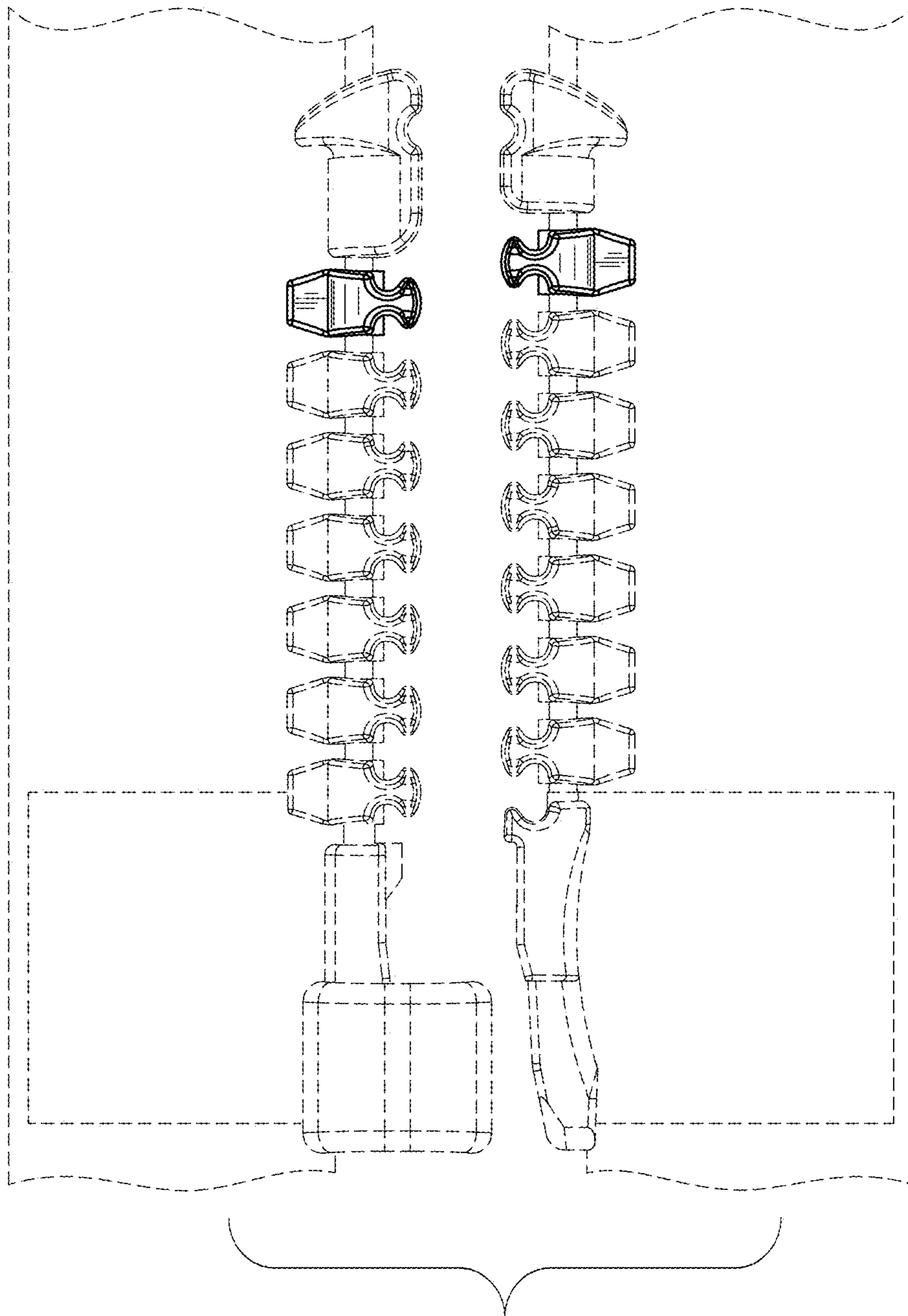


Fig. 10

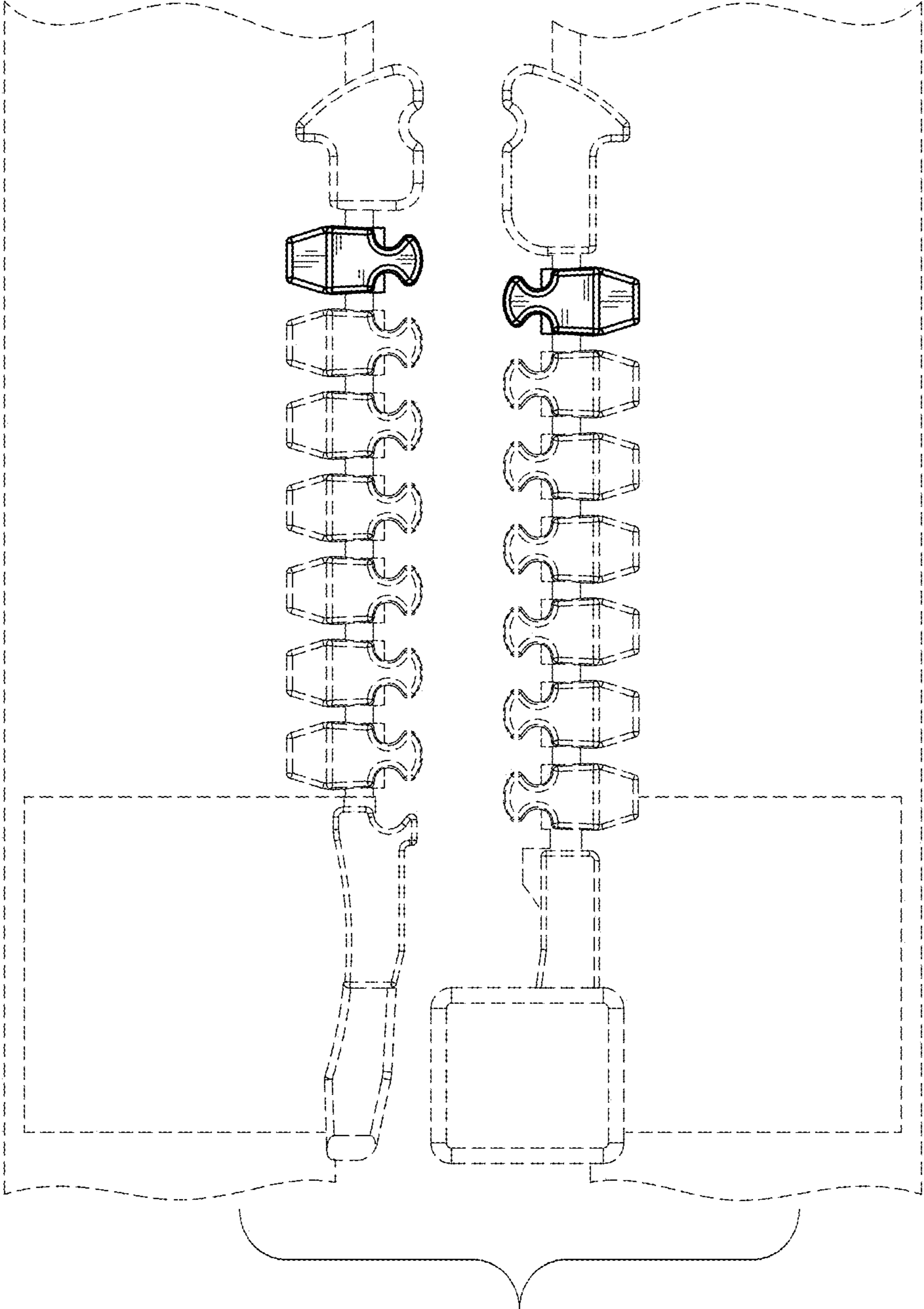


Fig. 11