



US00D927350S

(12) **United States Design Patent**  
**Zhan**

(10) **Patent No.:** **US D927,350 S**

(45) **Date of Patent:** **\*\* Aug. 10, 2021**

(54) **NURSERY POT**

(71) Applicant: **Danjing Zhan**, Puning (CN)

(72) Inventor: **Danjing Zhan**, Puning (CN)

(\*\*) Term: **15 Years**

(21) Appl. No.: **29/760,668**

(22) Filed: **Dec. 3, 2020**

(51) **LOC (13) Cl.** ..... **11-02**

(52) **U.S. Cl.**  
USPC ..... **D11/152**

(58) **Field of Classification Search**  
USPC ..... D11/143–156, 164  
CPC ..... A01G 9/02; A01G 9/029; A01G 9/0293;  
A01G 2009/003; A01G 13/0243; A01G  
13/04

See application file for complete search history.

(56) **References Cited**

**U.S. PATENT DOCUMENTS**

- 1,942,477 A \* 1/1934 Nelson ..... A01G 9/14  
47/17
- 2,632,286 A \* 3/1953 Newhall ..... A01G 5/00  
47/41.12
- D170,158 S \* 8/1953 Jones et al. .... D11/145
- D190,738 S \* 6/1961 Sharp ..... D11/117
- 3,704,545 A \* 12/1972 Van Reisen ..... A01G 9/02  
47/69
- 3,869,828 A \* 3/1975 Matsumoto ..... A01G 9/02  
47/84
- 3,896,587 A \* 7/1975 Insalaco ..... A01G 9/021  
47/65.5
- D237,431 S \* 11/1975 Dean ..... D6/661.3
- 4,143,191 A \* 3/1979 Chavis ..... A01G 5/00  
428/13
- D261,048 S \* 9/1981 Price ..... D26/24
- D335,003 S \* 4/1993 O'Connell ..... D11/145
- D368,234 S \* 3/1996 Dickinson ..... D11/152
- D386,112 S \* 11/1997 Wolf ..... D11/131
- D409,945 S \* 5/1999 Hensen ..... D11/152

- 6,119,394 A \* 9/2000 Fowler ..... A01G 13/04  
47/29.2
- 6,134,832 A \* 10/2000 Bokmiller ..... A01G 9/021  
206/509
- D483,690 S \* 12/2003 Sieverding ..... D11/152
- D502,669 S \* 3/2005 Smith ..... D11/155
- D512,310 S \* 12/2005 Hite ..... D9/436
- D544,813 S \* 6/2007 Schmidt ..... D11/151
- D596,527 S \* 7/2009 Kertz ..... D11/145
- D612,924 S \* 3/2010 Jorgensen ..... D23/366
- D622,615 S \* 8/2010 Tune ..... D9/716

(Continued)

**OTHER PUBLICATIONS**

MIXC Plant Nursery Pots with Humidity Dome, 661 ratings, ASIN: B08HYXHWKK, online of Amazon.com, Date First Available: Sep. 14, 2020.\*

*Primary Examiner* — Elizabeth A. Albert

(57) **CLAIM**

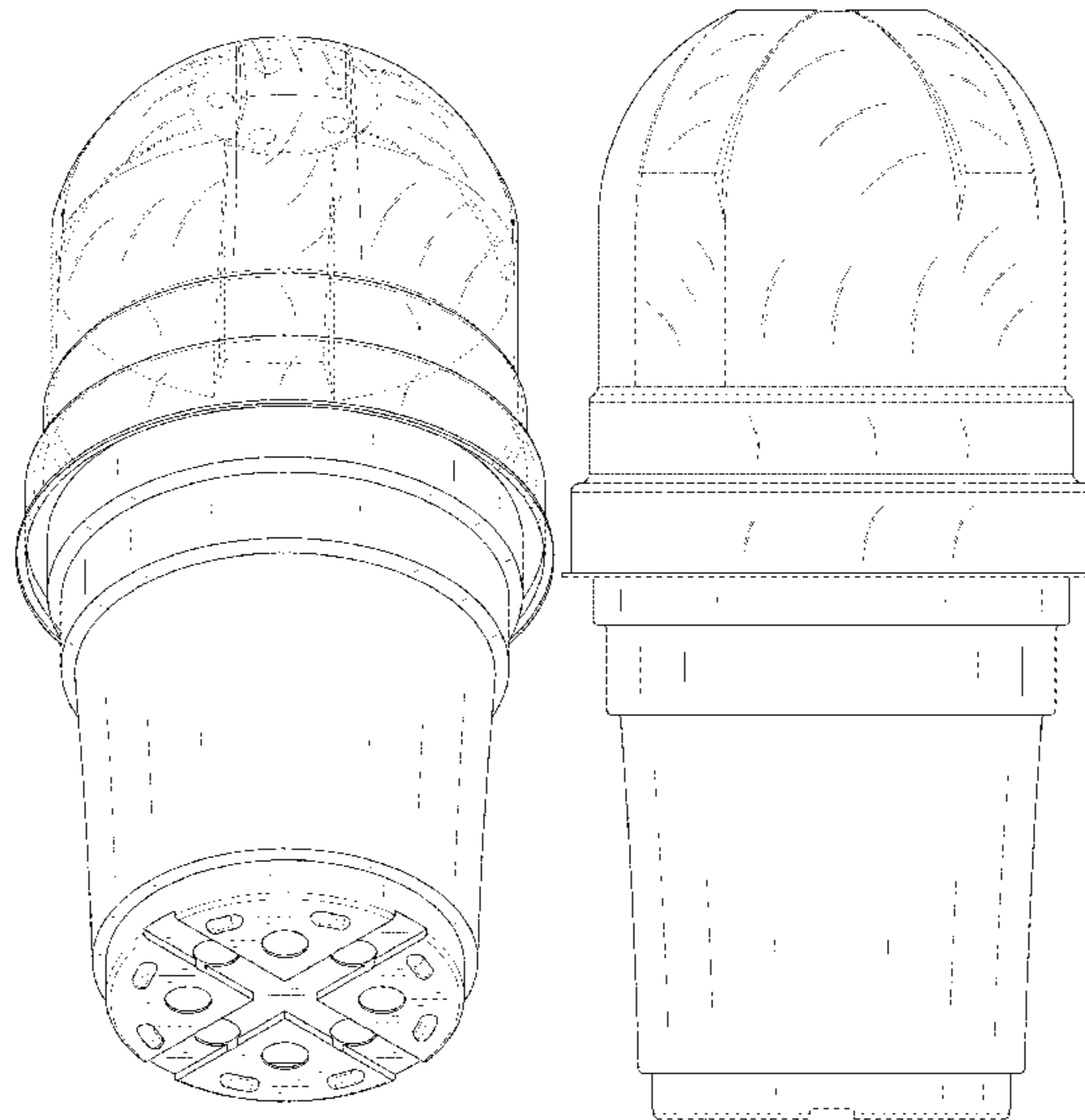
The ornamental design for a nursery pot, as shown and described.

**DESCRIPTION**

FIG. 1 is a first perspective view of a nursery pot showing my new design;  
 FIG. 2 is a second perspective view thereof;  
 FIG. 3 is a front view thereof;  
 FIG. 4 is a back view thereof;  
 FIG. 5 is a left side view thereof;  
 FIG. 6 is a right side view thereof;  
 FIG. 7 is a top view thereof;  
 FIG. 8 is a bottom view thereof; and,  
 FIG. 9 is a perspective view of another state of the nursery pot thereof.

The broken lines shown in the drawings depict portions of the nursery pot in which the design is embodied that form no part of the claimed design.

**1 Claim, 9 Drawing Sheets**



(56)

**References Cited**

U.S. PATENT DOCUMENTS

8,434,261	B2 *	5/2013	Nobbe	.....	A01G 9/021 47/65.7
D700,839	S *	3/2014	O'Brien	.....	D9/429
D715,649	S *	10/2014	O'Brien	.....	D9/500
D722,526	S	2/2015	Forester		
9,572,303	B2 *	2/2017	Salojarvi	.....	A01G 7/045
D798,718	S *	10/2017	Foster	.....	D9/500
D800,886	S *	10/2017	Lin	.....	D23/366
D834,993	S	12/2018	Krus		
D904,224	S	12/2020	Springer, Jr. et al.		
2008/0276531	A1 *	11/2008	Smith	.....	A01G 9/006 47/86

\* cited by examiner

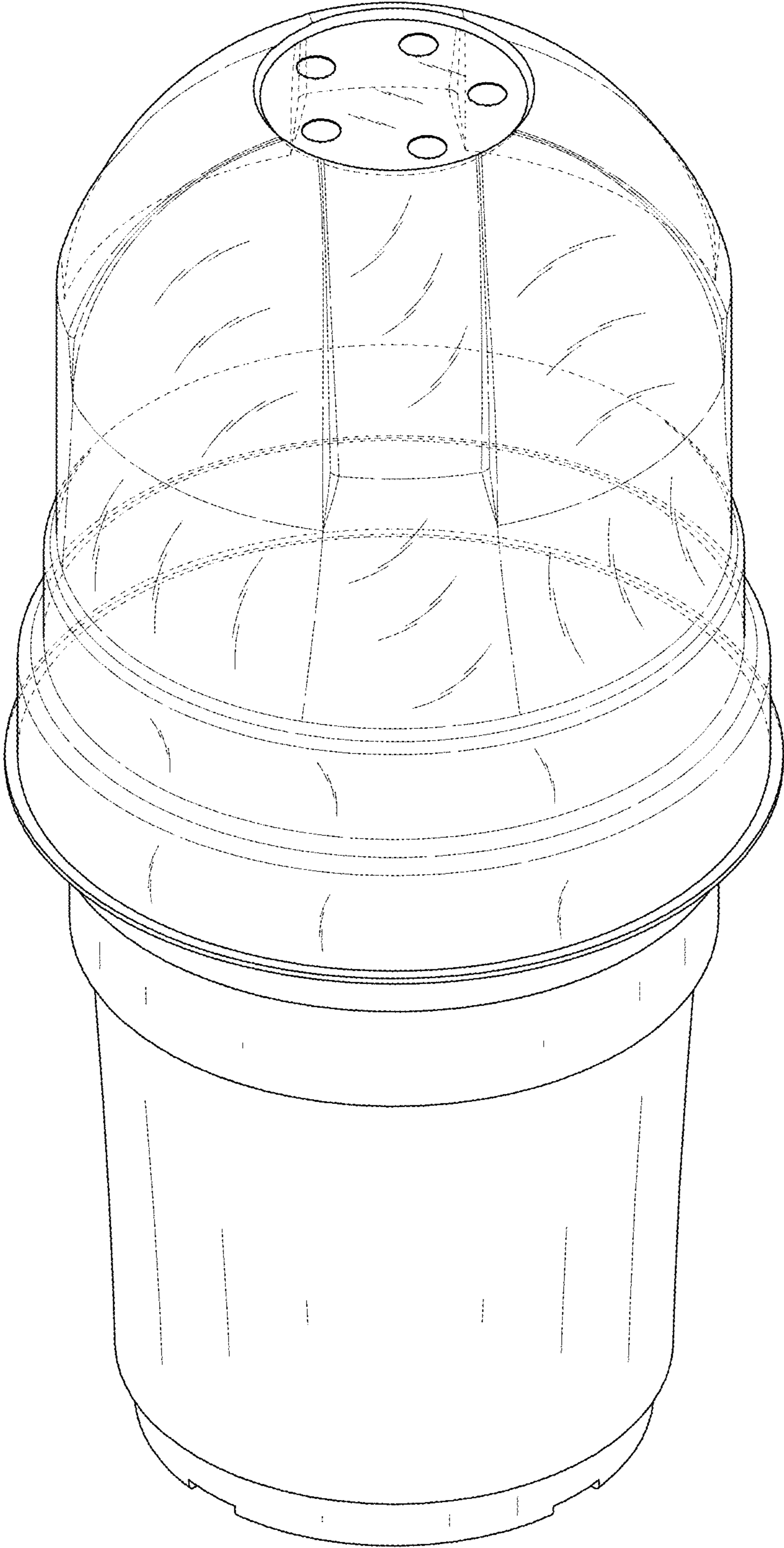


FIG. 1

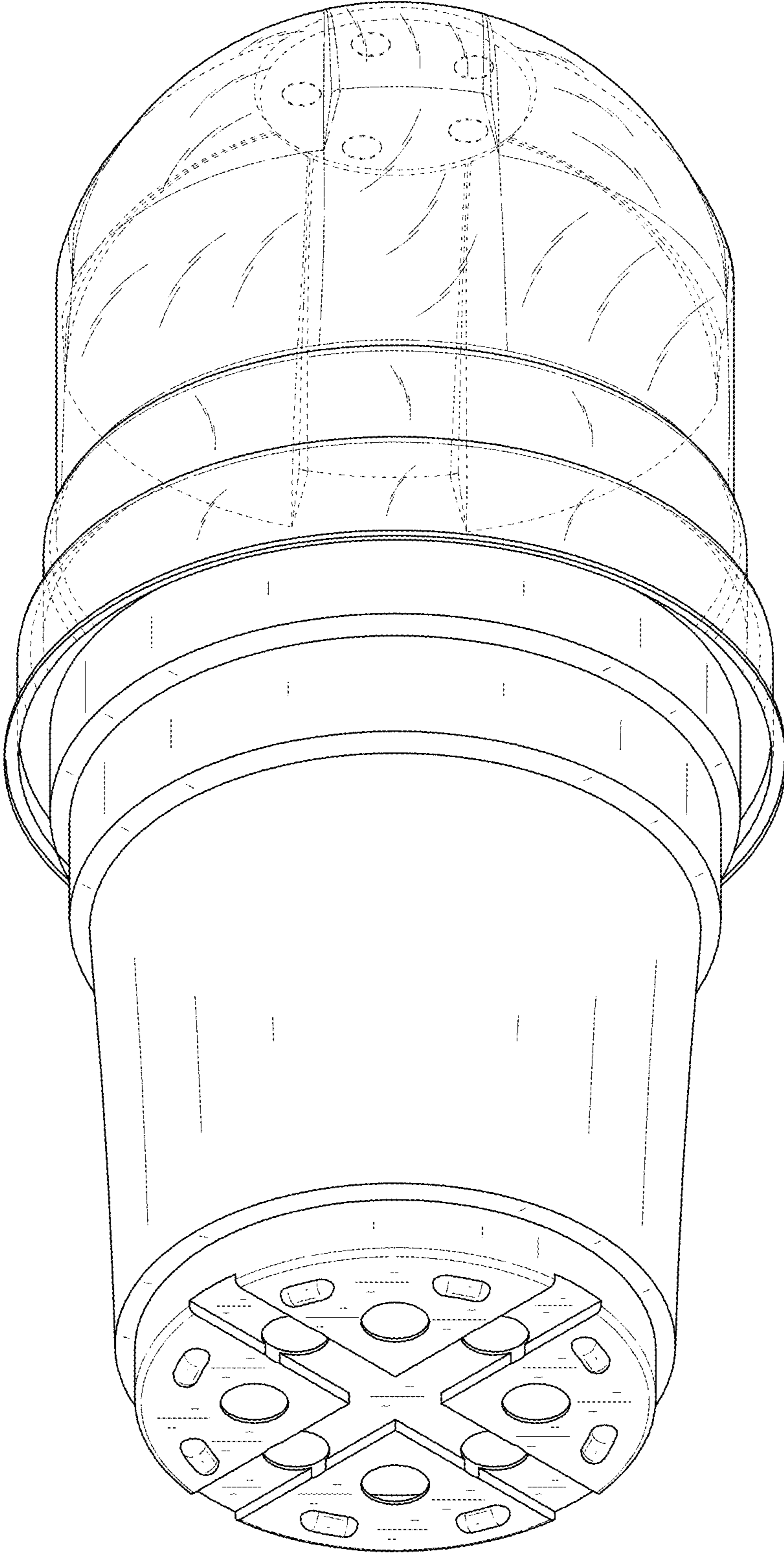


FIG. 2



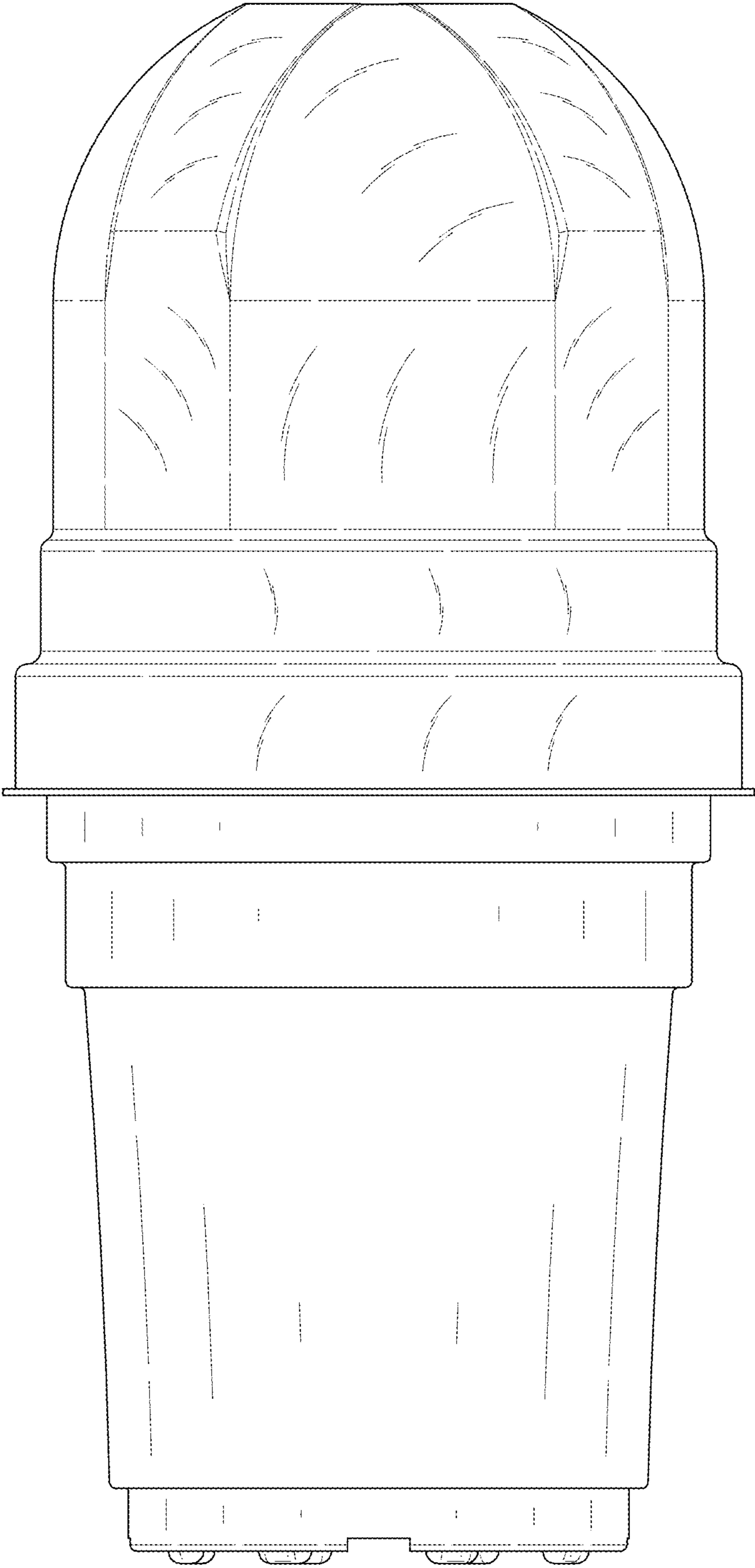


FIG. 3

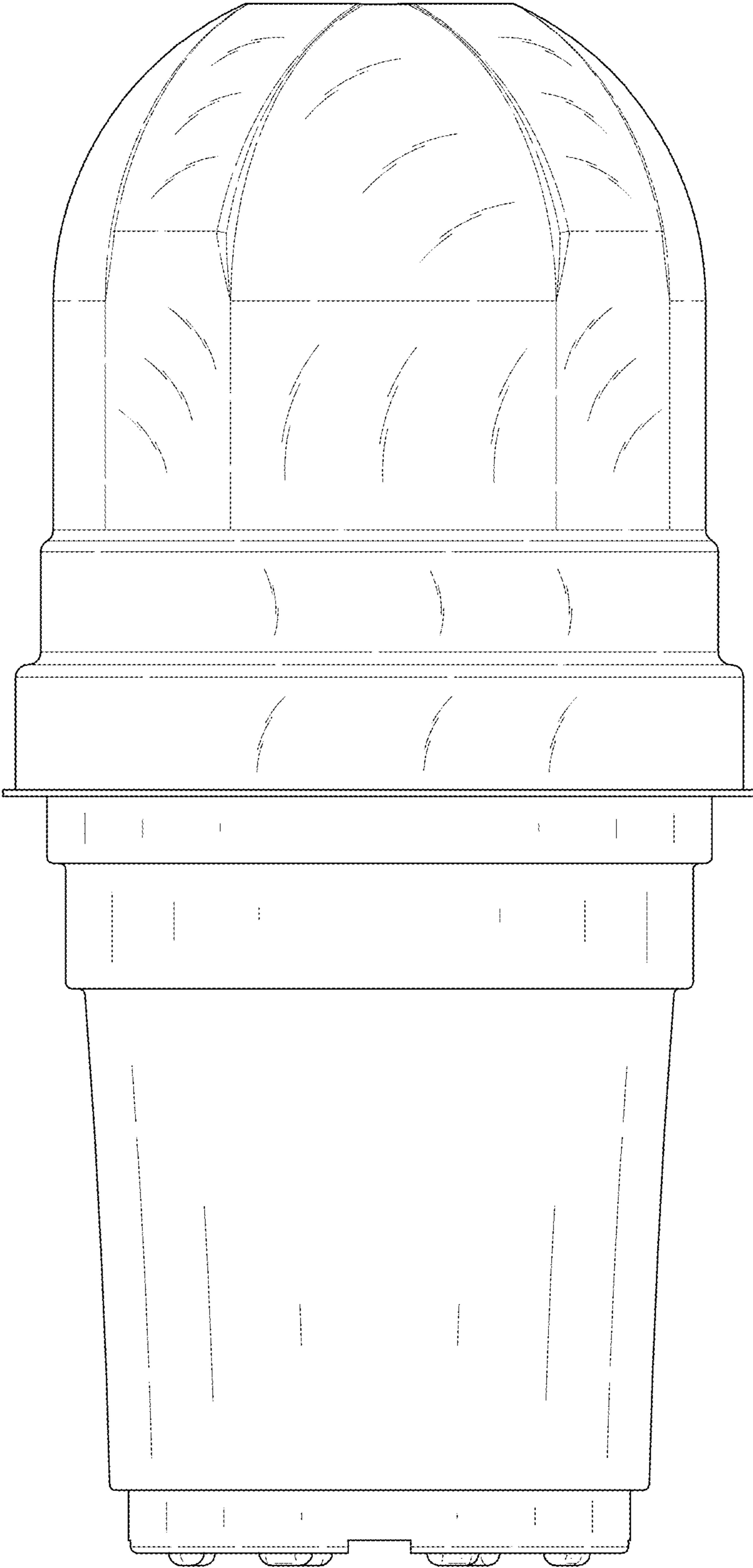


FIG. 4

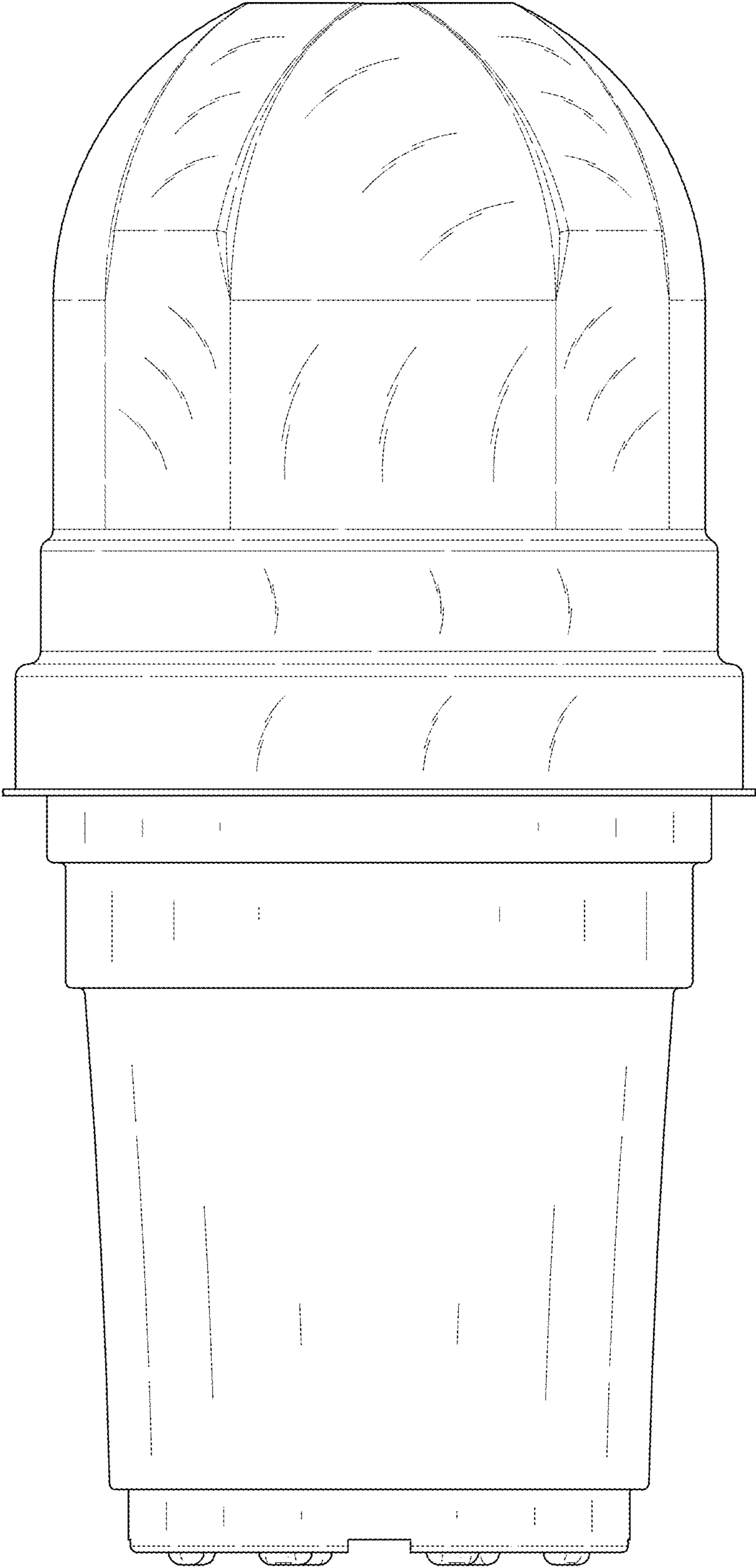


FIG. 5

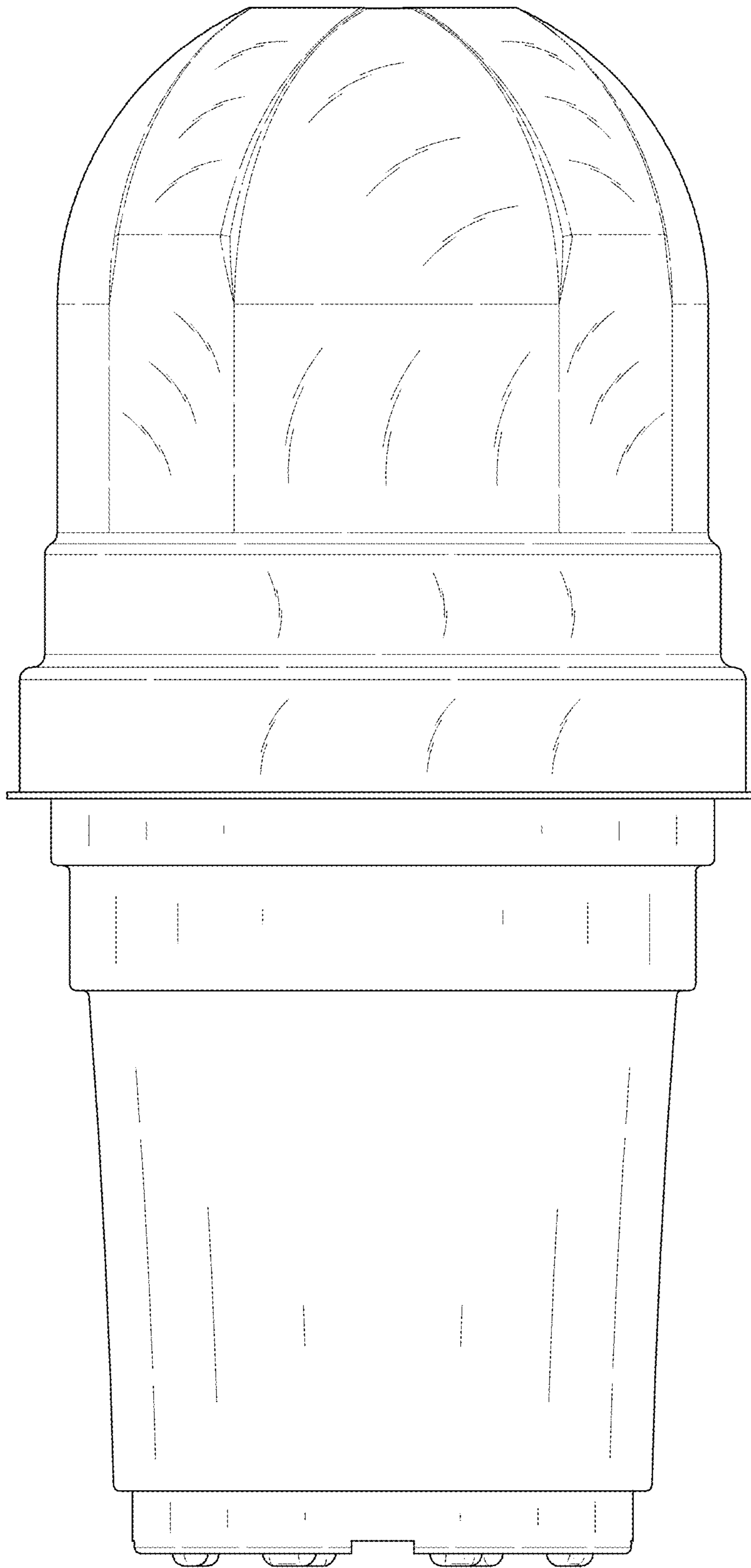


FIG. 6



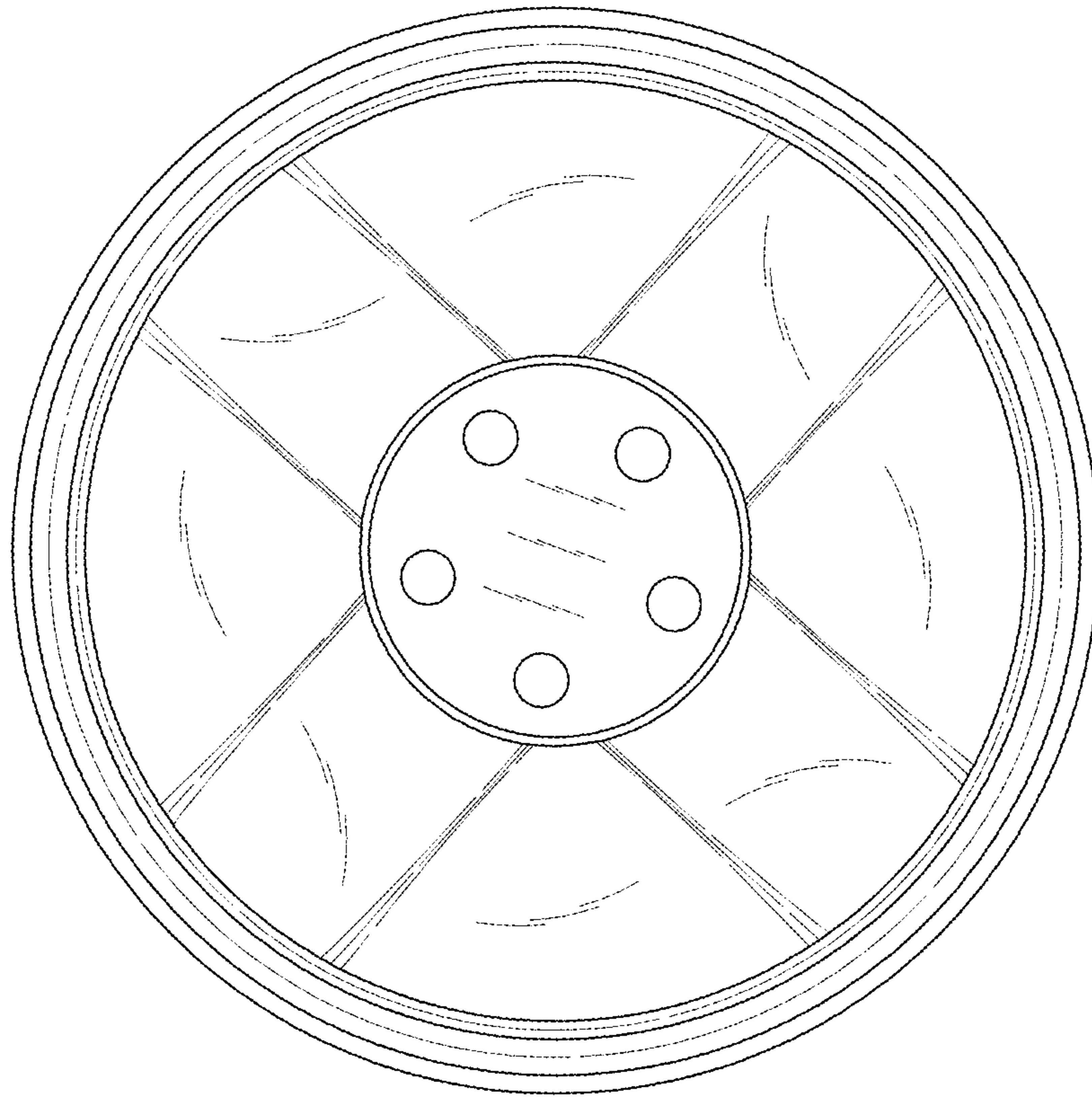


FIG. 7

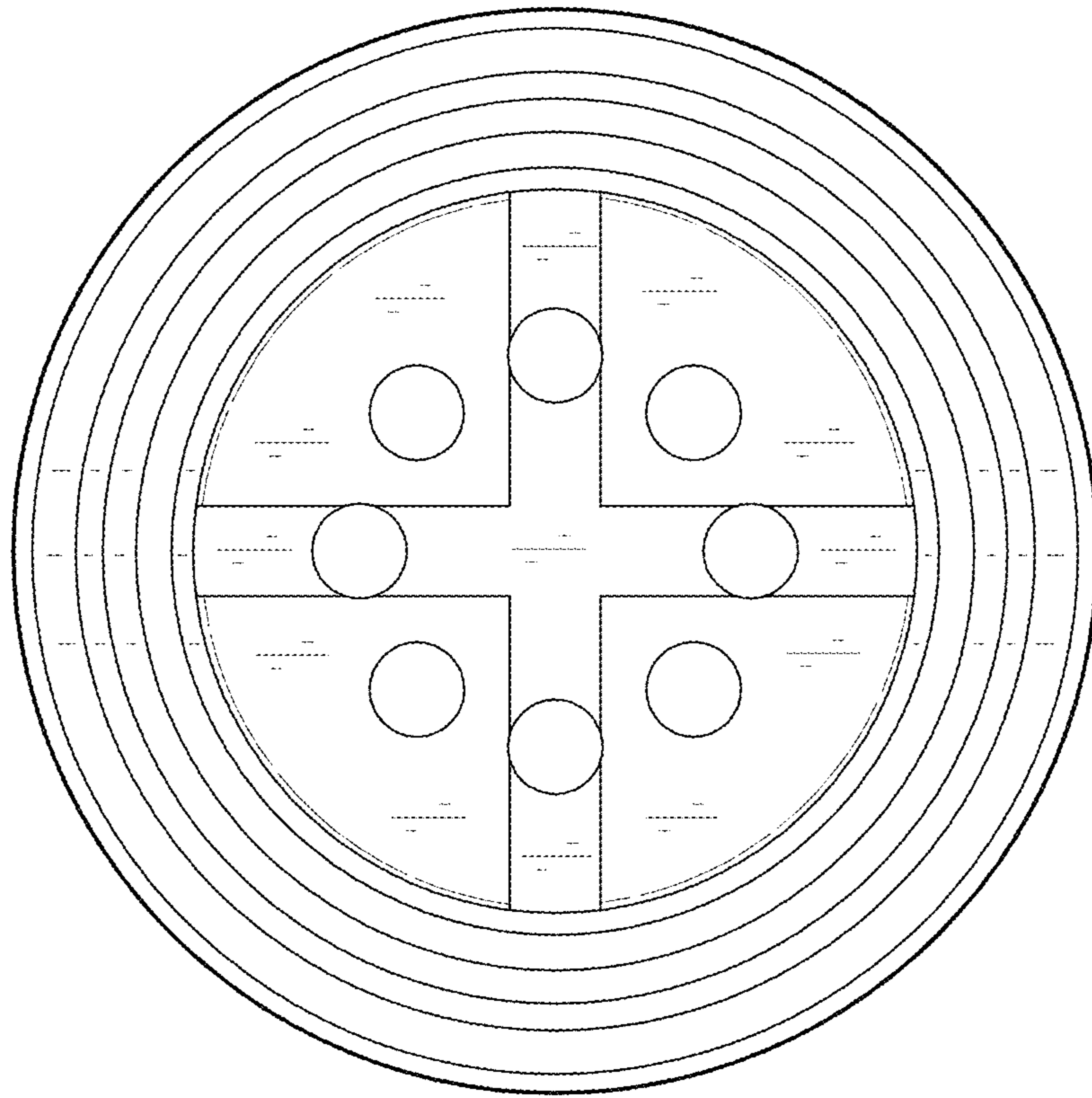


FIG. 8

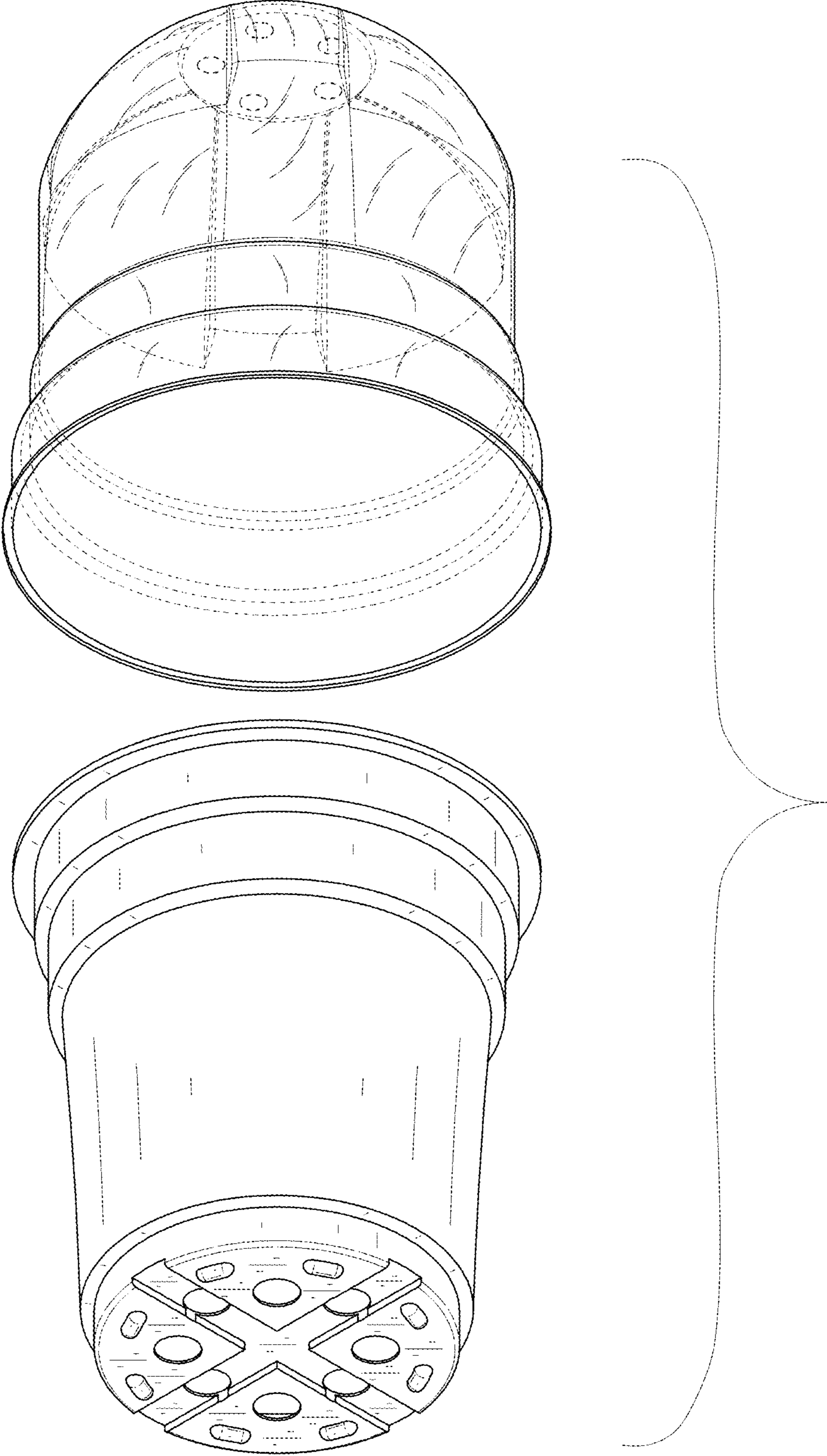


FIG. 9