



US00D927347S

(12) **United States Design Patent** (10) **Patent No.:** **US D927,347 S**  
**Surana** (45) **Date of Patent:** **\*\* Aug. 10, 2021**

(54) **JEWELRY COMPONENT**  
(71) Applicant: **UNI-DESIGN HONG KONG LIMITED**, Kowloon (HK)  
(72) Inventor: **Girshkumar Hirachand Surana**, Kowloon (HK)  
(73) Assignee: **Surana Brothers IP Holdings Limited**, Hung Hom Kowloon (HK)  
(\*\*) Term: **15 Years**  
(21) Appl. No.: **29/649,193**  
(22) Filed: **May 28, 2018**  
(30) **Foreign Application Priority Data**  
Mar. 12, 2018 (HK) ..... 1800438.8  
Mar. 14, 2018 (CN) ..... 201830094020.9

D654,394 S \* 2/2012 Kothari ..... D11/91  
D680,897 S \* 4/2013 Li ..... D11/91  
D684,886 S \* 6/2013 Wein ..... D11/91  
D684,887 S \* 6/2013 Wein ..... D11/91  
D687,337 S \* 8/2013 Kothari ..... D11/91  
D693,726 S \* 11/2013 Kothari ..... D11/91  
D697,831 S \* 1/2014 Dholakiya ..... D11/91  
D699,621 S \* 2/2014 Kothari ..... D11/91  
D703,090 S \* 4/2014 Dholakiya ..... D11/91  
D703,091 S \* 4/2014 Dholakiya ..... D11/91  
D709,403 S \* 7/2014 Sanghvi ..... D11/91  
D718,181 S \* 11/2014 Kothari ..... D11/92  
D754,024 S \* 4/2016 Yep ..... D11/92  
D755,665 S \* 5/2016 Krainz ..... D11/91  
D776,560 S \* 1/2017 Doshi ..... D11/91  
D791,012 S \* 7/2017 Krainz ..... D11/91  
9,756,909 B1 \* 9/2017 Bonner ..... A44C 17/0233  
D824,798 S \* 8/2018 Matatov ..... D11/91  
D824,799 S \* 8/2018 Sallard ..... D11/91  
D828,781 S \* 9/2018 Bhansali ..... D11/91  
D829,125 S \* 9/2018 Bhansali ..... D11/91

(Continued)

Primary Examiner — Llorellys Martinez

(51) **LOC (13) Cl.** ..... **11-01**  
(52) **U.S. Cl.**  
USPC ..... **D11/91**  
(58) **Field of Classification Search**  
USPC ..... D11/1-6, 26, 27, 34, 35, 36, 40-43, 46, D11/89-92  
CPC ..... A44C 1/00; A44C 17/00; A44C 17/001; A44C 17/002; A44C 17/005; A44C 17/006; A44C 17/007; A44C 17/008; A44C 17/02; A44C 17/0208; A44C 17/0241; A44C 17/04; A44C 25/00; A44C 25/001; A44C 25/007  
See application file for complete search history.

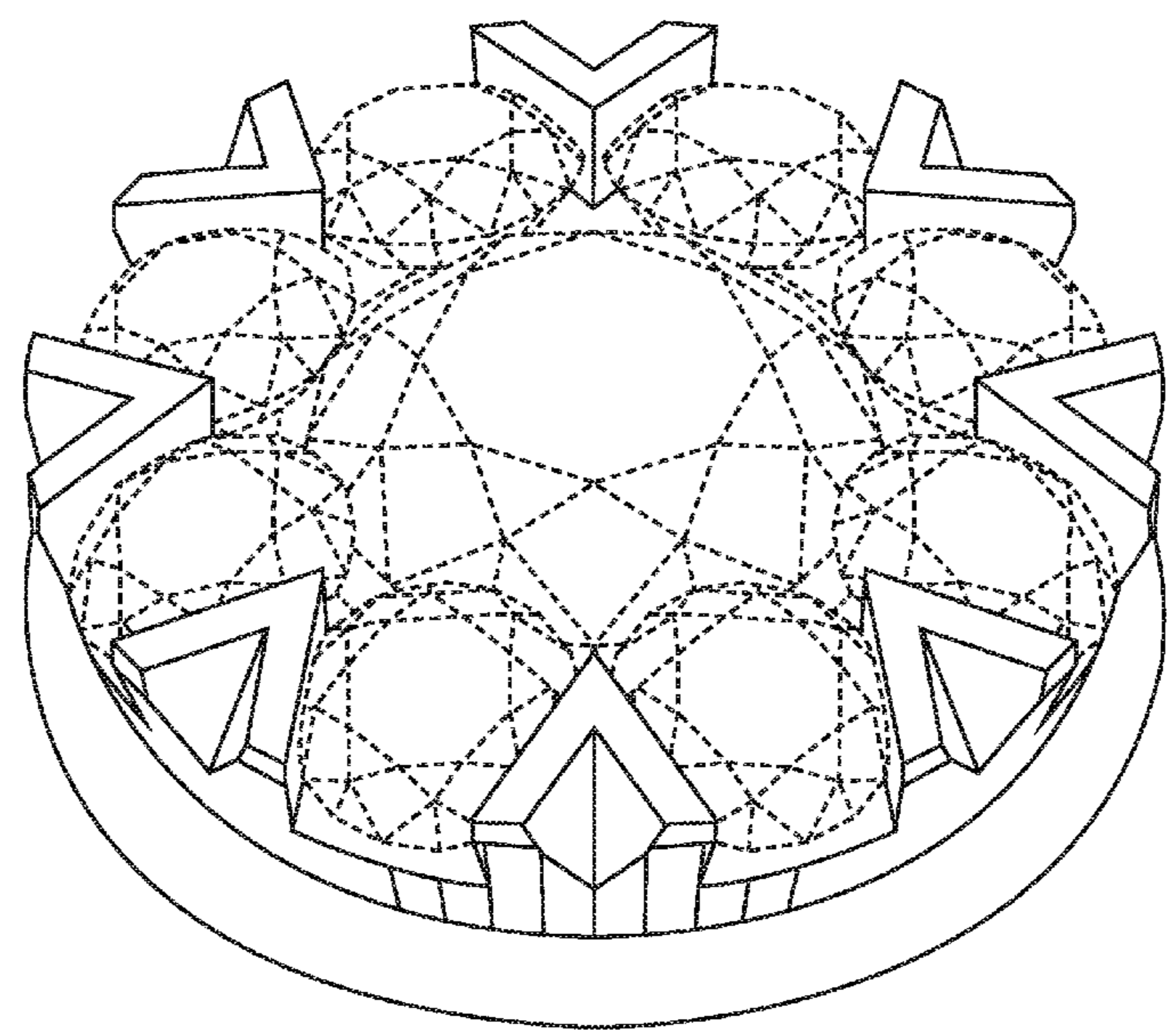
(57) **CLAIM**  
The ornamental design for a jewelry component, as shown and described.

**DESCRIPTION**

FIG. 1 is a top view of a jewelry component, showing my new design;  
FIG. 2 is a bottom view thereof;  
FIG. 3 is left side view thereof;  
FIG. 4 is a right side view thereof;  
FIG. 5 is front view thereof;  
FIG. 6 is a back view thereof;  
FIG. 7 is a top perspective view thereof; and,  
FIG. 8 is a bottom perspective view thereof.  
The broken lines in the drawings illustrate portions of the jewelry component that form no part of the claimed design.

(56) **References Cited**  
U.S. PATENT DOCUMENTS  
D624,845 S \* 10/2010 Shah ..... D11/91  
D642,087 S \* 7/2011 Kothari ..... D11/91  
D648,651 S \* 11/2011 Sin ..... D11/91

**1 Claim, 8 Drawing Sheets**



(56)

**References Cited**

U.S. PATENT DOCUMENTS

D829,126	S	*	9/2018	Bhansali	.....	D11/91
D832,735	S	*	11/2018	Krainz	.....	D11/91
D840,866	S	*	2/2019	Parikh	.....	D11/91
2009/0056376	A1	*	3/2009	Lin	.....	A44C 17/046 63/28
2010/0287988	A1	*	11/2010	Shah	.....	A44C 17/046 63/28
2015/0189957	A1	*	7/2015	Yep	.....	A44C 17/046 63/28

\* cited by examiner

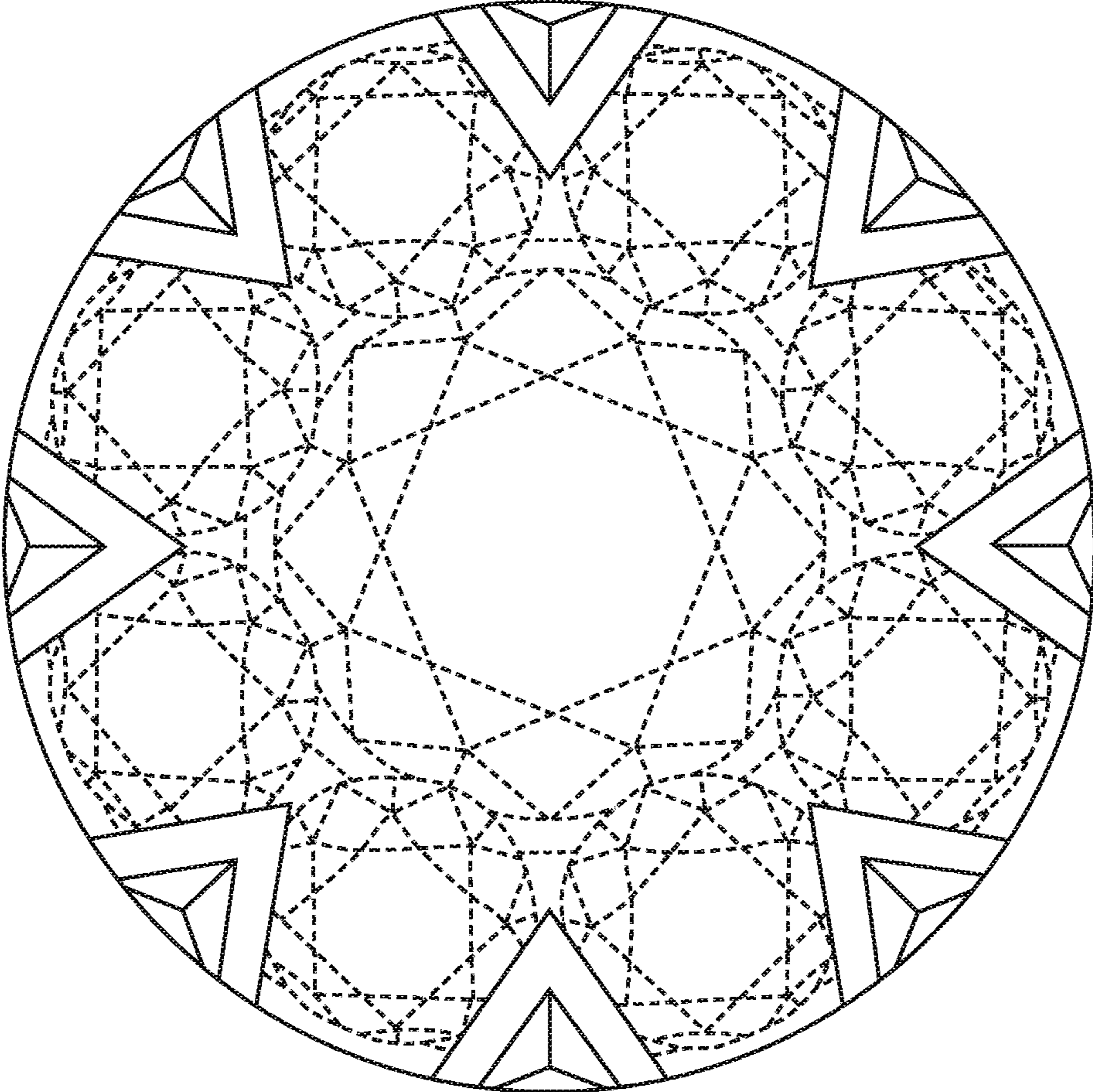


FIG. 1

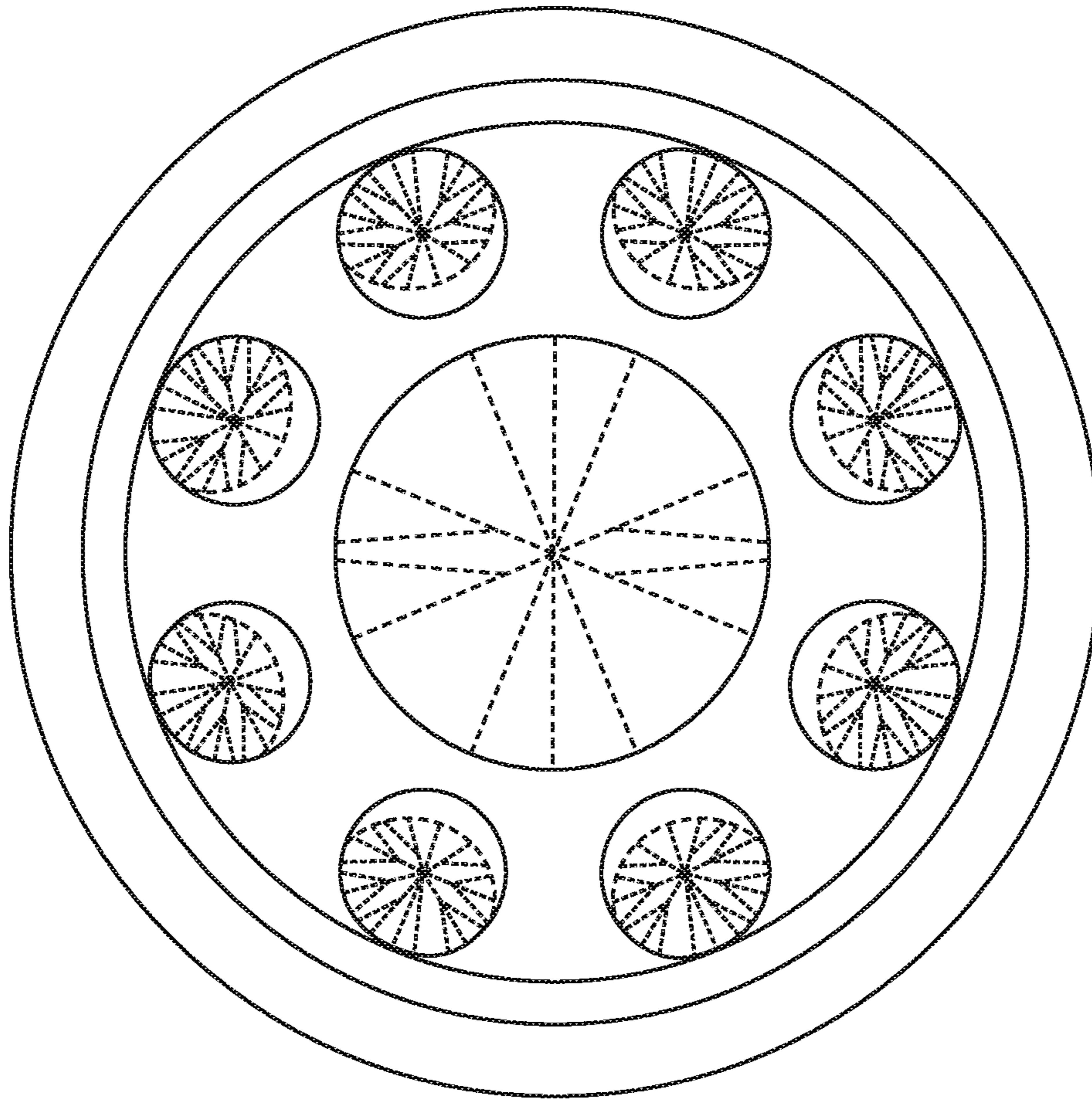


FIG.2

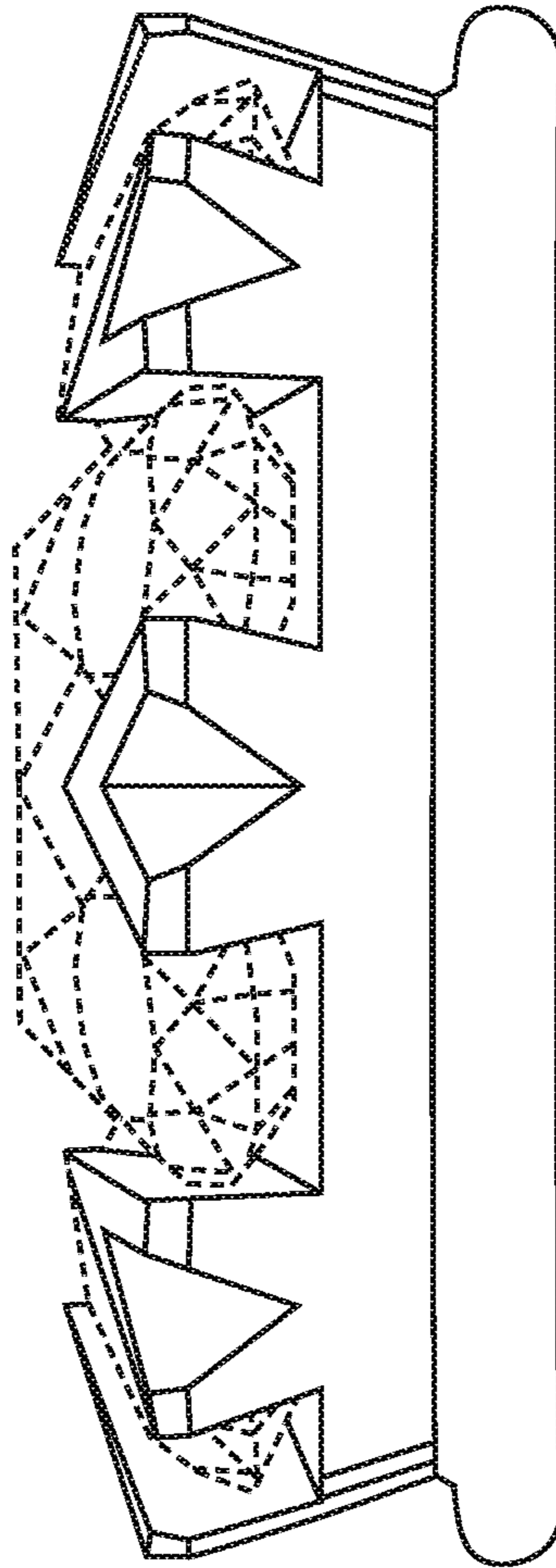


FIG.3

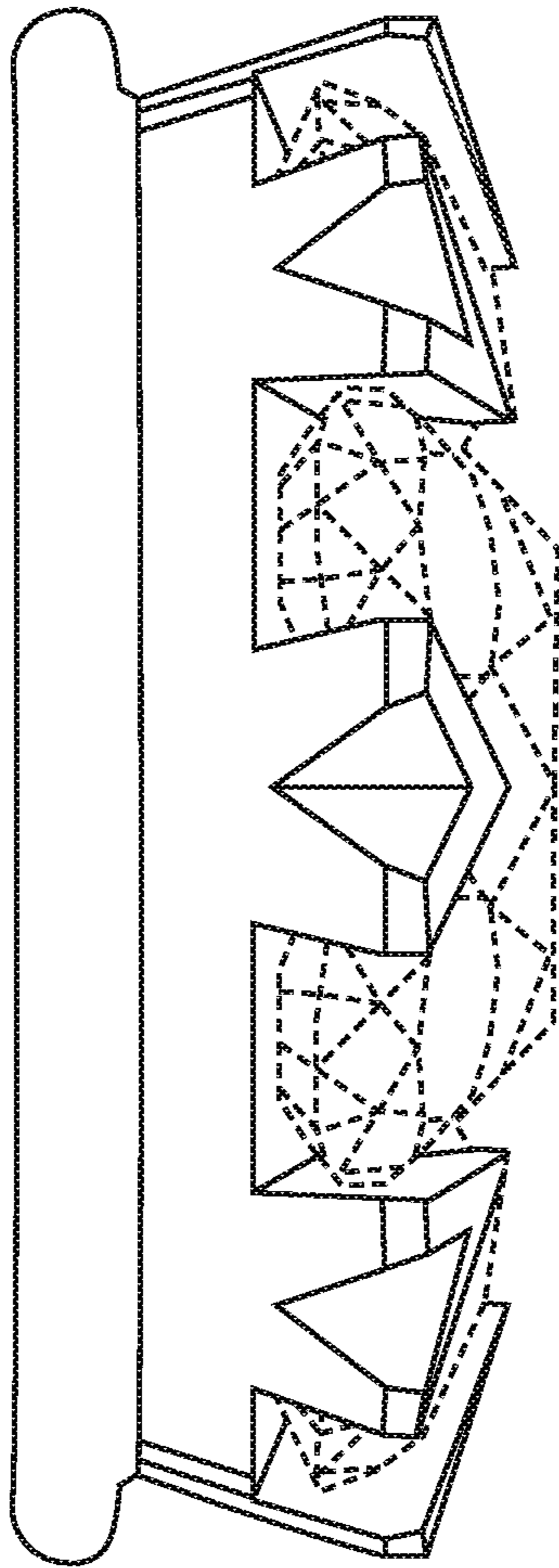


FIG. 4

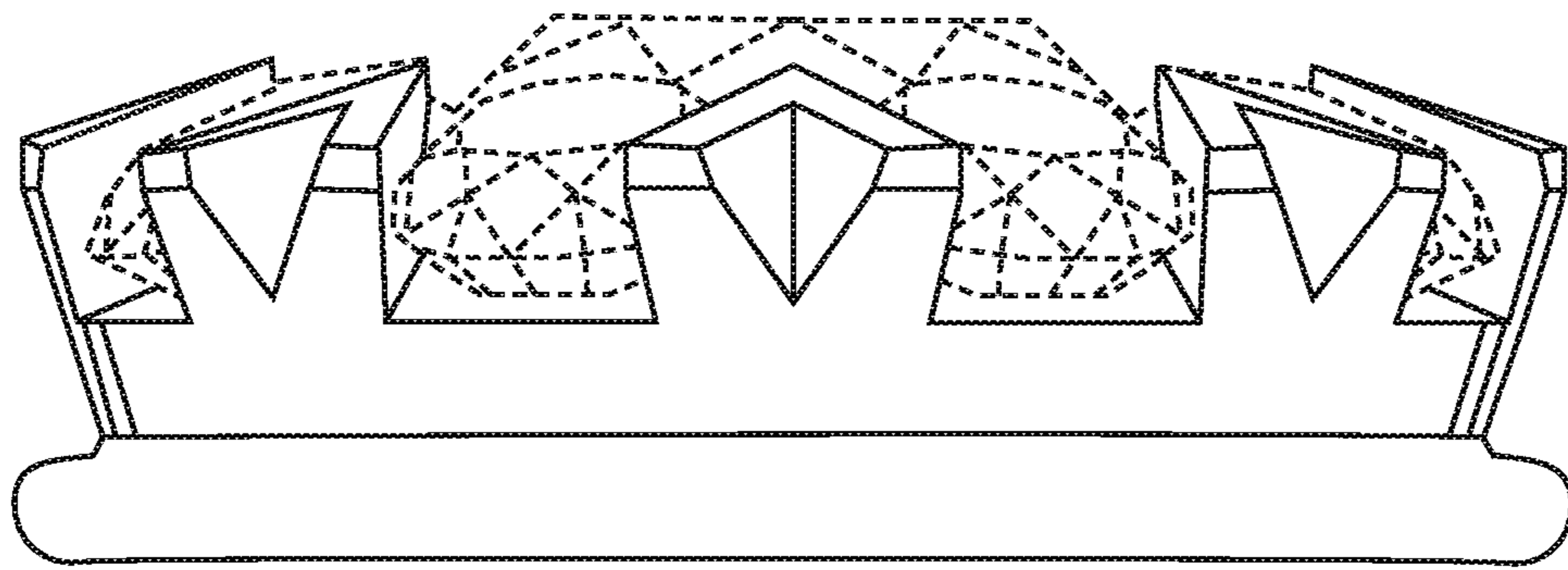


FIG.5

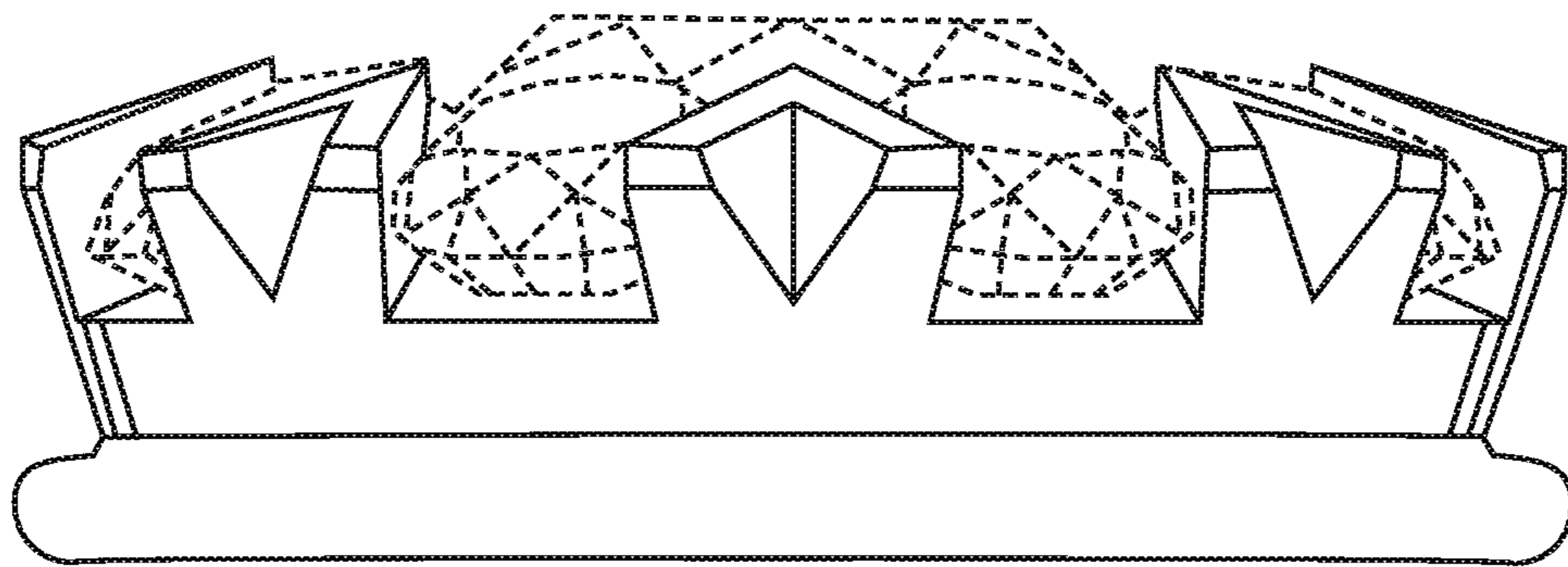


FIG.6



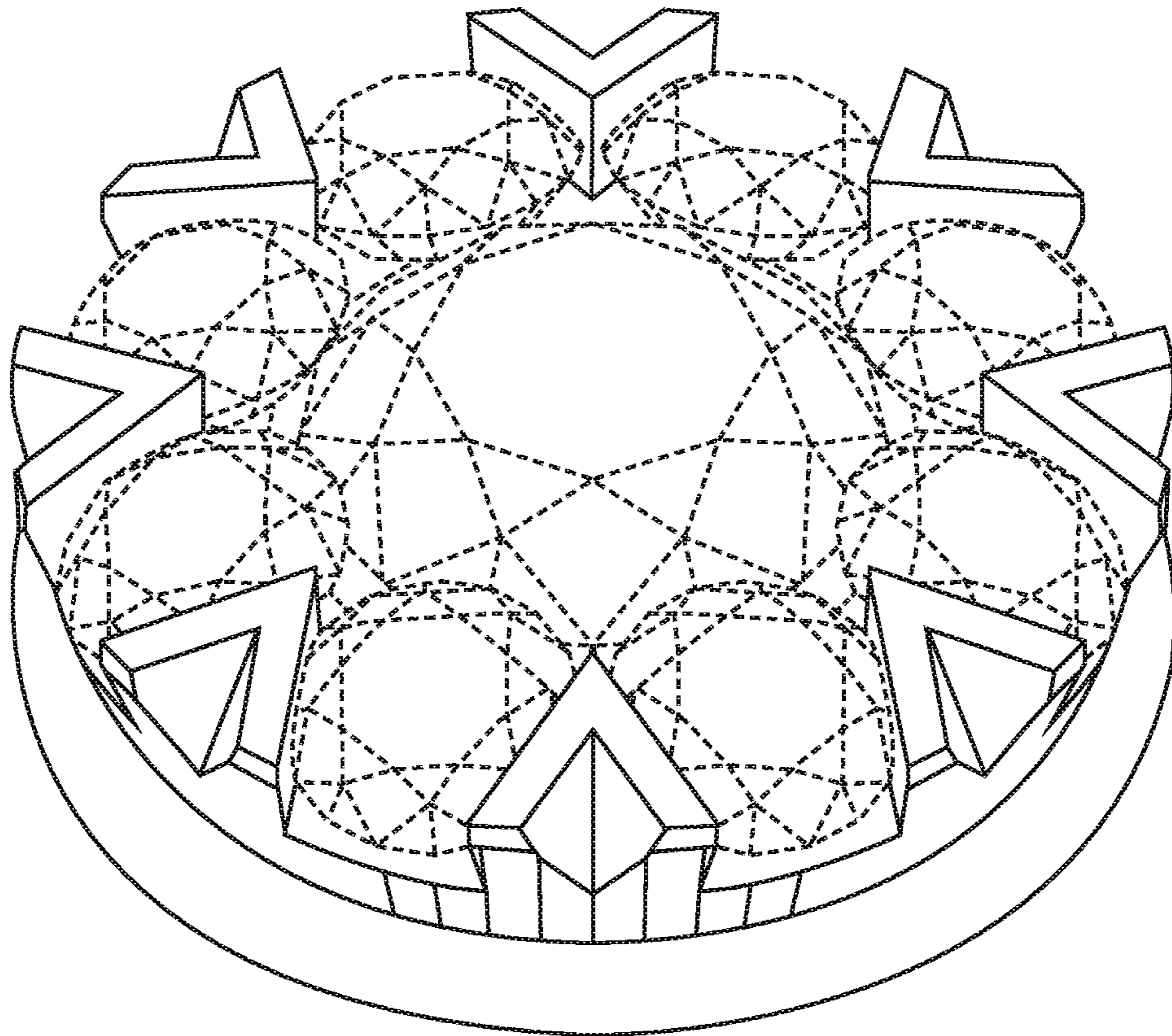


FIG. 7

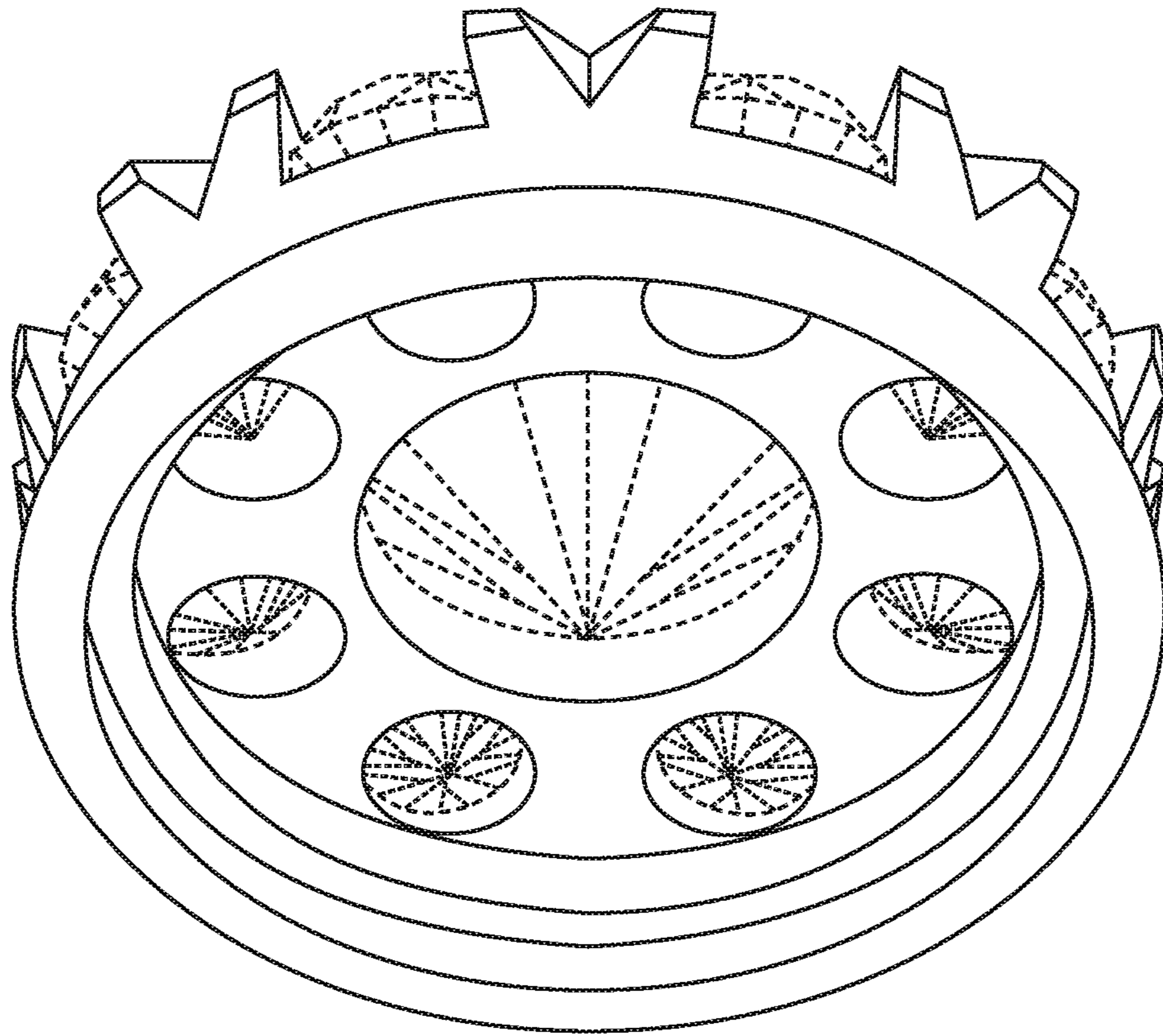


FIG.8