



US00D927344S

(12) **United States Design Patent** (10) **Patent No.:** **US D927,344 S**  
**Morin** (45) **Date of Patent:** **\*\* Aug. 10, 2021**

(54) **ARTICLE OF JEWELRY**

(56) **References Cited**

(71) Applicant: **CARTIER INTERNATIONAL AG**,  
Steinhausen (CH)  
(72) Inventor: **Flora Morin**, Conflans Sainte Honorine  
(FR)  
(73) Assignee: **CARTIER INTERNATIONAL AG**,  
Steinhausen (CH)  
(\*\*) Term: **15 Years**  
(21) Appl. No.: **29/766,879**  
(22) Filed: **Jan. 19, 2021**

U.S. PATENT DOCUMENTS

430,295	A *	6/1890	Mathewson .....	A44C 11/002
				D11/11
431,804	A *	7/1890	Edge .....	A44C 11/00
				D11/17
D150,930	S *	9/1948	Chernow .....	D11/40
D162,110	S *	2/1951	Armbrust .....	D11/15
D365,038	S *	12/1995	Merritt .....	D11/26
D386,439	S *	11/1997	Itzkowitz .....	D11/41
D505,633	S *	5/2005	Hardy .....	D11/26
D722,907	S *	2/2015	Miceli .....	D11/41
D909,232	S *	2/2021	Morin .....	D11/16
D912,564	S *	3/2021	Morin .....	D11/6
D913,143	S *	3/2021	Yamada .....	D11/26
D913,144	S *	3/2021	Yamada .....	D11/40

\* cited by examiner

**Related U.S. Application Data**

(62) Division of application No. 29/684,856, filed on Mar. 25, 2019, now Pat. No. Des. 909,232.

*Primary Examiner* — Llorellys Martinez

(74) *Attorney, Agent, or Firm* — Oliff PLC

(30) **Foreign Application Priority Data**

Sep. 28, 2018 (WO) ..... 75912

(51) **LOC (13) Cl.** ..... **11-01**

(52) **U.S. Cl.**  
USPC ..... **D11/42**

(58) **Field of Classification Search**  
USPC .... D11/1-17, 20, 21, 22, 24, 40-43, 76, 86,  
D11/93

CPC ..... A44C 7/00; A44C 7/001; A44C 7/003;  
A44C 7/004; A44C 7/005; A44C 7/006;  
A44C 7/007; A44C 7/008

See application file for complete search history.

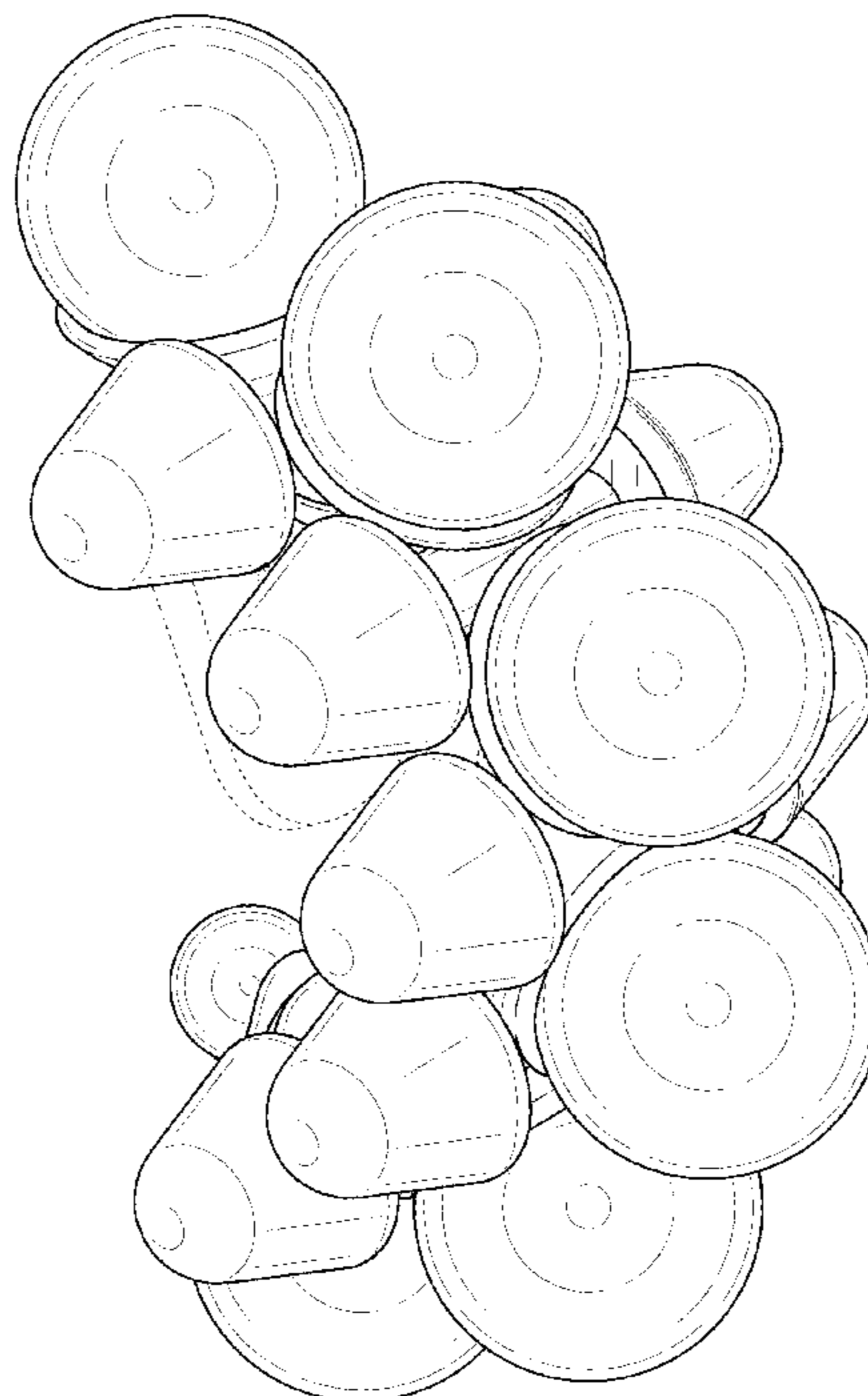
(57) **CLAIM**

The ornamental design for an article of jewelry, as shown and described.

**DESCRIPTION**

FIG. 1 is a front elevational view of an article of jewelry, showing the new design;  
FIG. 2 is a rear elevational view thereof;  
FIG. 3 is a top plan view thereof;  
FIG. 4 is a bottom plan view thereof;  
FIG. 5 is a left-side elevational view thereof;  
FIG. 6 is a right-side elevational view thereof; and,  
FIG. 7 is a front perspective view thereof.  
The broken lines in the drawings illustrate portions of the article of jewelry that form no part of the claimed design.

**1 Claim, 7 Drawing Sheets**



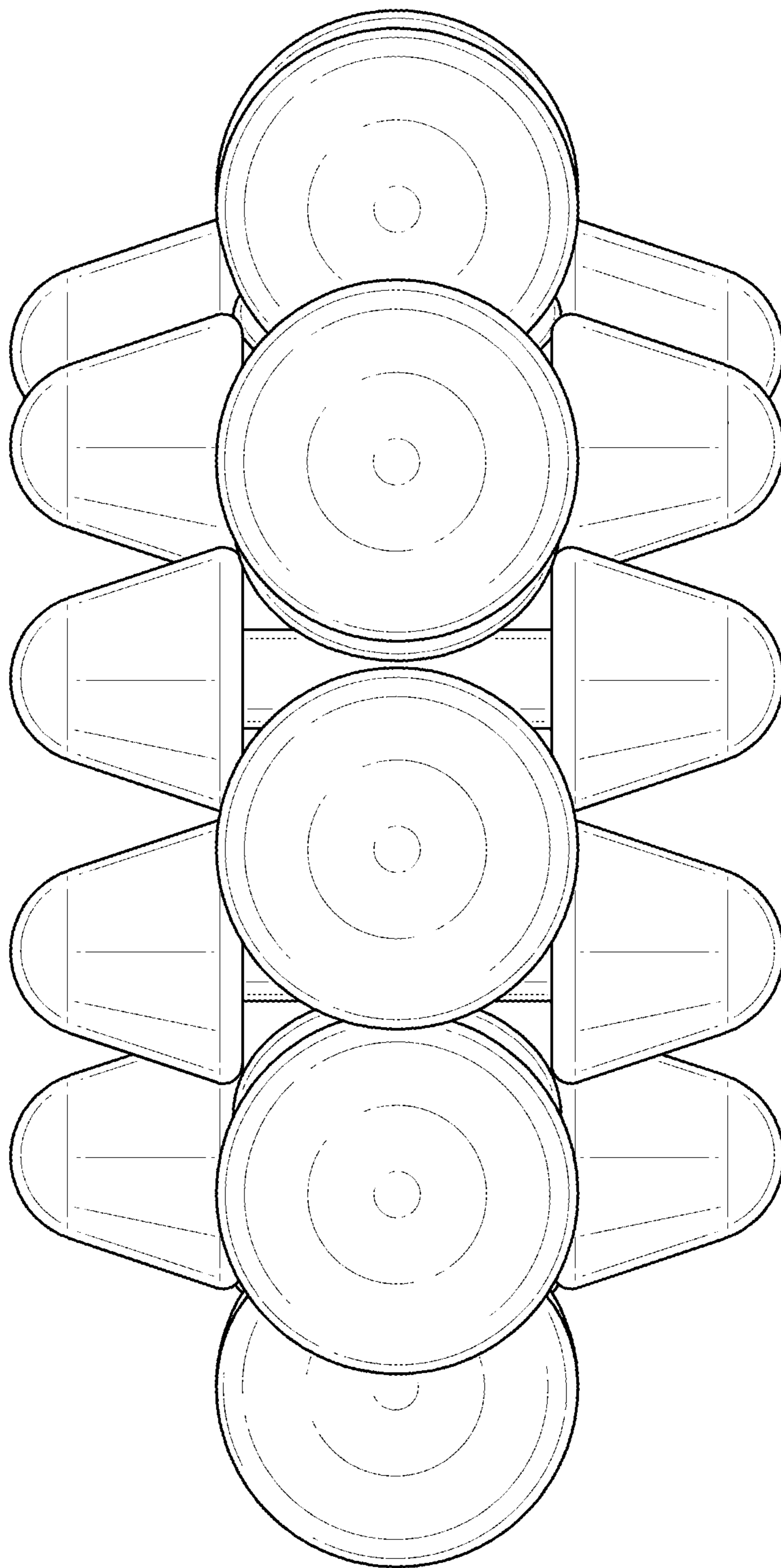


FIG. 1

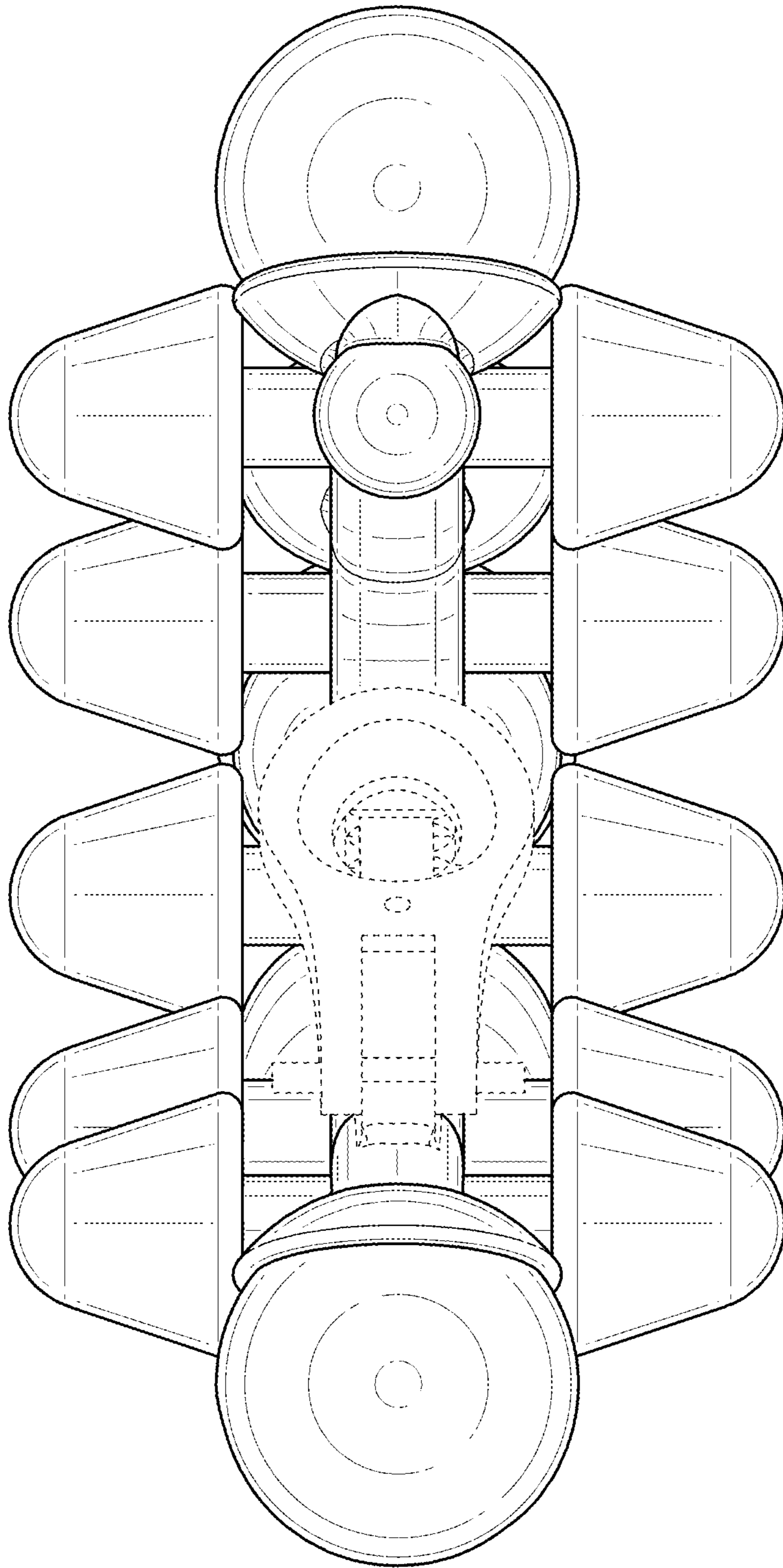


FIG. 2

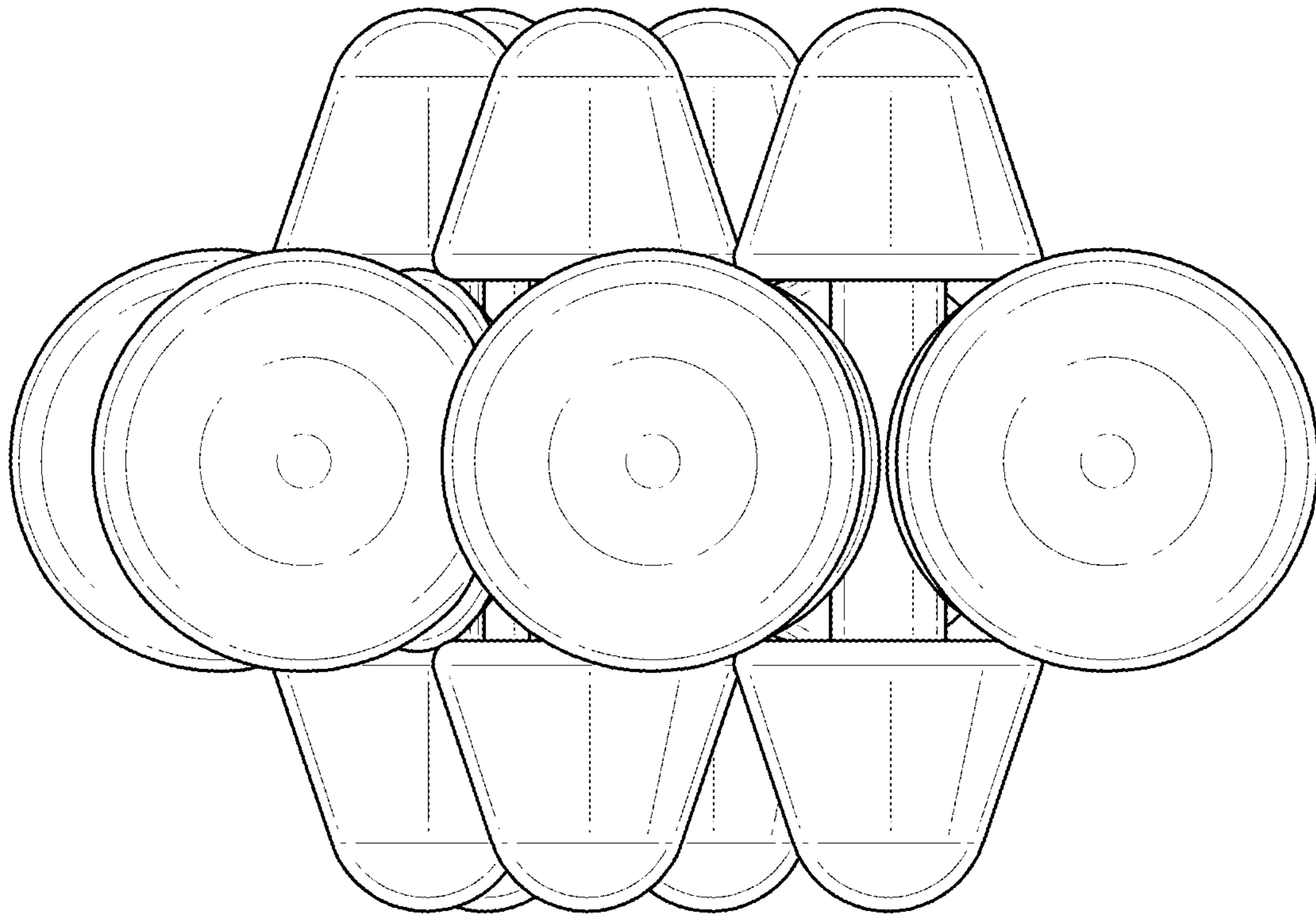


FIG. 3

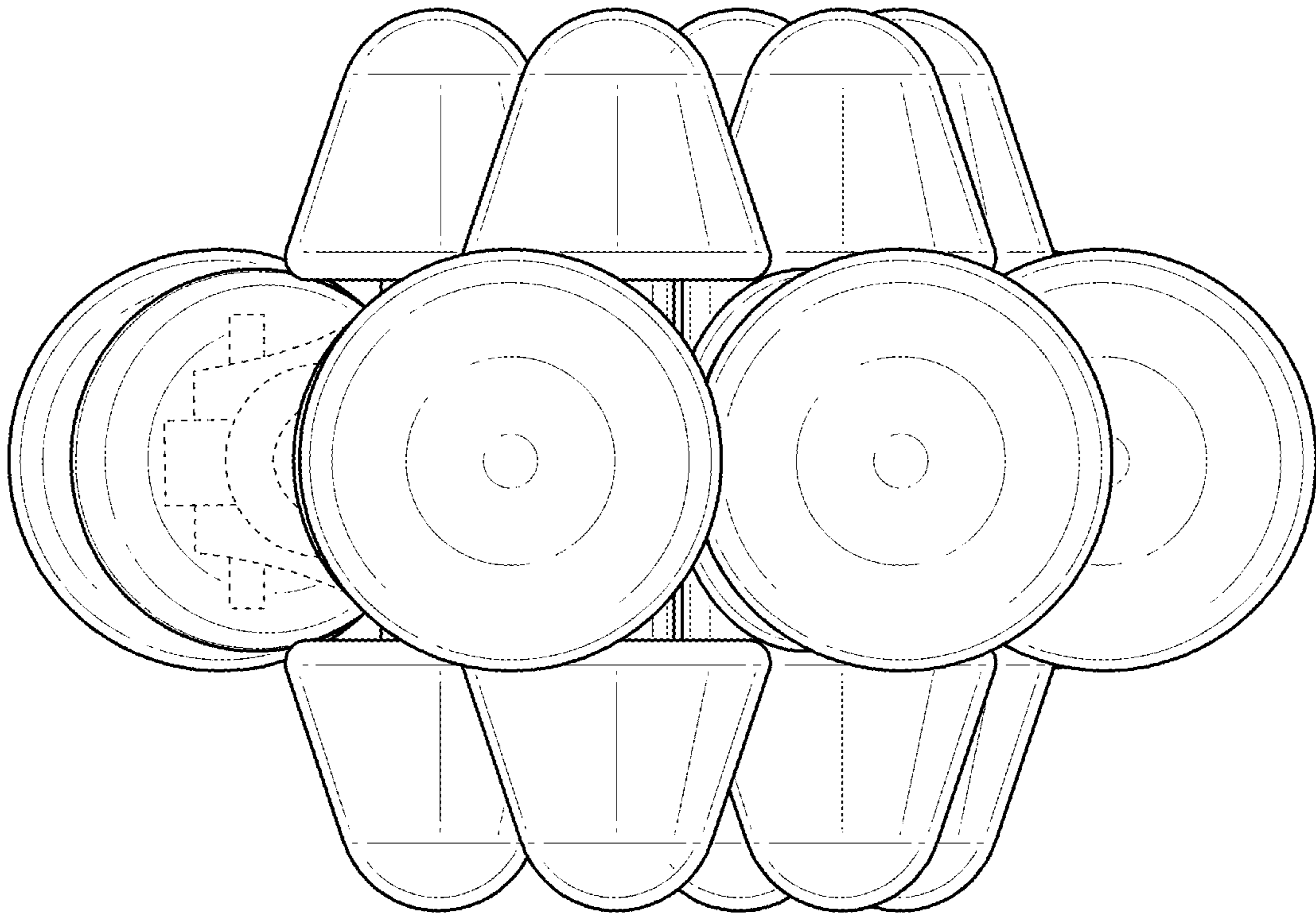


FIG. 4

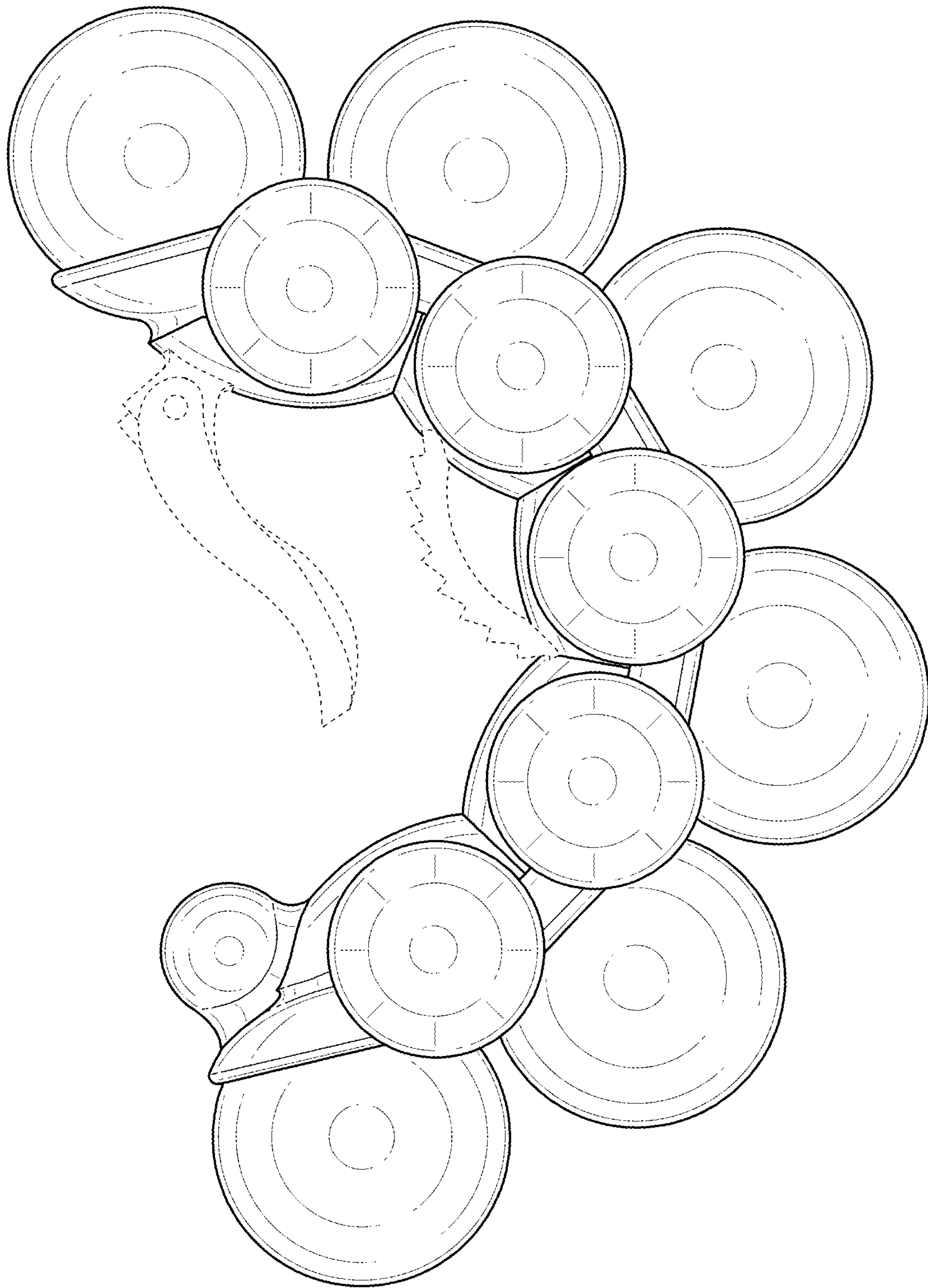


FIG. 5



FIG. 6



FIG. 7