



US00D927337S

(12) **United States Design Patent** (10) **Patent No.:** **US D927,337 S**  
**Donlan et al.** (45) **Date of Patent:** **\*\* Aug. 10, 2021**

(54) **THERMOSTAT RETENTION MEMBER**

(71) Applicant: **Appleton Grp LLC**, Rosemont, IL (US)

(72) Inventors: **Andrew J. Donlan**, Guelph (CA); **Paul E. Mazur**, Kitchener (CA); **Jacob Holfeuer**, Kitchener (CA)

(73) Assignee: **Appleton Grp LLC**, Rosemont, IL (US)

(\*\*) Term: **15 Years**

(21) Appl. No.: **29/711,513**

(22) Filed: **Oct. 31, 2019**

(51) **LOC (13) Cl.** ..... **10-04**

(52) **U.S. Cl.**  
USPC ..... **D10/103**

(58) **Field of Classification Search**  
USPC ..... D8/349, 354, 373, 380, 382, 394;  
D10/46, 50, 51, 52, 53, 60, 103;  
D13/152, 153, 154, 155, 156

CPC ... H02B 1/00; H02B 1/06; H02B 1/14; H02K 11/25; F16B 2/08; F24H 9/20; F16L 55/07; H01R 13/585; H01R 13/6392  
See application file for complete search history.

(56) **References Cited**

U.S. PATENT DOCUMENTS

2,365,487	A *	12/1944	Murray	.....	G01K 1/08 374/207
D197,417	S *	1/1964	Kirkpatrick	.....	D8/356
D205,138	S *	6/1966	Darrah et al.	.....	D10/83
3,515,917	A *	6/1970	Kolb	.....	B21D 35/007 310/71
3,842,297	A *	10/1974	Pleiss, Jr.	.....	H02K 11/25 310/68 C
4,028,570	A *	6/1977	Kieffer	.....	H02K 11/25 310/68 C
4,261,539	A *	4/1981	Albern	.....	F16B 2/08 24/16 PB
D261,367	S *	10/1981	Janson	.....	D10/60

D265,055	S *	6/1982	Bone	.....	D8/394
D305,977	S *	2/1990	Ono	.....	D8/382
D312,040	S *	11/1990	Johnson, Jr.	.....	D8/373
D363,877	S *	11/1995	Dee	.....	D8/373
D371,832	S *	7/1996	Kelly	.....	23/314

(Continued)

OTHER PUBLICATIONS

Emerson Catalog, "EasyHeat AHB Cable: Pipe Freeze Protection, Constant Wattage, Pre-Terminated. For Residential Applications.", 2017, 2 pages.

*Primary Examiner* — Leanne Was-Englehart

(74) *Attorney, Agent, or Firm* — McDonnell Boehnen Hulbert & Berghoff LLP

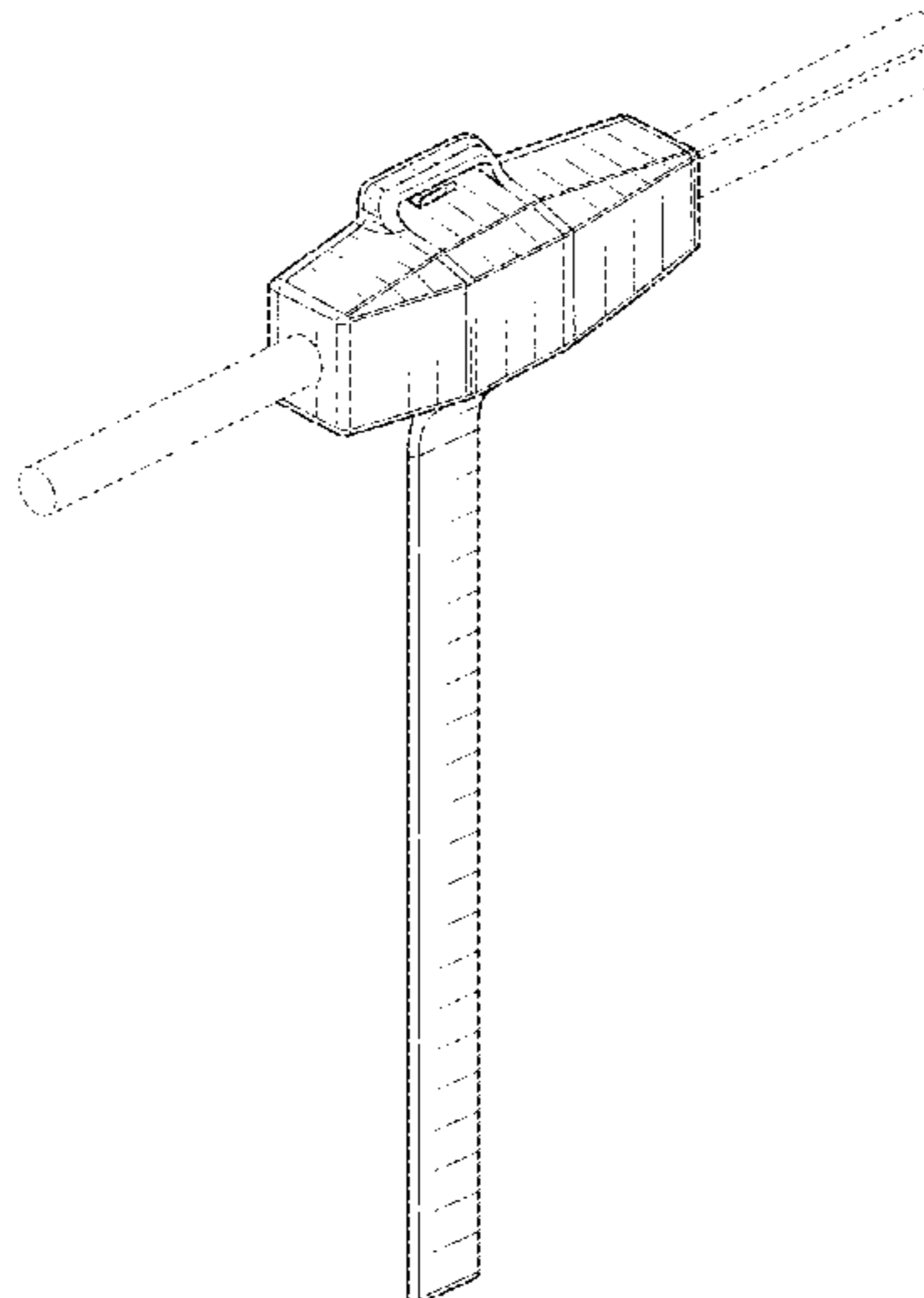
(57) **CLAIM**

The ornamental design for a thermostat retention member, as shown and described.

**DESCRIPTION**

FIG. 1 is a perspective rear view of a thermostat retention member having the inventive design; FIG. 2 is a front view of the thermostat retention member shown in FIG. 1; FIG. 3 is a rear view of the thermostat retention member shown in FIG. 1; FIG. 4 is a right side view of the thermostat retention member shown in FIG. 1; FIG. 5 is a left side view of the thermostat retention member shown in FIG. 1; FIG. 6 is a top view of the thermostat retention member shown in FIG. 1; and, FIG. 7 is a bottom view of the thermostat retention member shown in FIG. 1. The broken line disclosure represents portions of the thermostat retention member which forms no part of the claimed design.

**1 Claim, 5 Drawing Sheets**



(56)

**References Cited**

U.S. PATENT DOCUMENTS

D372,462	S	*	8/1996	Shimirak	.....	13/153
5,733,138	A	*	3/1998	Kramer	.....	H01R 13/6392
						439/369
D417,387	S	*	12/1999	Kim	.....	D8/382
D429,458	S	*	8/2000	Shock	.....	D8/373
D472,135	S	*	3/2003	Labbe	.....	D8/394
D538,630	S	*	3/2007	Sergi	.....	D8/354
D578,521	S	*	10/2008	Sergi	.....	14/238
D580,748	S	*	11/2008	Polak	.....	D8/394
7,484,990	B1	*	2/2009	Lee	.....	H01R 13/585
						439/369
D670,996	S	*	11/2012	Rogers	.....	D8/363
D688,957	S	*	9/2013	Rossano	.....	D10/57
D782,928	S	*	4/2017	Takakuwa	.....	10/103
D782,929	S	*	4/2017	Takakuwa	.....	10/103
D782,930	S	*	4/2017	Takakuwa	.....	10/103
D782,931	S	*	4/2017	Takakuwa	.....	10/103
D783,614	S	*	4/2017	Hao	.....	D14/388
D848,954	S	*	5/2019	Chadbourne	.....	13/154
D852,651	S	*	7/2019	Basu	.....	D10/52
D889,253	S	*	7/2020	Makino	.....	D8/394
2014/0235119	A1	*	8/2014	Zaurrini	.....	H01R 13/6392
						439/892
2017/0284870	A1		10/2017	Golden et al.		
2020/0406840	A1	*	12/2020	Egami	.....	H02G 3/30

\* cited by examiner

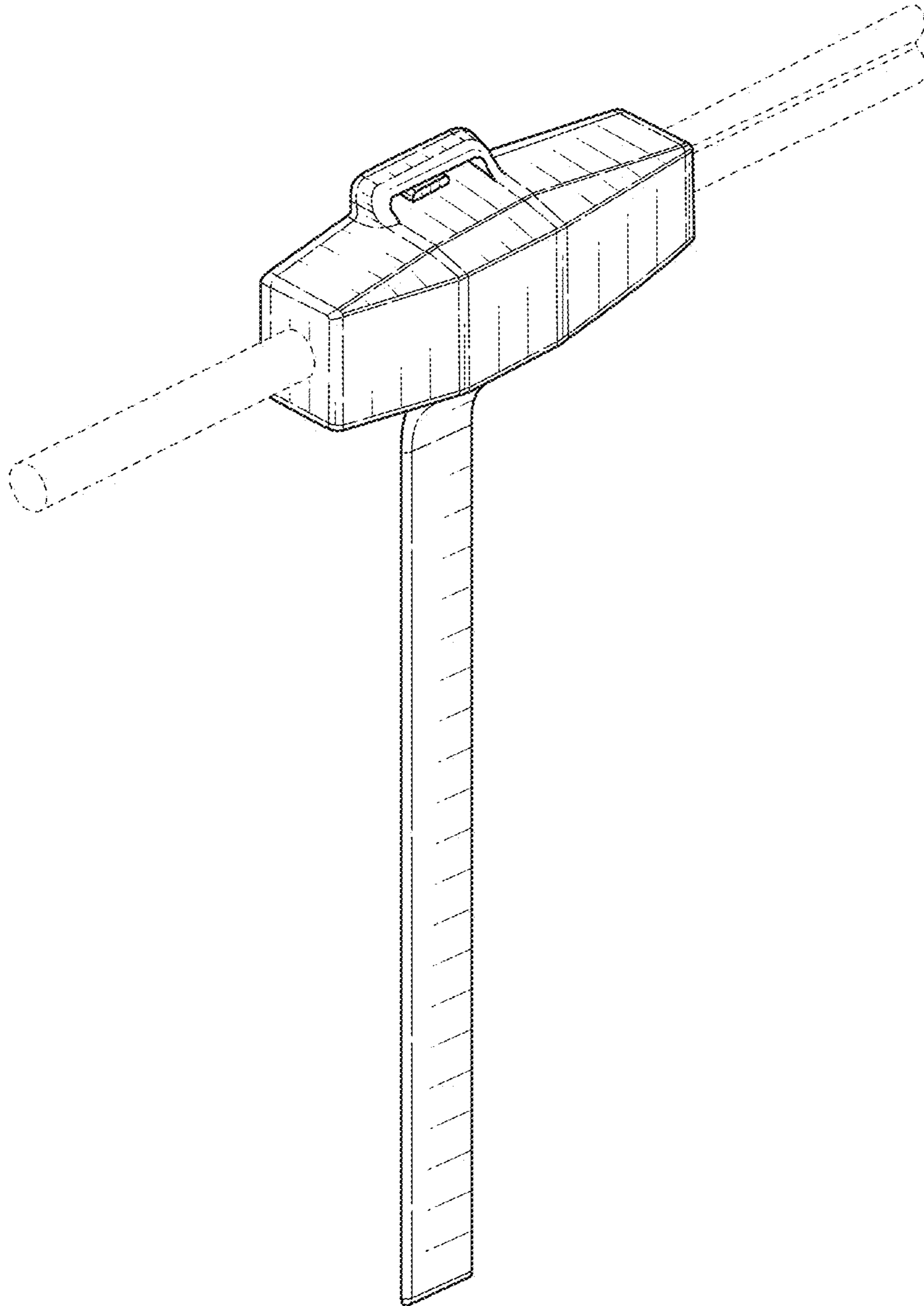


FIG. 1

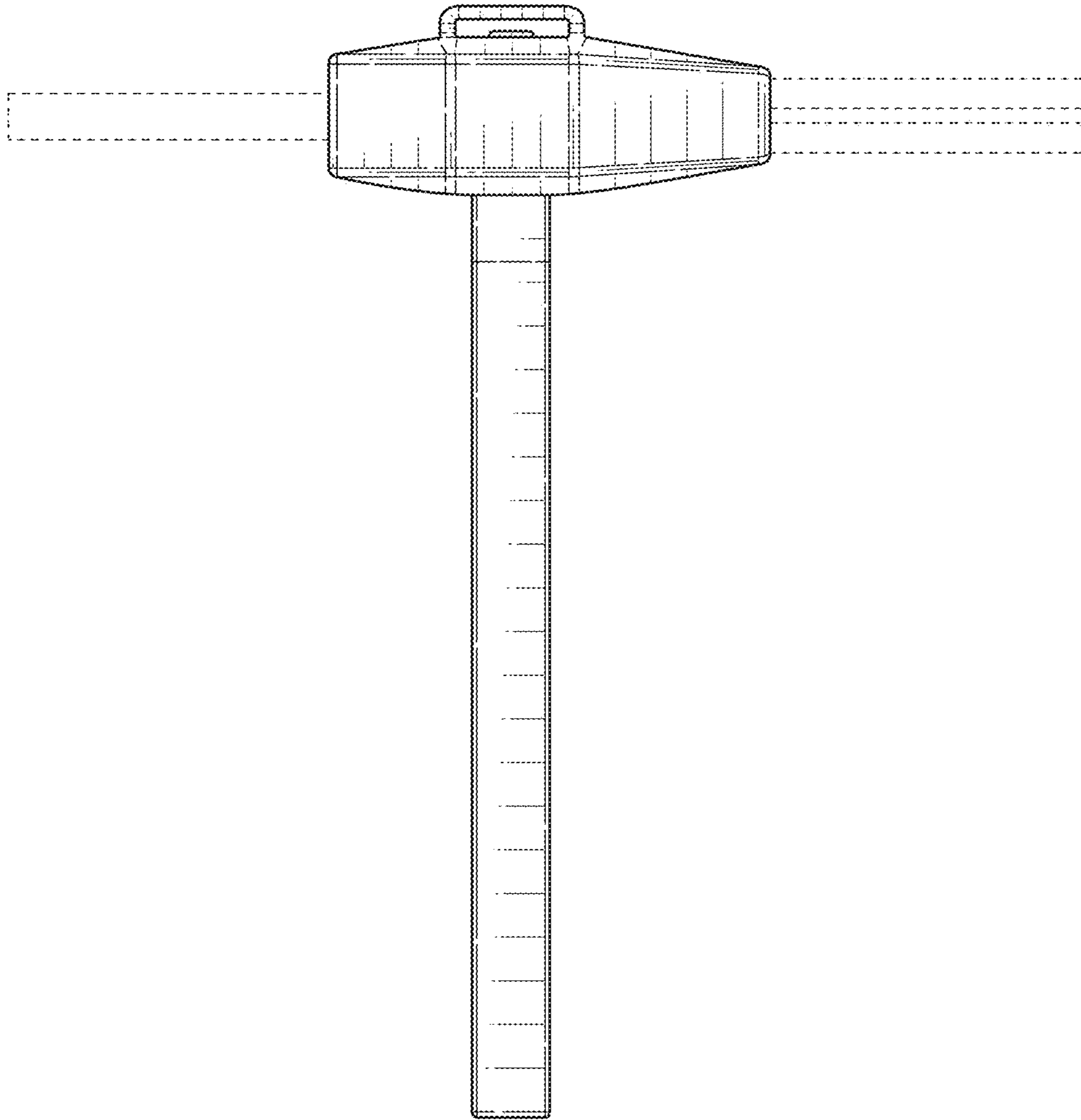


FIG. 2

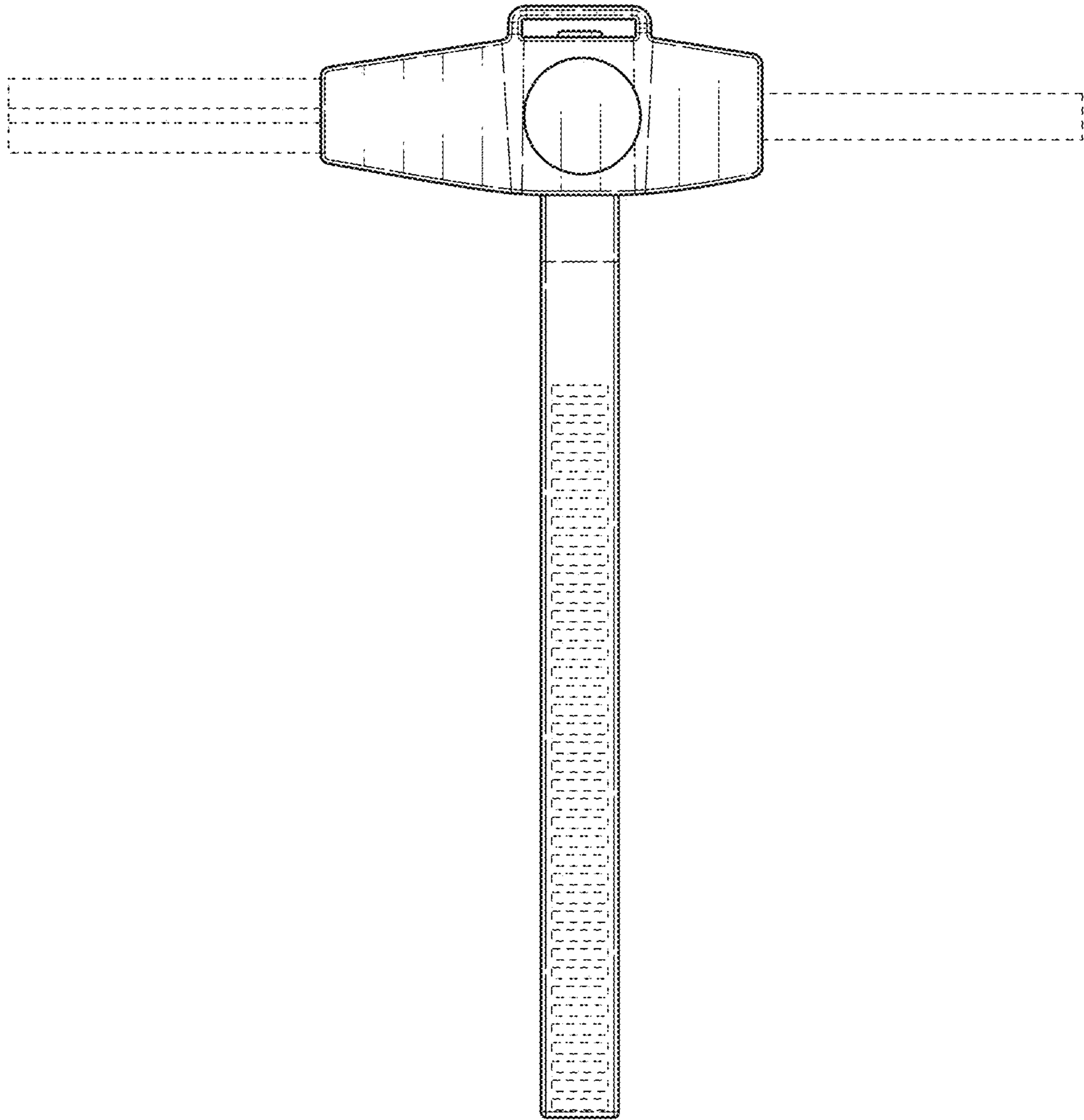


FIG. 3

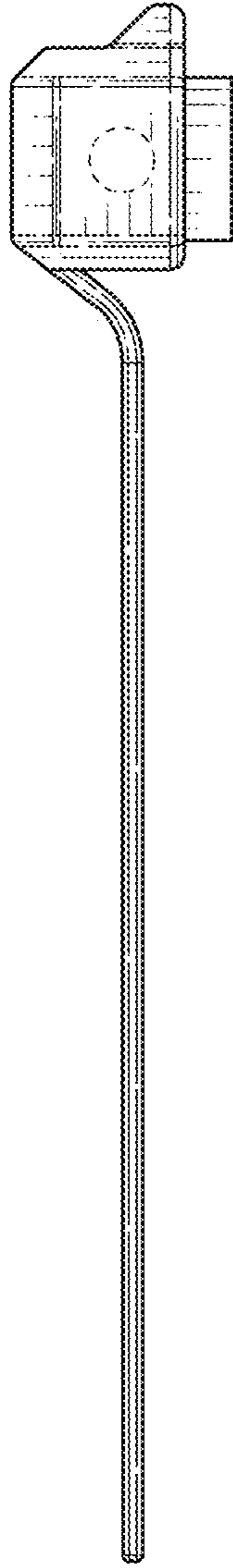


FIG. 4

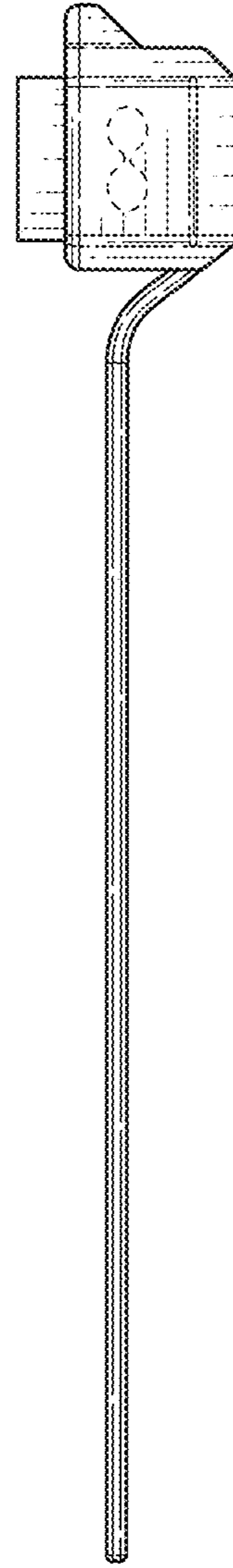


FIG. 5

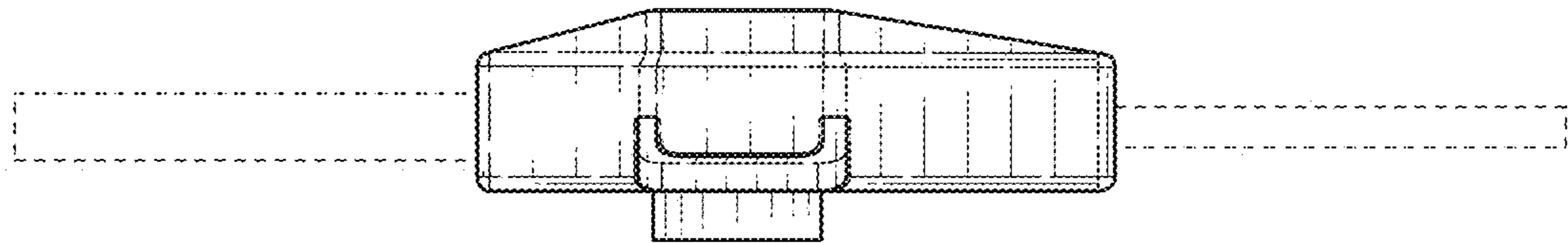


FIG. 6

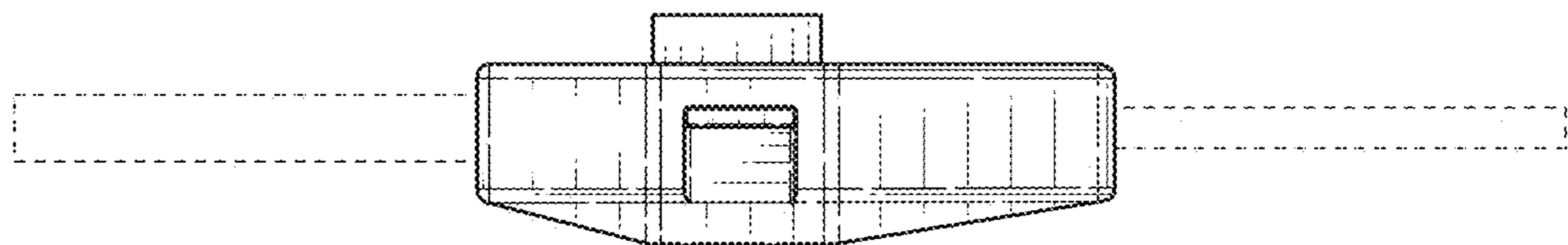


FIG. 7