



US00D927334S

(12) **United States Design Patent**  
**Zhang**

(10) **Patent No.:** **US D927,334 S**

(45) **Date of Patent:** **\*\* Aug. 10, 2021**

(54) **MEASURING WHEEL**

(71) Applicant: **Shaocheng Zhang**, Shijiazhuang (CN)

(72) Inventor: **Shaocheng Zhang**, Shijiazhuang (CN)

(\*\*) Term: **15 Years**

(21) Appl. No.: **29/760,486**

(22) Filed: **Dec. 1, 2020**

(51) **LOC (13) Cl.** ..... **10-04**

(52) **U.S. Cl.**  
USPC ..... **D10/70**

(58) **Field of Classification Search**  
USPC ..... D10/70, 71  
CPC ..... G01B 3/12  
See application file for complete search history.

(56) **References Cited**

**U.S. PATENT DOCUMENTS**

D498,153 S	11/2004	Stevermer	
D831,516 S	10/2018	Cobb et al.	
10,119,800 B2 *	11/2018	Wang	G01B 3/12
D863,081 S *	10/2019	Cobb	D10/70
D863,082 S *	10/2019	Cobb	D10/70

\* cited by examiner

*Primary Examiner* — Antoine D Davis

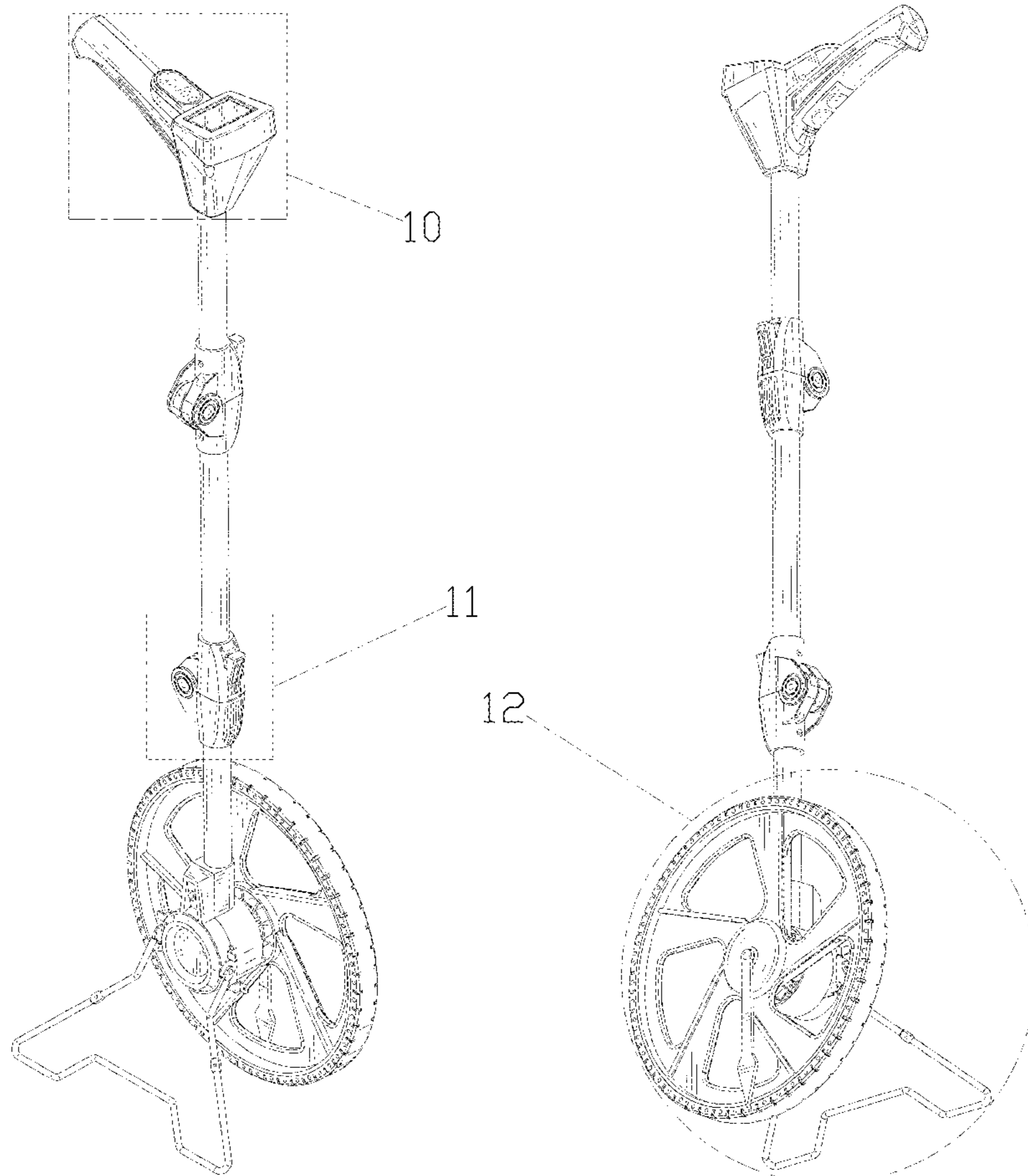
(57) **CLAIM**

The ornamental design for a measuring wheel, as shown and described.

**DESCRIPTION**

FIG. 1 is a perspective view of a measuring wheel showing my new design;  
 FIG. 2 is another perspective view thereof;  
 FIG. 3 is a front elevational view thereof;  
 FIG. 4 is a rear elevational view thereof;  
 FIG. 5 is a left side elevational view thereof;  
 FIG. 6 is a right side elevational view thereof;  
 FIG. 7 is a top plan view thereof;  
 FIG. 8 is a bottom plan view thereof;  
 FIG. 9 is a perspective view of the measuring wheel where the measuring wheel is in a configuration of use;  
 FIG. 10 is an enlarged view of portion 10 shown in FIG. 1;  
 FIG. 11 is an enlarged view of portion 11 shown in FIG. 1;  
 and,  
 FIG. 12 is an enlarged view of portion 12 shown in FIG. 2.  
 The broken lines in the drawings depict portions of the measuring wheel that form no part of the claimed design.

**1 Claim, 12 Drawing Sheets**



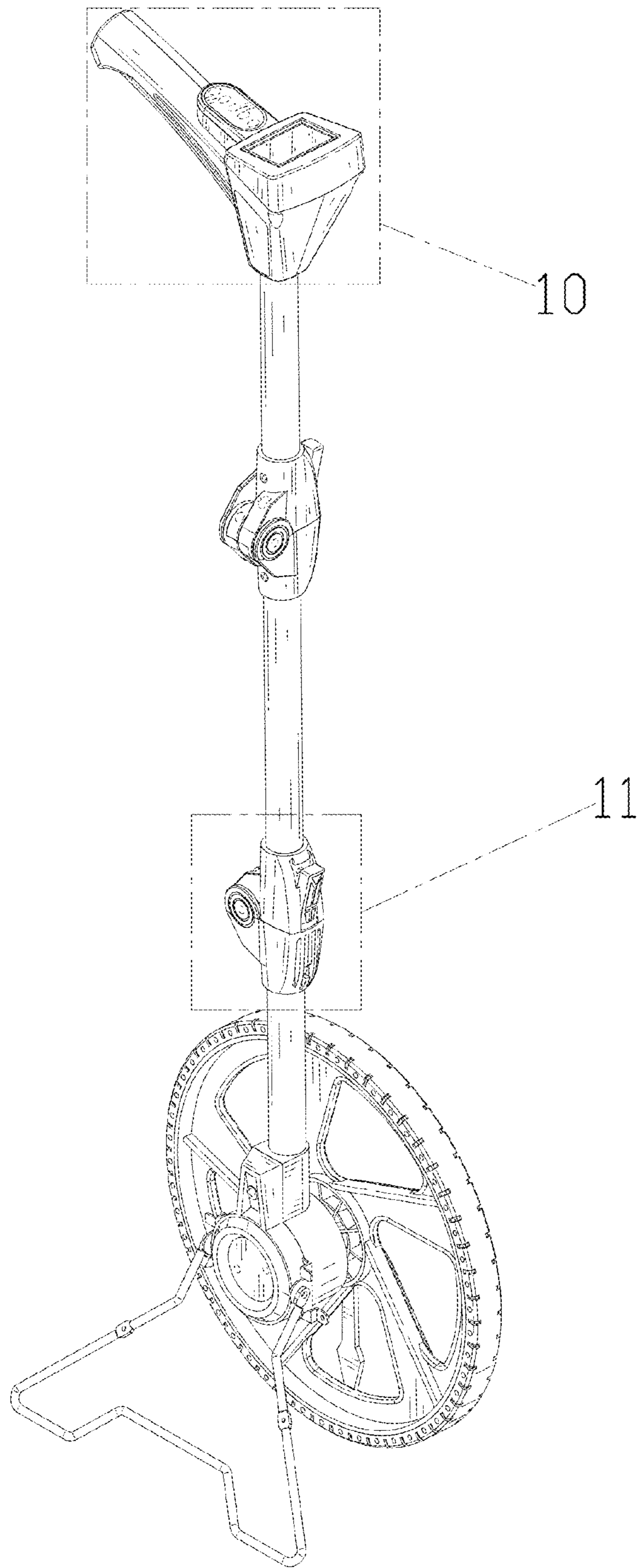


FIG. 1

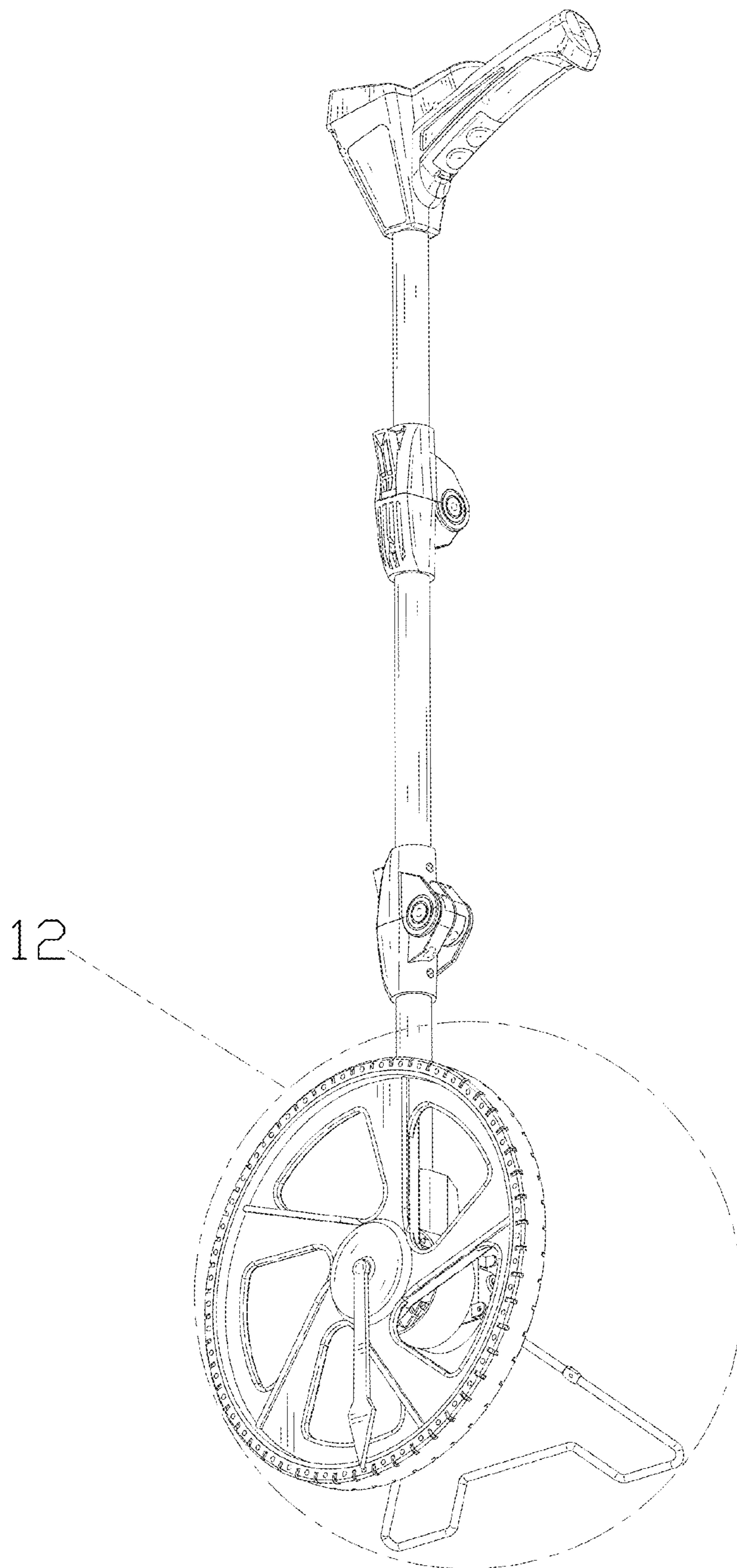


FIG. 2

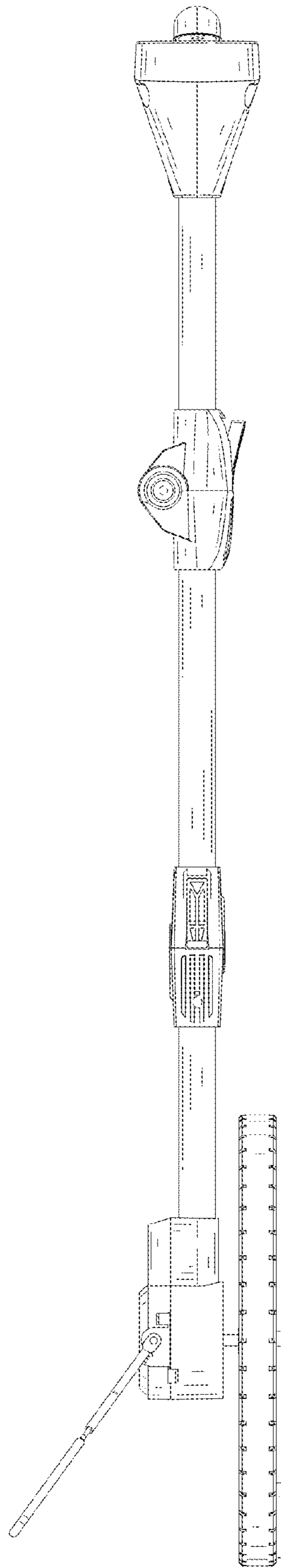


FIG. 3

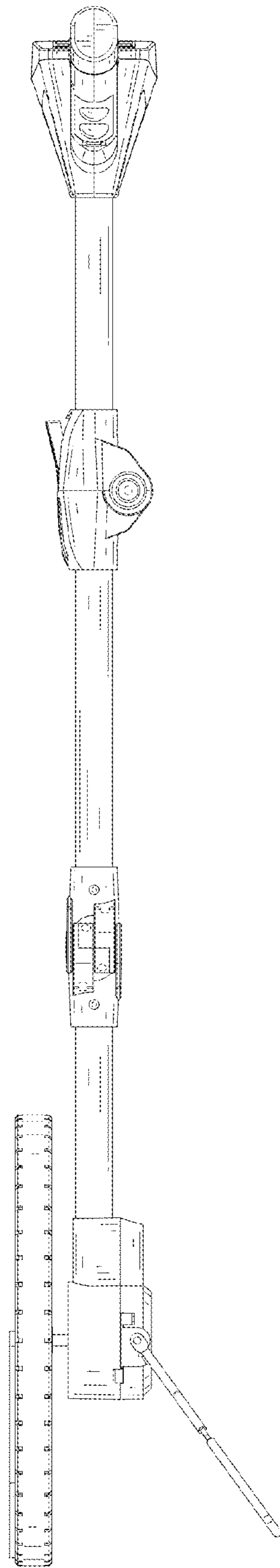


FIG. 4

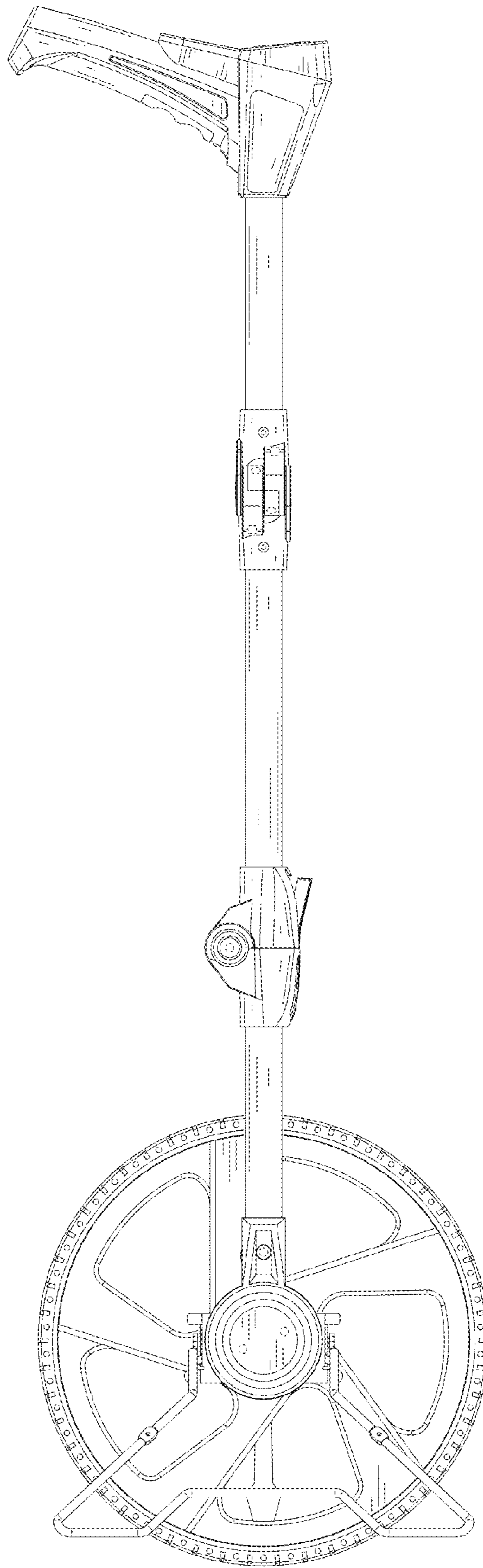


FIG. 5

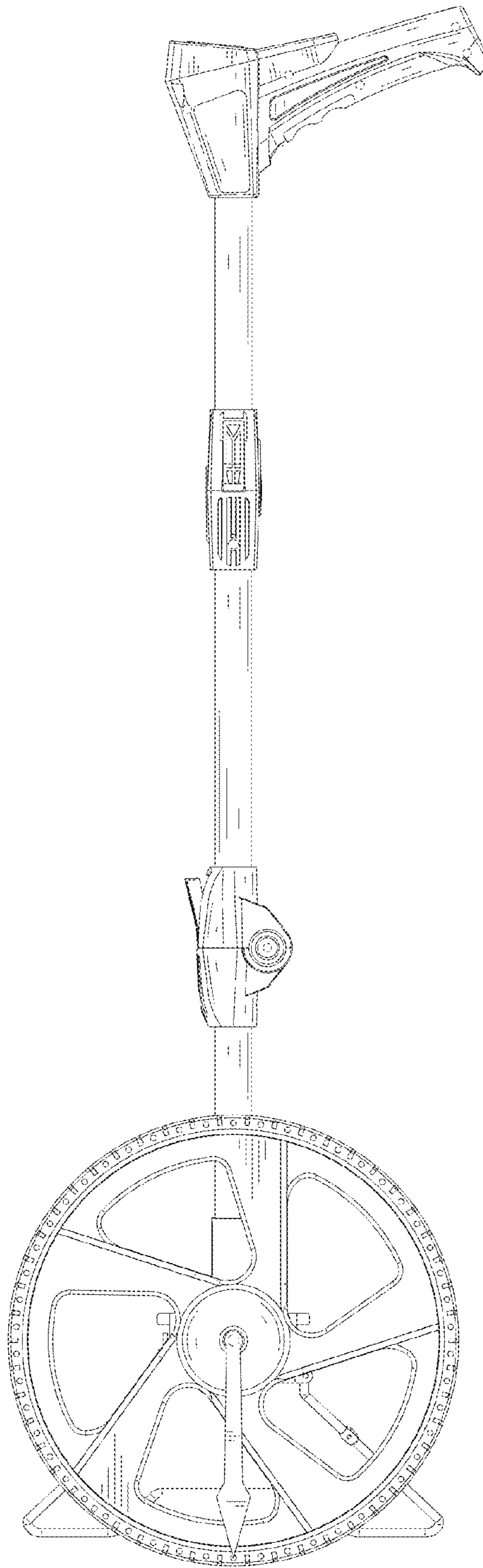


FIG. 6

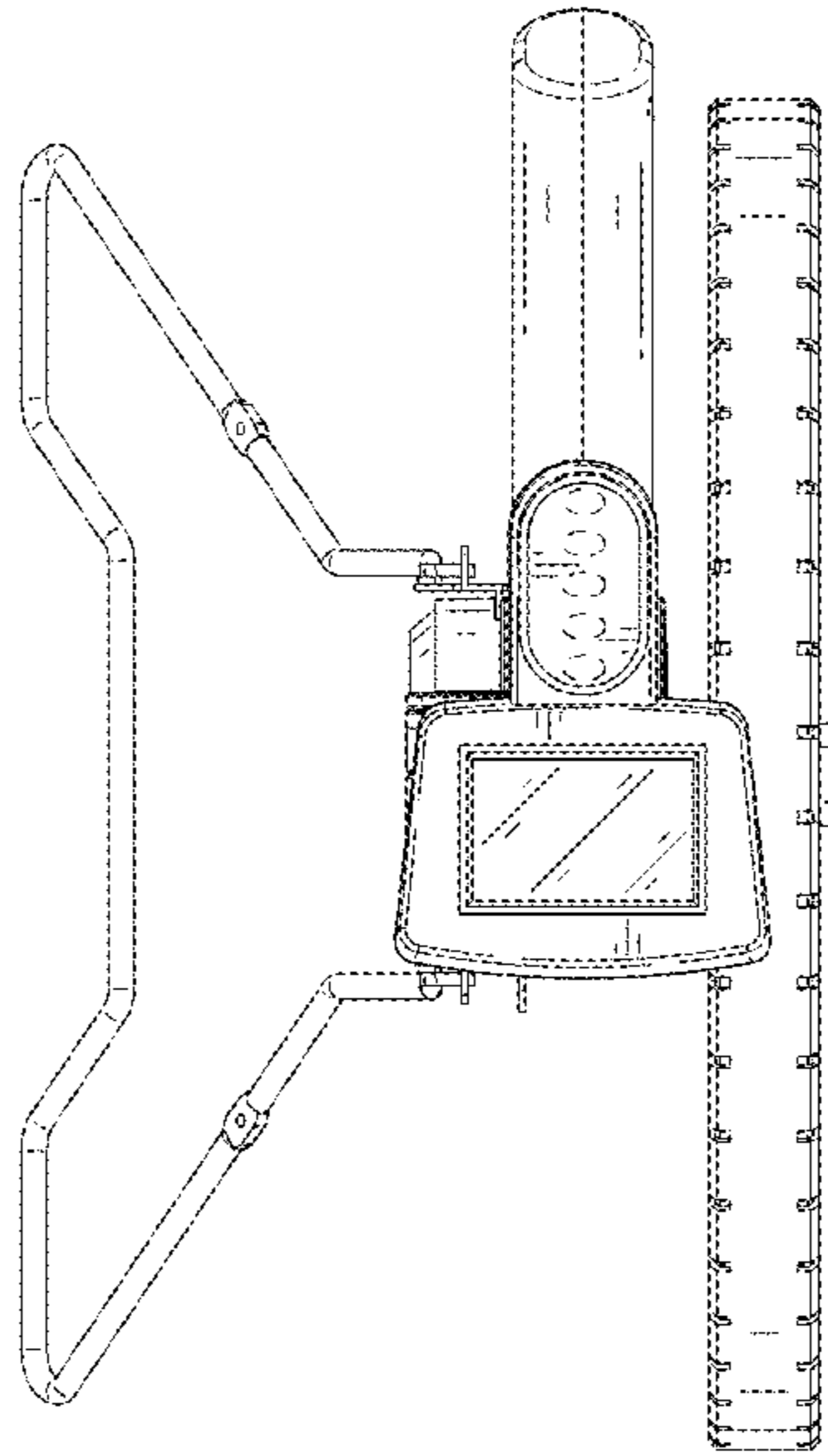


FIG. 7



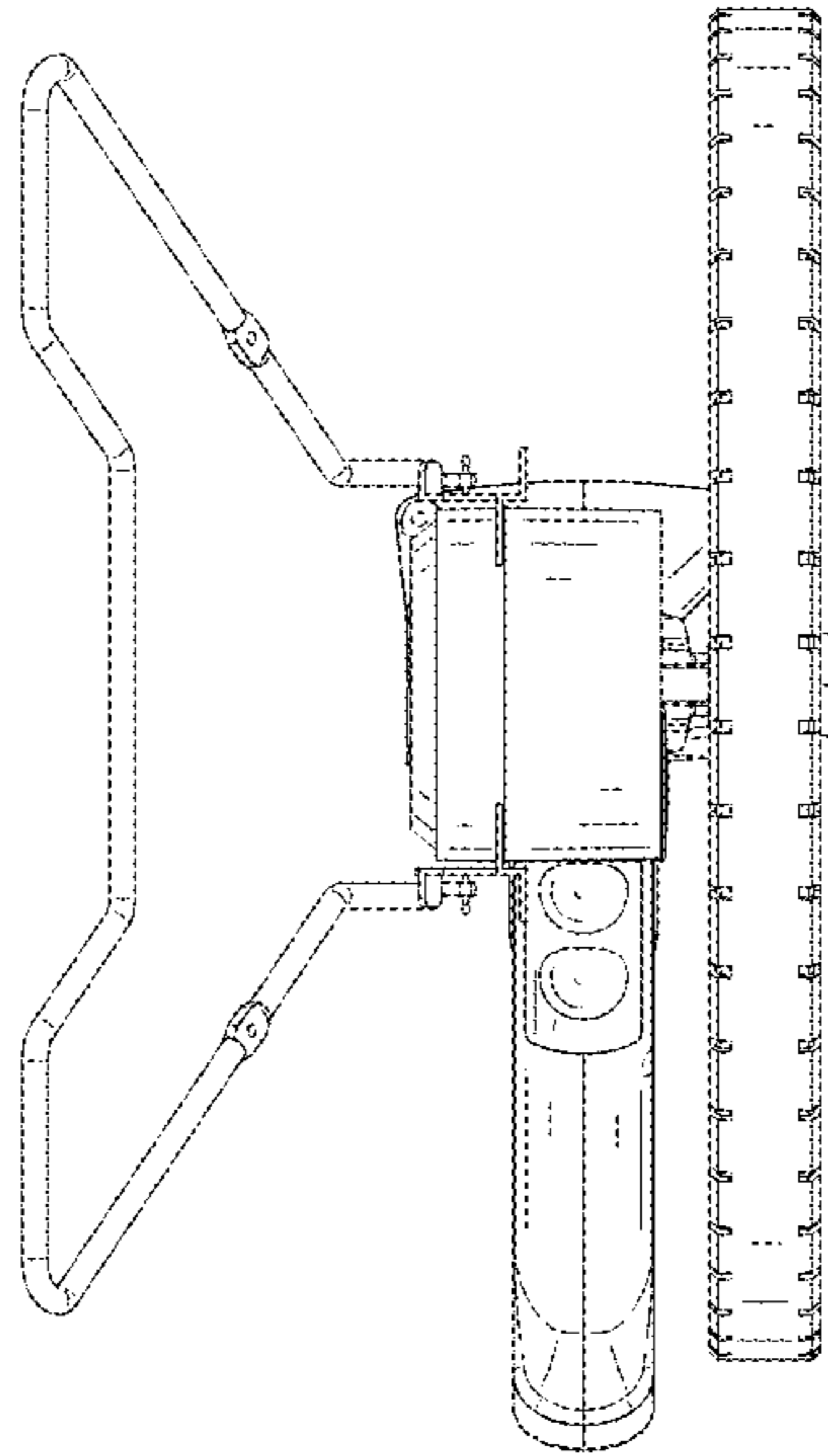


FIG. 8



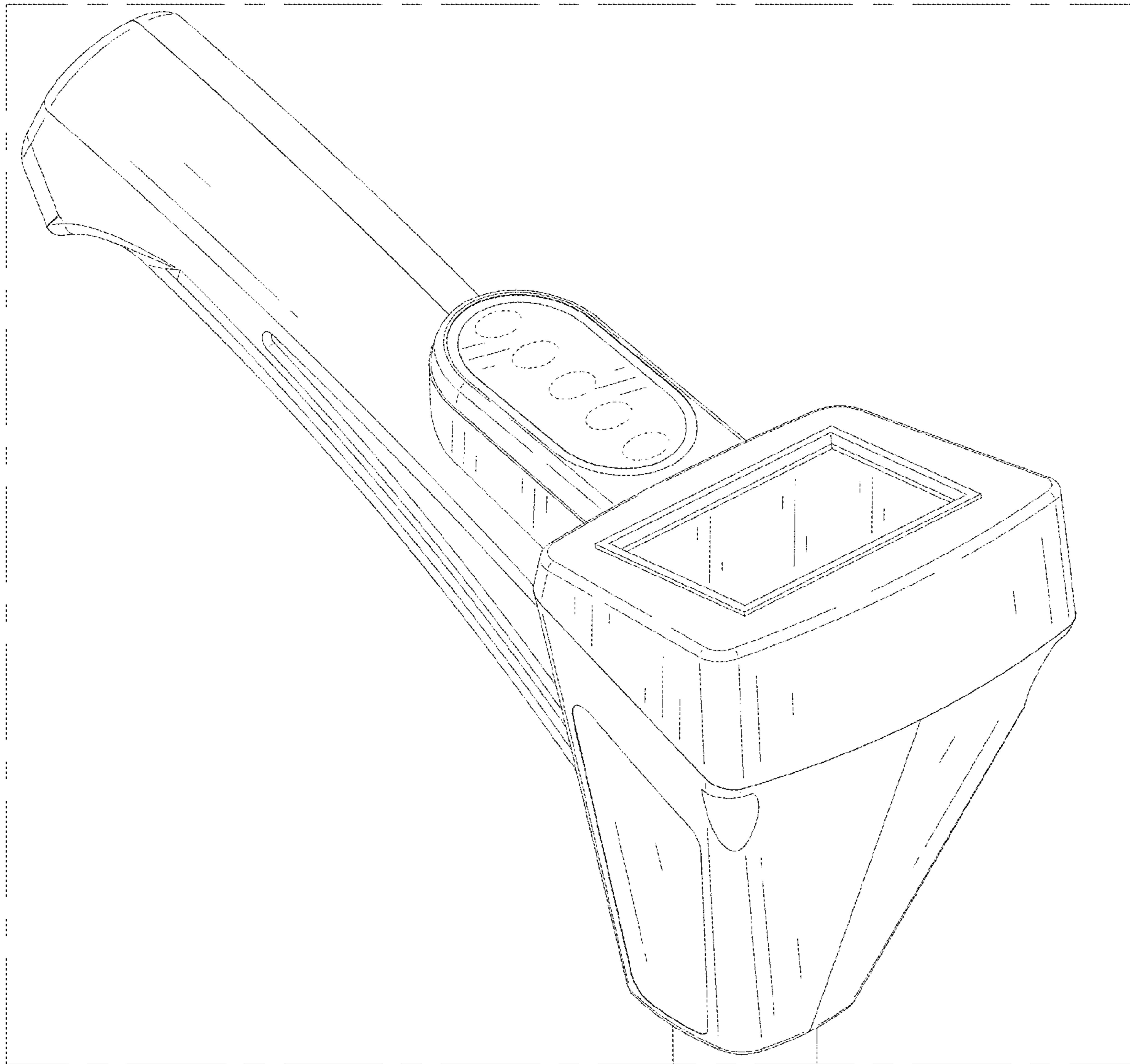


FIG. 10

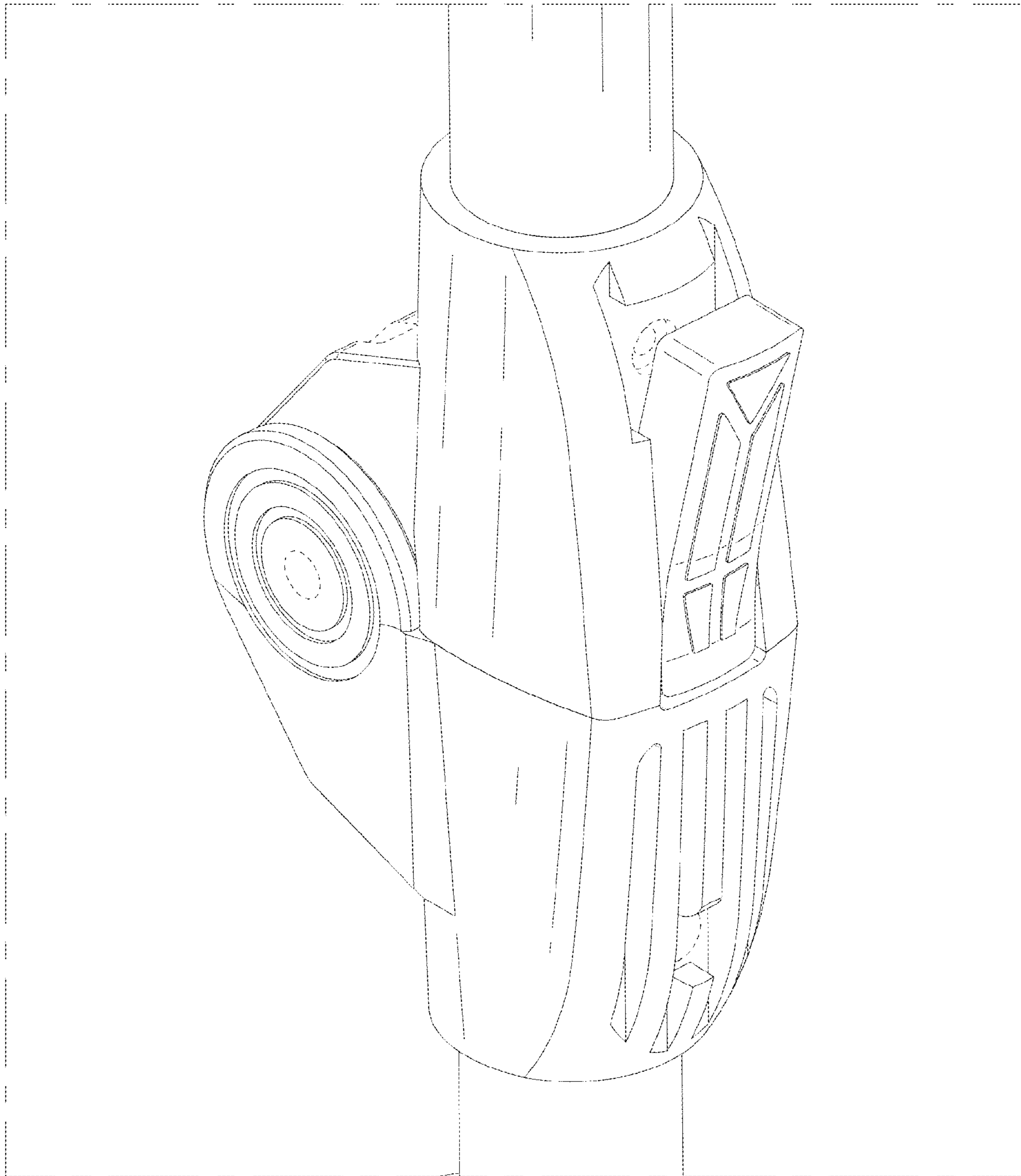


FIG. 11

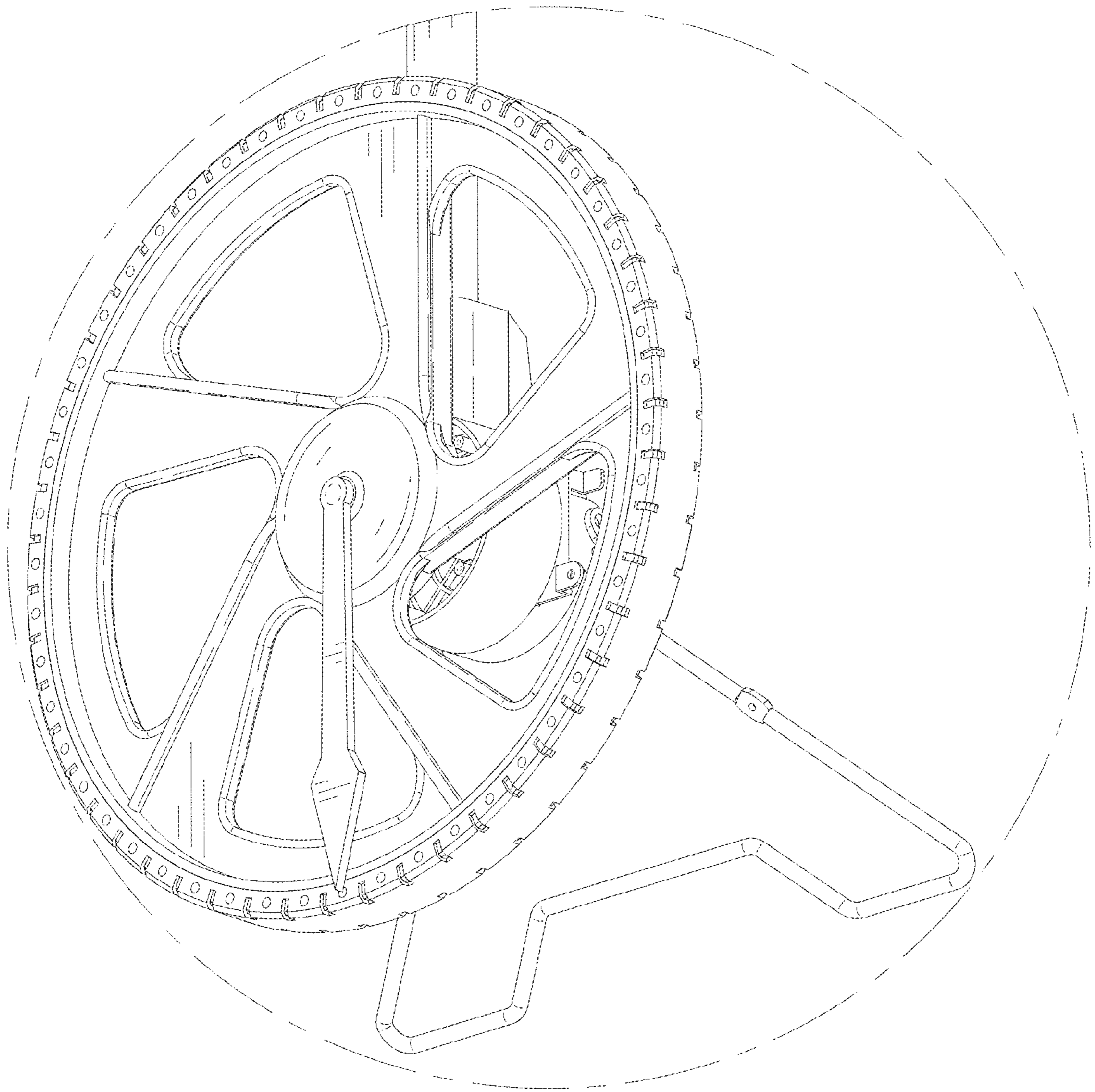


FIG. 12