



US00D927332S

(12) **United States Design Patent**  
**Geiger**

(10) **Patent No.:** **US D927,332 S**

(45) **Date of Patent:** **\*\* Aug. 10, 2021**

- (54) **T SQUARE**
- (71) Applicant: **Woodpeckers, LLC**, Strongsville, OH (US)
- (72) Inventor: **Hanna Geiger**, Strongsville, OH (US)
- (73) Assignee: **WOODPECKERS, LLC**, Strongsville, OH (US)
- (\*\*) Term: **15 Years**

2,582,649	A *	1/1952	Olson	.....	B43L 7/02	33/469
2,588,079	A *	3/1952	Boehm	.....	B43L 7/02	33/479
D265,725	S *	8/1982	Ingram	.....	D10/65	
D276,706	S *	12/1984	Jeness	.....	D10/62	
4,599,806	A *	7/1986	Wright	.....	B25H 7/02	33/469
D314,712	S *	2/1991	Kunz	.....	D10/62	
D334,540	S *	4/1993	Amann	.....	D10/62	
D374,919	S *	10/1996	Samuelson	.....	D8/307	
D853,255	S *	7/2019	Lee	.....	D10/62	

- (21) Appl. No.: **29/719,398**
- (22) Filed: **Jan. 3, 2020**
- (51) **LOC (13) Cl.** ..... **10-04**
- (52) **U.S. Cl.**  
USPC ..... **D10/65**
- (58) **Field of Classification Search**  
USPC ..... D10/61-65, 71  
CPC ..... B25H 7/02; B43L 7/00; B43L 7/02  
See application file for complete search history.

**FOREIGN PATENT DOCUMENTS**

CN 3021359 \* 10/1993

\* cited by examiner

*Primary Examiner* — Leanne Was-Englehart

(74) *Attorney, Agent, or Firm* — Sand, Sebolt & Wernow Co., LPA

(56) **References Cited**

**U.S. PATENT DOCUMENTS**

311,911	A *	2/1885	Muller	.....	B43L 7/02	33/469
1,023,242	A *	4/1912	Childs	.....	B43L 7/02	33/468
1,082,626	A *	12/1913	Foerst	.....	B43L 7/02	33/479
1,107,432	A *	8/1914	Mantz	.....	B43L 7/00	33/483
1,381,808	A *	6/1921	Davis	.....	B43L 7/02	33/469
1,458,152	A *	6/1923	Schenck	.....	B43L 7/02	33/479
1,584,839	A *	5/1926	Cameron	.....	B43L 7/00	33/449
2,246,491	A *	6/1941	Abell	.....	B43L 7/02	33/489
2,545,112	A *	3/1951	Sheridan	.....	B43L 7/02	33/468

(57) **CLAIM**

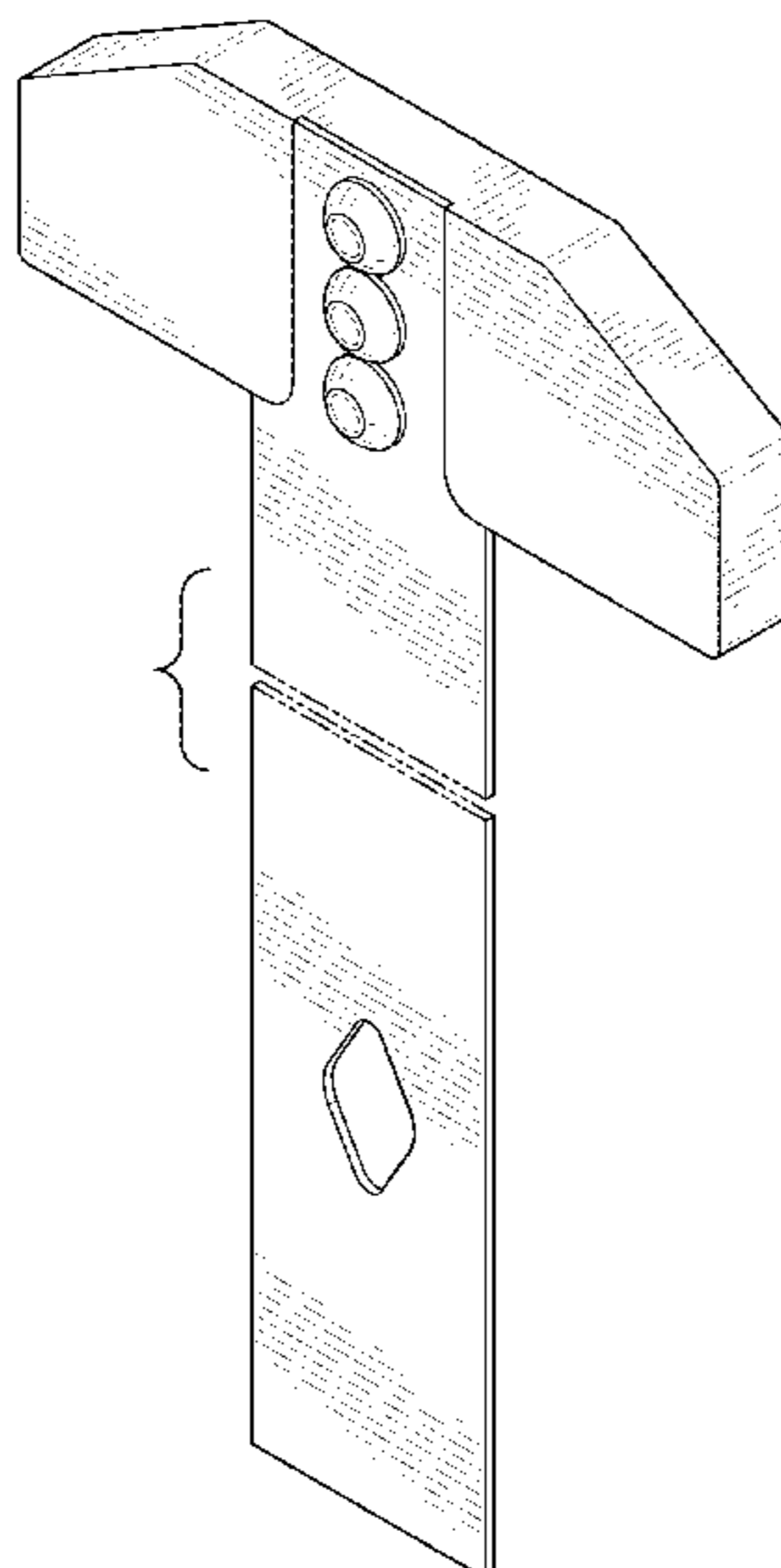
The ornamental design for a T square, as shown and described.

**DESCRIPTION**

FIG. 1 is a front, top, right side isometric perspective view of a T square in accordance with our design;  
 FIG. 2 is a front elevation view thereof;  
 FIG. 3 is a rear elevation view thereof;  
 FIG. 4 is a left side elevation view thereof;  
 FIG. 5 is a right side elevation view thereof;  
 FIG. 6 is a top plan view thereof; and,  
 FIG. 7 is a bottom plan view thereof.

The drawings contain a symbolic break. The portion between the break lines forms no part of the claimed design. The broken lines illustrate portions of the T square which form no part of the claimed design.

**1 Claim, 5 Drawing Sheets**



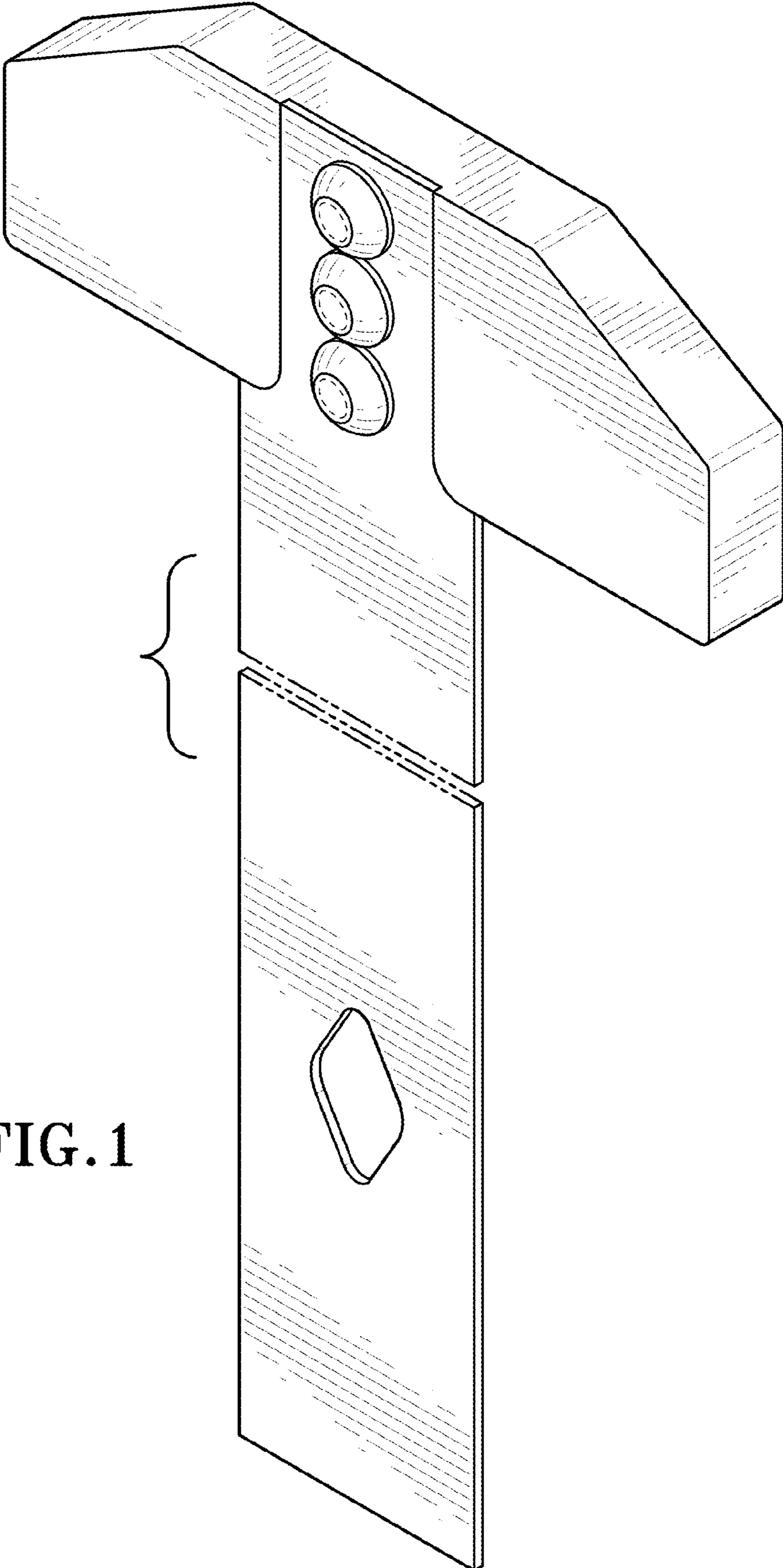


FIG. 1

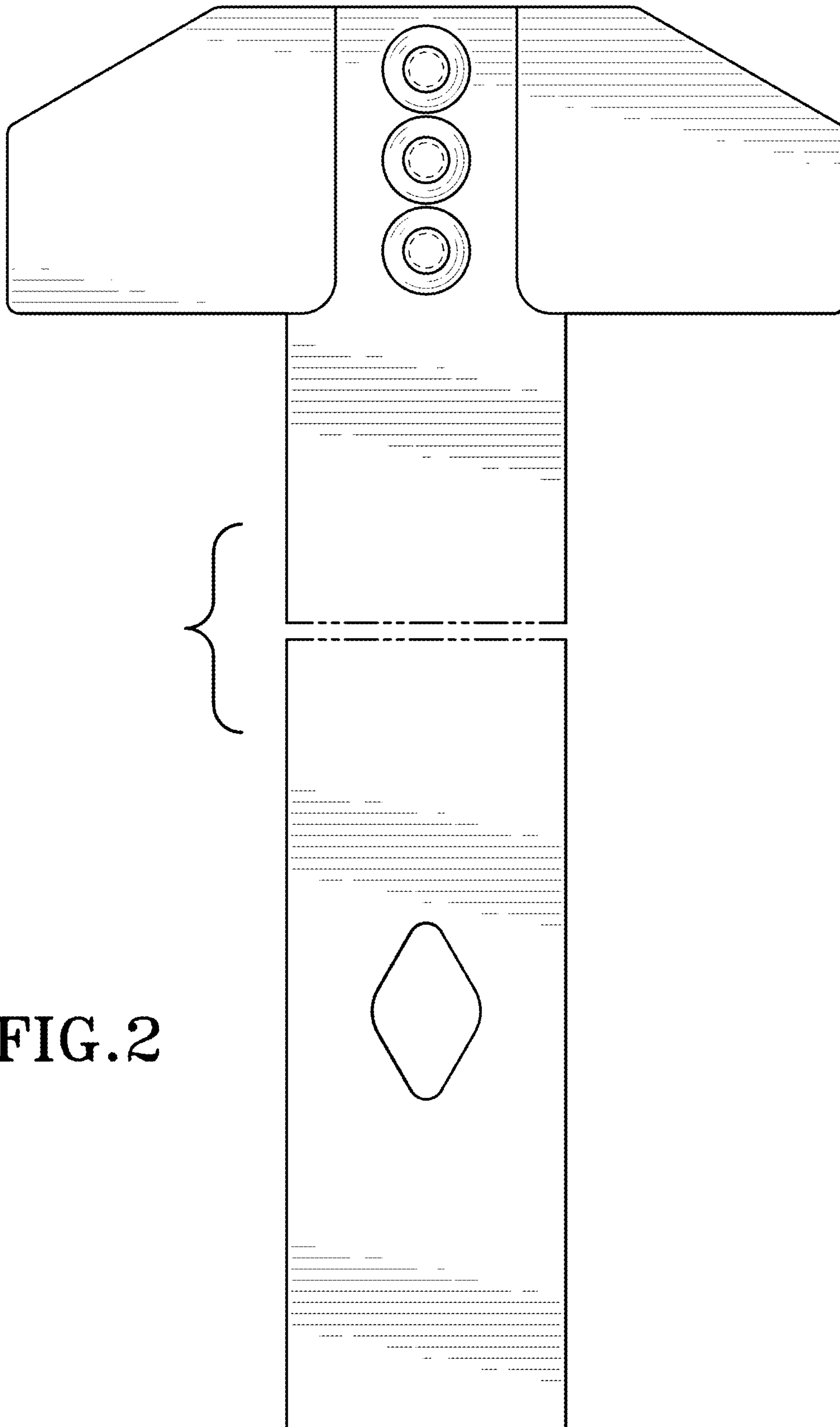


FIG. 2

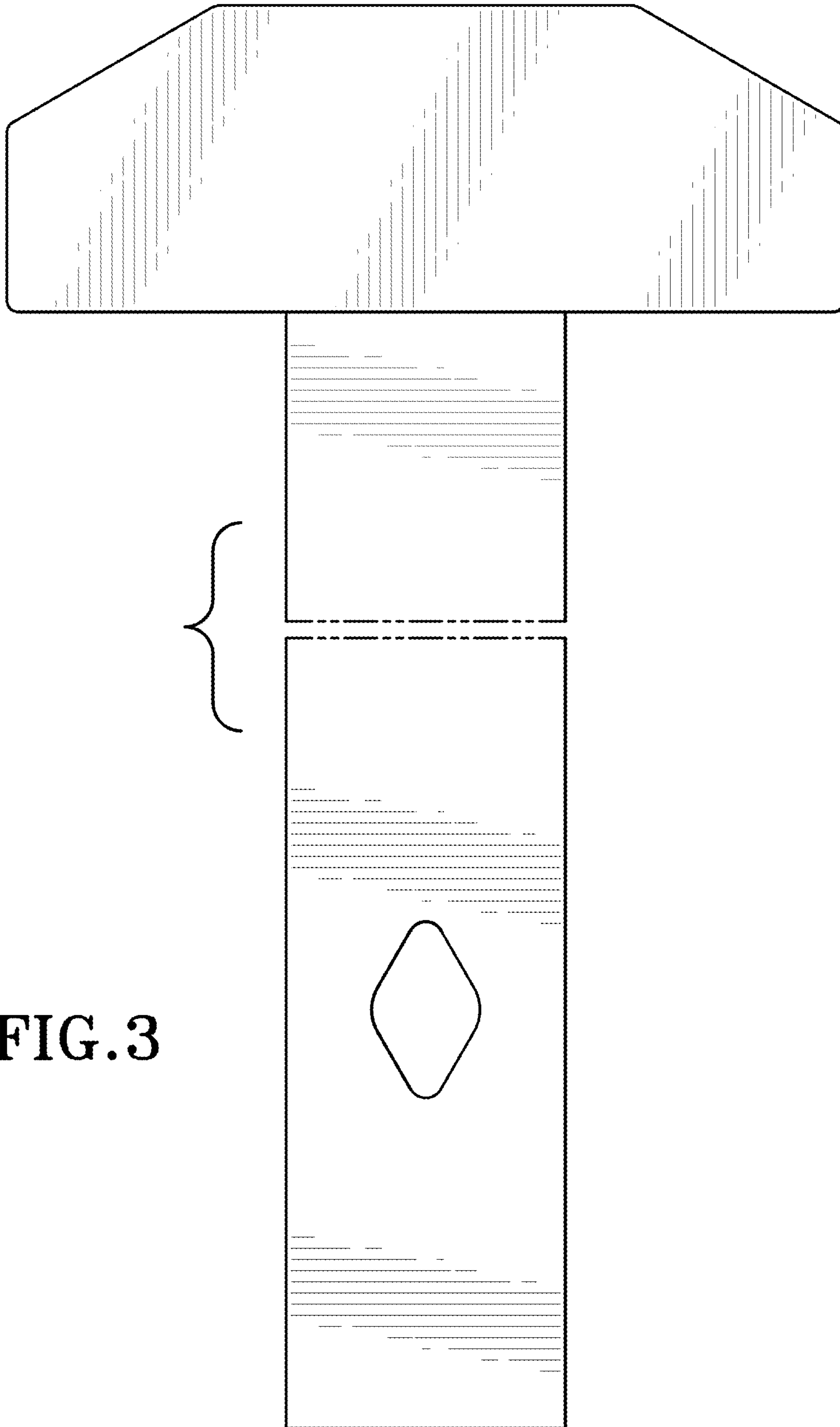


FIG. 3

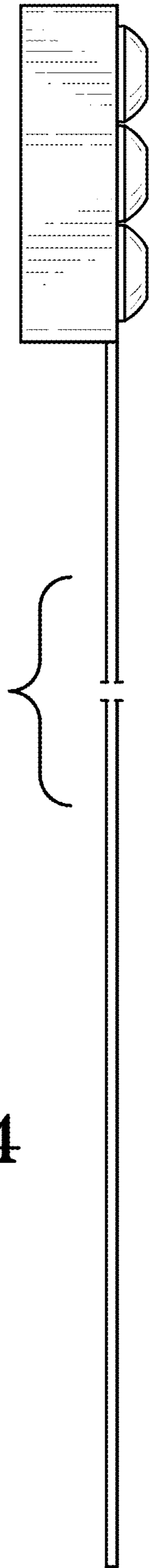


FIG. 4

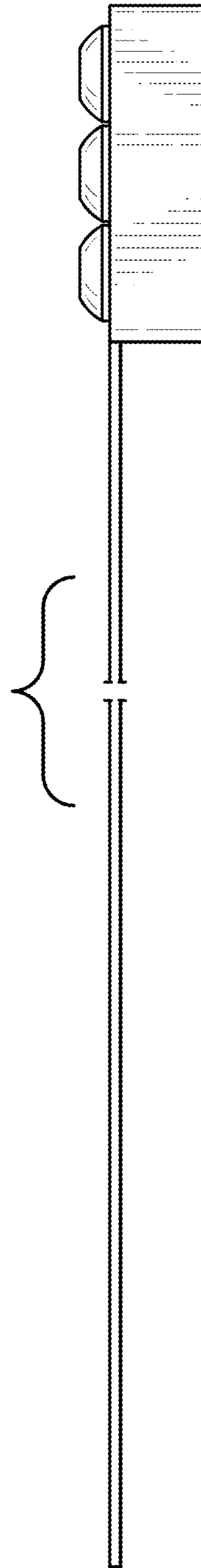


FIG. 5

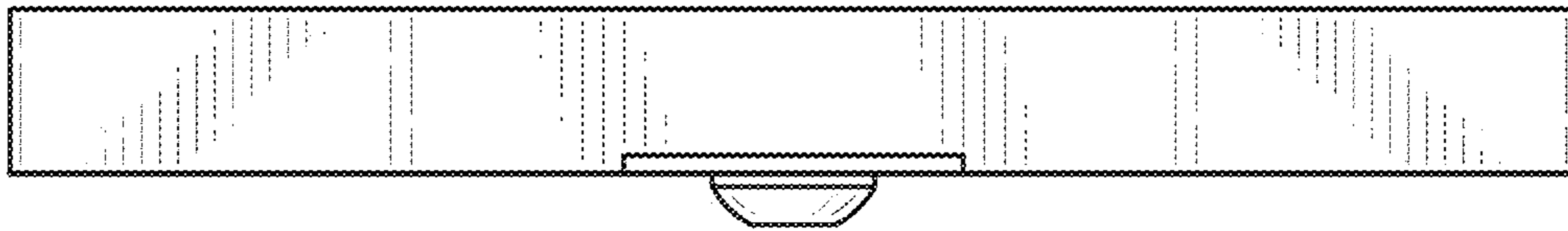


FIG. 6

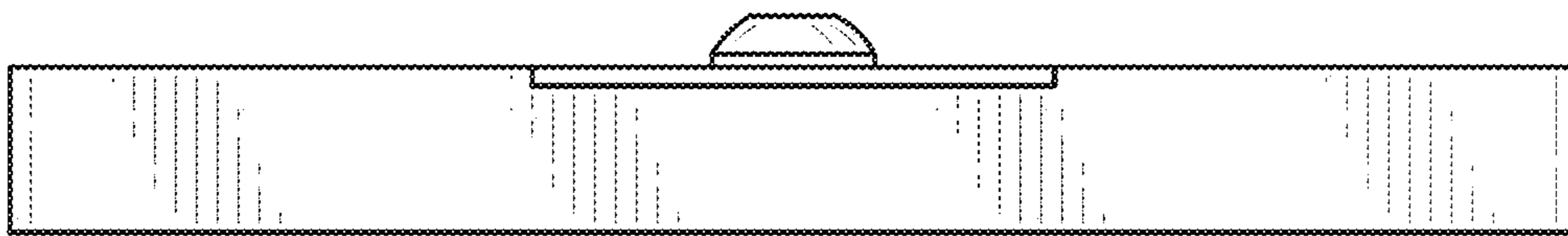


FIG. 7