



US00D927331S

(12) **United States Design Patent** (10) **Patent No.:** **US D927,331 S**
Lim (45) **Date of Patent:** **** Aug. 10, 2021**

(54) **INFRARED EAR THERMOMETER**
(71) Applicant: **Chiat Koo Lim**, Sugar Land, TX (US)
(72) Inventor: **Chiat Koo Lim**, Sugar Land, TX (US)
(**) Term: **15 Years**
(21) Appl. No.: **29/706,760**
(22) Filed: **Sep. 24, 2019**
(51) **LOC (13) Cl.** **10-04**
(52) **U.S. Cl.**
USPC **D10/57**
(58) **Field of Classification Search**
USPC D10/46, 52, 57
CPC G01K 1/02; G01K 1/022; G01K 1/024;
G01K 1/08; G01K 1/083; G01K 1/086;
G01K 13/00; G01K 13/002; G01K
13/004; G01K 5/22; G01J 5/04; G01J
5/041; G01J 5/042; G01J 5/043; G01J
5/044; G01J 5/045; G01J 5/046; G01J
5/047; G01J 5/048; G01J 5/049; G01J
5/0265

See application file for complete search history.

(56) **References Cited**

U.S. PATENT DOCUMENTS

D317,414 S	6/1991	Lanci et al.	
D370,860 S	6/1996	Pompei et al.	
D398,249 S	9/1998	Hsieh	
6,129,673 A	10/2000	Fraden	
D445,699 S *	7/2001	Lin	D10/57
D457,443 S *	5/2002	Riester-Freudenmann	D10/57
D460,006 S *	7/2002	Greubel	D10/57
D488,395 S *	4/2004	Vu	D10/57
D494,479 S *	8/2004	Hsieh	D10/57
D499,657 S *	12/2004	Lim	D10/57
6,832,989 B2	12/2004	Sato et al.	

7,063,458 B1 *	6/2006	Tabata	G01J 5/02 374/121
7,651,265 B2	1/2010	Yang et al.	
D664,053 S *	7/2012	Lacotta	D10/57
D666,111 S *	8/2012	Lacotta	D10/57
D676,770 S *	2/2013	Lacotta	D10/57
D693,247 S *	11/2013	Juhng	D10/57
D723,396 S *	3/2015	Chen	D10/57
D804,332 S *	12/2017	Lim	D10/57
D827,457 S *	9/2018	Liu	D10/57
D842,137 S *	3/2019	Wang	D10/57
D843,242 S *	3/2019	Wang	D10/57
D843,243 S *	3/2019	Wang	D10/57
D856,827 S *	8/2019	Liang	D10/57
D862,717 S *	10/2019	Khubani	D24/200
D871,239 S *	12/2019	Liang	D10/57
D873,157 S *	1/2020	Gao	D10/57
D881,041 S *	4/2020	Luo	D10/57
D891,948 S *	8/2020	Chen	D10/57
2008/0285618 A1	11/2008	Chen	

* cited by examiner

Primary Examiner — Leanne Was-Englehart

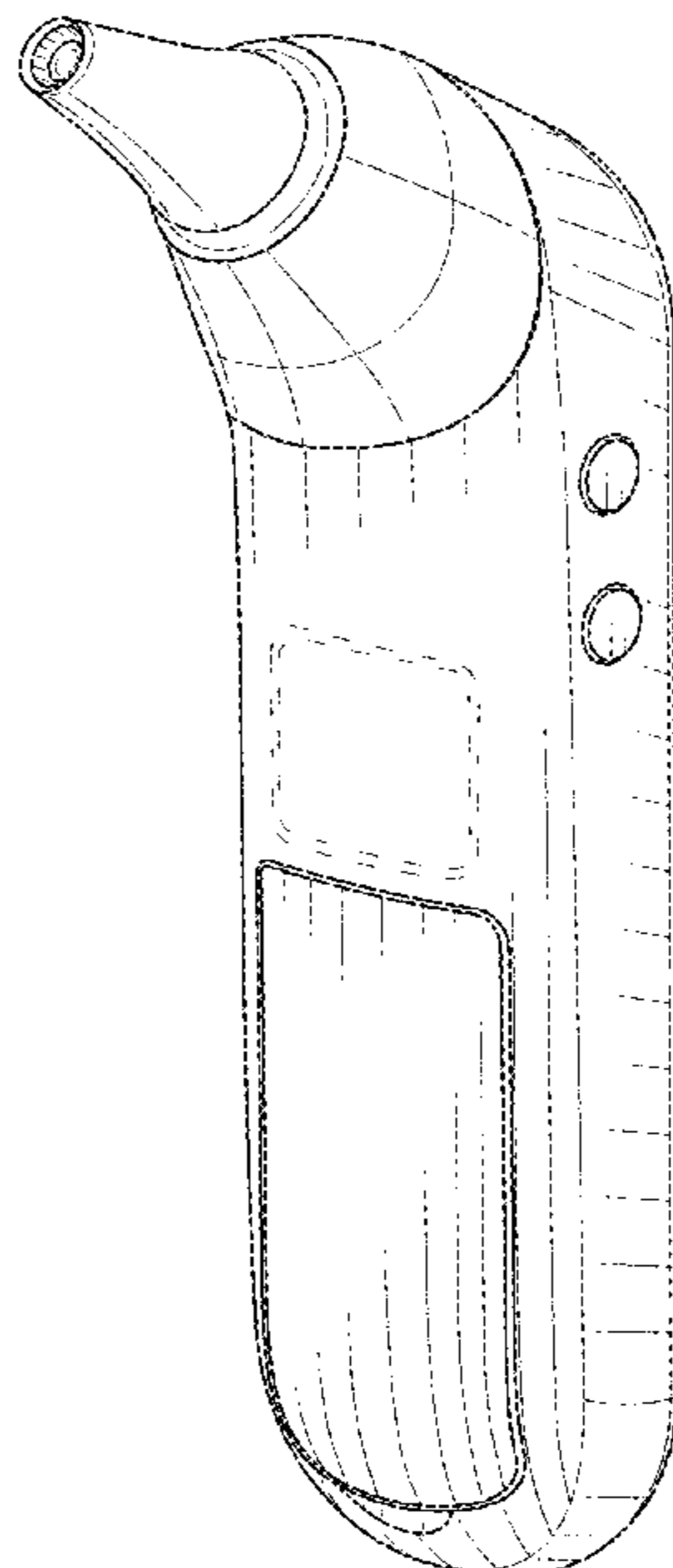
(57) **CLAIM**

I claim the ornamental design for an infrared ear thermometer, as shown and described.

DESCRIPTION

FIG. 1 is a rear perspective view of an infrared ear thermometer, showing our new design;
FIG. 2 is a front perspective view thereof;
FIG. 3 is a rear elevational view thereof;
FIG. 4 is a front elevational view thereof;
FIG. 5 is a right-side elevational view thereof;
FIG. 6 is a left-side elevational view thereof;
FIG. 7 is a top plan view thereof; and,
FIG. 8 is a bottom plan view thereof.
The broken lines in the figures depict environmental matter and form no part of the claimed design.

1 Claim, 6 Drawing Sheets



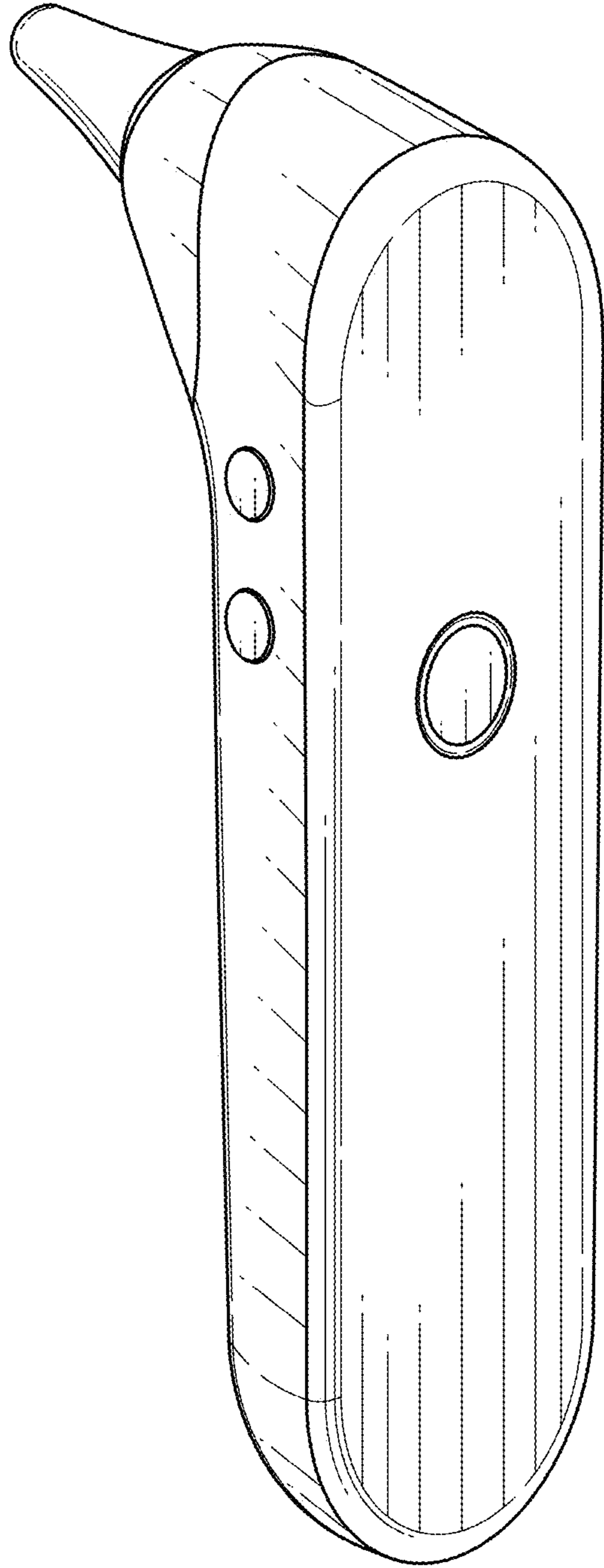


FIG. 1

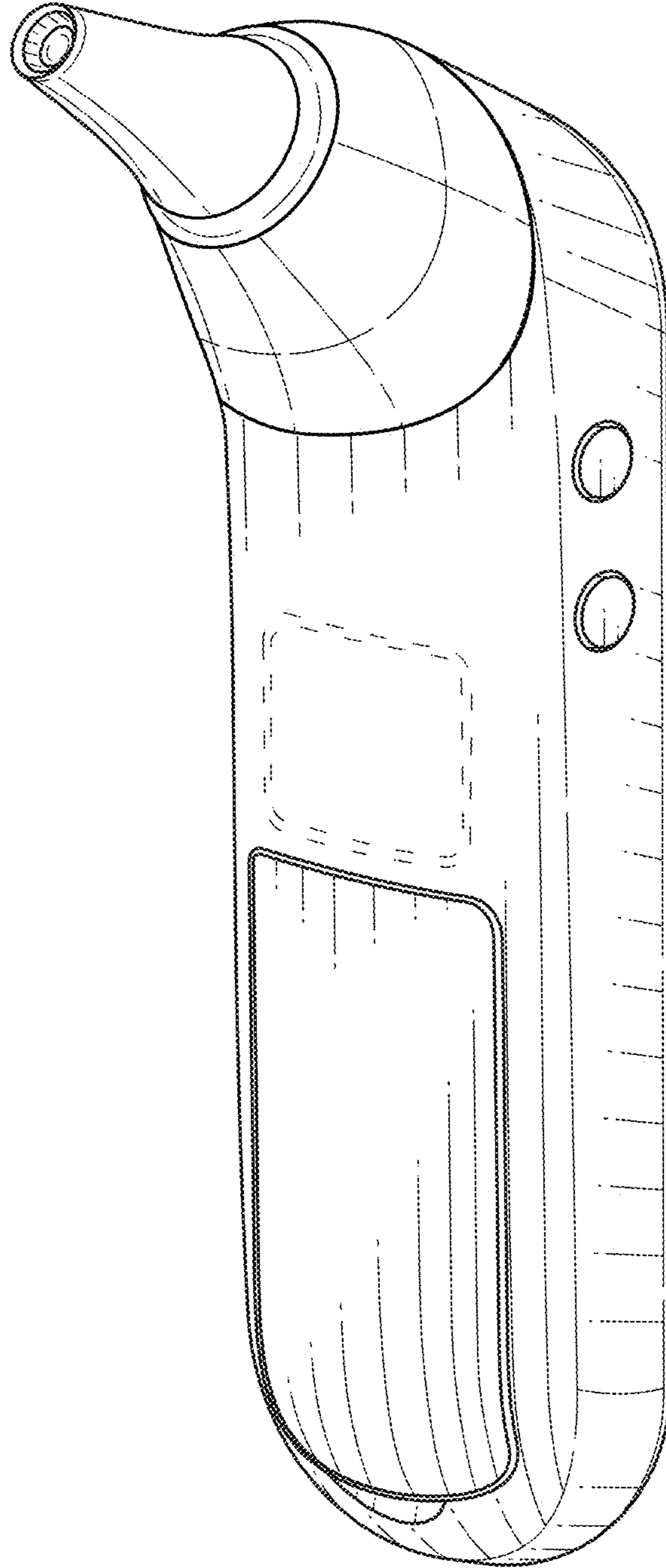


FIG. 2

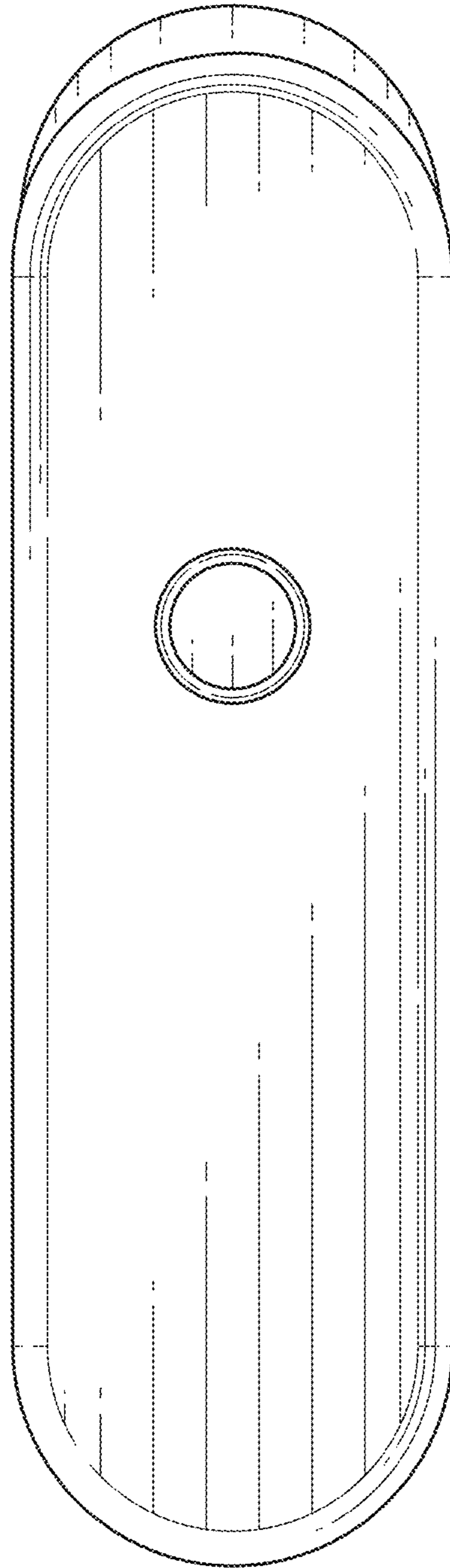


FIG. 3

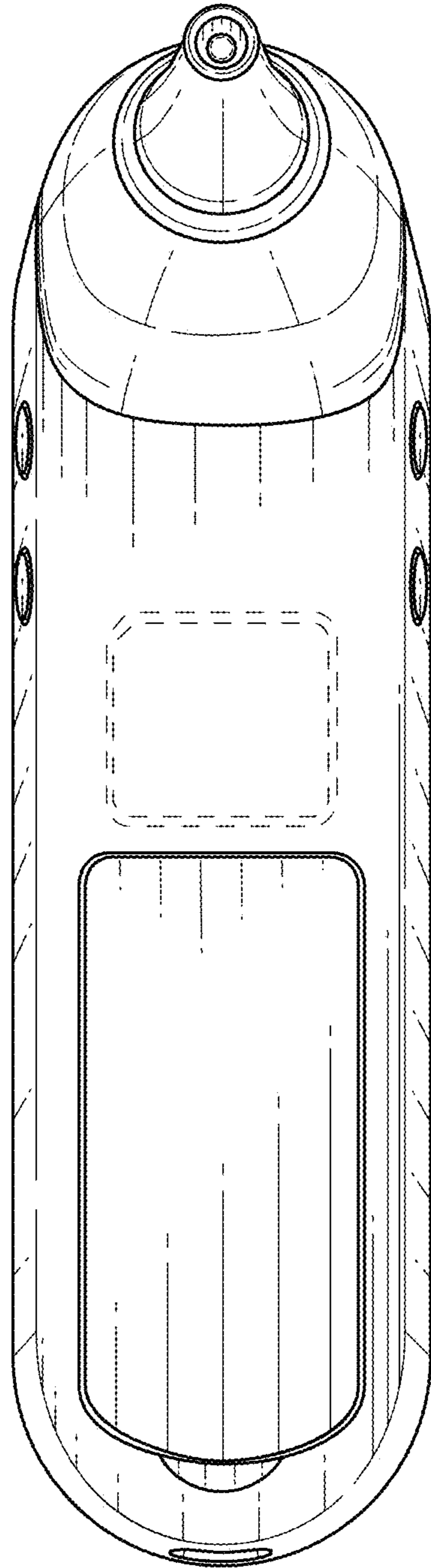


FIG. 4

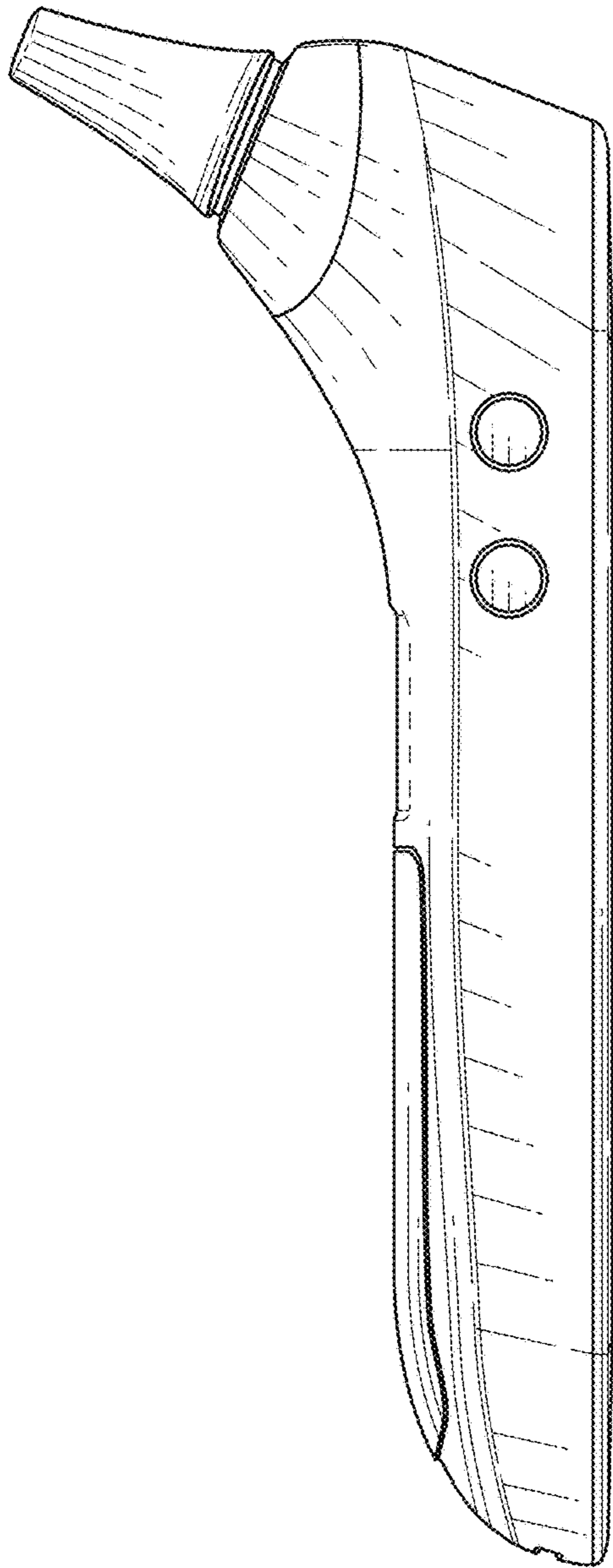


FIG. 5

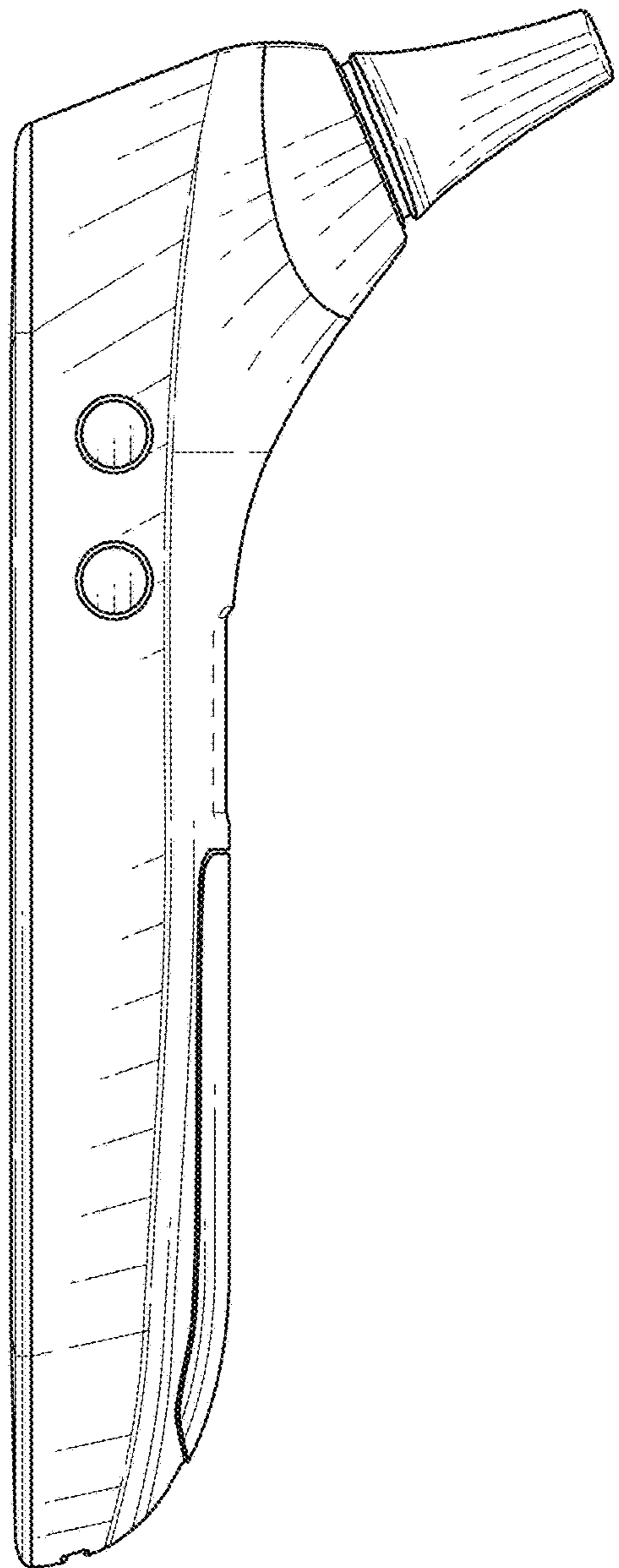


FIG. 6

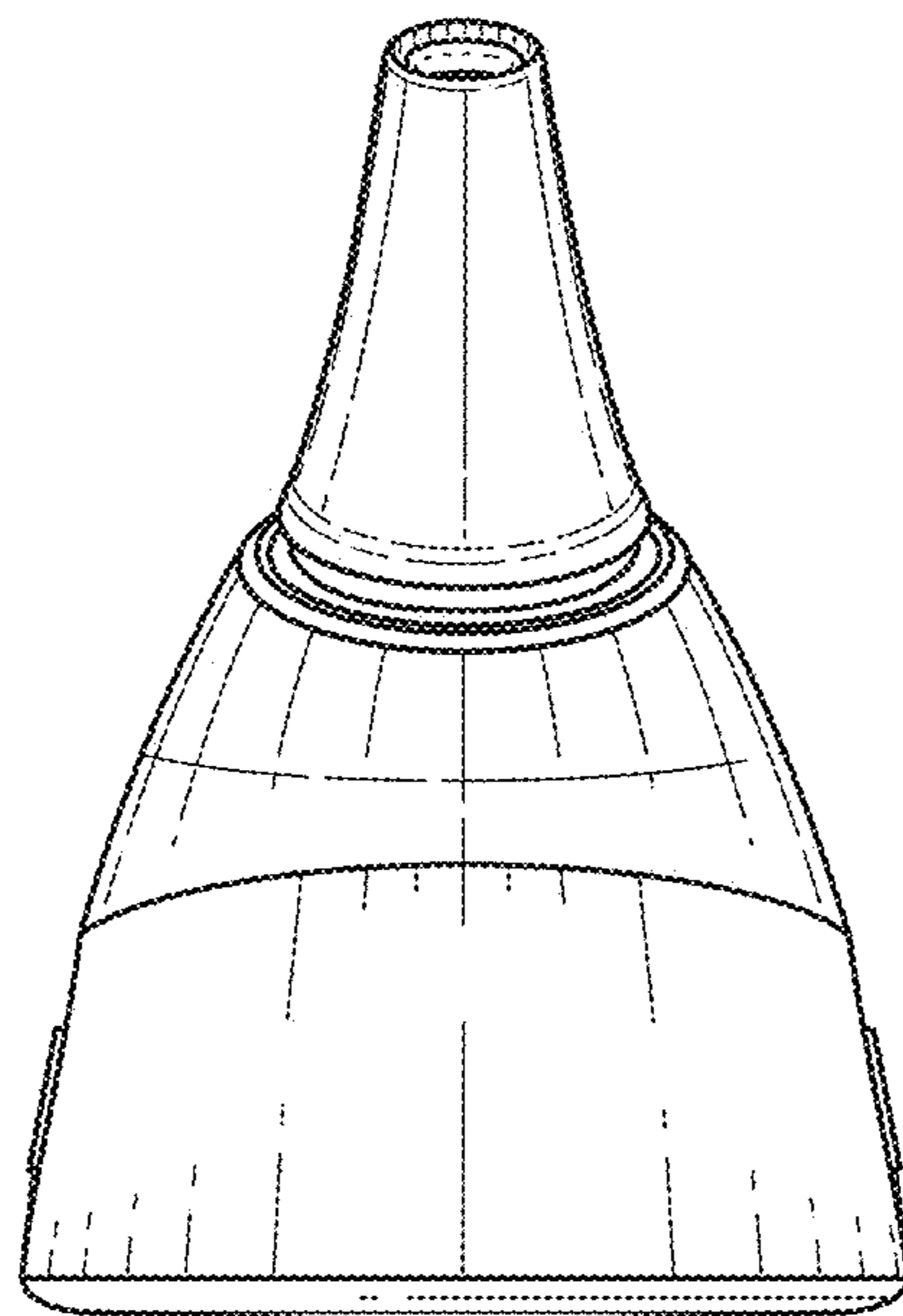


FIG. 7

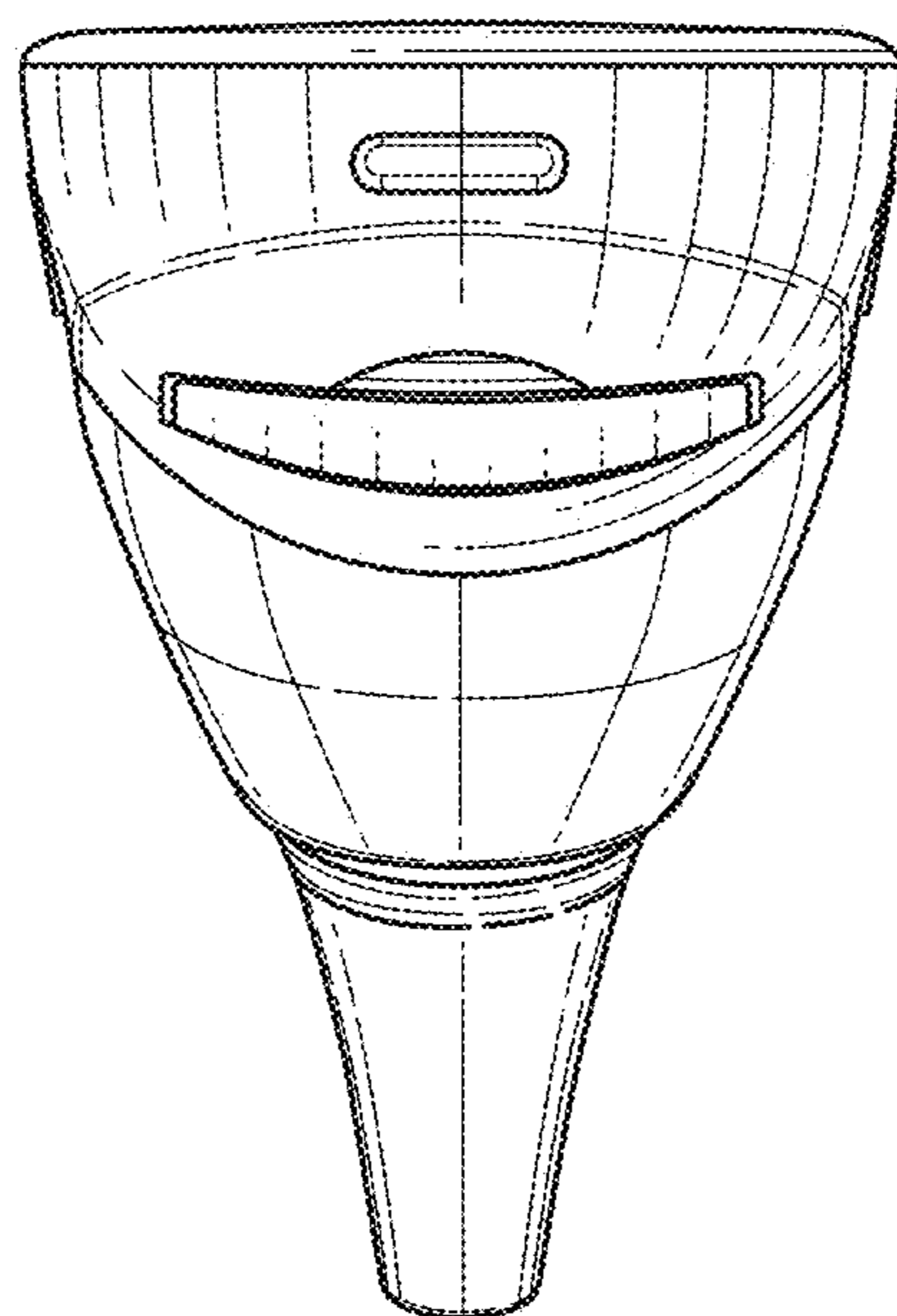


FIG. 8