



US00D927329S

(12) **United States Design Patent**  
**Cadwell**

(10) **Patent No.:** **US D927,329 S**

(45) **Date of Patent:** **\*\* Aug. 10, 2021**

(54) **WATER BOTTLE DRINK TRACKER**

(71) Applicant: **Tyler Cadwell**, Scottsdale, AZ (US)

(72) Inventor: **Tyler Cadwell**, Scottsdale, AZ (US)

(\*\*) Term: **15 Years**

(21) Appl. No.: **29/679,964**

(22) Filed: **Feb. 12, 2019**

(51) **LOC (13) Cl.** ..... **21-01**

(52) **U.S. Cl.**

USPC ..... **D10/46.1**; D11/3

(58) **Field of Classification Search**

USPC ..... D10/40-41, 46.1, 97; D11/3-6, 11, 49,  
D11/78.1, 82, 86, 94, 200-201, 204-205,  
D11/212-213, 218

CPC .... A44C 5/00; A44C 5/02; A44C 5/08; A44C  
5/12; A44C 5/0061; A44C 5/0076; A44C  
5/022; A44C 5/025; A44C 5/027; A44C  
5/102; A44C 5/105; G04F 1/00; G04F  
3/00; G04F 3/02; G04F 3/06; G04F 7/00;  
G04F 7/06; G04F 7/065; G09F 3/005

See application file for complete search history.

(56) **References Cited**

**U.S. PATENT DOCUMENTS**

1,659,438 A \* 2/1928 Nelson ..... A44C 5/08  
59/79.3  
D76,040 S \* 8/1928 Pennino ..... D11/4  
1,741,271 A \* 12/1929 Barrowman ..... A44C 5/102  
59/80  
D97,222 S \* 10/1935 Chernow ..... D11/6  
D106,219 S \* 9/1937 Sauer, Jr. .... D11/3  
2,322,461 A \* 6/1943 Mariano ..... A44C 5/00  
63/3  
4,361,408 A \* 11/1982 Wirtschafter ..... A61J 7/0472  
221/2  
D381,046 S \* 7/1997 Hiers ..... D11/5  
D404,317 S \* 1/1999 Cameron ..... D10/30  
D477,781 S \* 7/2003 Lavallee ..... D11/4  
D497,566 S \* 10/2004 Pucci ..... D11/11

D525,538 S \* 7/2006 Oas ..... D10/32  
D591,633 S \* 5/2009 Del Valle ..... D11/3  
D617,231 S \* 6/2010 Adamson ..... D11/4  
D672,678 S \* 12/2012 Nadeau ..... D11/11

(Continued)

**OTHER PUBLICATIONS**

H2OFlip | posted at etsy.com; review date May 2016 [online], ©  
2020 Etsy, Inc. [retrieved Oct. 16, 2020] from Internet: <https://  
www.etsy.com/au/shop/H2Oflip> (Year: 2016).\*

(Continued)

*Primary Examiner* — Katherine Glennon

(74) *Attorney, Agent, or Firm* — Bycer Law, PLC;  
Matthew L. Bycer

(57)

**CLAIM**

I claim the ornamental design for water bottle drink tracker,  
as shown and described.

**DESCRIPTION**

FIG. 1 is a front view of a water bottle drink tracker showing  
my new design;

FIG. 2 is a rear view thereof;

FIG. 3 is a top view thereof;

FIG. 4 is a bottom view thereof;

FIG. 5 is a left side view thereof;

FIG. 6 is a right side view thereof;

FIG. 7 is a front perspective thereof;

FIG. 8 is a rear perspective thereof;

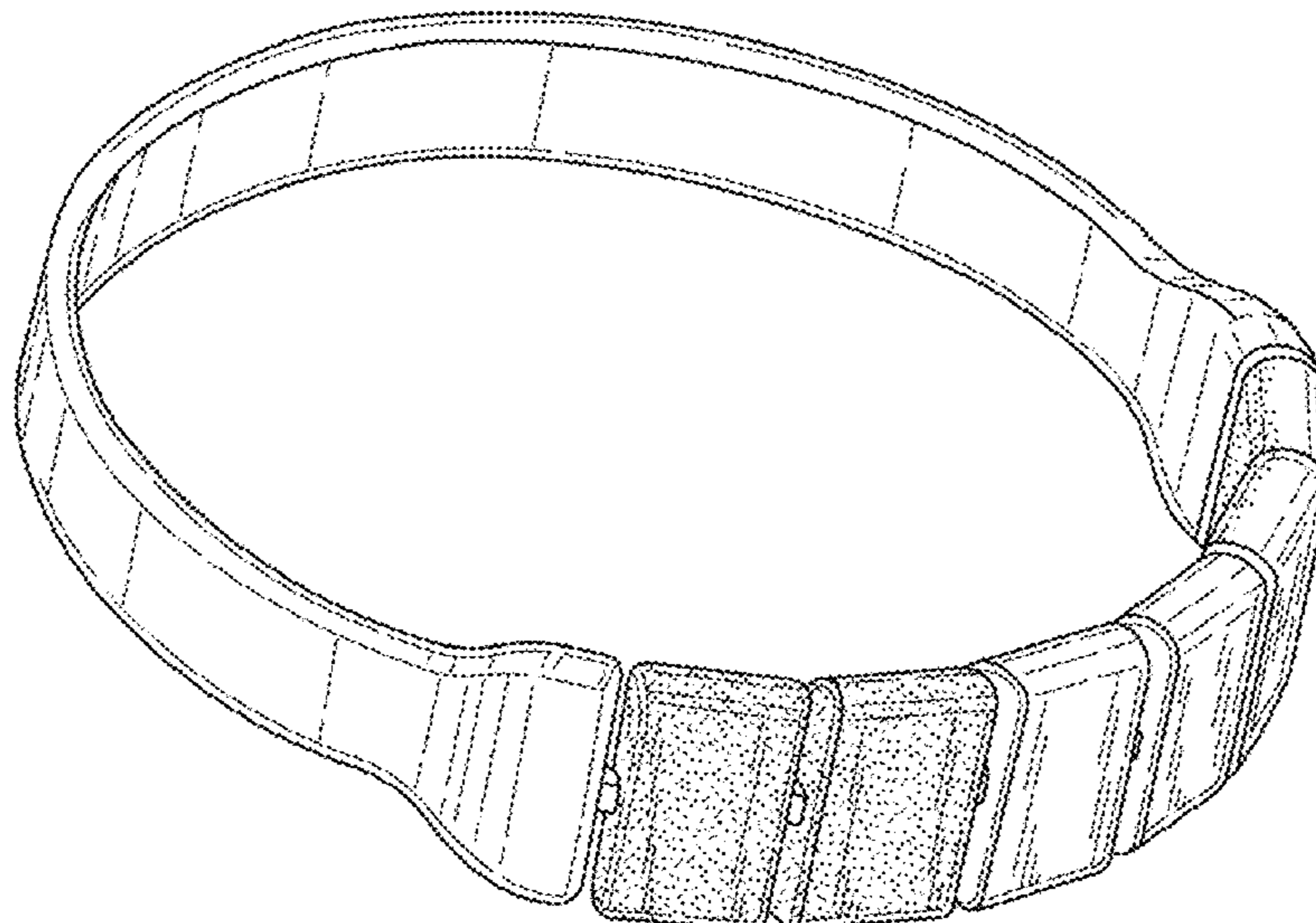
FIG. 9 is a front perspective view thereof, shown in an  
environment of use;

FIG. 10 is a front view thereof, shown in an environment of  
use; and,

FIG. 11 is a front perspective view thereof, shown in an  
environment of use and with one tab partially rotated.

The broken lines illustrate environmental structure and form  
no part of the claimed design.

**1 Claim, 10 Drawing Sheets**



(56)

**References Cited**

U.S. PATENT DOCUMENTS

D681,504 S \* 5/2013 Kalbach ..... D11/201  
 D683,350 S \* 5/2013 Jarosinski ..... D14/480.5  
 D685,031 S \* 6/2013 Holtz ..... D20/22  
 D714,178 S \* 9/2014 Sabbioni ..... D11/3  
 D742,256 S \* 11/2015 Rivera ..... D10/46.1  
 D742,272 S \* 11/2015 Bailey ..... D11/3  
 D771,507 S \* 11/2016 McQueeney ..... D10/46.1  
 D778,173 S \* 2/2017 Pisarevsky ..... D9/719  
 D819,574 S \* 6/2018 Masoud ..... D13/147  
 D831,522 S \* 10/2018 Gruosi-Scheufele ..... D11/4  
 D855,488 S \* 8/2019 Jablonski ..... D11/3  
 D871,955 S \* 1/2020 Naqvi ..... D11/6  
 D876,978 S \* 3/2020 McCarthy ..... D11/4  
 2006/0062085 A1 \* 3/2006 Evans ..... G04B 47/00  
 368/10  
 2006/0120218 A1 \* 6/2006 Lansing ..... A61J 7/0409  
 368/10

2008/0210586 A1 \* 9/2008 Didio ..... G09F 3/005  
 206/457  
 2009/0026103 A1 \* 1/2009 Sieber ..... A47G 23/16  
 206/459.1  
 2010/0144429 A1 \* 6/2010 Ryan ..... G06Q 20/382  
 463/29  
 2015/0153239 A1 \* 6/2015 Pantchenko ..... G01K 3/04  
 374/142  
 2017/0032697 A1 \* 2/2017 Alibozek ..... G09B 19/12  
 2017/0178535 A1 \* 6/2017 Vignola ..... G06F 1/163

OTHER PUBLICATIONS

Slide Number Hollow Slide Charms | diyloket.com; date reviewed  
 Apr. 7, 2018 [online], © [retrieved Oct. 21, 2020] from Internet:  
 <<https://www.diyloket.com/8mm-silver-slide-number-hollow-slide-charms-0-9-fit-diy-wristband-bracelet-lssl023/#product-reviews>> (Year:  
 2018).\*

\* cited by examiner

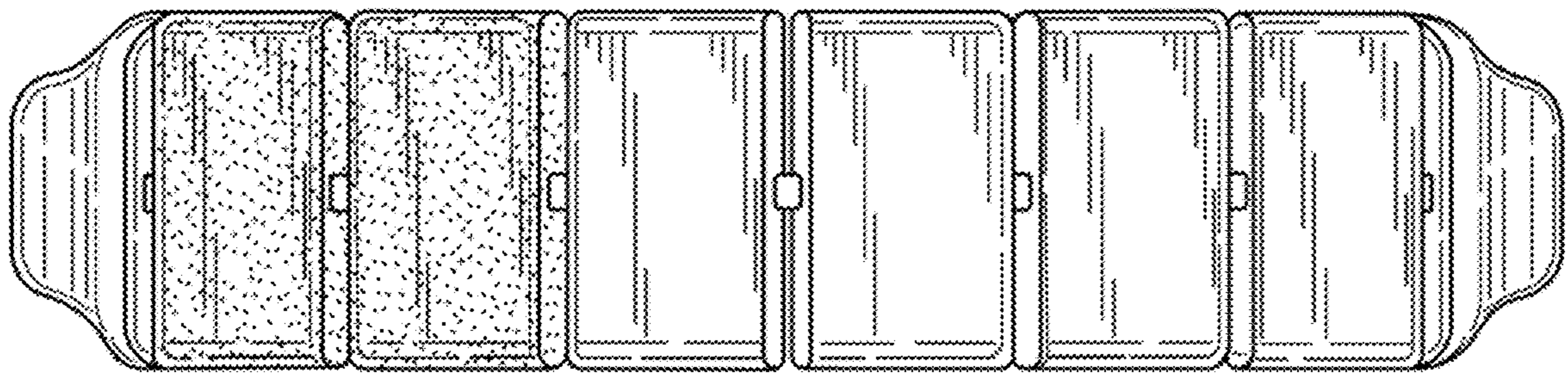


FIG.1



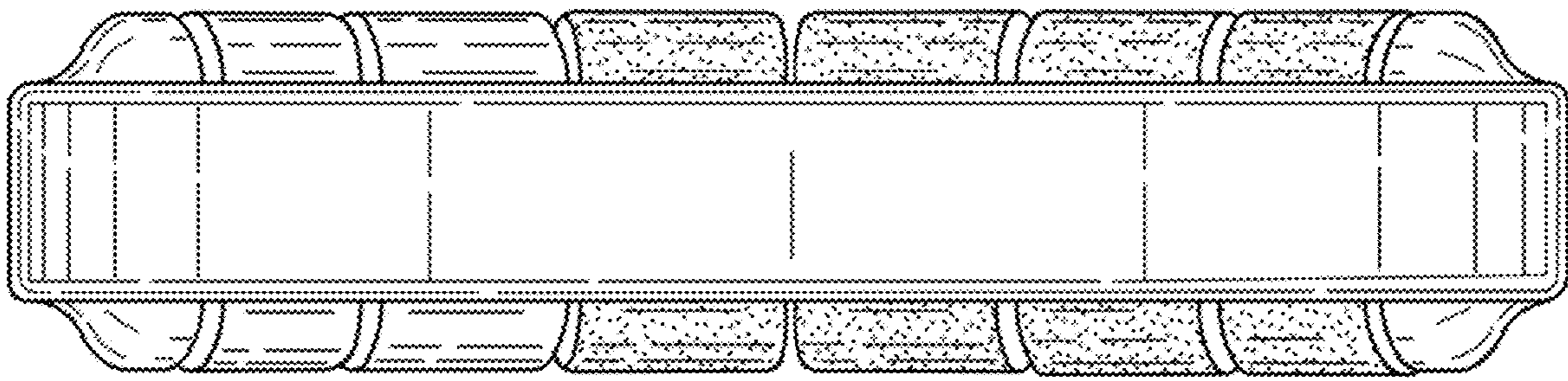


FIG.2

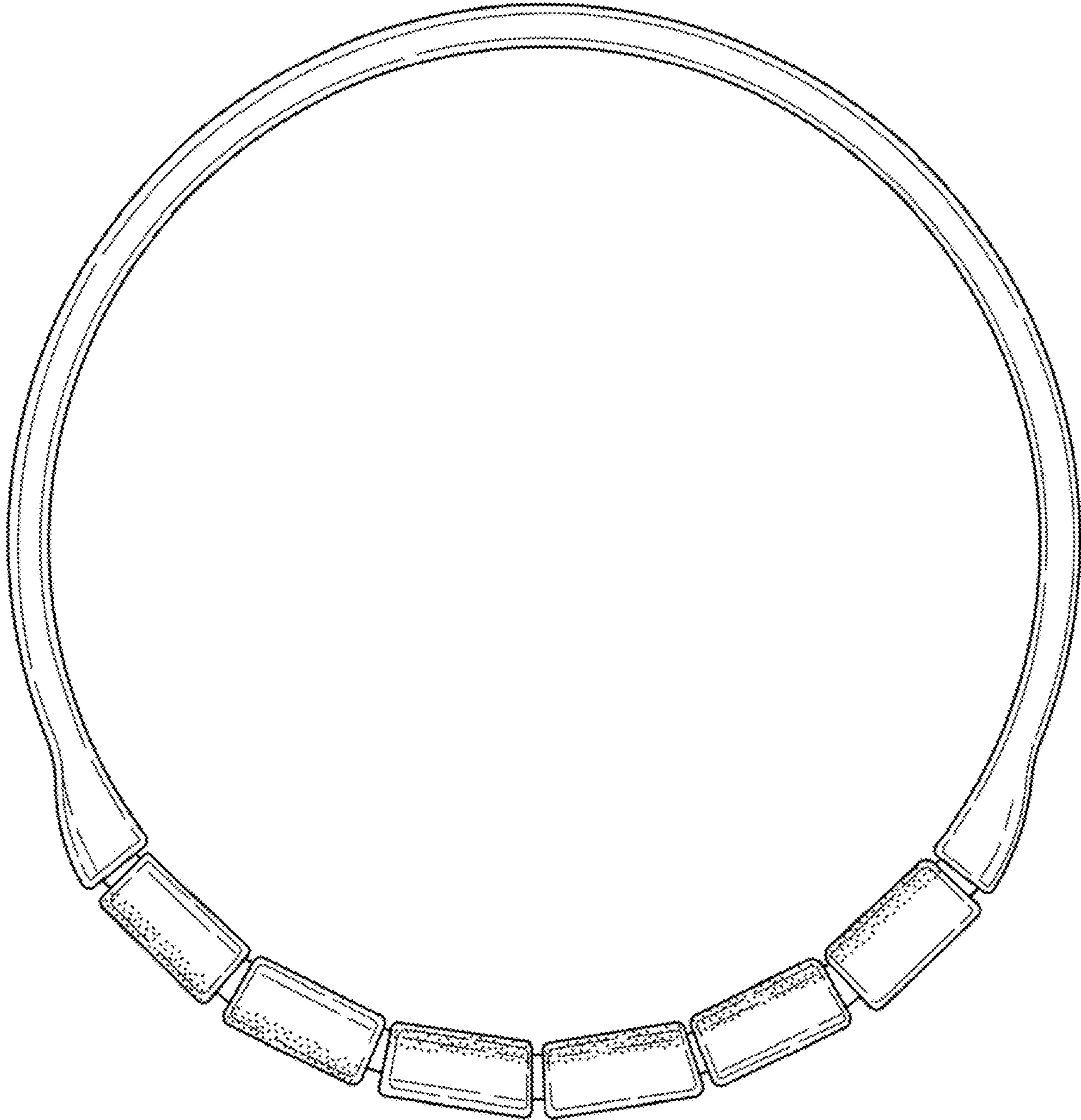


FIG.3



FIG.4

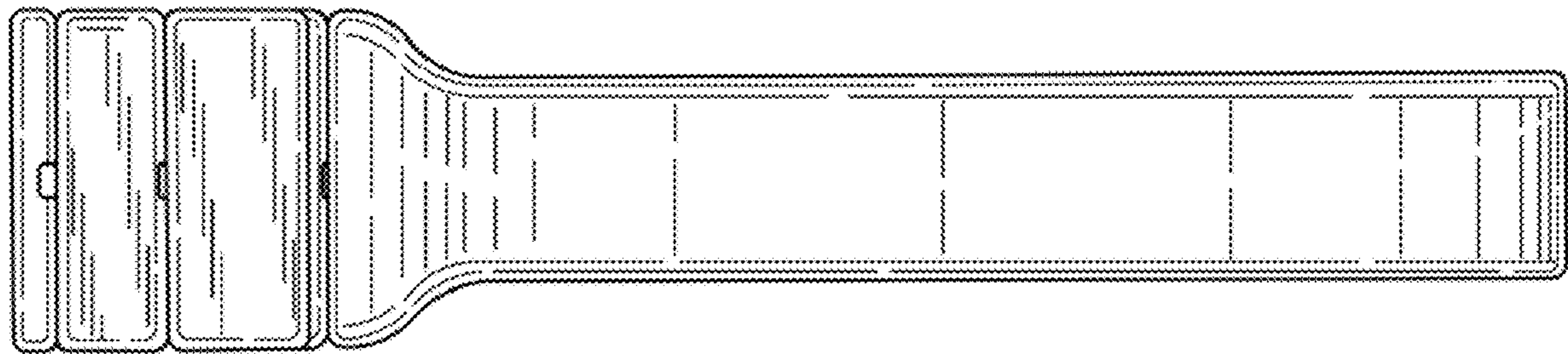


FIG.5

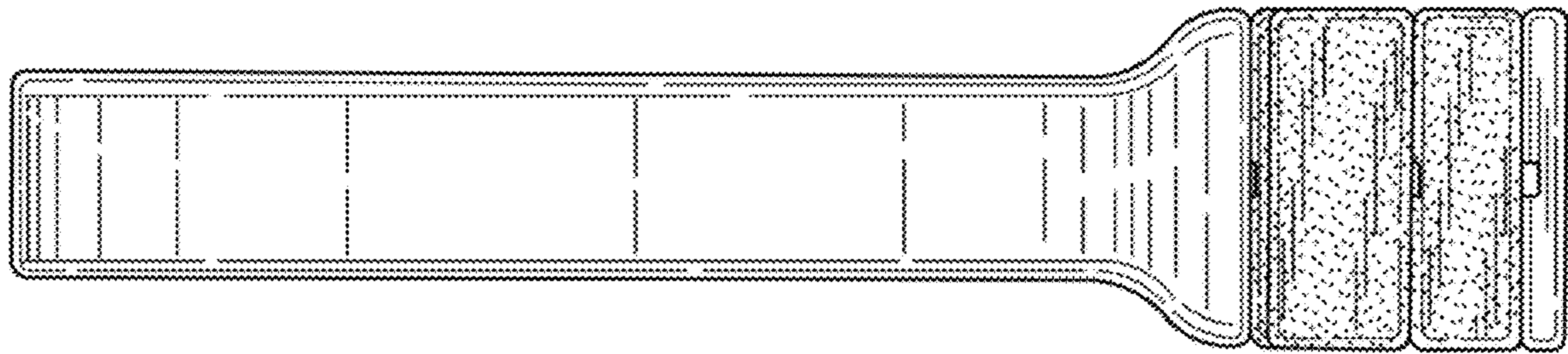


FIG.6



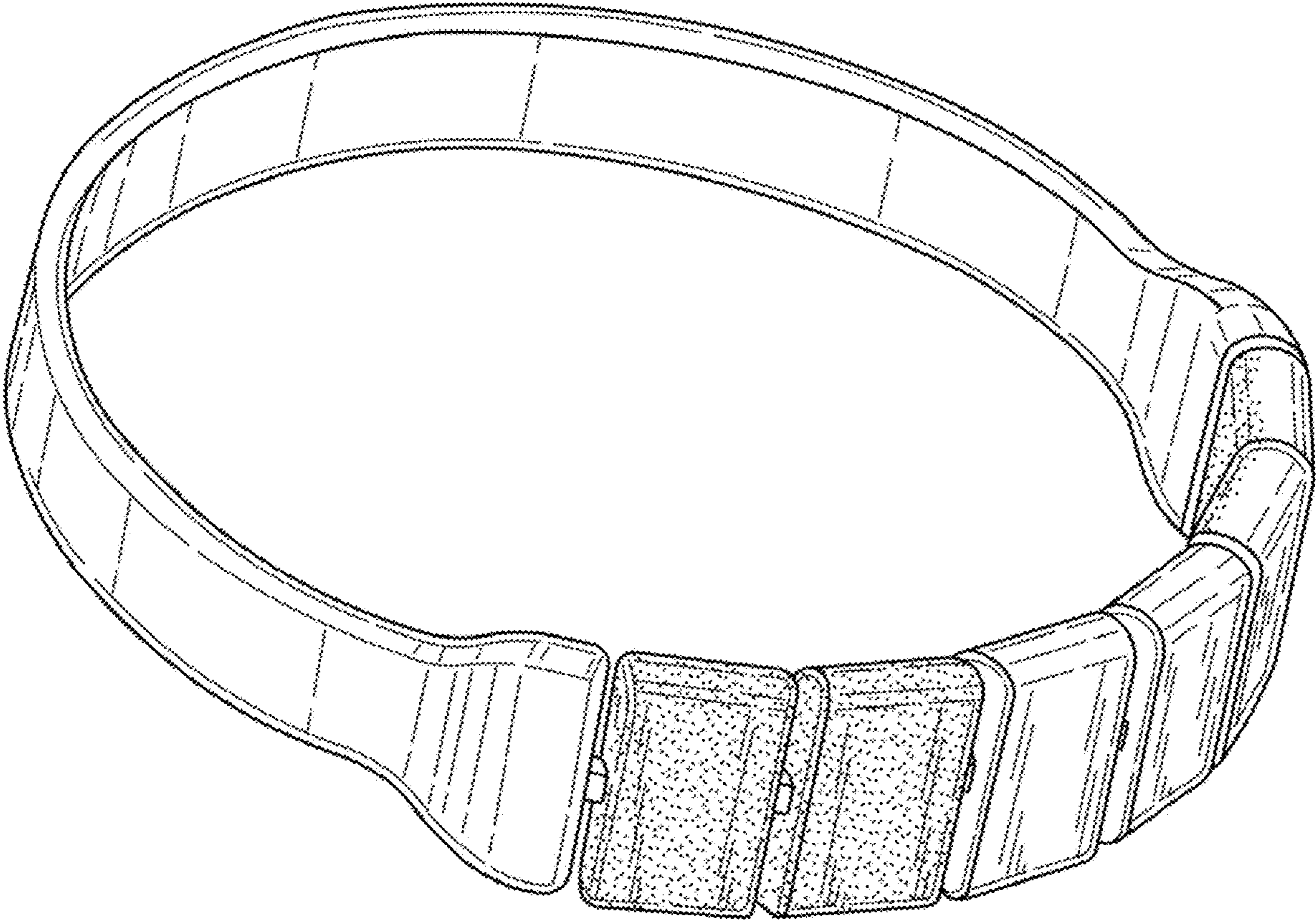


FIG.7

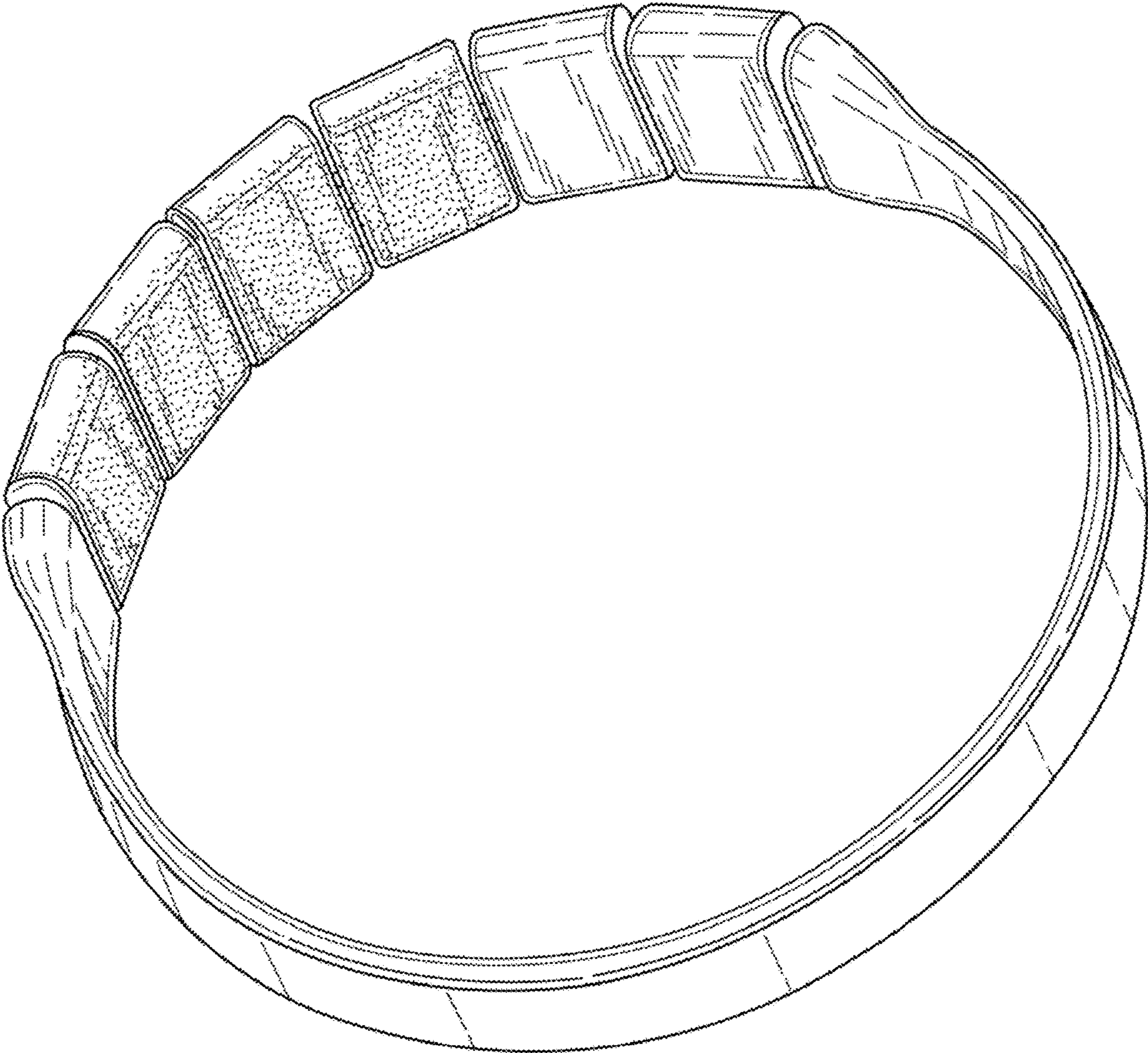


FIG.8

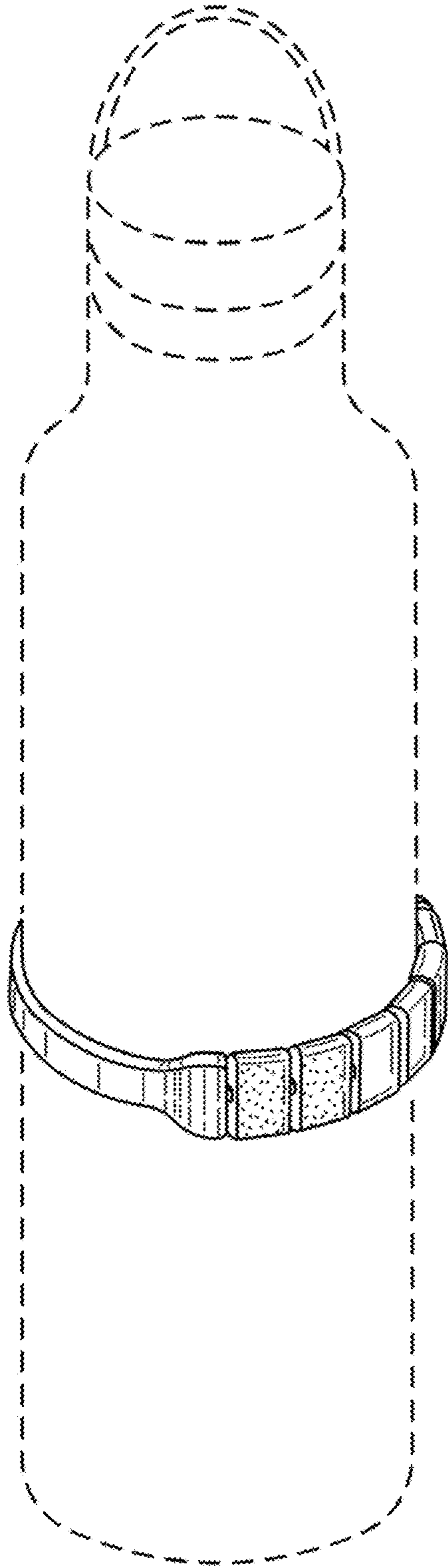


FIG. 9

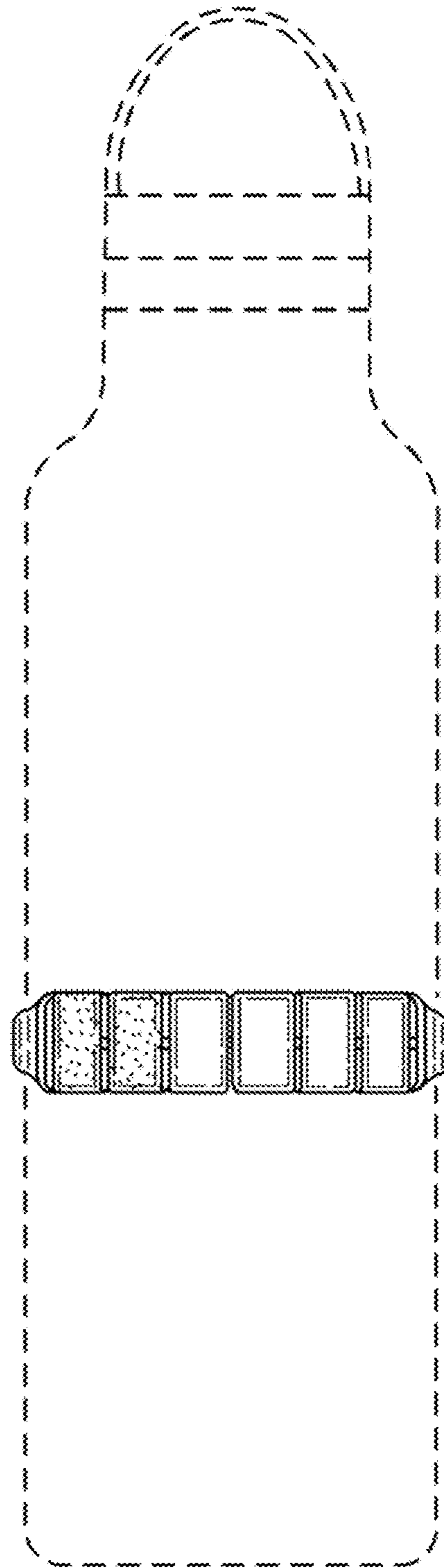


FIG. 10

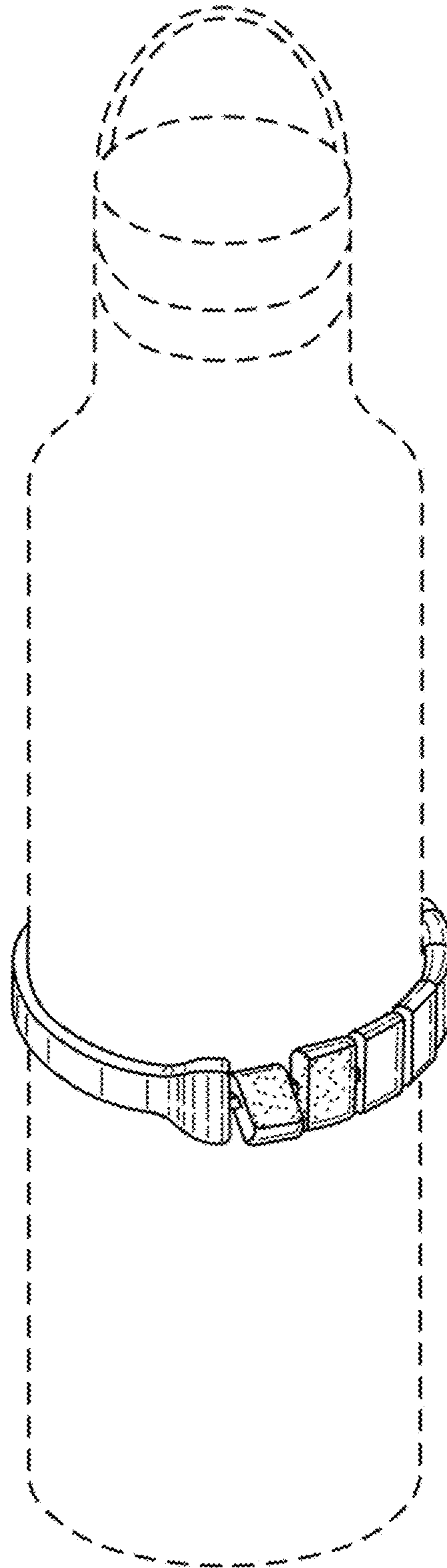


FIG.11