



US00D927327S

(12) **United States Design Patent** (10) **Patent No.:** **US D927,327 S**
Lenterman (45) **Date of Patent:** **** Aug. 10, 2021**

(54) **WATCH CASE**
(71) Applicant: **Intro-Tech Automotive, Inc**, Chino, CA (US)
(72) Inventor: **Henri Lenterman**, Chino Hills, CA (US)
(**) Term: **15 Years**
(21) Appl. No.: **29/714,493**
(22) Filed: **Nov. 22, 2019**
(51) **LOC (13) Cl.** **10-02**
(52) **U.S. Cl.**
USPC **D10/38**
(58) **Field of Classification Search**
USPC D10/30-39, 65, 70, 98, 121-126, D10/131-132; D14/344; D24/167, 186
CPC G04B 19/00; G04B 19/025; G04B 19/04; G04B 19/06; G04B 19/065; G04B 19/08; G04B 19/085; G04B 19/10; G04B 19/103; G04B 19/12; G04B 37/00; G04B 37/0058; G04B 37/1486; G04B 45/00; G04B 45/0069; G04B 45/0076
See application file for complete search history.

D586,155 S * 2/2009 Lenterman D6/654
D586,165 S * 2/2009 Lenterman D6/705
D591,178 S * 4/2009 Magada D10/38
D596,509 S * 7/2009 Kume D10/38
D629,703 S * 12/2010 Giannini D10/32
D666,925 S * 9/2012 Ahlstrom D10/32
D693,618 S * 11/2013 Lenterman D6/716.6
D701,067 S * 3/2014 Lenterman D6/708.16
D762,493 S * 8/2016 Galli D10/39
D772,731 S * 11/2016 Michele D10/39
D855,479 S * 8/2019 Charrier D10/30
D884,490 S * 5/2020 Lalo D10/38
D899,958 S * 10/2020 Berka D11/26

OTHER PUBLICATIONS

Assorted wheel rim watches on eBay.com, captured Apr. 20, 2014.
Six Spoke Wheel Watch on Zazzle.com, captured Nov. 22, 2019.
(Continued)

Primary Examiner — Katherine Glennon
(74) *Attorney, Agent, or Firm* — The Law Office of Austin Bonderer, PC; Austin Bonderer

(57) **CLAIM**

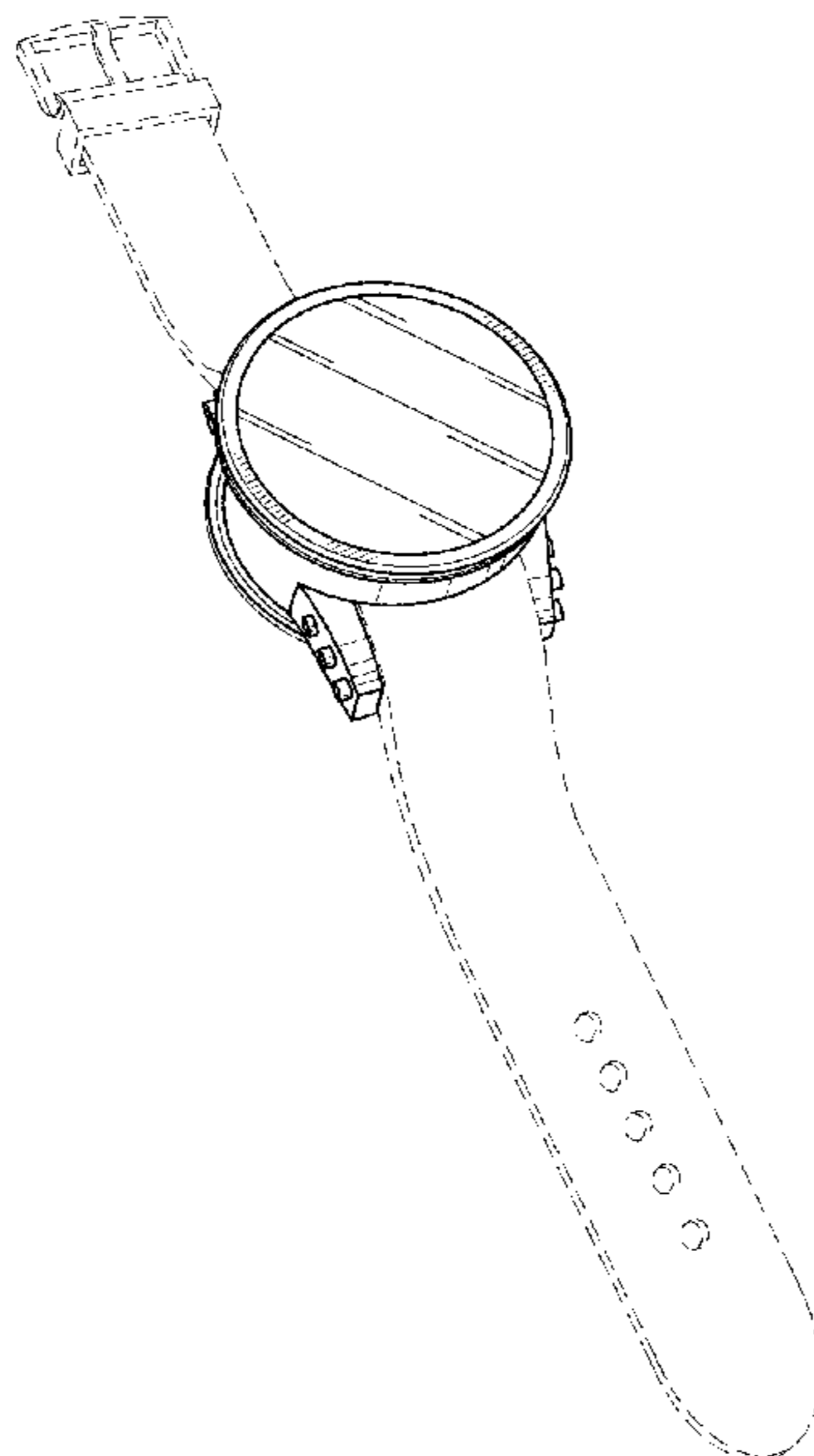
The ornamental design for a watch case, as shown and described.

DESCRIPTION

FIG. 1 is a front left bottom oblique view of a watch case showing my new design;
FIG. 2 is a front elevation view thereof;
FIG. 3 is rear elevation view thereof;
FIG. 4 is a right-side elevation view thereof;
FIG. 5 is left-side elevation view thereof;
FIG. 6 is a top plan view thereof; and,
FIG. 7 is a bottom plan view thereof.
The watch strap shown in broken lines forms no part of the claimed design.

1 Claim, 4 Drawing Sheets

(56) **References Cited**
U.S. PATENT DOCUMENTS
D432,434 S * 10/2000 Hysek D10/30
D433,949 S * 11/2000 Helleu D10/30
D445,697 S * 7/2001 Hysek D10/30
6,690,623 B1 * 2/2004 Maano G04C 17/02 368/223
D508,416 S * 8/2005 Tang D10/30
D542,156 S * 5/2007 Lafever D10/32
D543,122 S * 5/2007 Lafever D10/32
D544,372 S * 6/2007 Seyr D10/32
D547,677 S * 7/2007 Kume D10/38
D572,609 S 7/2008 Columba
D573,488 S * 7/2008 Sanz D10/39



(56)

References Cited

OTHER PUBLICATIONS

Mazzucato RIM Reversible Watch on Watch.com, captured Nov. 22, 2019.

IBSO Men's Creative Rotation Watch on Amazon.com, captured Nov. 22, 2019.

Wheel Watch on CarWatchShop.com, captured Nov. 22, 2019.

Thresher Shark Sport Watch on ThinkOutsideIn.com, captured Nov. 22, 2019.

Car Wheel Tire Rim Watch on LocomoLife.com, captured Nov. 22, 2019.

* cited by examiner

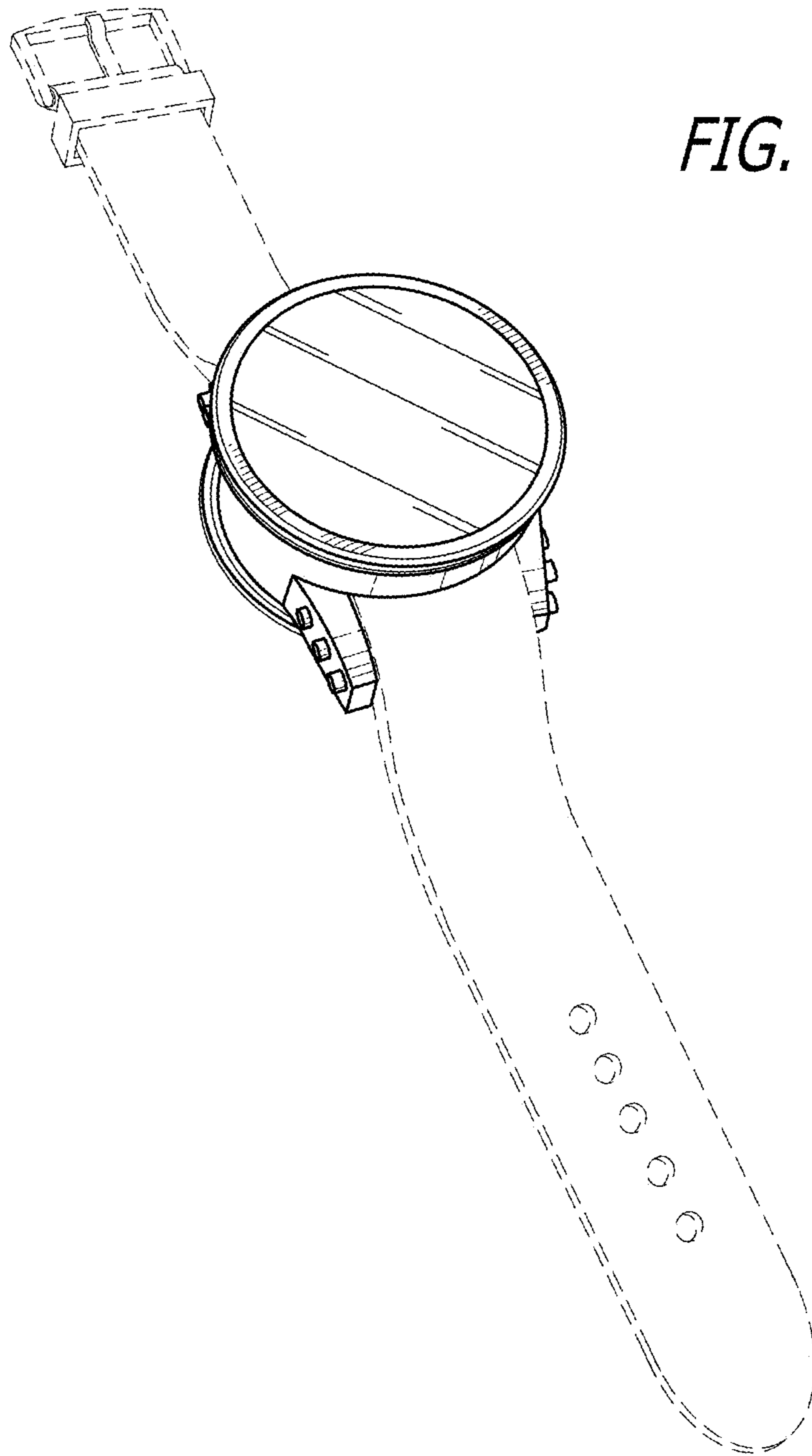


FIG. 1

FIG. 2

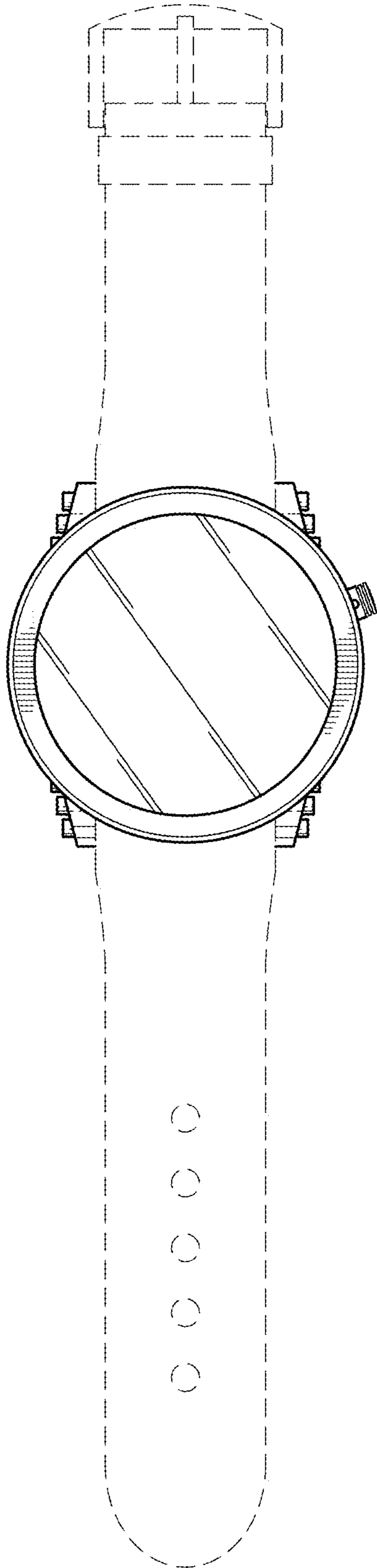


FIG. 3

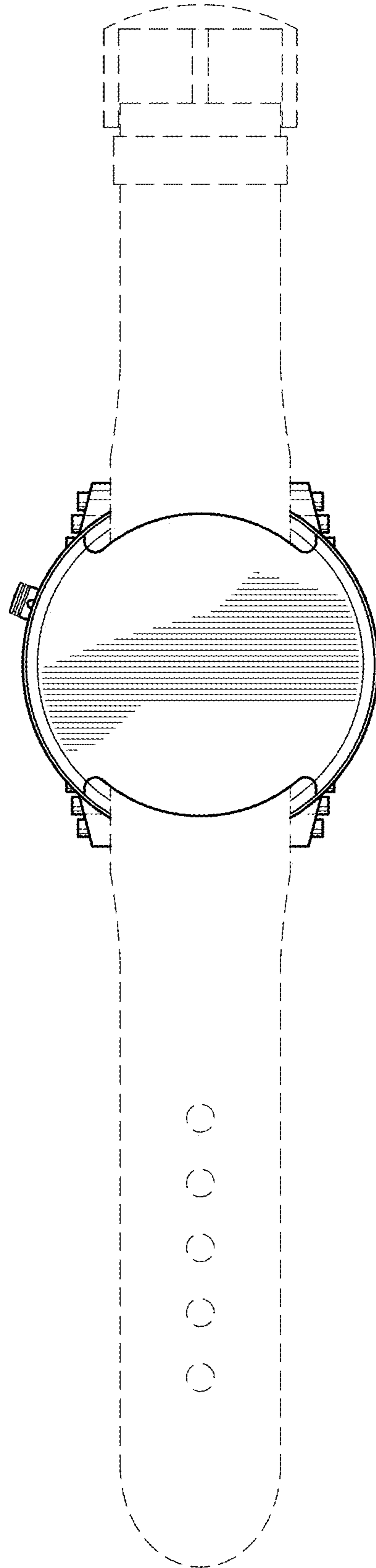


FIG. 4

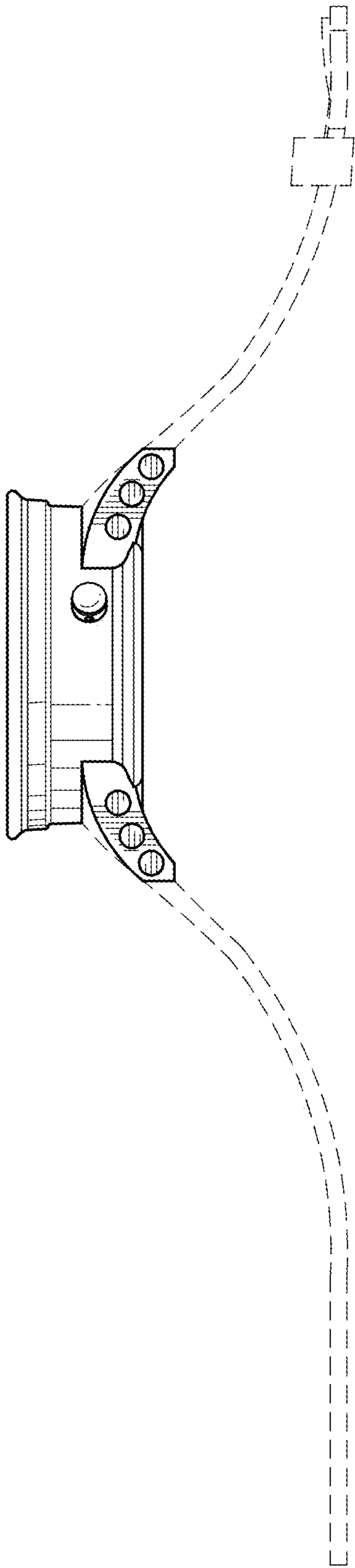


FIG. 5

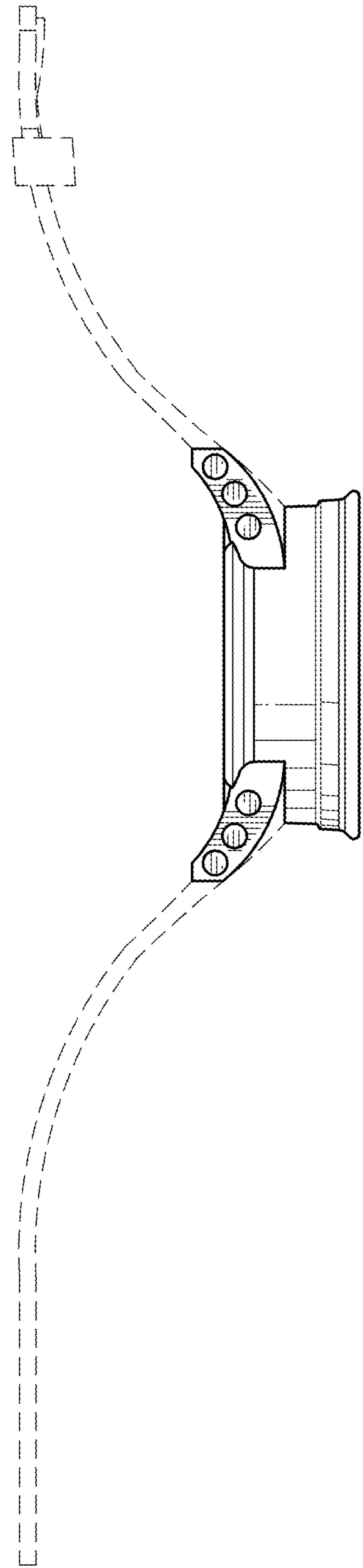


FIG. 6

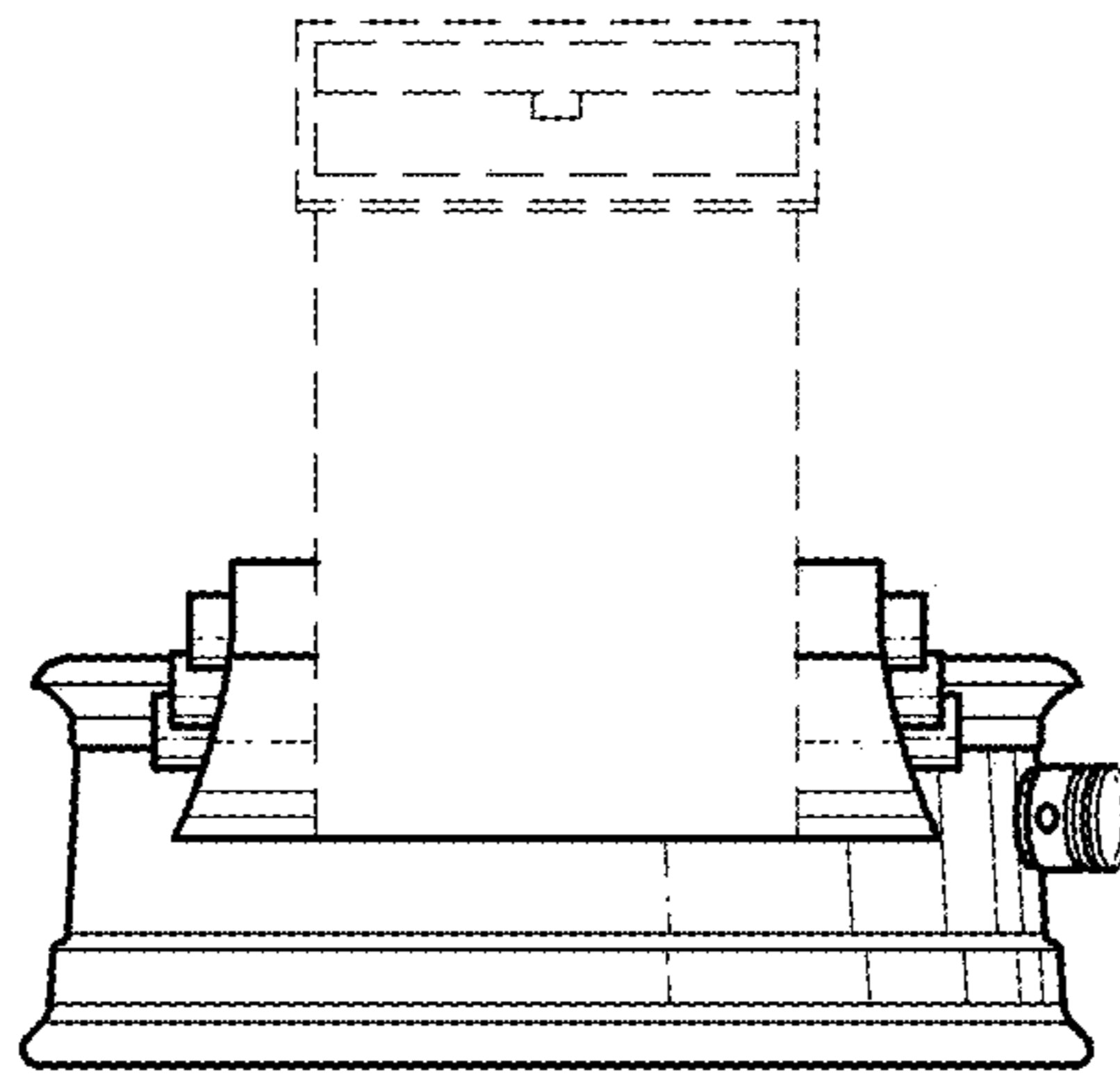


FIG. 7

