



US00D927325S

(12) **United States Design Patent**
Droze

(10) **Patent No.:** **US D927,325 S**

(45) **Date of Patent:** **** Aug. 10, 2021**

(54) **WATCH**

(71) Applicant: **WITHINGS**, Issy-les-Moulineaux (FR)

(72) Inventor: **Thomas Droze**, Paris (FR)

(**) Term: **15 Years**

(21) Appl. No.: **35/509,798**

(22) Filed: **Jan. 16, 2020**

(80) **Hague Agreement Data**

Int. Filing Date: **Jan. 16, 2020**

Int. Reg. No.: **DM/207815**

Int. Reg. Date: **Jan. 16, 2020**

Int. Reg. Pub. Date: **Jul. 17, 2020**

(51) **LOC (13) Cl.** **10-02**

(52) **U.S. Cl.**
USPC **D10/32**

(58) **Field of Classification Search**
USPC D10/32, 39; D14/344; D11/3
See application file for complete search history.

(56) **References Cited**

U.S. PATENT DOCUMENTS

D522,885 S * 6/2006 Le D10/32
D622,164 S * 8/2010 Mikkelsen D10/32

D718,152 S * 11/2014 Gueit D10/32
D743,282 S * 11/2015 Park D10/70
D759,511 S * 6/2016 Belamich D10/39
D823,853 S * 7/2018 Yoshimoto D14/344
D874,298 S * 2/2020 Xie D10/32
D875,555 S * 2/2020 Komulainen D10/32
D919,468 S * 5/2021 Chao D11/3
D920,830 S * 6/2021 Chao D11/3

* cited by examiner

Primary Examiner — George D. Kirschbaum

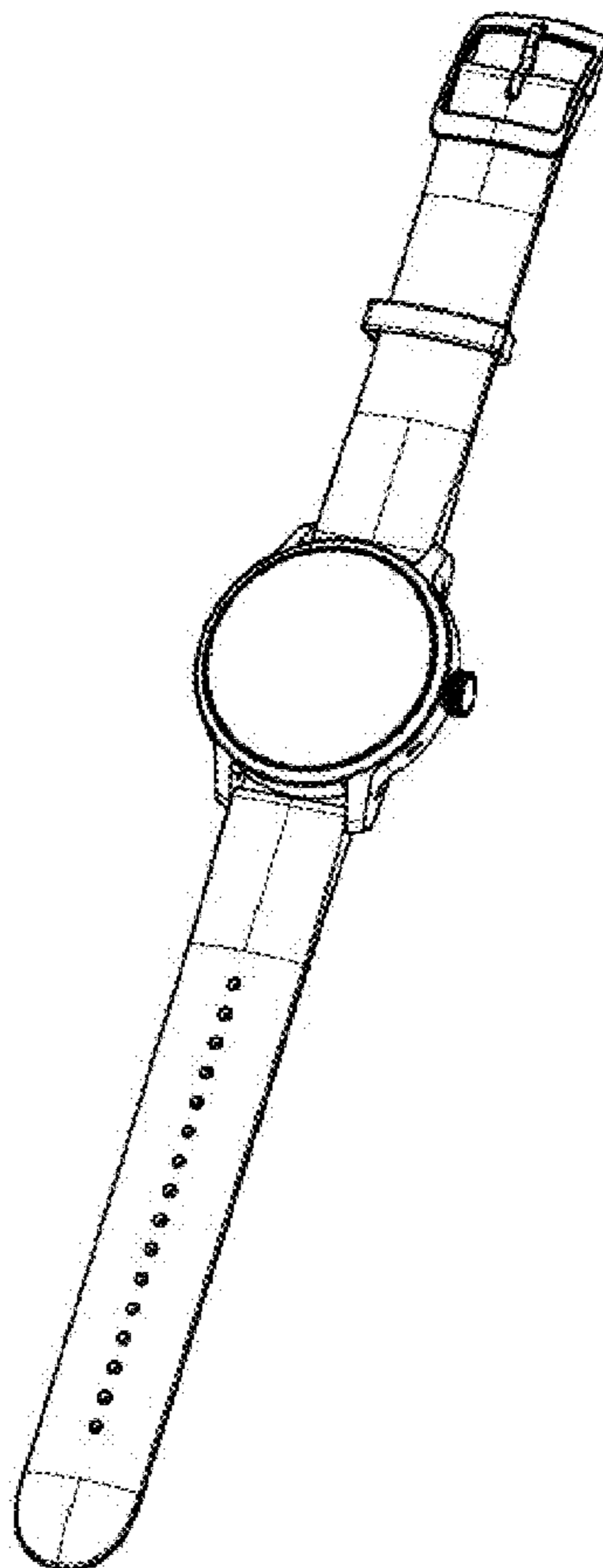
(57) **CLAIM**

The ornamental design for a watch, as shown.

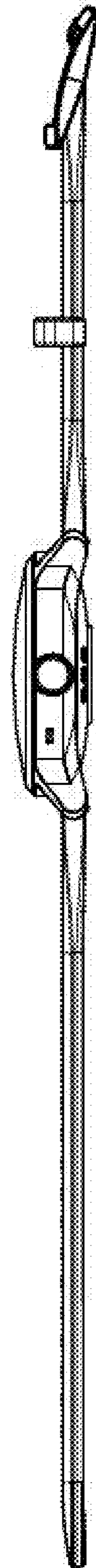
DESCRIPTION

- 1. Watch
- 1.1 is a right side view.
- 1.2 is a top view.
- 1.3 is a left side view.
- 1.4 is a bottom view.
- 1.5 is a top perspective view.
- 1.6 is a back view.
- 1.7 is a front view.

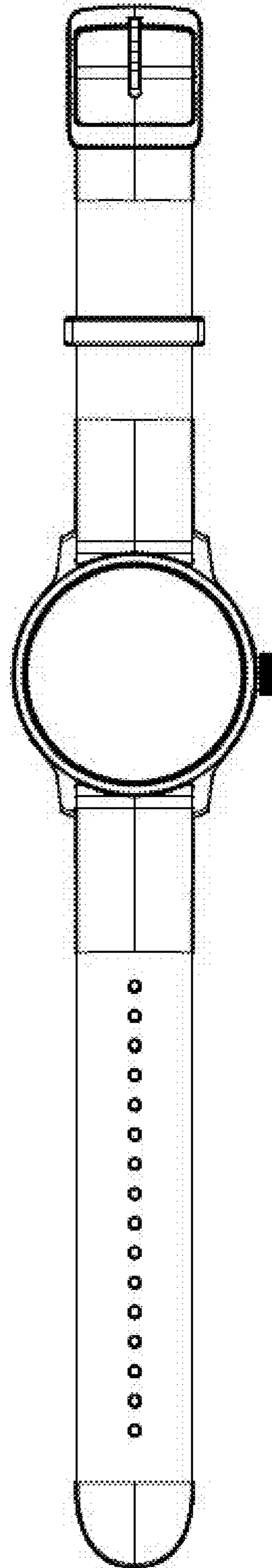
1 Claim, 7 Drawing Sheets



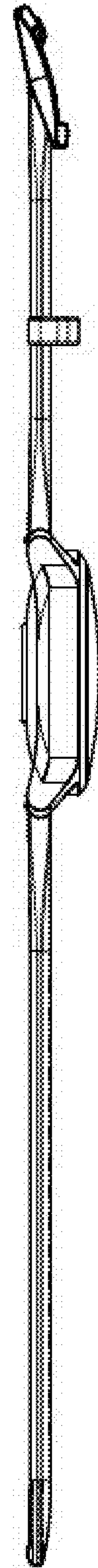
1.1



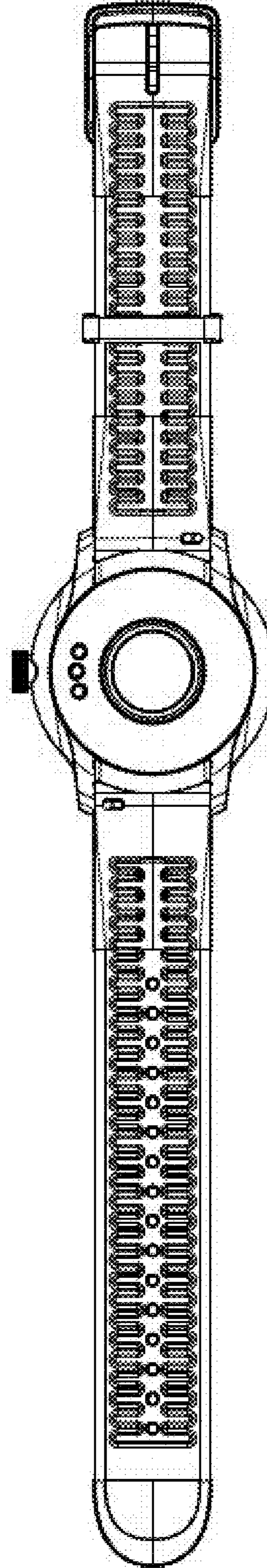
1.2



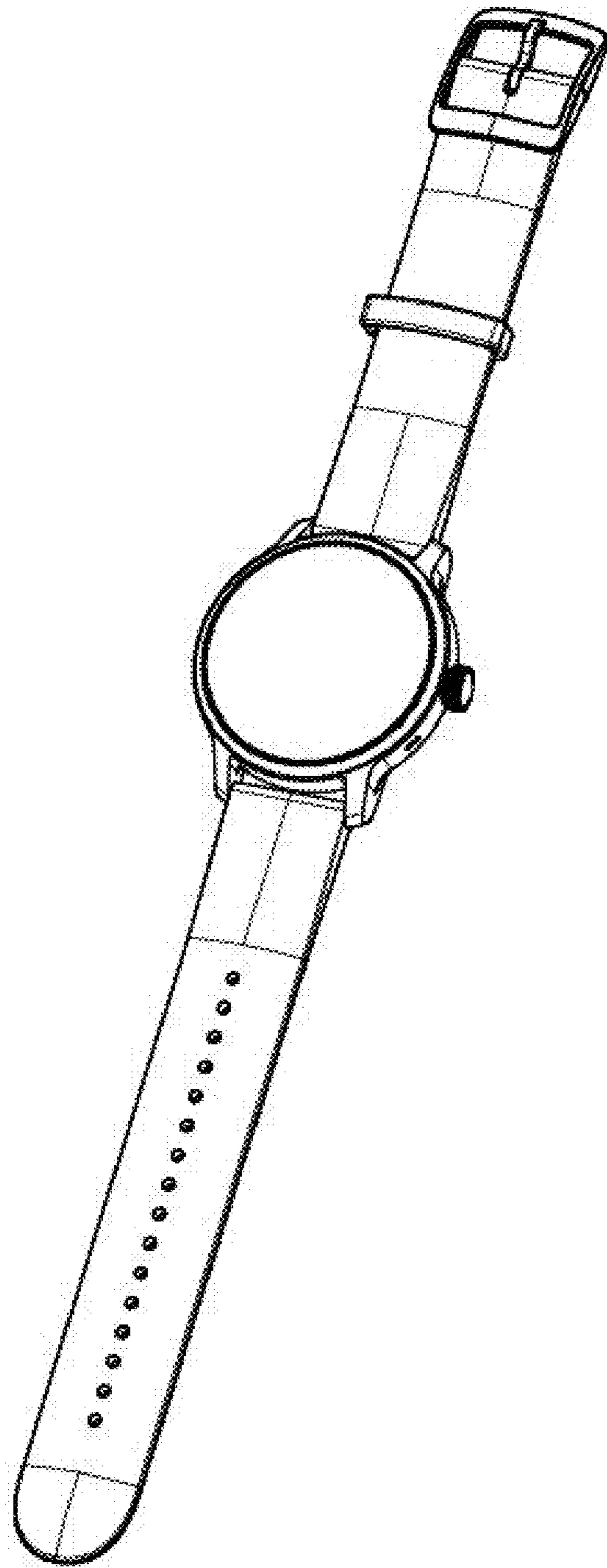
1.3



1.4



1.5



1.6



1.7

