



US00D927324S

(12) **United States Design Patent**
Scheufele

(10) **Patent No.:** **US D927,324 S**

(45) **Date of Patent:** **** Aug. 10, 2021**

(54) **WRISTWATCH**

D769,135 S *	10/2016	Chen	D10/39
D795,088 S *	8/2017	Monachon	D10/30
D902,744 S *	11/2020	Cazzola	D10/32
D920,136 S *	5/2021	Candamil	D10/39

(71) Applicant: **Chopard International SA**, Prangins
(CH)

(72) Inventor: **Karl-Friedrich Scheufele**, Prangins
(CH)

(**) Term: **15 Years**

(21) Appl. No.: **35/509,692**

(22) Filed: **Dec. 23, 2019**

(80) **Hague Agreement Data**

Int. Filing Date: **Dec. 23, 2019**
 Int. Reg. No.: **DM/205987**
 Int. Reg. Date: **Dec. 23, 2019**
 Int. Reg. Pub. Date: **Jun. 26, 2020**

(51) **LOC (13) Cl.** **10-02**

(52) **U.S. Cl.**
USPC **D10/32**

(58) **Field of Classification Search**
USPC D10/32, 38, 39
See application file for complete search history.

(56) **References Cited**

U.S. PATENT DOCUMENTS

D573,041 S *	7/2008	Lulic	D10/39
D703,552 S *	4/2014	Monachon	D10/32

FOREIGN PATENT DOCUMENTS

WO	DM/027157	4/1993
WO	DM/030840	7/1994
WO	DM/031437	9/1994

* cited by examiner

Primary Examiner — George D. Kirschbaum

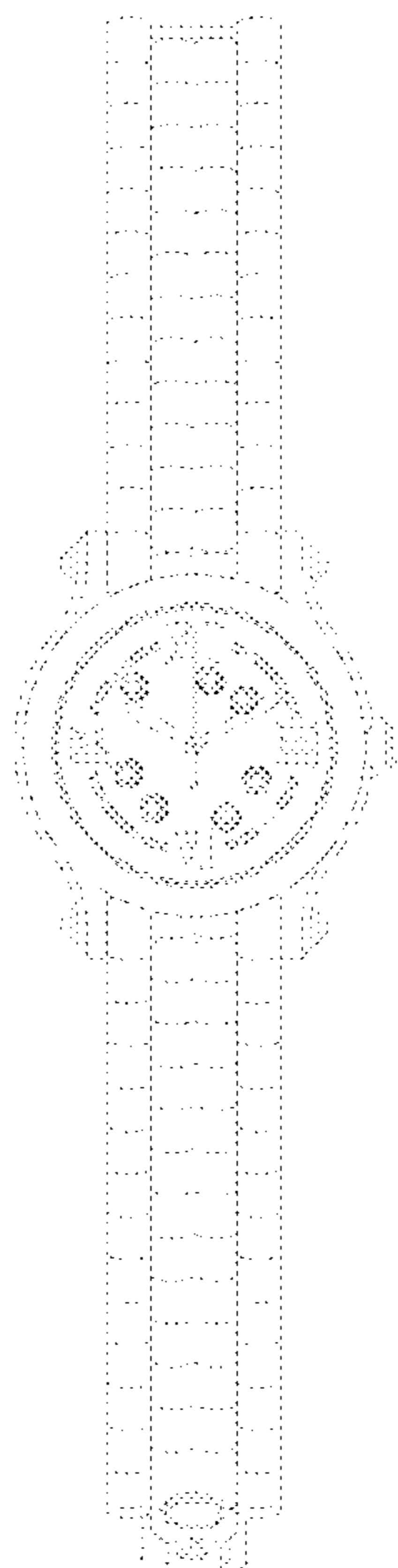
(57) **CLAIM**

The ornamental design for wristwatch, as shown and described.

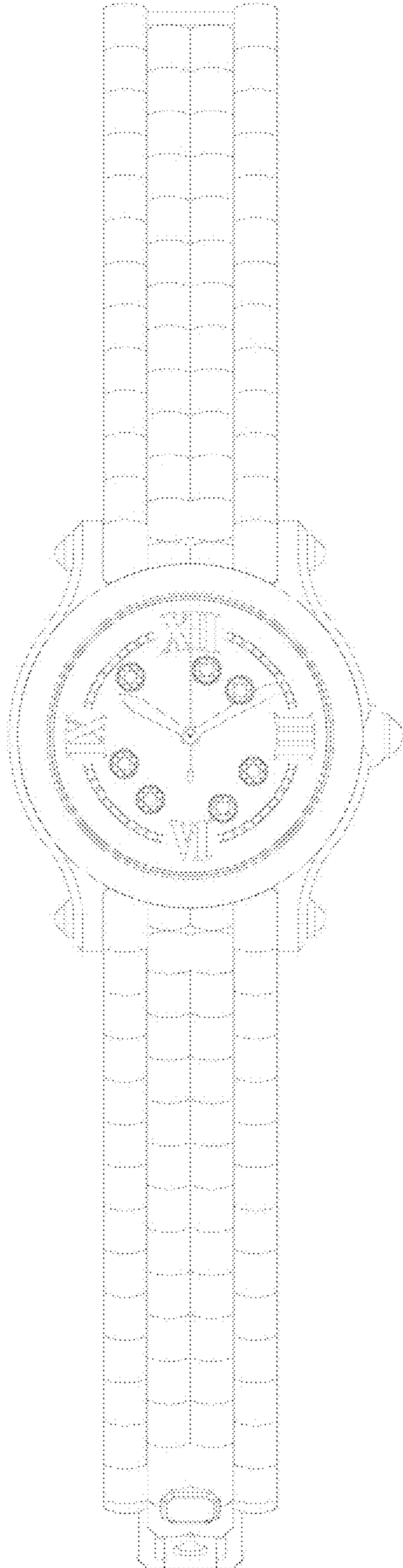
DESCRIPTION

- 1. Wristwatch
- 1.1 : Front
- 1.2 : Back
- 1.3 : Right
- 1.4 : Left
- 1.5 : Top
- 1.6 : Bottom
- 1.7 : Perspective

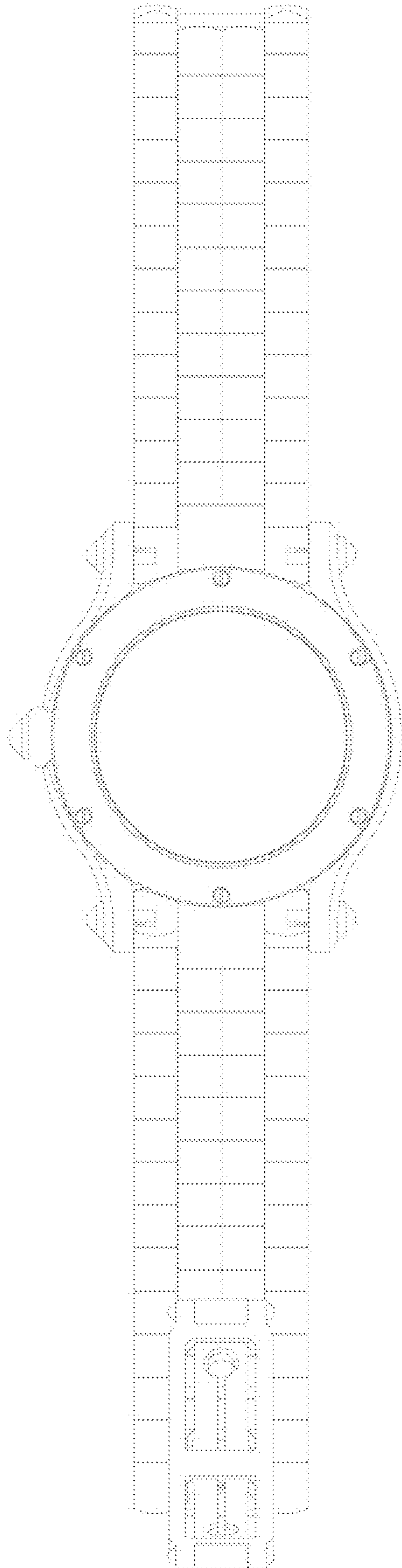
1 Claim, 7 Drawing Sheets



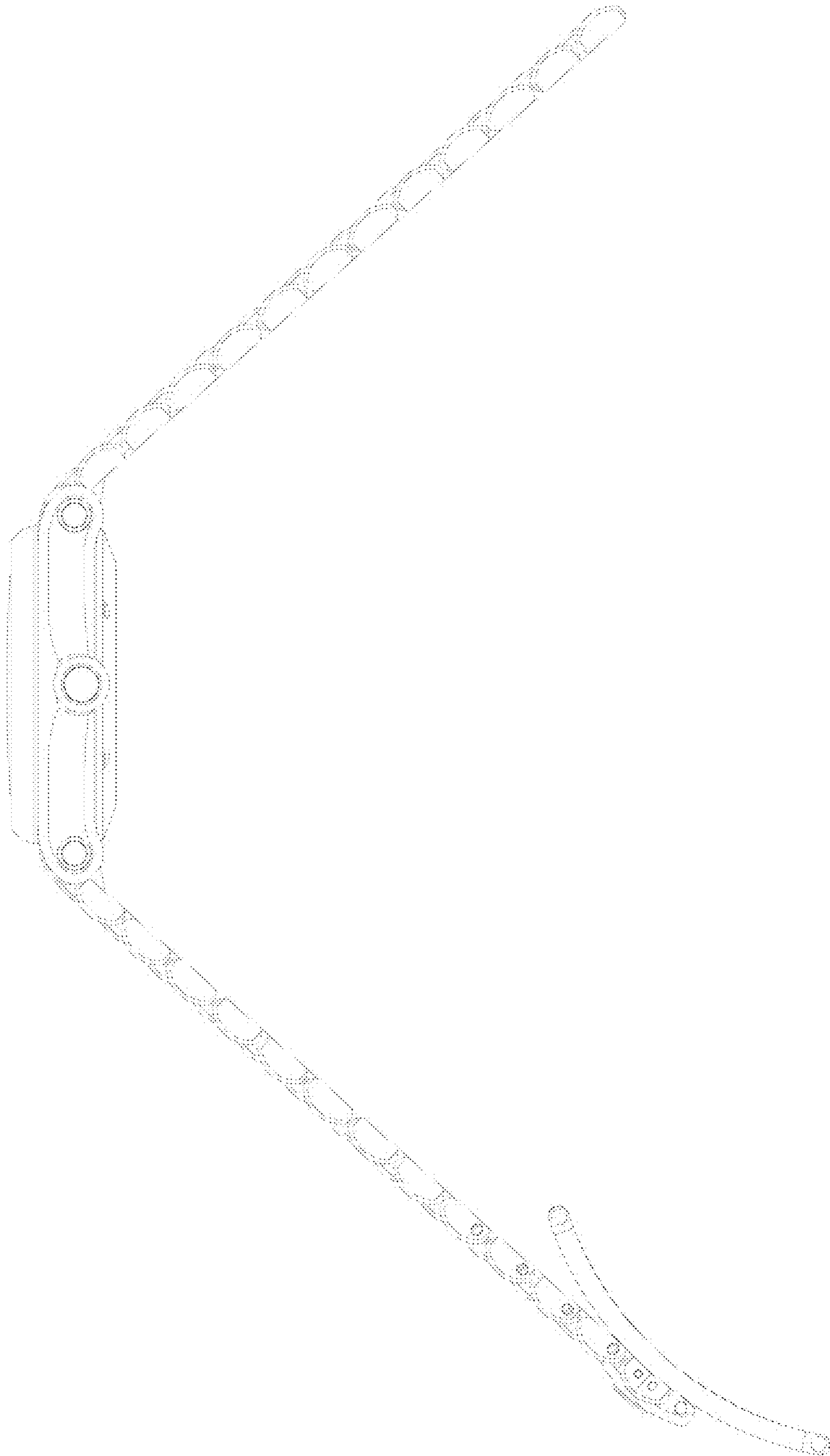
1.1



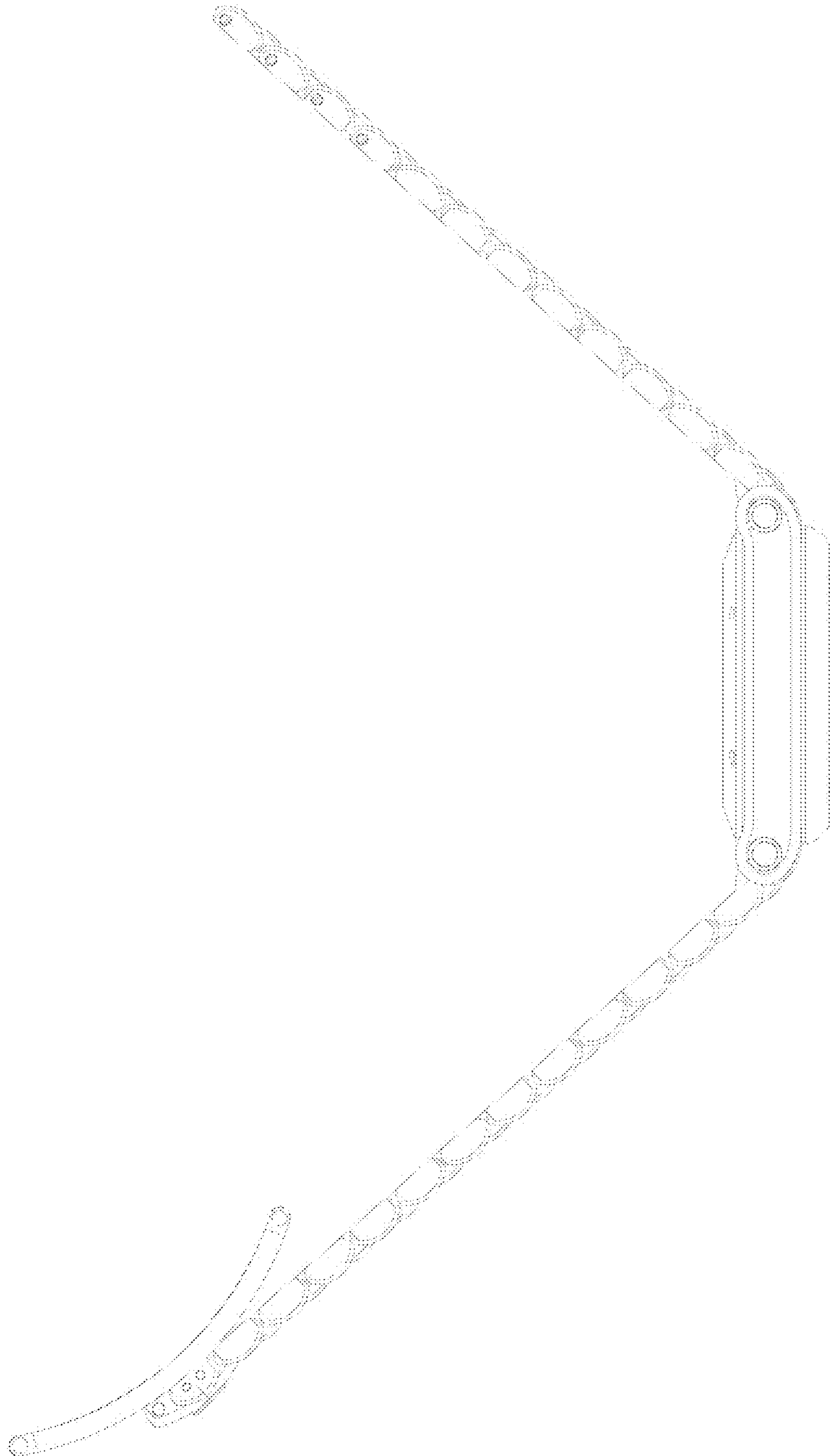
1.2



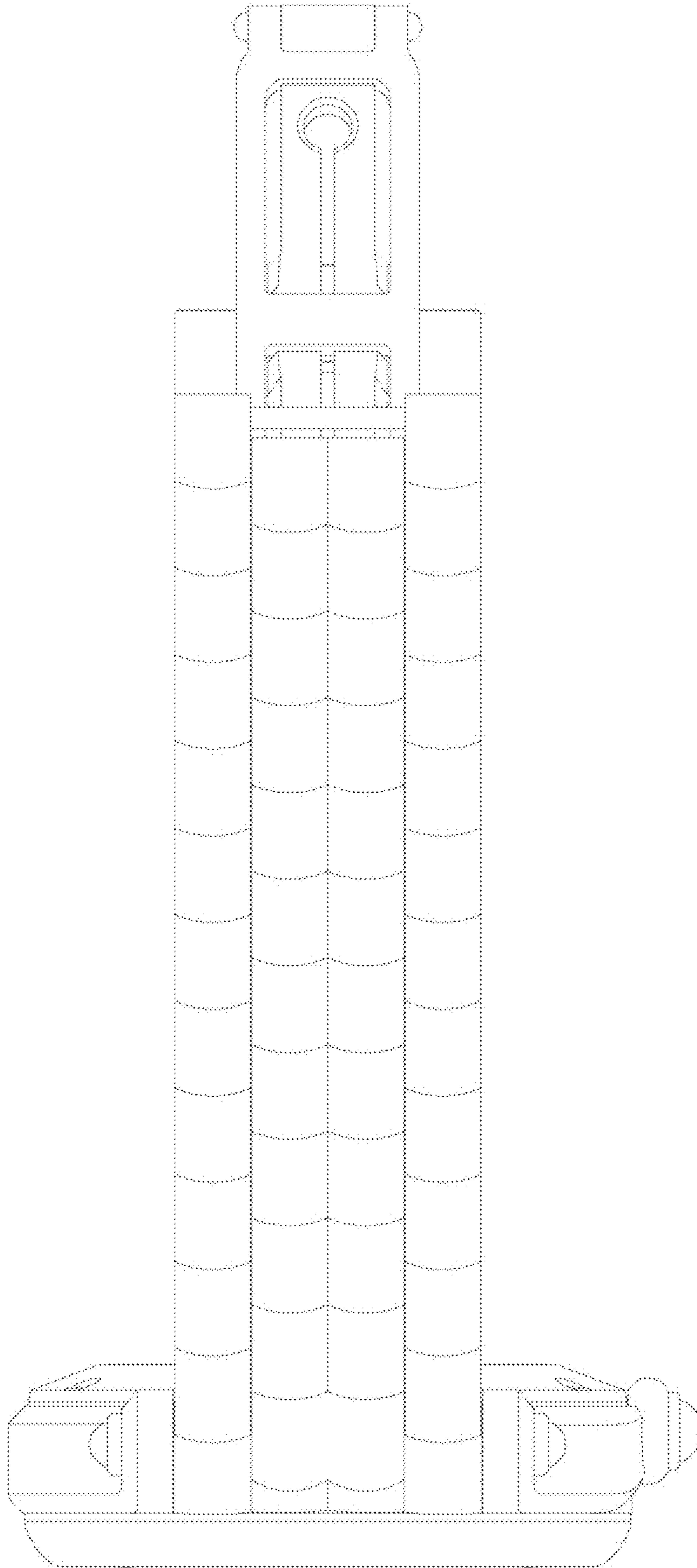
1.3



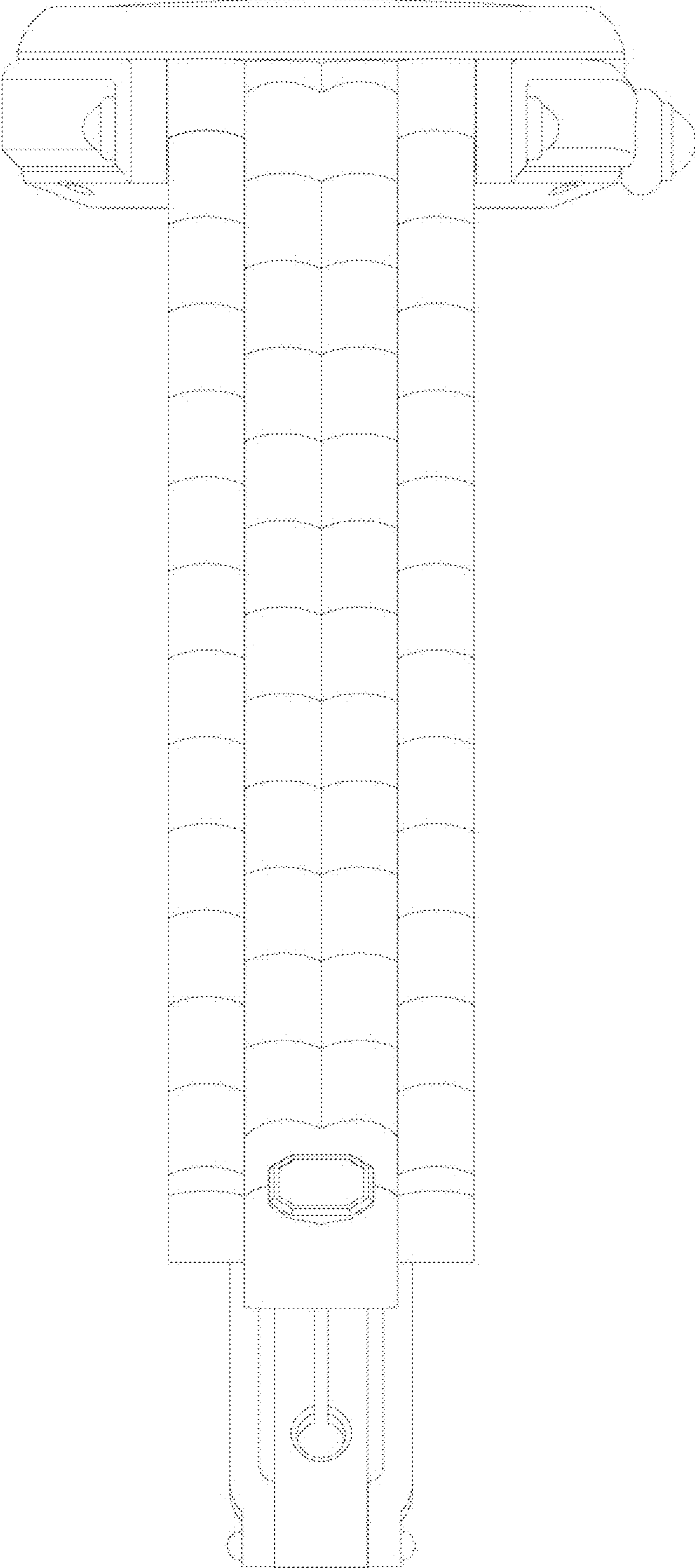
1.4



1.5



1.6



1.7

