



US00D927322S

(12) **United States Design Patent** (10) **Patent No.:** **US D927,322 S**
Zou (45) **Date of Patent:** **** Aug. 10, 2021**

(54) **ALARM CLOCK**

(71) Applicant: **Shenzhen Liande Electric Appliances Co., Ltd., Shenzhen (CN)**

(72) Inventor: **Yangmei Zou, Zunyi (CN)**

(**) Term: **15 Years**

(21) Appl. No.: **29/703,365**

(22) Filed: **Aug. 27, 2019**

(51) **LOC (13) Cl.** **10-01**

(52) **U.S. Cl.**

USPC **D10/15**

(58) **Field of Classification Search**

USPC ... D10/40, 41, 49, 50, 52, 96, 97, 103, 1, 2, D10/5, 15, 20, 21, 22, 23, 24; D14/171, D14/170

CPC G04B 19/00; G04B 19/24; G04B 19/243; G04B 23/00; G04B 23/005; G04B 23/02; G04B 23/025; G04B 23/03; G04B 23/04; G04G 9/00; G04G 9/0005; G04G 9/0029; G04G 9/0041; G04G 9/0047; G04G 9/02; G04G 9/04

See application file for complete search history.

(56) **References Cited**

U.S. PATENT DOCUMENTS

D378,495 S * 3/1997 Gillespie D10/1
D409,500 S * 5/1999 Hargrove, III D10/15
D412,285 S * 7/1999 Alesi D10/15
5,926,442 A * 7/1999 Sirhan G04B 47/048
368/73
D535,572 S * 1/2007 Takach D10/49
D535,896 S * 1/2007 Simon D10/40
RE40,190 E * 4/2008 Takach D10/50
D595,160 S * 6/2009 Fisher D10/50
D614,975 S * 5/2010 Fisher D10/50
D647,411 S * 10/2011 Barton D10/40

D658,152 S * 4/2012 Lee D14/171
D836,005 S * 12/2018 Lu D10/2
2016/0363912 A1* 12/2016 Ashkenazi G04G 9/08

FOREIGN PATENT DOCUMENTS

CN 200930194077 * 7/2009
CN 201030705071 * 12/2010
CN 201330479537 * 10/2013
CN 201730602440 * 11/2017
CN 201830477201.X * 8/2018

OTHER PUBLICATIONS

Amazon, PPLEE Digital Alarm Clock, posted Nov. 21, 2018, [online], [visited Mar. 19, 2021]. Internet, <URL: <https://www.amazon.com/Digital-Display-Charging-Elderly-Bedroom/dp/B07KRZVCYK?th=1>> (Year: 2018).*

* cited by examiner

Primary Examiner — Sheryl Lane
Assistant Examiner — Samantha N Wood

(57) **CLAIM**

The ornamental design for an alarm clock, as shown and described.

DESCRIPTION

FIG. 1 is a first perspective view of an alarm clock showing my design;

FIG. 2 is a second perspective view thereof;

FIG. 3 is a front view thereof;

FIG. 4 is a back view thereof;

FIG. 5 is a left side view thereof;

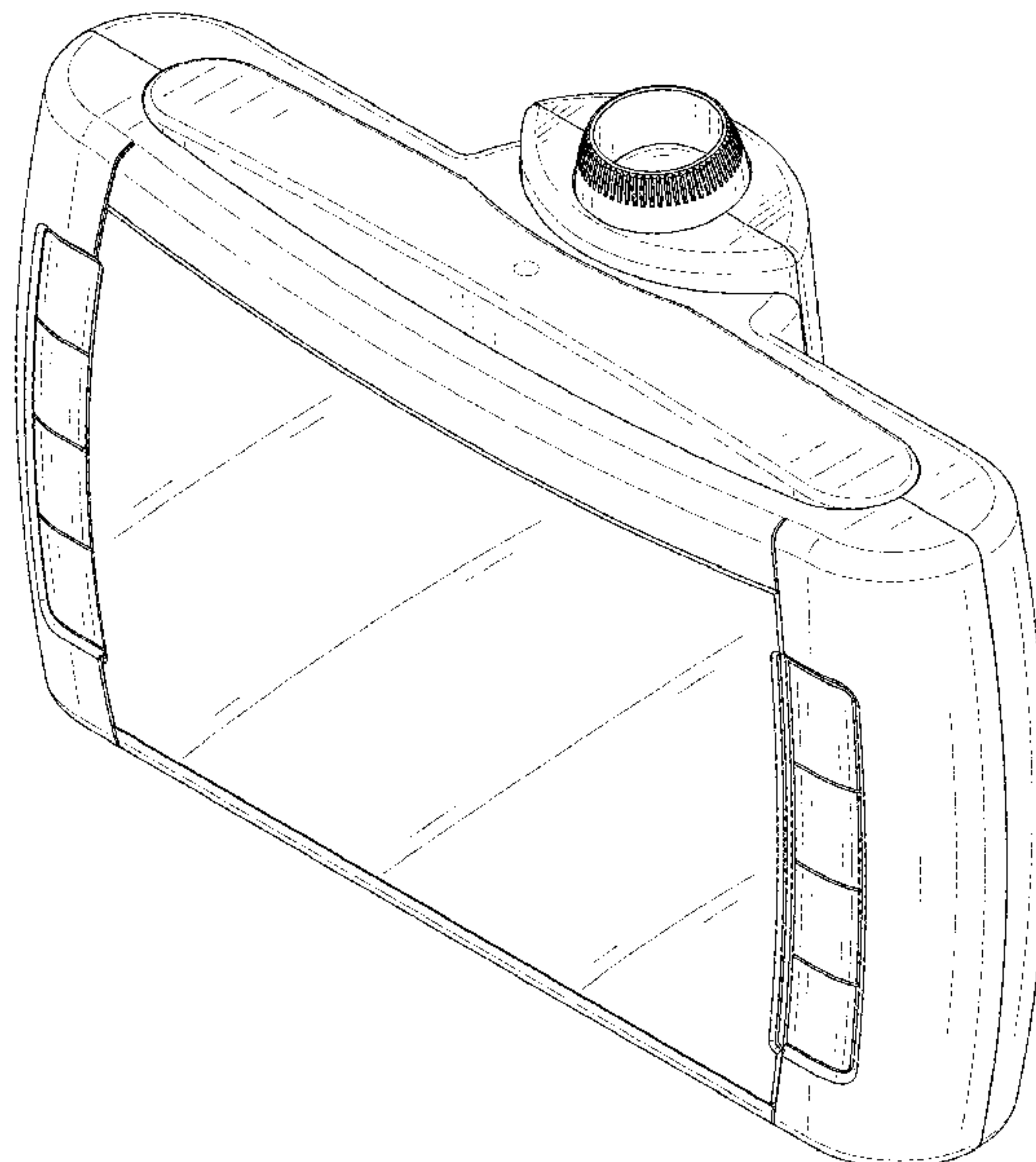
FIG. 6 is a right side view thereof;

FIG. 7 is a top view thereof; and,

FIG. 8 is a bottom view thereof.

The broken lines are included for the purpose of illustrating portions of the alarm clock and form no part of the claimed design.

1 Claim, 8 Drawing Sheets



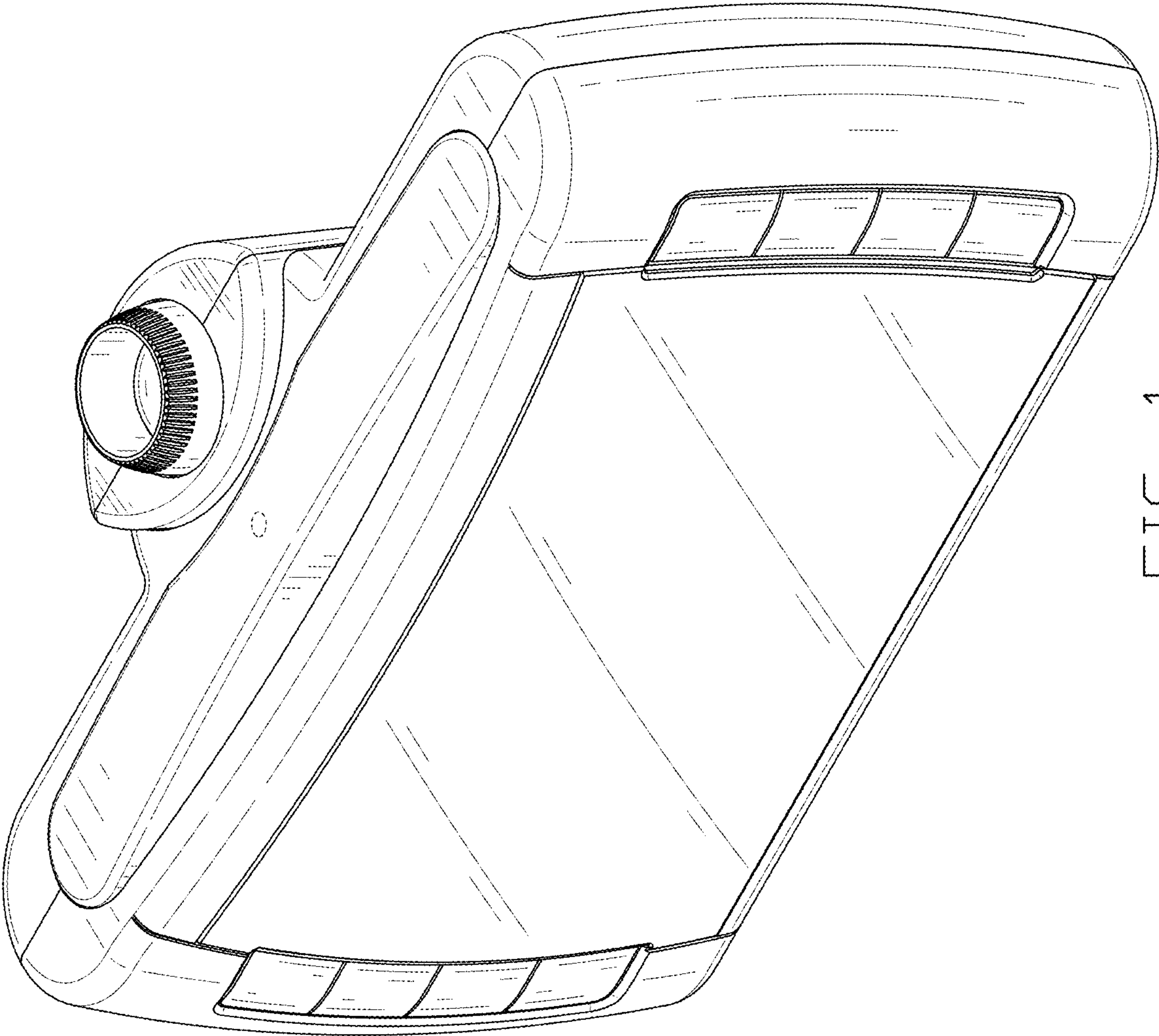


FIG. 1

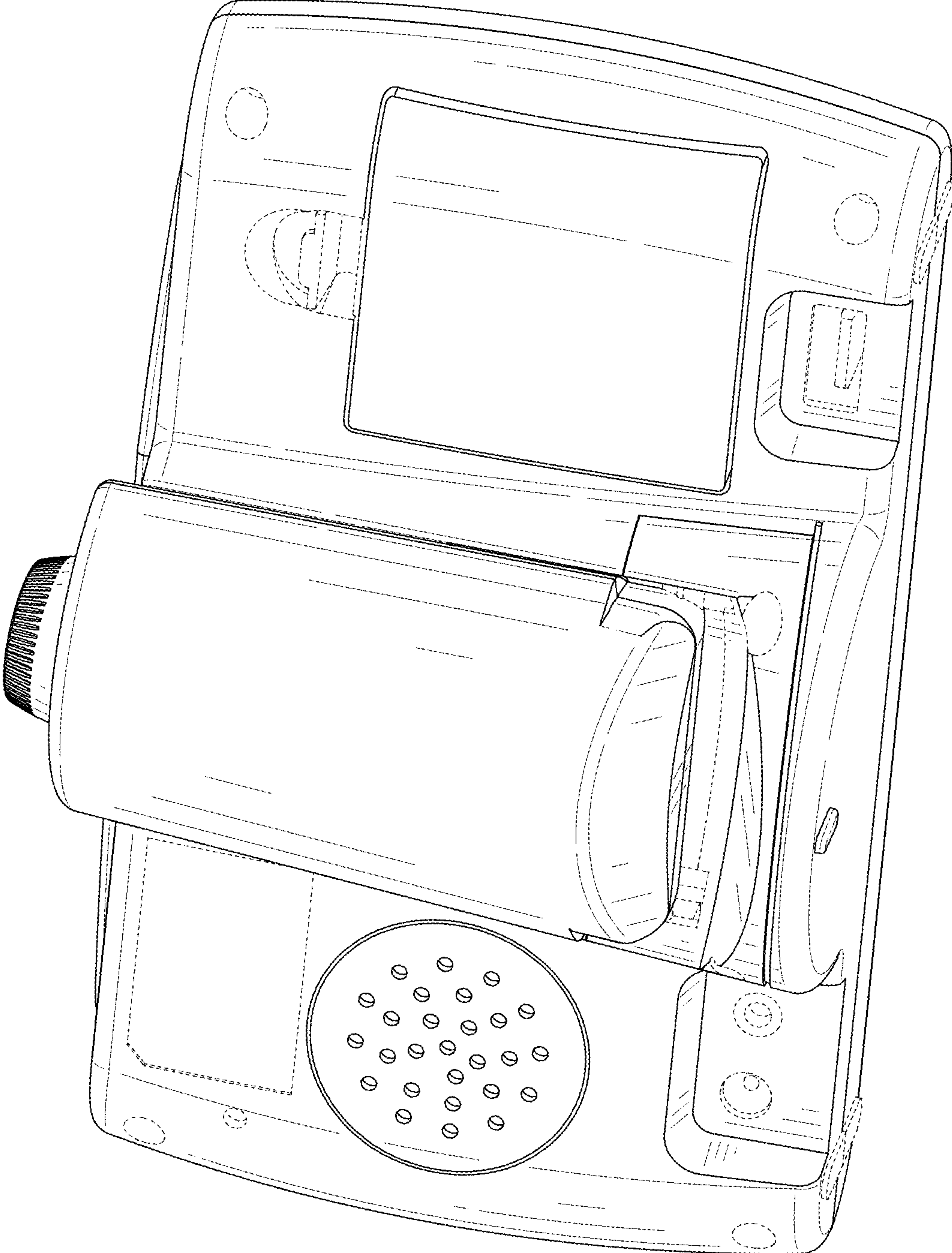


FIG. 2

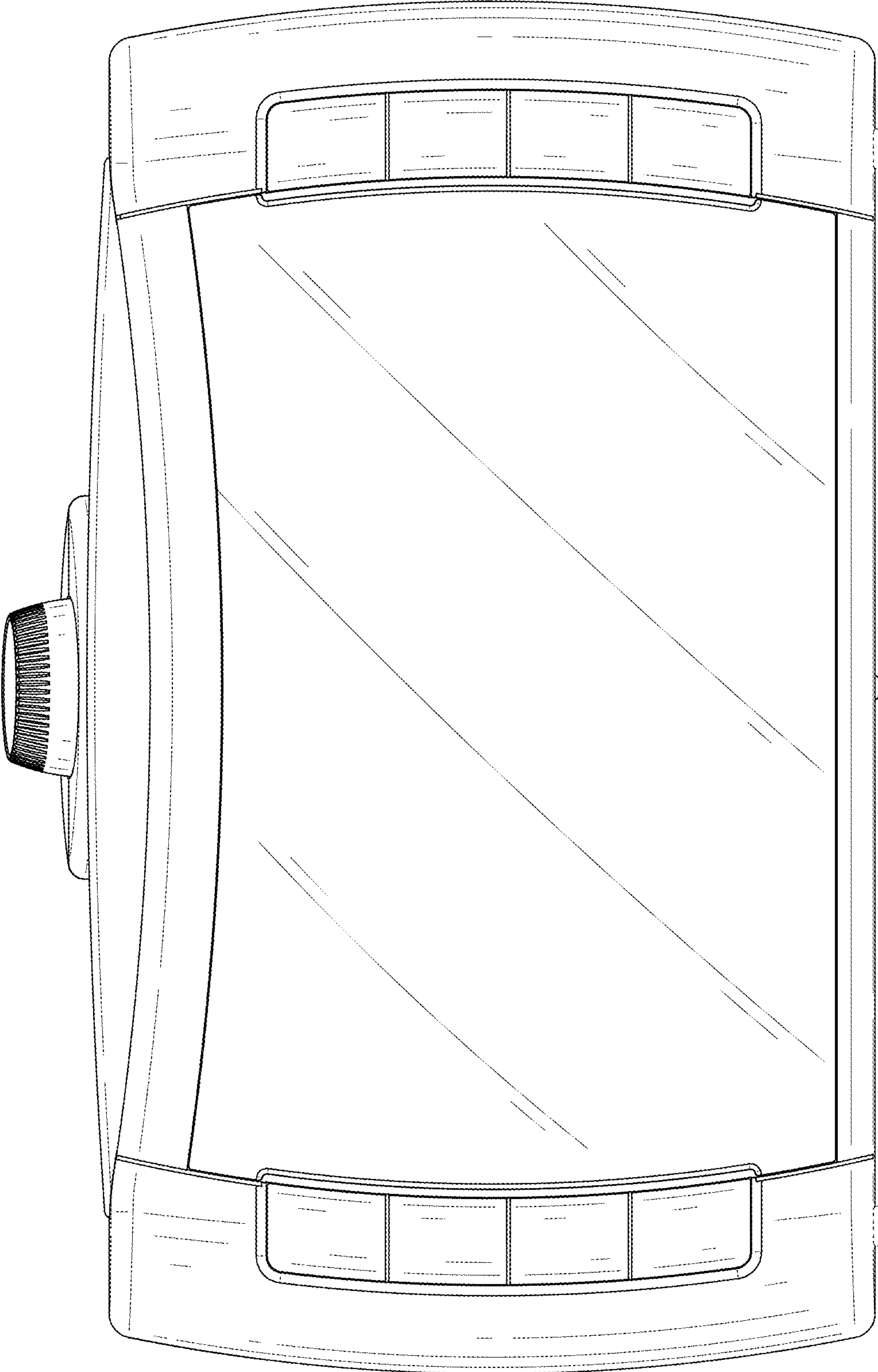


FIG. 3

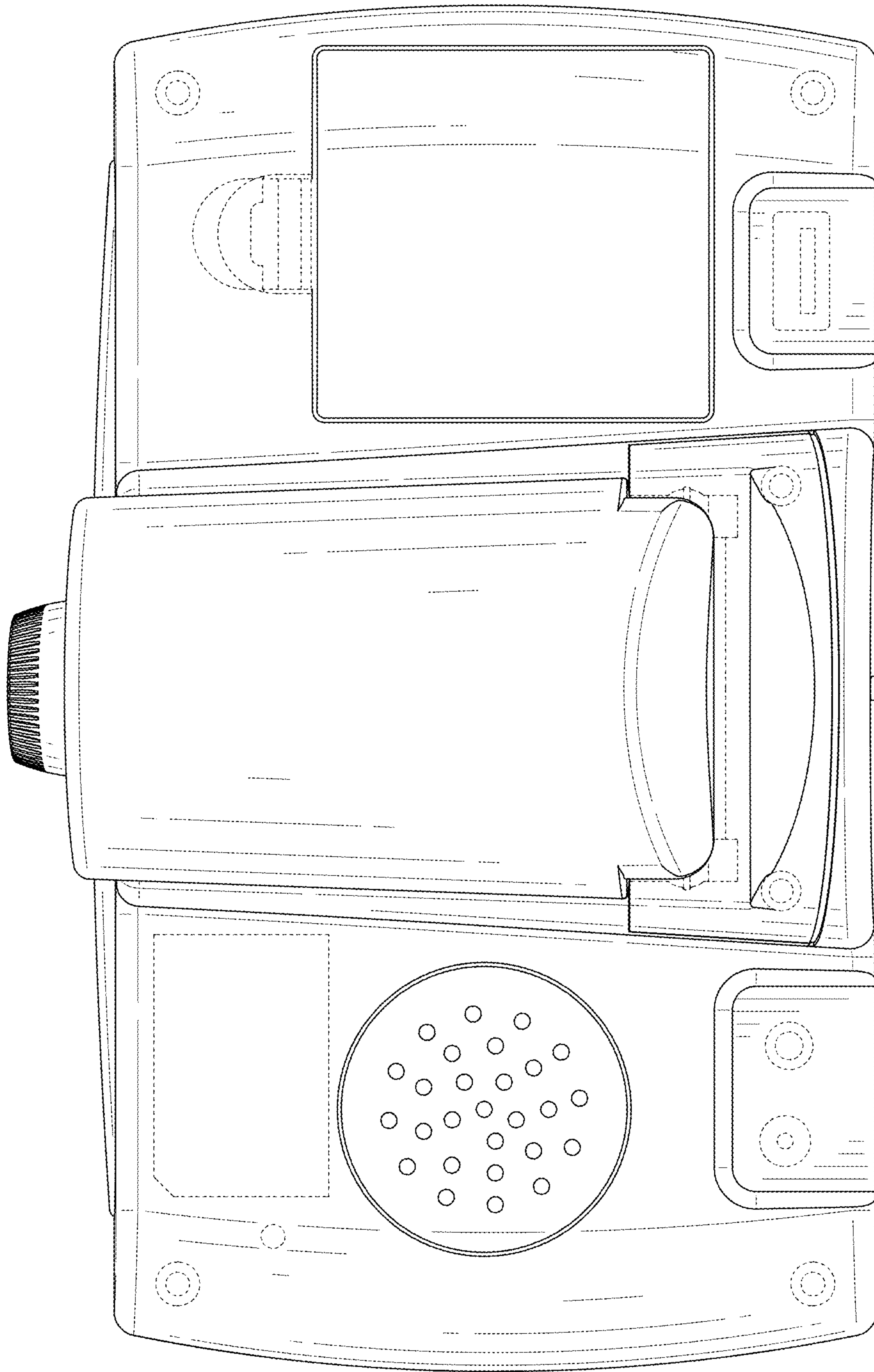


FIG. 4

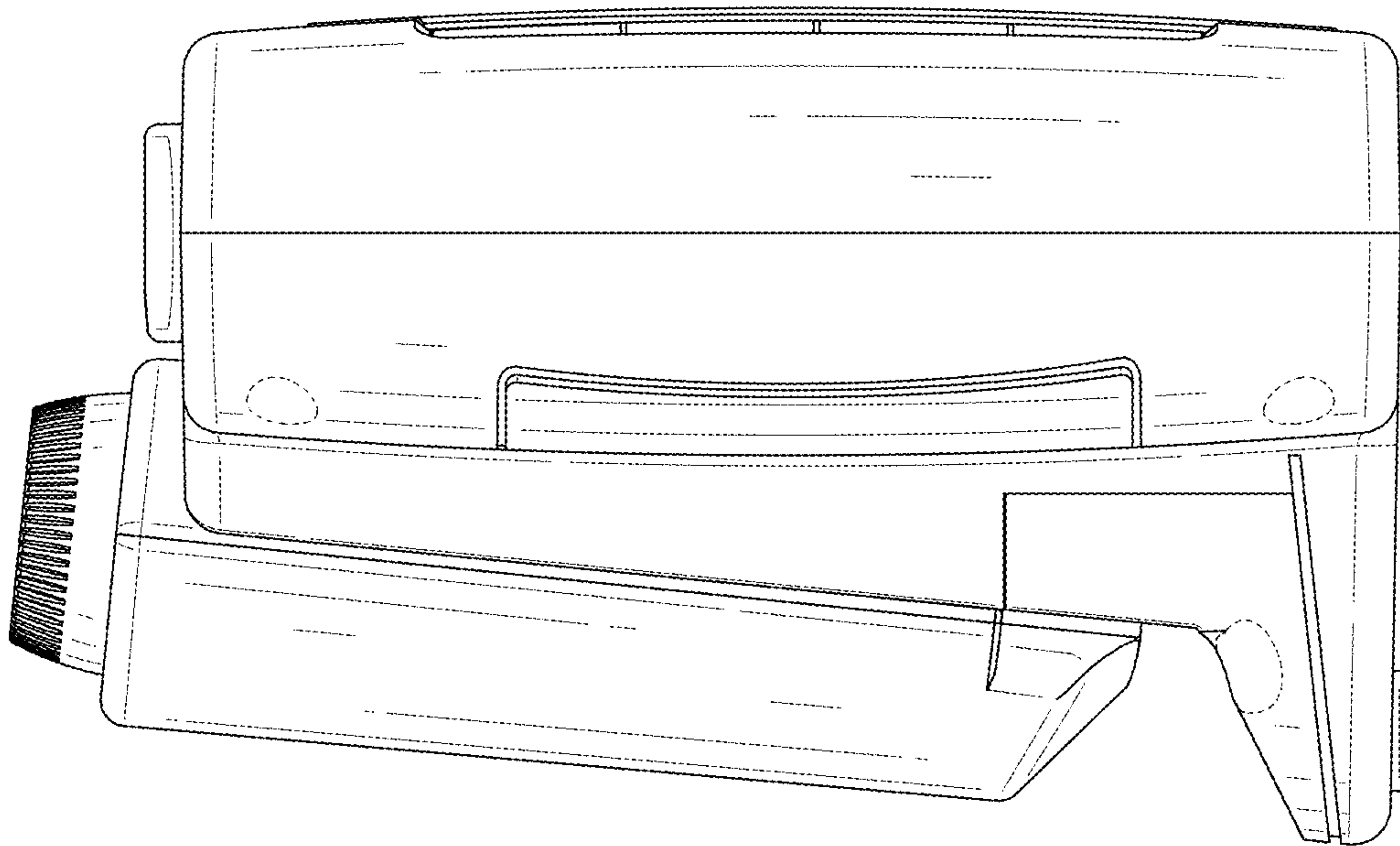


FIG. 5

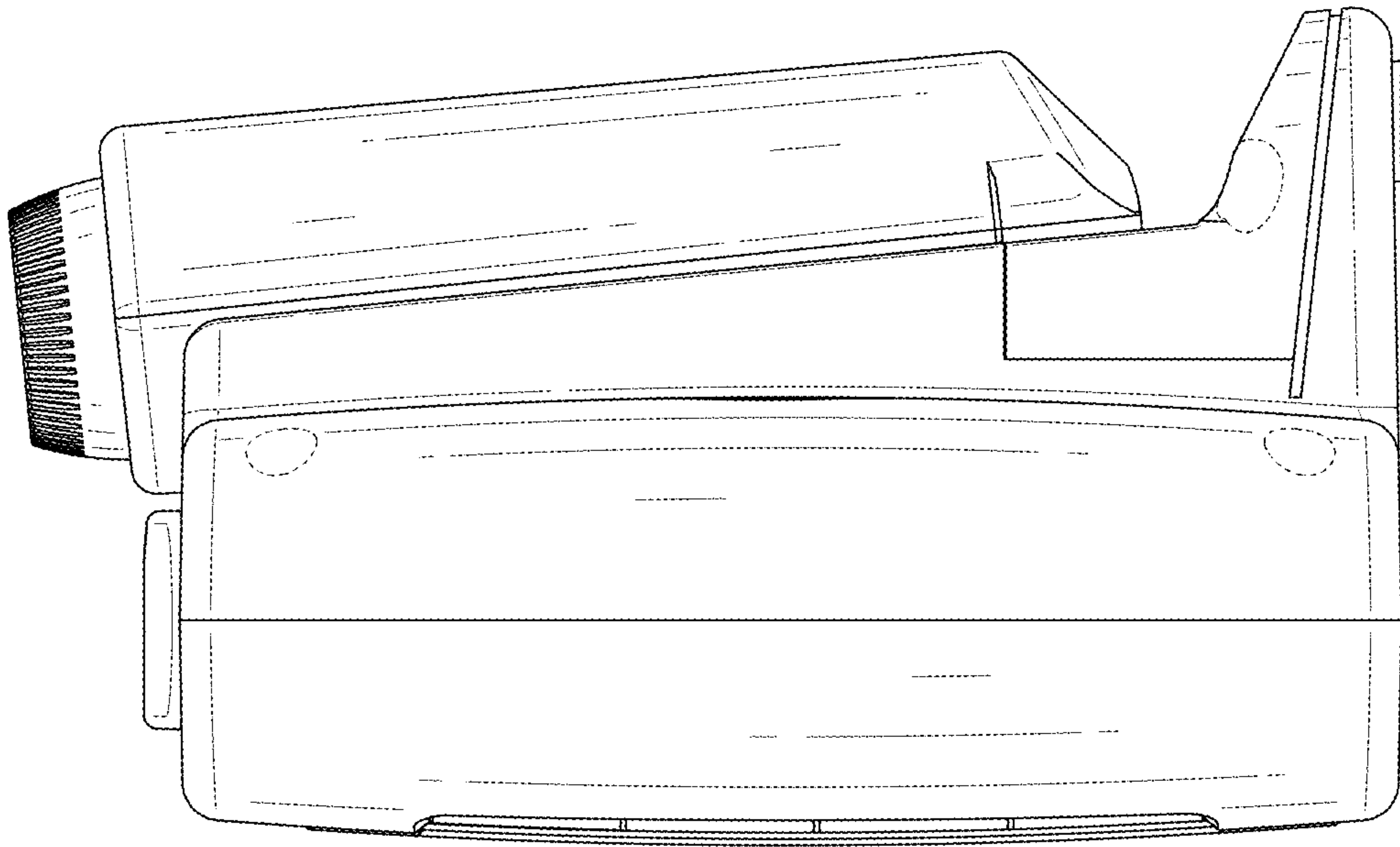


FIG. 6

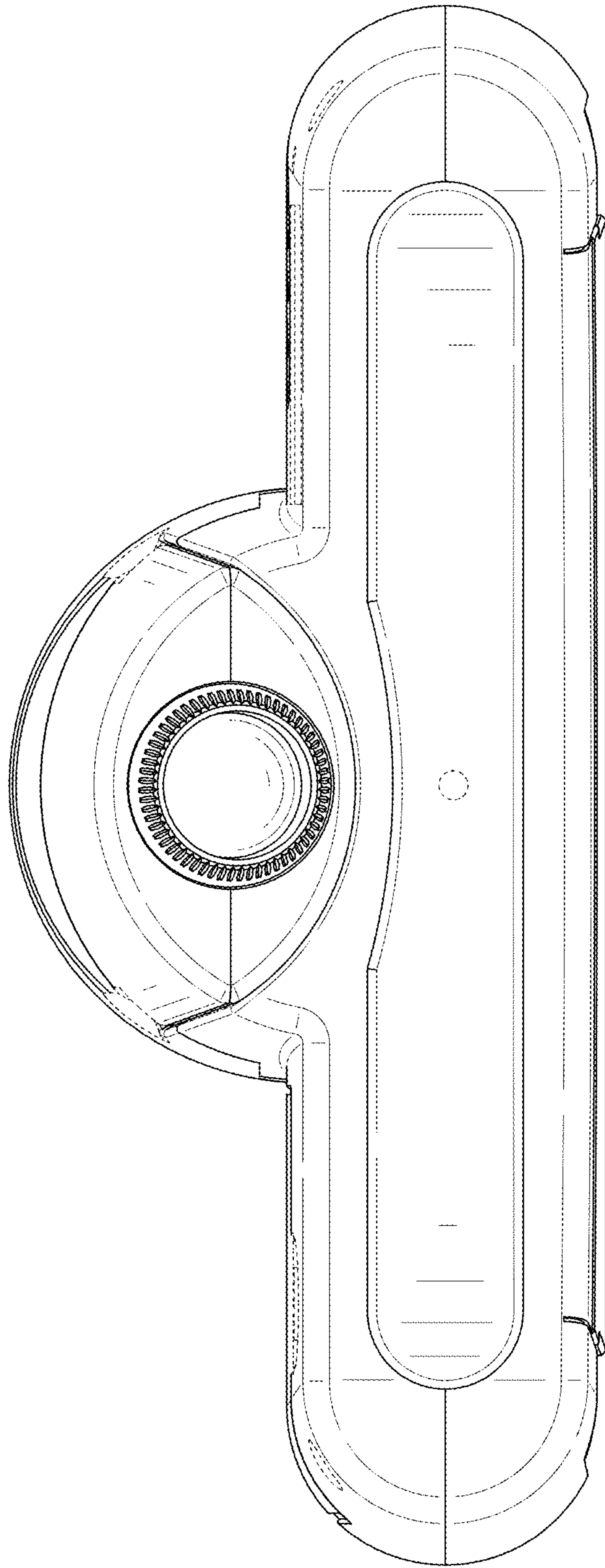


FIG. 7

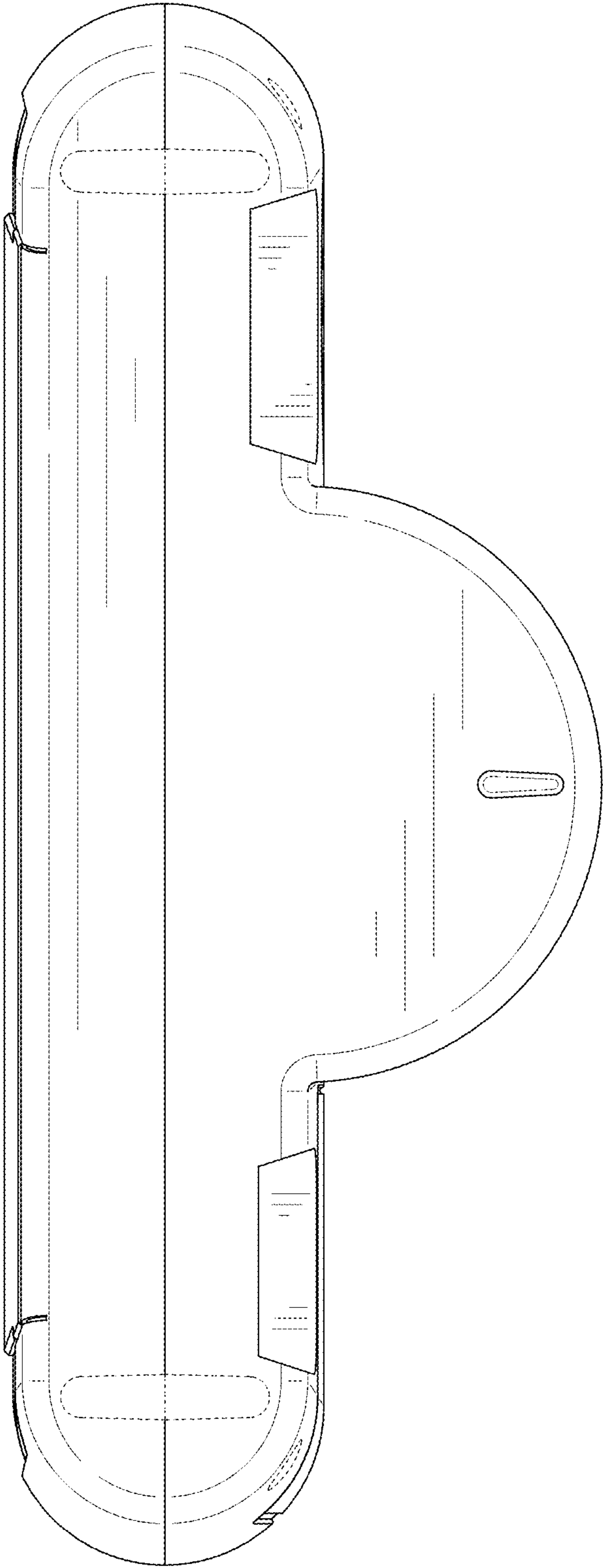


FIG. 8