



US00D927319S

(12) **United States Design Patent** (10) **Patent No.:** **US D927,319 S**
Folley (45) **Date of Patent:** **** Aug. 10, 2021**

(54) **CAULK TUBE REPAIR CAP**
(71) Applicant: **Scott David Folley**, Rockville, MD (US)
(72) Inventor: **Scott David Folley**, Rockville, MD (US)
(**) Term: **15 Years**
(21) Appl. No.: **29/732,570**
(22) Filed: **Apr. 24, 2020**
(51) **LOC (13) Cl.** **09-01**
(52) **U.S. Cl.**
USPC **D9/724**; D8/14.1
(58) **Field of Classification Search**
USPC D8/14.1; D9/724, 440
CPC B05C 17/00506; B05C 17/00508; B05C 17/00516; B01F 13/0023
See application file for complete search history.

(56) **References Cited**
U.S. PATENT DOCUMENTS
D458,677 S * 6/2002 Farris D24/112
D487,147 S * 2/2004 Ellingboe D24/129
6,824,026 B1 * 11/2004 Boutwell B05C 17/00516
222/562
D607,345 S * 1/2010 Bleimeyer D9/724
D677,535 S * 3/2013 Scott D8/14.1
D729,625 S * 5/2015 Wheeler D9/500
9,067,711 B2 * 6/2015 Melia B65D 35/30
D913,111 S * 3/2021 Diers D9/724

2007/0095865 A1* 5/2007 Chick B05C 17/00513
222/568
2015/0298160 A1* 10/2015 Hudson B01F 15/00896
366/218
2016/0067736 A1* 3/2016 Lussier B05C 17/00506
222/562
2018/0044070 A1* 2/2018 Coe B65D 41/023
2019/0255559 A1* 8/2019 Folley B05C 17/00509

* cited by examiner

Primary Examiner — Philip S Hyder
(74) *Attorney, Agent, or Firm* — Quickpatents, LLC;
Kevin Prince

(57) **CLAIM**

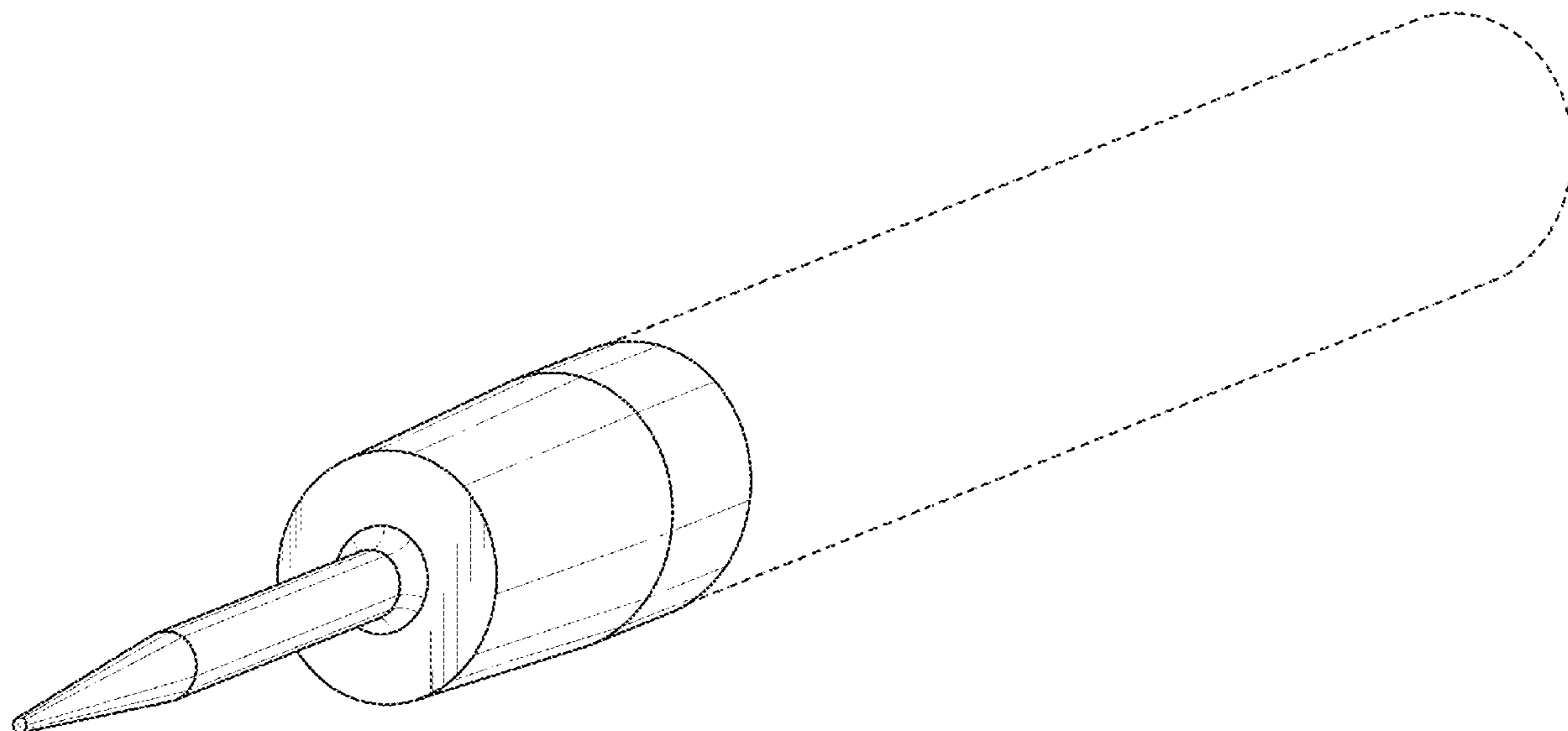
The ornamental design for a caulk tube repair cap, as shown and described.

DESCRIPTION

FIG. 1 is a perspective view of a caulk tube repair cap, showing my new design;
FIG. 2 is a front elevational view of the invention, the rear elevational view, left-side elevational view, and right-side elevational view all being identical thereto;
FIG. 3 is a top plan view thereof;
FIG. 4 is a bottom plan view thereof; and,
FIG. 5 is a cross-sectional view thereof, taken along line 5-5 of FIG. 2.

The broken lines showing a caulk tube in FIG. 1 depict environmental matter and form no part of the claimed design.

1 Claim, 3 Drawing Sheets



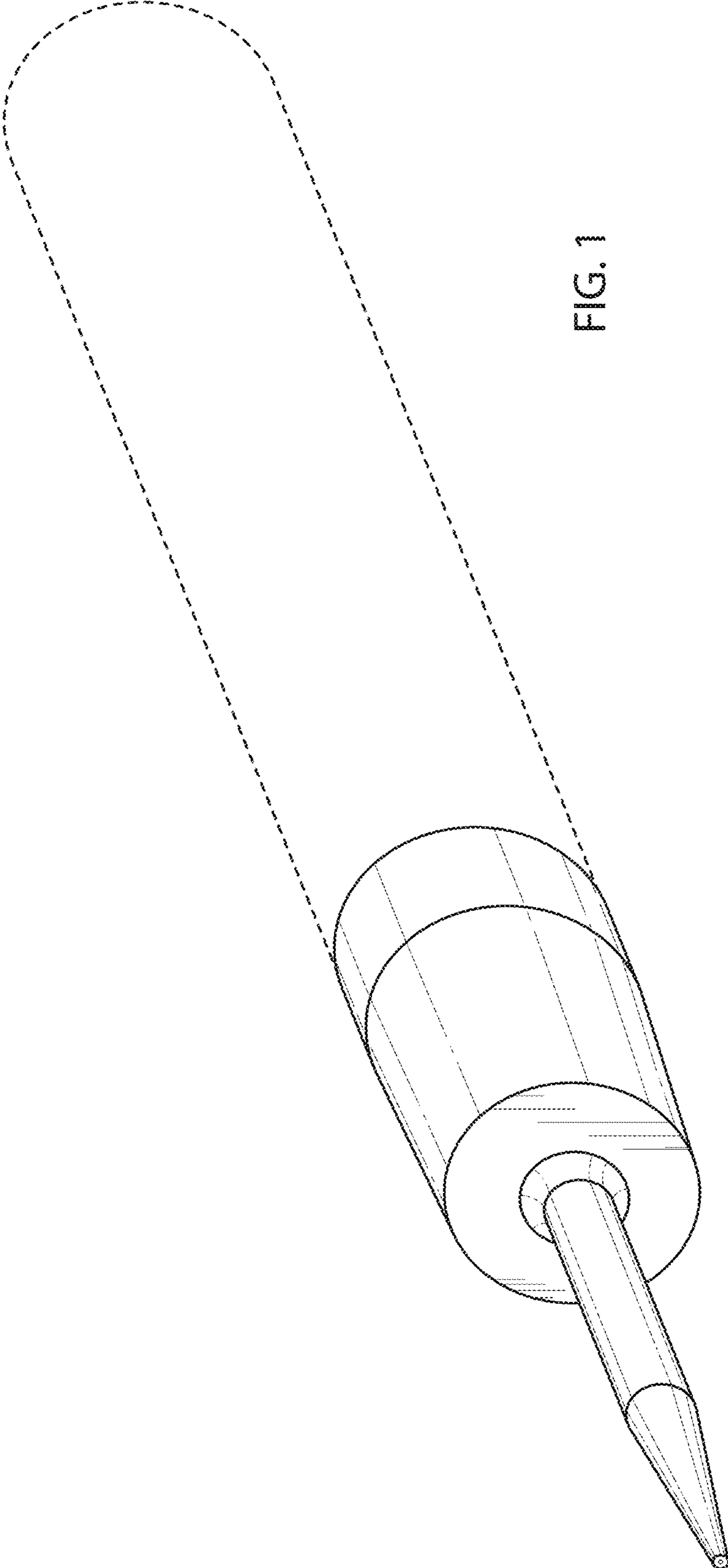


FIG. 1

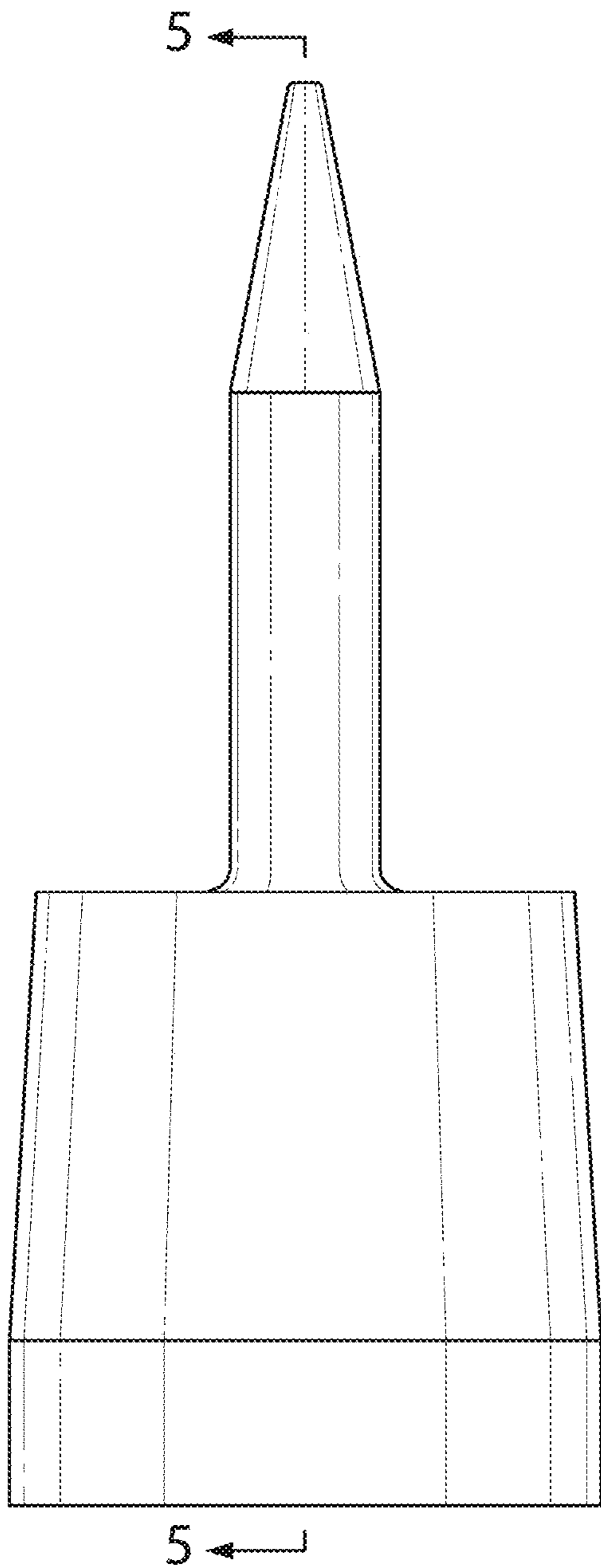
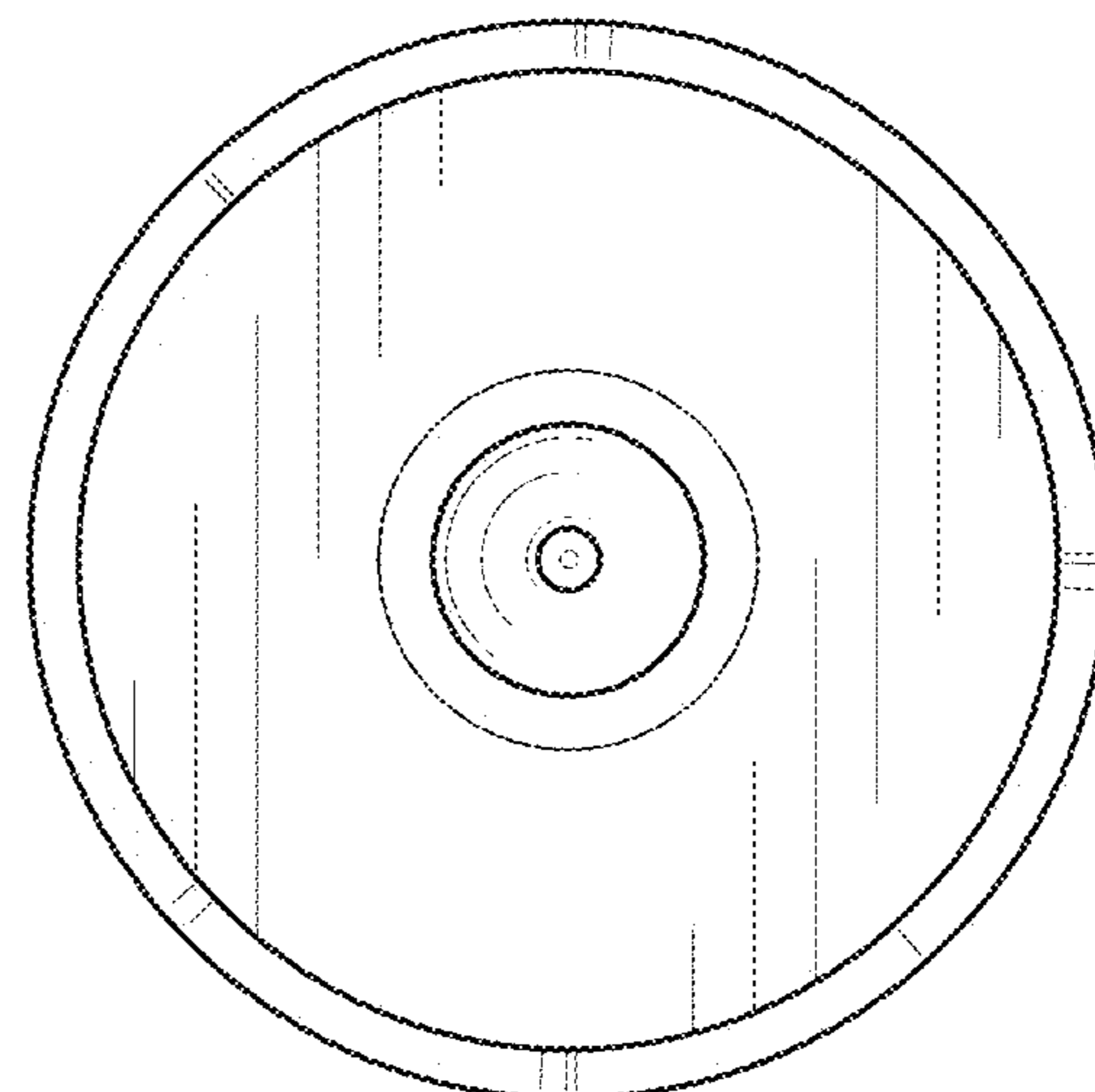


FIG. 2

FIG. 3



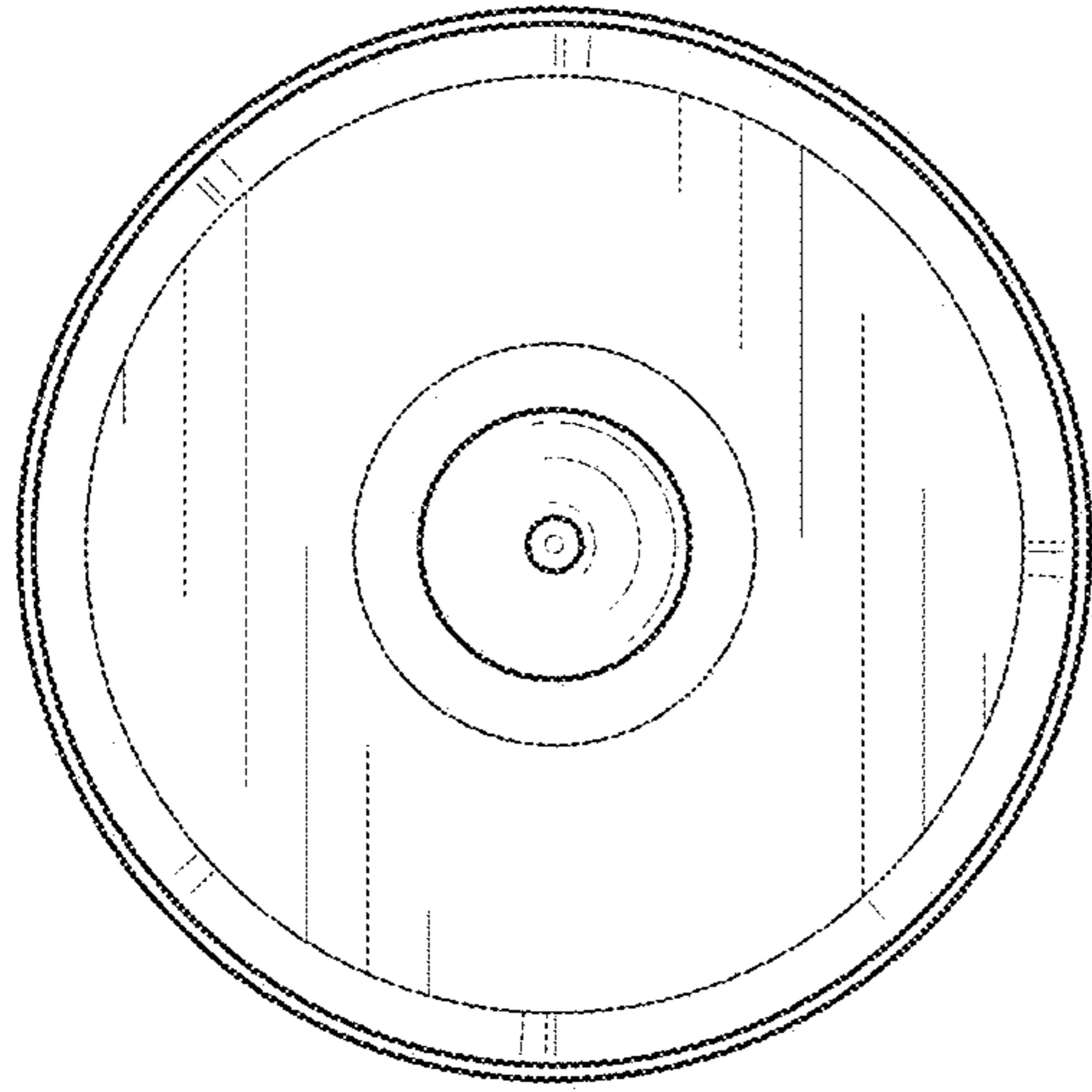


FIG. 4

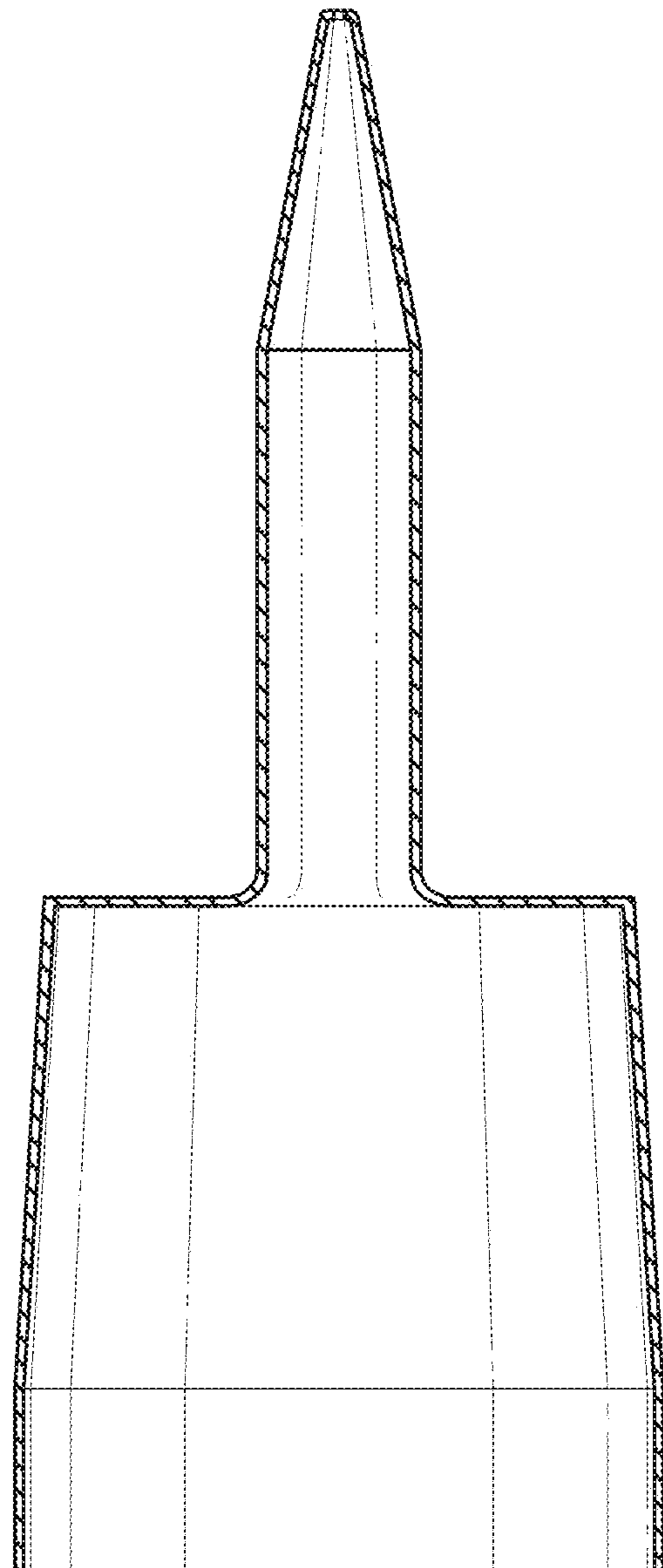


FIG. 5