



US00D927317S

(12) **United States Design Patent**
Akana et al.

(10) **Patent No.:** **US D927,317 S**

(45) **Date of Patent:** **** Aug. 10, 2021**

(54) **PACKAGING WITH ACCESSORIES**

(71) Applicant: **Apple Inc.**, Cupertino, CA (US)

(72) Inventors: **Jody Akana**, San Francisco, CA (US); **Bartley K. Andre**, Palo Alto, CA (US); **Shota Aoyagi**, San Francisco, CA (US); **Jeremy Bataillou**, San Francisco, CA (US); **Daniel J. Coster**, San Francisco, CA (US); **Daniele De Iuliis**, San Francisco, CA (US); **M. Evans Hankey**, San Francisco, CA (US); **Julian Hoenig**, San Francisco, CA (US); **Richard P. Howarth**, San Francisco, CA (US); **Jonathan P. Ive**, San Francisco, CA (US); **Duncan Robert Kerr**, San Francisco, CA (US); **Shin Nishibori**, Kailua, HI (US); **Matthew Dean Rohrbach**, San Francisco, CA (US); **Peter Russell-Clarke**, San Francisco, CA (US); **Mikael Silvano**, San Francisco, CA (US); **Christopher J. Stringer**, Woodside, CA (US); **Eugene Antony Whang**, San Francisco, CA (US); **Rico Zörkendörfer**, San Francisco, CA (US)

(73) Assignee: **Apple Inc.**, Cupertino, CA (US)

(**) Term: **15 Years**

(21) Appl. No.: **29/766,239**

(22) Filed: **Jan. 14, 2021**

Related U.S. Application Data

(63) Continuation of application No. 29/747,618, filed on Aug. 24, 2020, now Pat. No. Des. 908,018, which is (Continued)

(51) **LOC (13) Cl.** **09-01**

(52) **U.S. Cl.**
USPC **D9/721; D14/223**

(58) **Field of Classification Search**

USPC D9/414, 418, 423, 424, 425, 426, 430, D9/432, 455, 456, 457, 737; D14/205, D14/223, 250, 251; D3/201; D8/356
CPC B65D 5/4204; B65D 2571/0066; B65D 1/36; B65D 71/0003; B65D 1/34; B65D 77/24; B65D 75/327; B65D 71/70; B65D 85/00; B65D 75/32; B65D 75/36; B65D 5/5038; B65D 75/30; B65D 81/36; B65D 2501/24019; B65D 25/54; B65D 5/2033;
(Continued)

(56) **References Cited**

U.S. PATENT DOCUMENTS

1,315,593 A 9/1919 Binder
2,316,384 A 4/1943 Abramson
(Continued)

OTHER PUBLICATIONS

Jacostore.co.uk, "Black Ladybird Beetle Earphones," (<http://www.jacostore.co.uk/black-ladybird-beetle-earphones-45-p.asp>), reportedly accessed Oct. 19, 2012, 1 page.

Primary Examiner — Lauren R Calve

(74) *Attorney, Agent, or Firm* — Sterne, Kessler, Goldstein & Fox P.L.L.C.

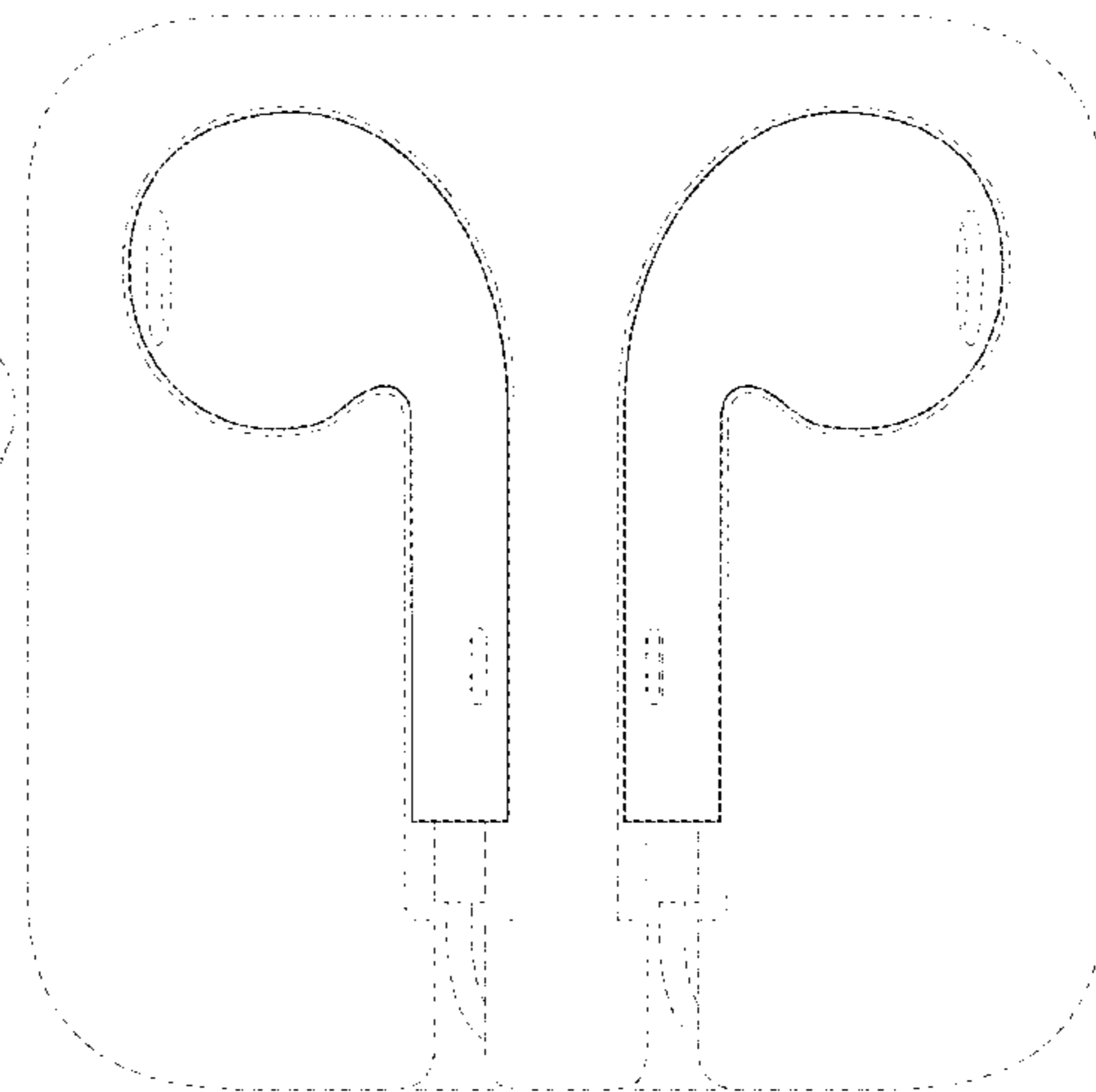
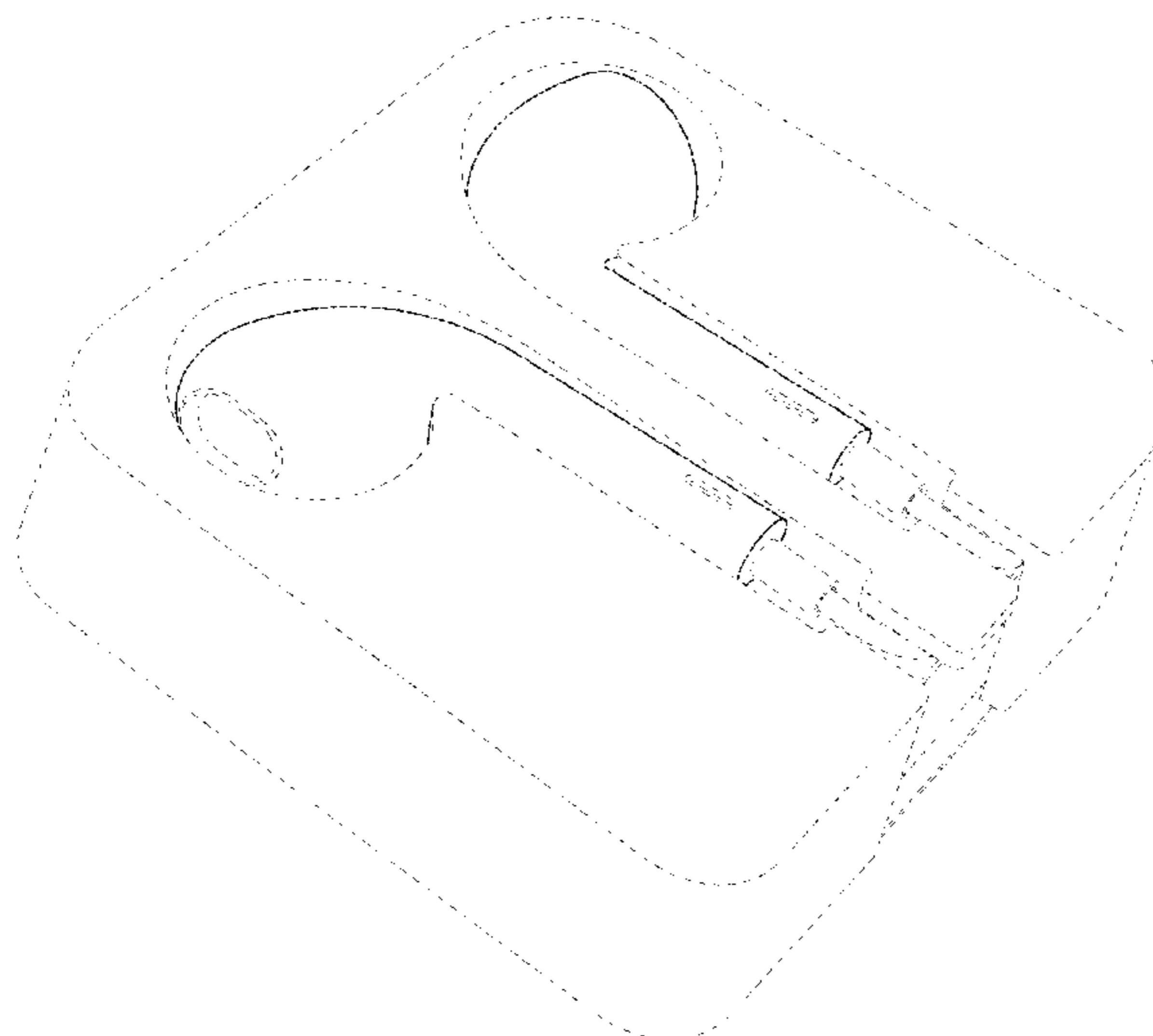
(57) **CLAIM**

The ornamental design for packaging with accessories, as shown and described.

DESCRIPTION

FIG. 1 is a front perspective view of packaging with accessories showing the claimed design; and, FIG. 2 is a front view thereof. The broken lines in the figures show portions of the packaging with accessories that form no part of the claimed design.

1 Claim, 2 Drawing Sheets



Related U.S. Application Data

a continuation of application No. 29/706,723, filed on Sep. 23, 2019, now Pat. No. Des. 894,017, which is a continuation of application No. 29/629,980, filed on Dec. 18, 2017, now Pat. No. Des. 860,810, which is a continuation of application No. 29/598,220, filed on Mar. 23, 2017, now Pat. No. Des. 807,761, which is a continuation of application No. 29/546,675, filed on Nov. 24, 2015, now Pat. No. Des. 782,327, which is a continuation of application No. 29/489,065, filed on Apr. 25, 2014, now Pat. No. Des. 744,855, which is a continuation of application No. 29/431,882, filed on Sep. 12, 2012, now Pat. No. Des. 704,072.

- (58) **Field of Classification Search**
 CPC B65D 75/14; B65D 2571/0029; B65D 75/367; B65D 75/323; B65D 25/04; B65D 2543/00194; B65D 5/566; B65D 5/503; B65D 5/5028; B65D 77/003; B65D 81/3453; B65D 81/133; B65D 77/0433; B65D 21/0233

See application file for complete search history.

- (56) **References Cited**

U.S. PATENT DOCUMENTS

2,606,708 A 8/1952 Irvan
 D256,994 S 9/1980 MacGregor
 D273,178 S 3/1984 Dunlap
 4,542,822 A 9/1985 Kennedy, Jr. et al.
 4,938,344 A 7/1990 McHale et al.
 D311,684 S 10/1990 Newell et al.
 D355,110 S 2/1995 Olson et al.
 5,394,983 A 3/1995 Latulippe et al.
 5,462,170 A 10/1995 Colgate
 D369,295 S 4/1996 Kobari et al.
 5,730,294 A 3/1998 Blosser et al.
 D397,865 S 9/1998 Lin
 D402,538 S 12/1998 Wagter et al.
 5,984,224 A 11/1999 Yang
 6,305,539 B1 10/2001 Sanders, Jr.
 6,370,401 B1 4/2002 Baranowski et al.
 6,571,956 B2 6/2003 Mann
 D479,016 S 8/2003 Sgariboldi
 6,690,807 B1 2/2004 Meyer
 D493,335 S 7/2004 Armato
 D505,132 S 5/2005 Linville et al.
 D506,744 S 6/2005 Andre et al.
 D515,070 S 2/2006 Andre et al.
 D531,025 S 10/2006 Tanner
 D542,123 S 5/2007 Symons
 D556,571 S 12/2007 Jalet
 D558,571 S 1/2008 Andre et al.
 D573,977 S 7/2008 Ledbetter et al.
 D577,250 S 9/2008 Zanaletti
 D580,752 S 11/2008 Andre et al.
 D584,142 S 1/2009 Andre et al.
 D587,677 S 3/2009 Andre et al.
 D589,491 S 3/2009 Andre et al.
 D593,537 S 6/2009 Arimoto
 D601,884 S 10/2009 Andre et al.
 D604,501 S 11/2009 Lee
 D604,605 S 11/2009 Chung et al.
 D607,317 S 1/2010 Collins
 D616,741 S 6/2010 Andre et al.
 D618,999 S 7/2010 Akana et al.
 D620,781 S 8/2010 Weckworth
 D620,984 S 8/2010 Rose et al.
 D621,256 S 8/2010 Andre et al.
 D624,316 S 9/2010 Ferber et al.
 D633,388 S 3/2011 Andre et al.
 D637,076 S 5/2011 Akana et al.
 D649,449 S 11/2011 Akana et al.
 D658,492 S 5/2012 Akana et al.

D659,530 S 5/2012 Akana et al.
 D668,143 S 10/2012 Akana et al.
 D672,660 S 12/2012 Vural
 D676,321 S 2/2013 Jones et al.
 D681,015 S 4/2013 Akana et al.
 8,457,343 B2 6/2013 Zhu
 D685,771 S 7/2013 Bertenthal
 D686,065 S 7/2013 Kuo et al.
 8,500,054 B2 8/2013 Grant et al.
 D691,594 S 10/2013 Akana et al.
 8,564,436 B2 10/2013 Oleen
 D694,249 S 11/2013 Akana et al.
 8,602,254 B2 12/2013 Ki
 D697,718 S 1/2014 Chun
 8,668,160 B2 3/2014 Cheng
 D704,072 S 5/2014 Akana et al.
 D704,073 S 5/2014 Akana et al.
 D706,643 S 6/2014 Akana et al.
 D709,384 S 7/2014 Vural
 8,811,646 B1 8/2014 Romeo
 D712,279 S 9/2014 Akana et al.
 D712,748 S 9/2014 Akana et al.
 D713,738 S 9/2014 Akana et al.
 D713,739 S 9/2014 Akana et al.
 D718,284 S 11/2014 Shibusawa
 D718,386 S 11/2014 Packard et al.
 D720,718 S 1/2015 Stevinson
 D722,264 S 2/2015 Saideh
 D722,497 S 2/2015 Saideh
 D723,218 S 2/2015 Goswell
 D728,533 S 5/2015 Poulsen et al.
 D730,581 S 5/2015 Hwang
 D733,101 S 6/2015 Pi et al.
 9,045,311 B2 6/2015 Chen
 D733,689 S 7/2015 Narita
 D739,657 S 9/2015 Hsieh et al.
 D740,653 S 10/2015 Akana et al.
 D744,855 S 12/2015 Akana et al.
 D746,698 S 1/2016 Akana et al.
 D768,008 S 10/2016 Akana et al.
 D770,412 S 11/2016 Son
 D782,327 S 3/2017 Akana et al.
 D795,061 S 8/2017 Bacallao
 D796,968 S 9/2017 Akana et al.
 D801,314 S 10/2017 Akana et al.
 D807,761 S 1/2018 Akana et al.
 D808,281 S 1/2018 Akana et al.
 9,975,692 B2 5/2018 Pincus et al.
 D833,887 S 11/2018 Akana et al.
 D834,301 S 11/2018 Poissant
 D860,810 S 9/2019 Akana et al.
 D861,497 S 10/2019 Cernokus et al.
 D864,713 S 10/2019 Roberts
 D870,451 S 12/2019 Birger
 D871,894 S 1/2020 Brett
 D875,518 S 2/2020 Giwani
 D875,519 S 2/2020 Giwani
 D876,242 S 2/2020 Akana et al.
 D876,834 S 3/2020 Breen et al.
 D878,045 S 3/2020 Akana et al.
 D894,017 S 8/2020 Akana et al.
 D896,788 S * 9/2020 Akana D14/223
 D908,018 S * 1/2021 Akana D9/721
 D911,958 S * 3/2021 Zeng D13/108
 2003/0220610 A1 11/2003 Lastovich et al.
 2004/0238392 A1 12/2004 Peterson et al.
 2004/0260235 A1 12/2004 Douglas
 2005/0101910 A1 5/2005 Bowman et al.
 2005/0194021 A1 9/2005 Byun
 2007/0020993 A1 1/2007 Symons
 2007/0154048 A1 * 7/2007 Chang H04R 1/02
 381/371
 2007/0191773 A1 8/2007 Wojcik
 2009/0194630 A1 8/2009 Thiyagarajan
 2009/0285436 A1 11/2009 Lowry
 2011/0317865 A1 * 12/2011 Stevinson H04R 1/1033
 381/384
 2012/0114162 A1 5/2012 Zheng
 2012/0128193 A1 5/2012 Stevinson

(56)

References Cited

U.S. PATENT DOCUMENTS

2012/0237074	A1	9/2012	Aase	
2013/0114231	A1	5/2013	Cheng	
2013/0134252	A1	5/2013	Cheng	
2017/0195760	A1*	7/2017	Tang	B65D 85/671
2017/0354474	A1	12/2017	Dobbyn	

* cited by examiner

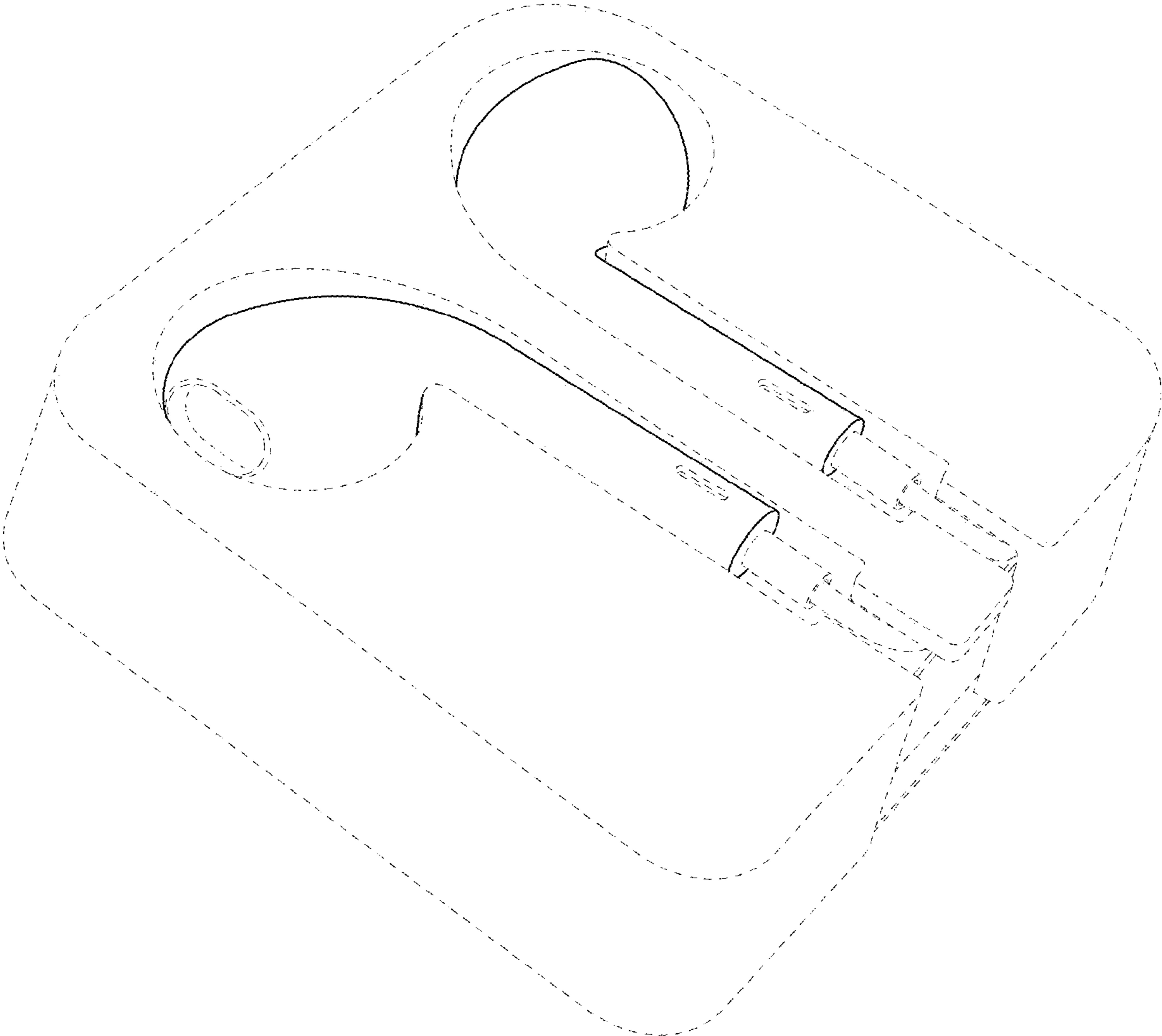


FIG. 1

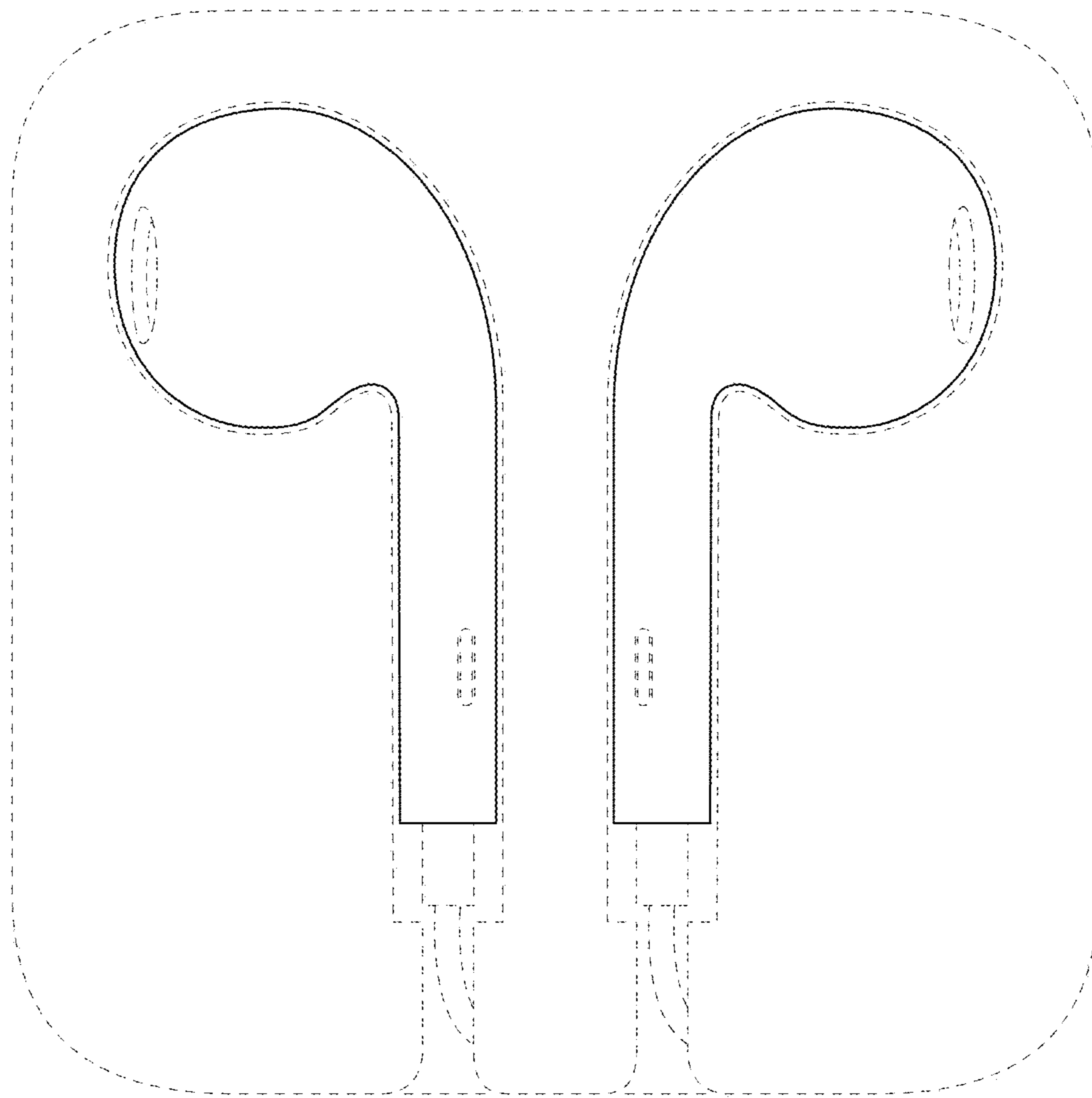


FIG. 2