



US00D927315S

(12) **United States Design Patent** (10) **Patent No.:** **US D927,315 S**
Rucker (45) **Date of Patent:** **** Aug. 10, 2021**

(54) **BAG**

(71) Applicant: **Simon Rucker**, London (GB)

(72) Inventor: **Simon Rucker**, London (GB)

(**) Term: **15 Years**

(21) Appl. No.: **29/717,713**

(22) Filed: **Dec. 18, 2019**

(51) **LOC (13) Cl.** **09-05**

(52) **U.S. Cl.**
 USPC **D9/705**

(58) **Field of Classification Search**
 USPC D9/702–714, 720–722, 416–417,
 D9/695–696; D24/118–119, 207;
 383/200, 207, 38, 208–209, 63, 61.1, 113;
 229/87.06, 87.03, 87.08; 426/106, 115,
 426/119–120, 122, 410; 222/94, 107,
 222/541.1, 92, 541.2; 206/811, 229, 484;
 219/727

CPC B65D 65/18; B65D 65/02; B65D 65/10;
 B65D 65/38; B65D 83/12; B65D 83/00;
 B65D 31/00; B65D 31/02; B65D 31/04;
 B65D 33/00; B65D 81/00; B65D 81/34;
 B65D 81/36

See application file for complete search history.

(56) **References Cited**

U.S. PATENT DOCUMENTS

D394,605 S *	5/1998	Skiba	D9/709
D688,567 S *	8/2013	Stronski	D9/709
D773,313 S *	12/2016	Singer	D9/710
D777,569 S *	1/2017	Boekeloo	D9/416
D831,498 S *	10/2018	Zhang	D9/702
D832,113 S *	10/2018	Rucker	D9/703
D885,928 S *	6/2020	Tseng	D9/703
D905,565 S *	12/2020	Sharpe	D9/703

* cited by examiner

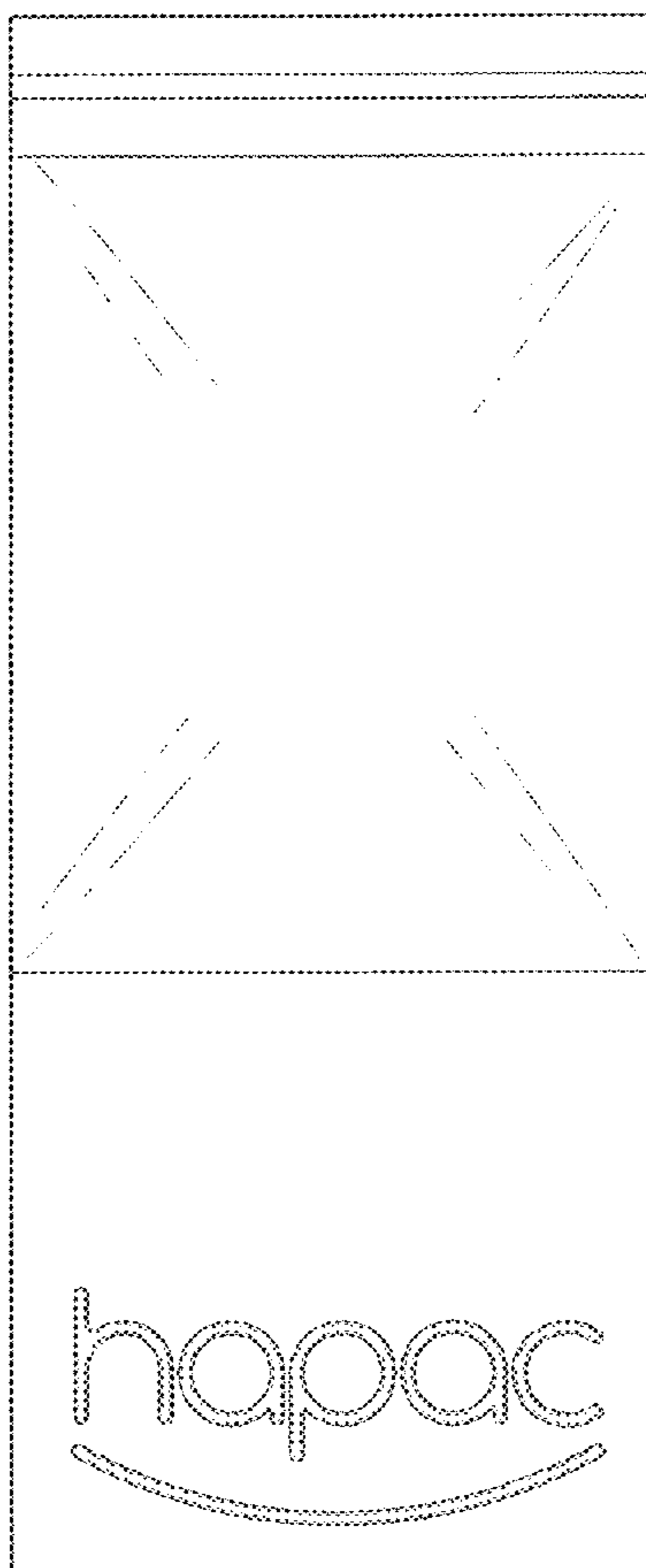
Primary Examiner — Abraham Bahta
 (74) *Attorney, Agent, or Firm* — Levy & Grandinetti

(57) **CLAIM**
 I claim the ornamental design for a bag, as shown and described.

DESCRIPTION

FIG. 1 is a front view of the bag showing my new design;
 FIG. 2 is a rear view thereof;
 FIG. 3 is a top view thereof;
 FIG. 4 is a side view thereof;
 FIG. 5 is a front perspective view thereof; and,
 FIG. 6 is a rear perspective view thereof.

1 Claim, 6 Drawing Sheets



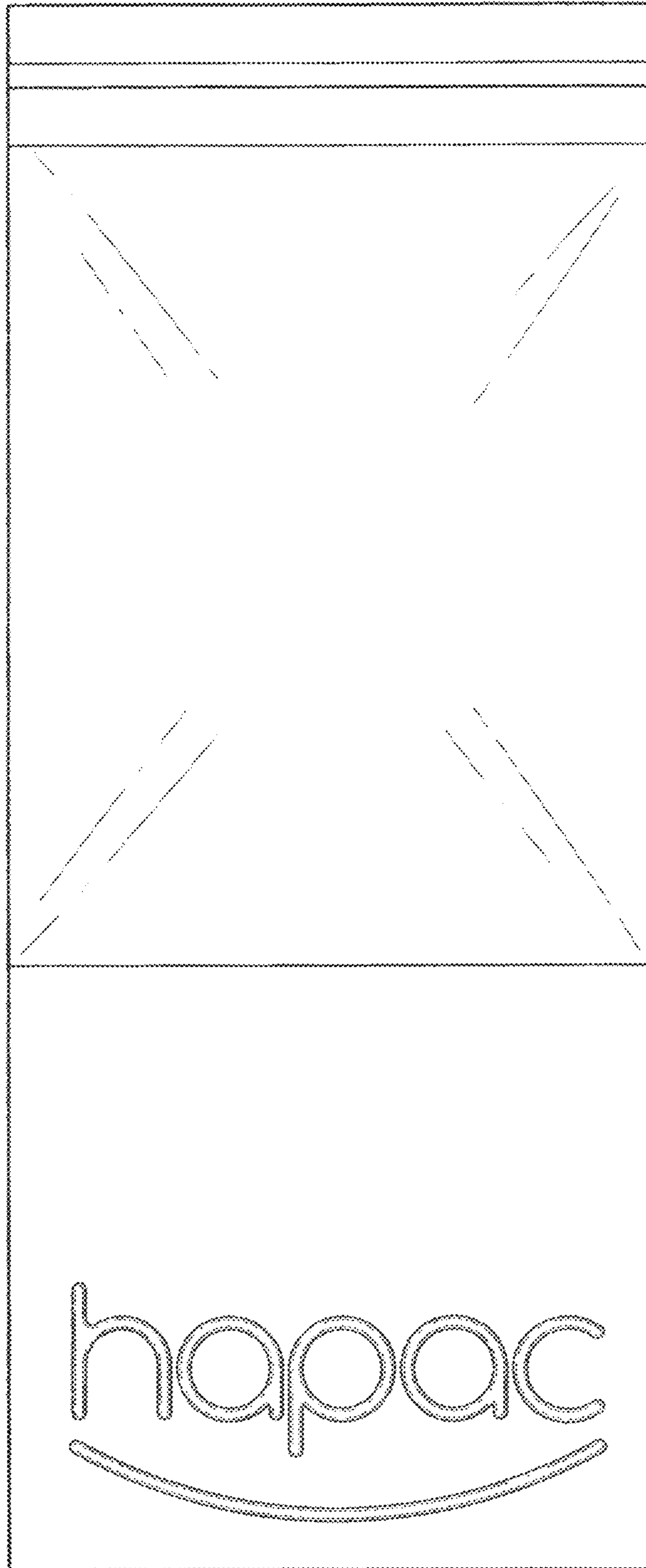


FIG. 1

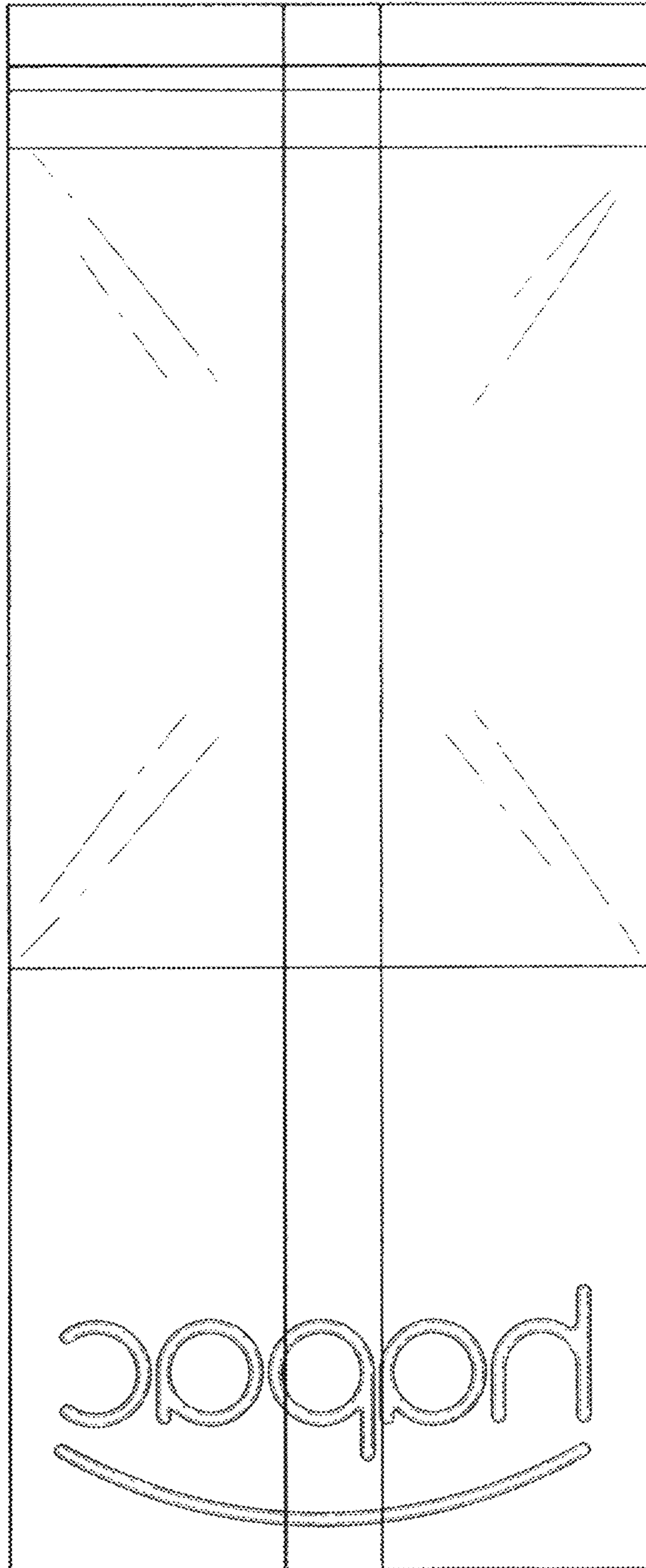


FIG. 2

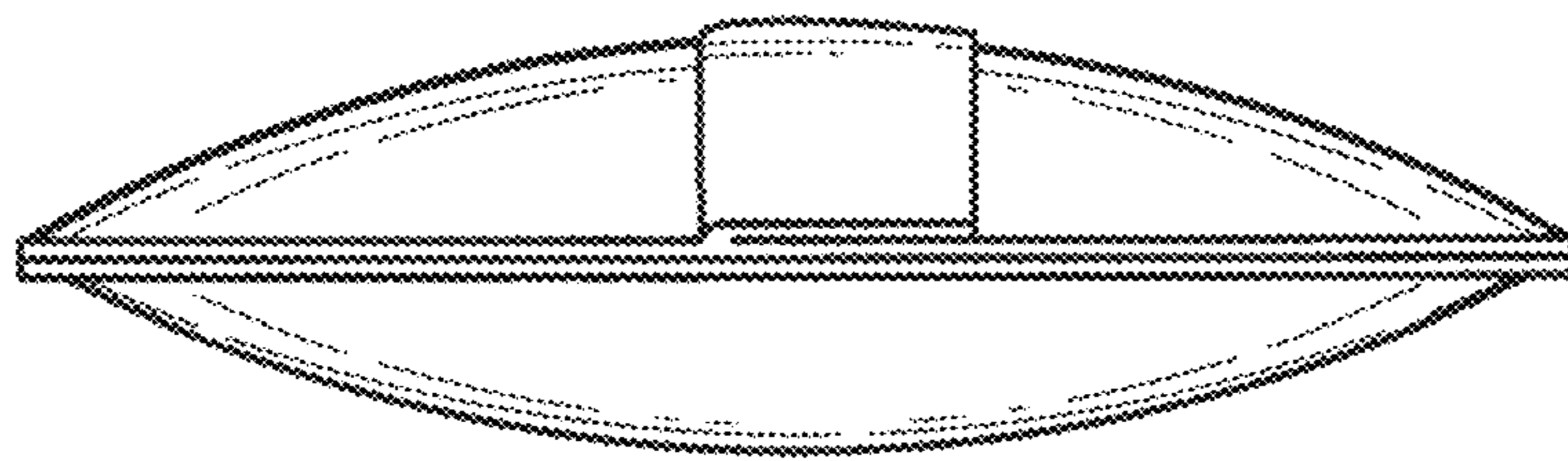


FIG.3

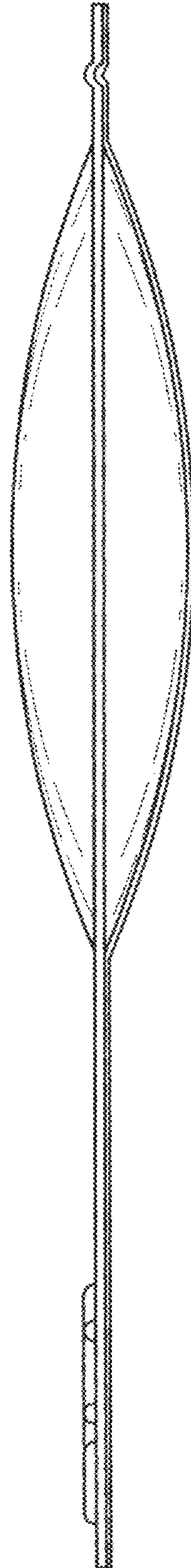


FIG. 4

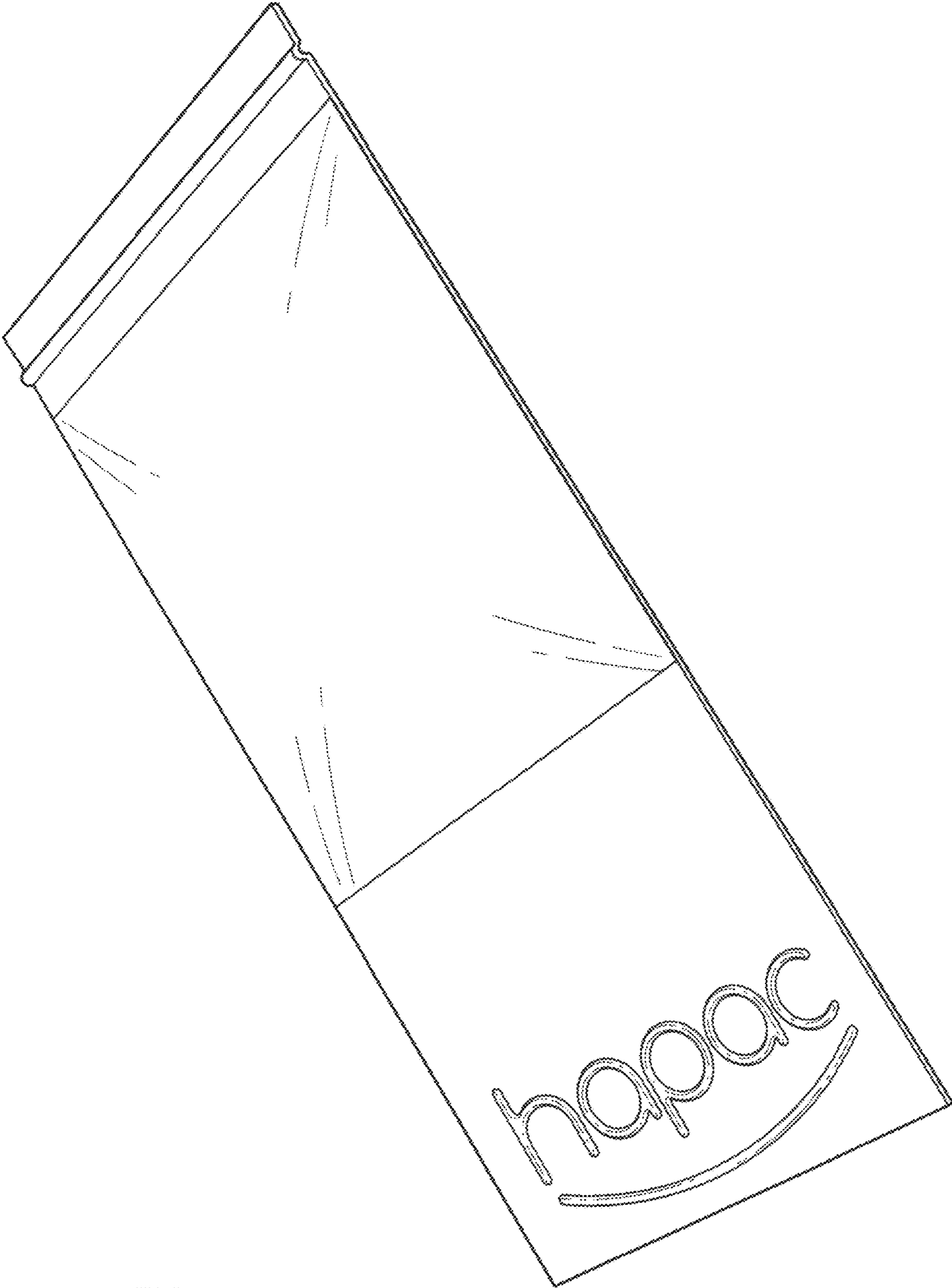


FIG. 5

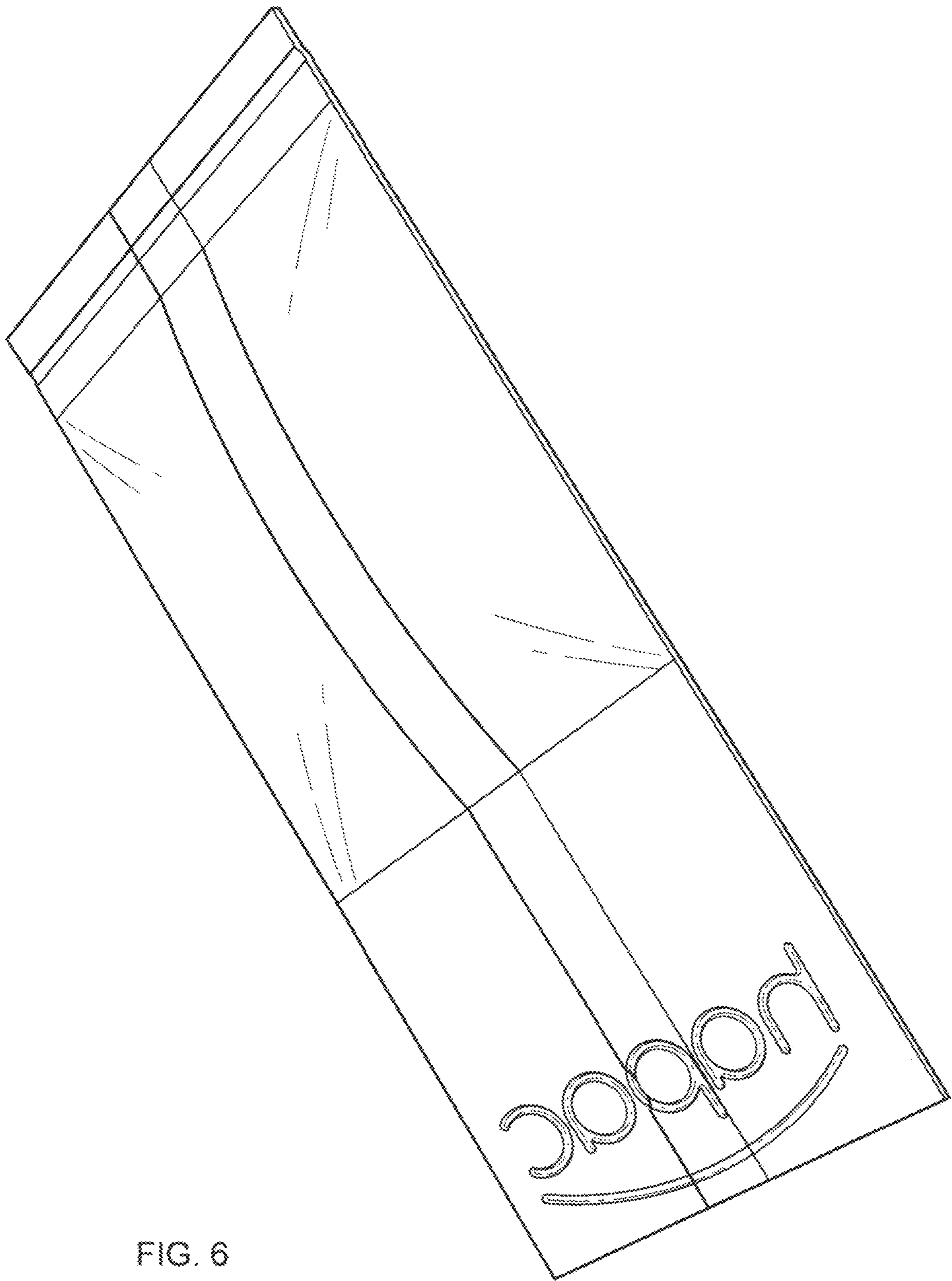


FIG. 6