



US00D927312S

(12) **United States Design Patent**
Campos

(10) **Patent No.:** **US D927,312 S**

(45) **Date of Patent:** **** Aug. 10, 2021**

(54) **FRAGRANCE BOTTLE**

(71) Applicant: **A&P Company, Inc.**, Los Angeles, CA
(US)

(72) Inventor: **Luis A. Campos**, Los Angeles, CA
(US)

(73) Assignee: **A & P Company, INC.**, Los Angeles,
CA (US)

(**) Term: **15 Years**

(21) Appl. No.: **29/687,741**

(22) Filed: **Apr. 15, 2019**

(51) **LOC (13) Cl.** **09-01**

(52) **U.S. Cl.**
USPC **D9/682**; D9/445; D9/448; D9/520;
D9/574

(58) **Field of Classification Search**

USPC D9/434–435, 439, 444–445, 447–448,
D9/516, 520, 544–546, 559, 574, 682,
D9/694, 715, 719

CPC B65D 1/00; B65D 1/02; B65D 1/0223;
B65D 23/00; B65D 2501/00; B65D
2501/0009; B65D 2501/0081; A45D
34/02

See application file for complete search history.

(56) **References Cited**

U.S. PATENT DOCUMENTS

D261,109 S * 10/1981 Rosenblatt D9/544
D263,372 S * 3/1982 Mansau D9/544
D263,683 S * 4/1982 Mansau D9/544
D268,814 S * 5/1983 Scalice D9/544

D290,341 S * 6/1987 Durand D9/544
D291,660 S * 9/1987 Cassini D9/544
D299,429 S * 1/1989 Dinand D9/529
D302,115 S * 7/1989 Dinand D9/573
D328,029 S * 7/1992 Grip D9/544
D329,606 S * 9/1992 Dinand D9/529
D330,783 S * 11/1992 Dinand D28/91.1
D341,091 S * 11/1993 Granai D9/573
D356,502 S * 3/1995 Poandl D9/520
D420,596 S * 2/2000 Maddy D9/560
D639,667 S * 6/2011 Bogert D9/544
D764,921 S * 8/2016 Gaydon D9/544
D843,219 S * 3/2019 Faillant Dumas D9/544
D896,091 S * 9/2020 Dalton D9/560

* cited by examiner

Primary Examiner — Dana Meyrow

(74) *Attorney, Agent, or Firm* — Trojan Law Offices

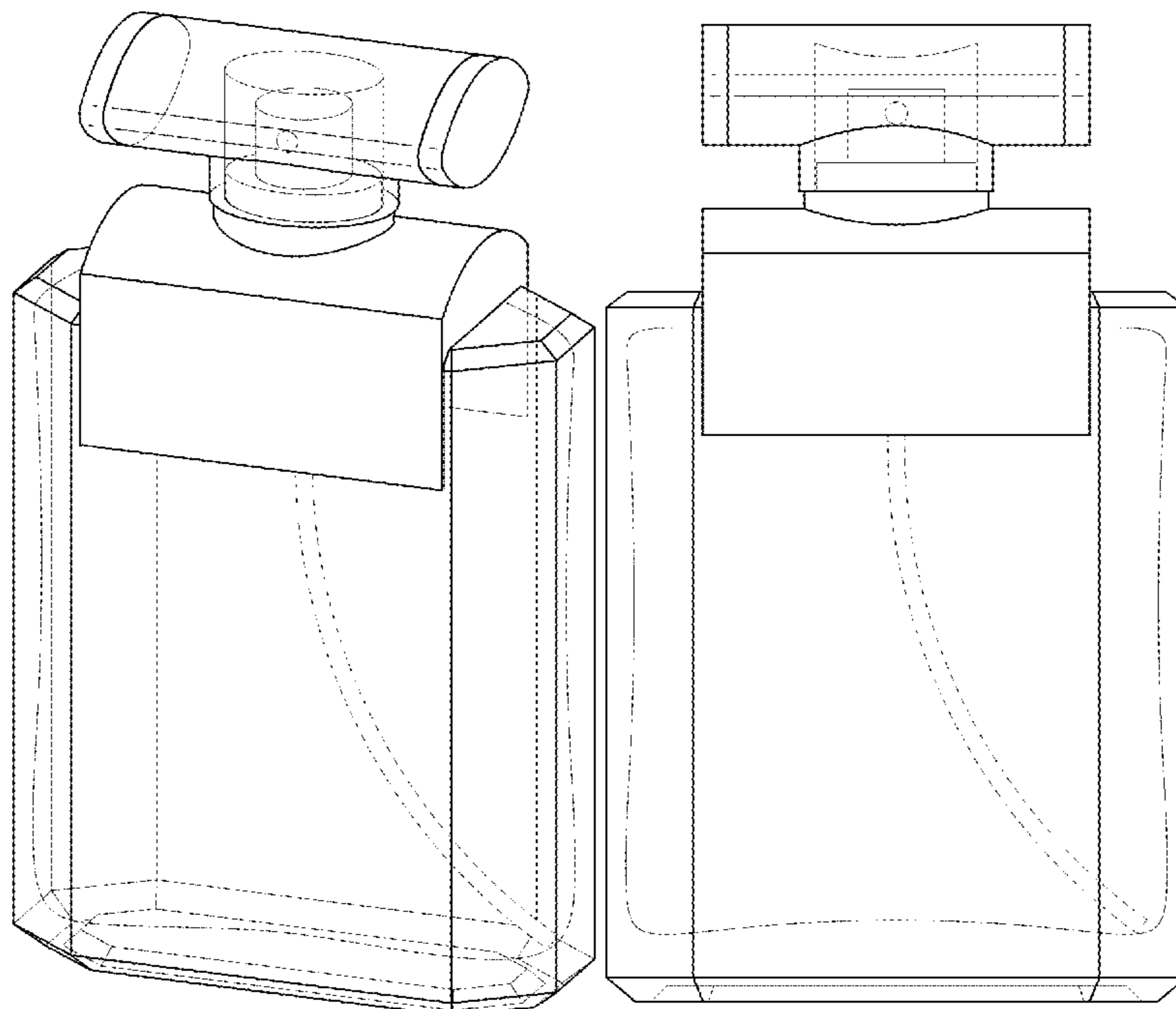
(57) **CLAIM**

The ornamental design for a fragrance bottle, as shown and described.

DESCRIPTION

FIG. 1 is a top front perspective view of a fragrance bottle in accordance with the present invention; FIG. 2 is a bottom rear perspective view thereof; FIG. 3 is a front elevation view thereof; FIG. 4 is a rear elevation view thereof; FIG. 5 is a side elevation view thereof; FIG. 6 is a top plan view thereof; FIG. 7 is a bottom plan view thereof; and, FIG. 8 is an exploded, top perspective view thereof. Any broken lines, shown throughout in the drawing figures, are included for the purpose of illustrating environmental structures and form no part of the claimed design.

1 Claim, 4 Drawing Sheets



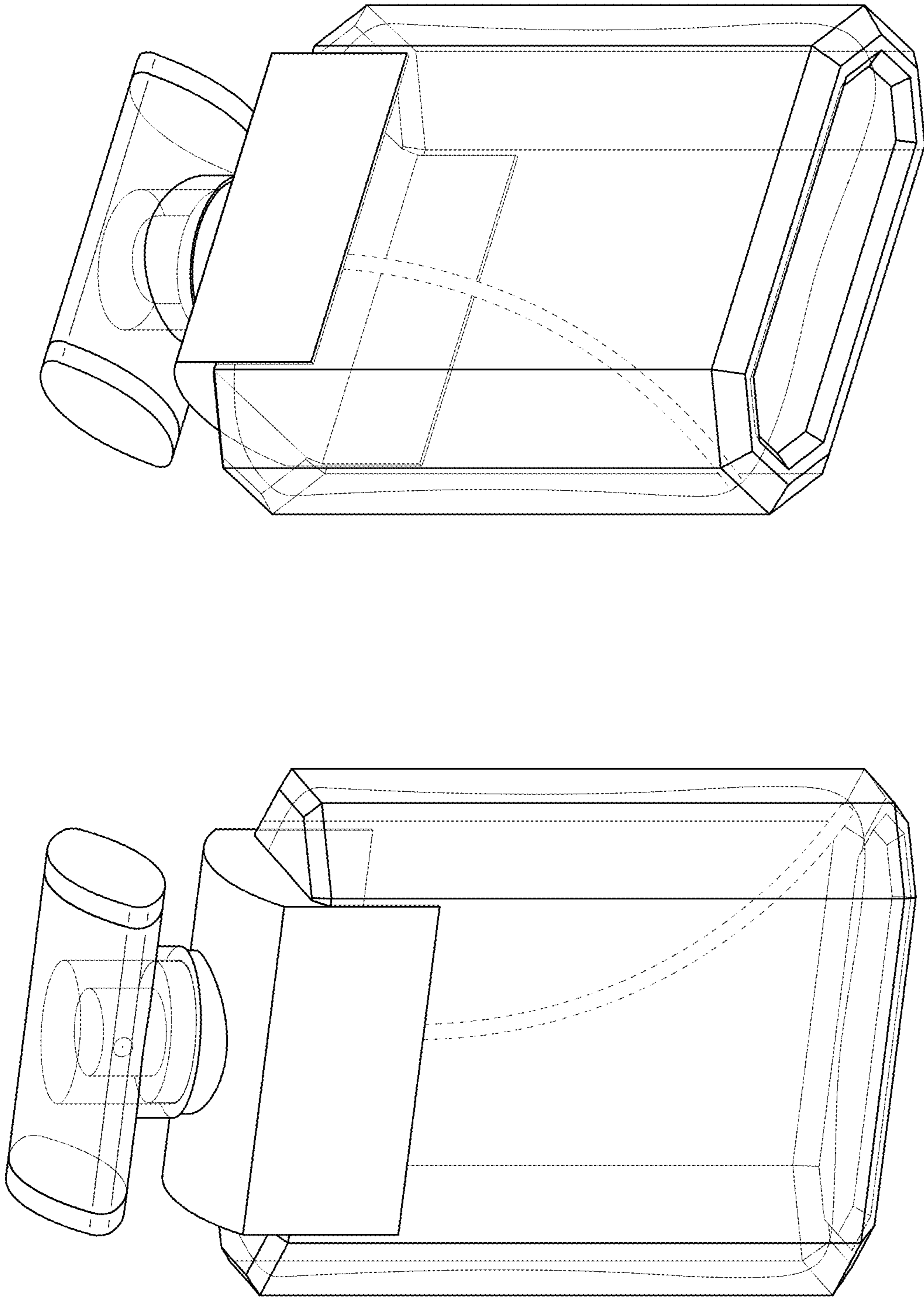


FIG. 2

FIG. 1

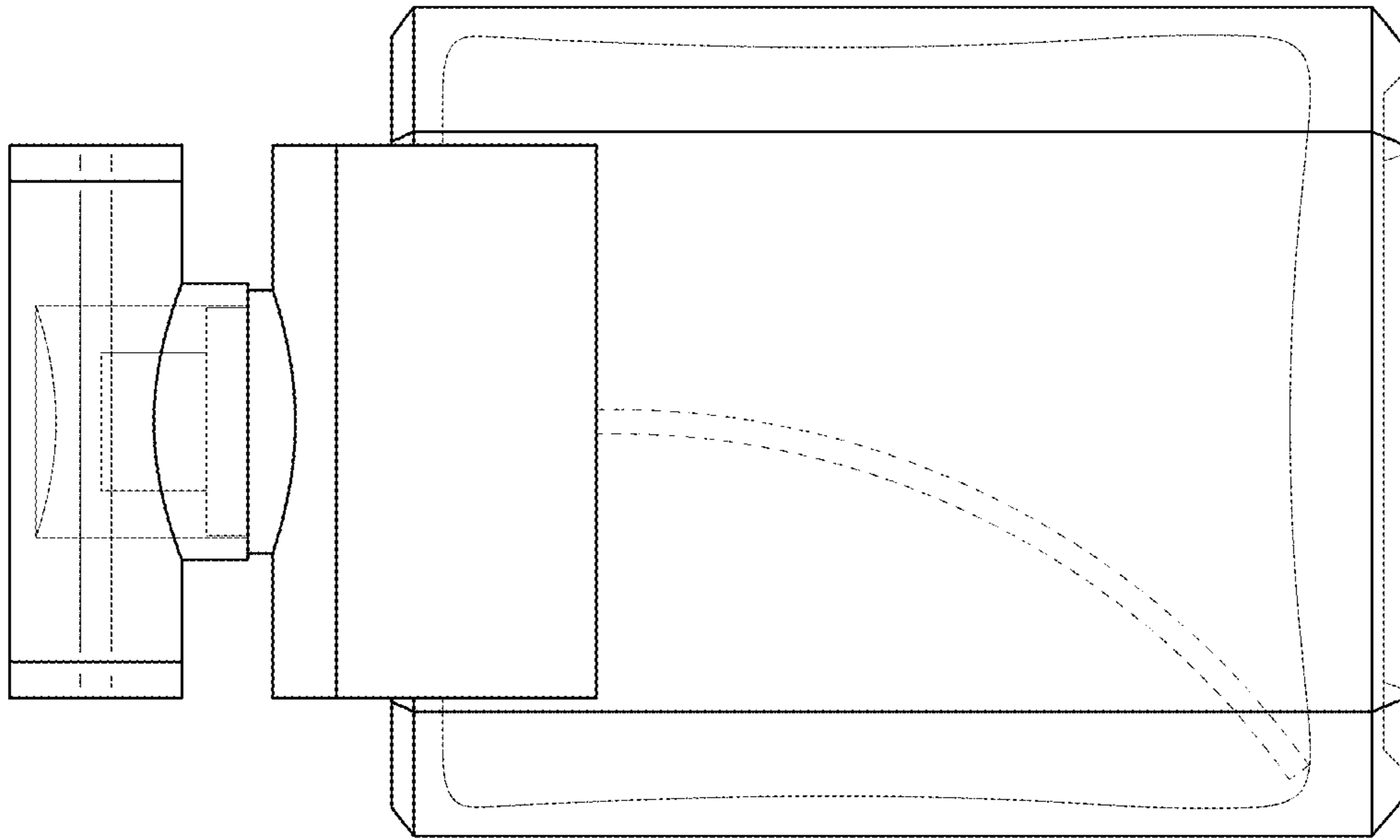


FIG. 4

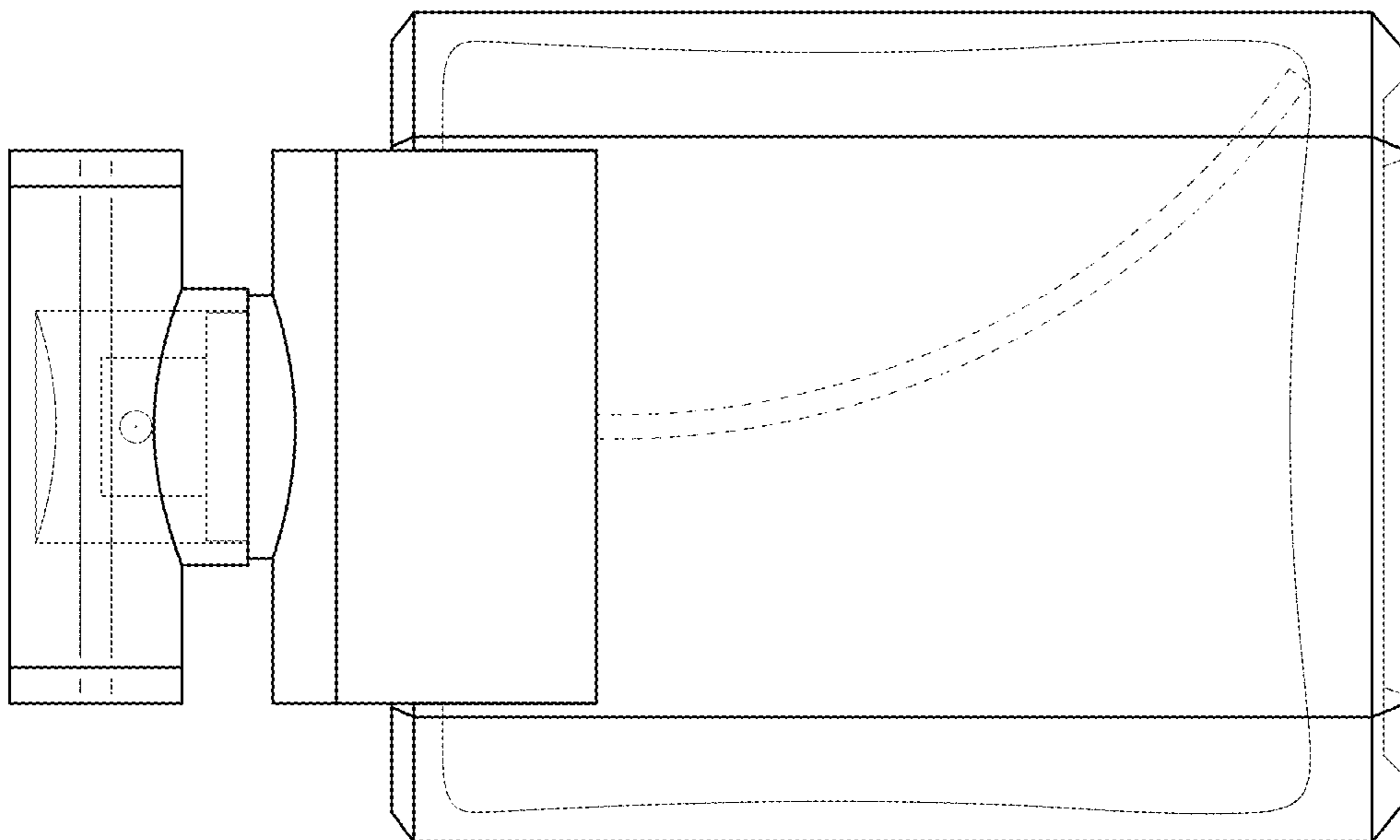


FIG. 3

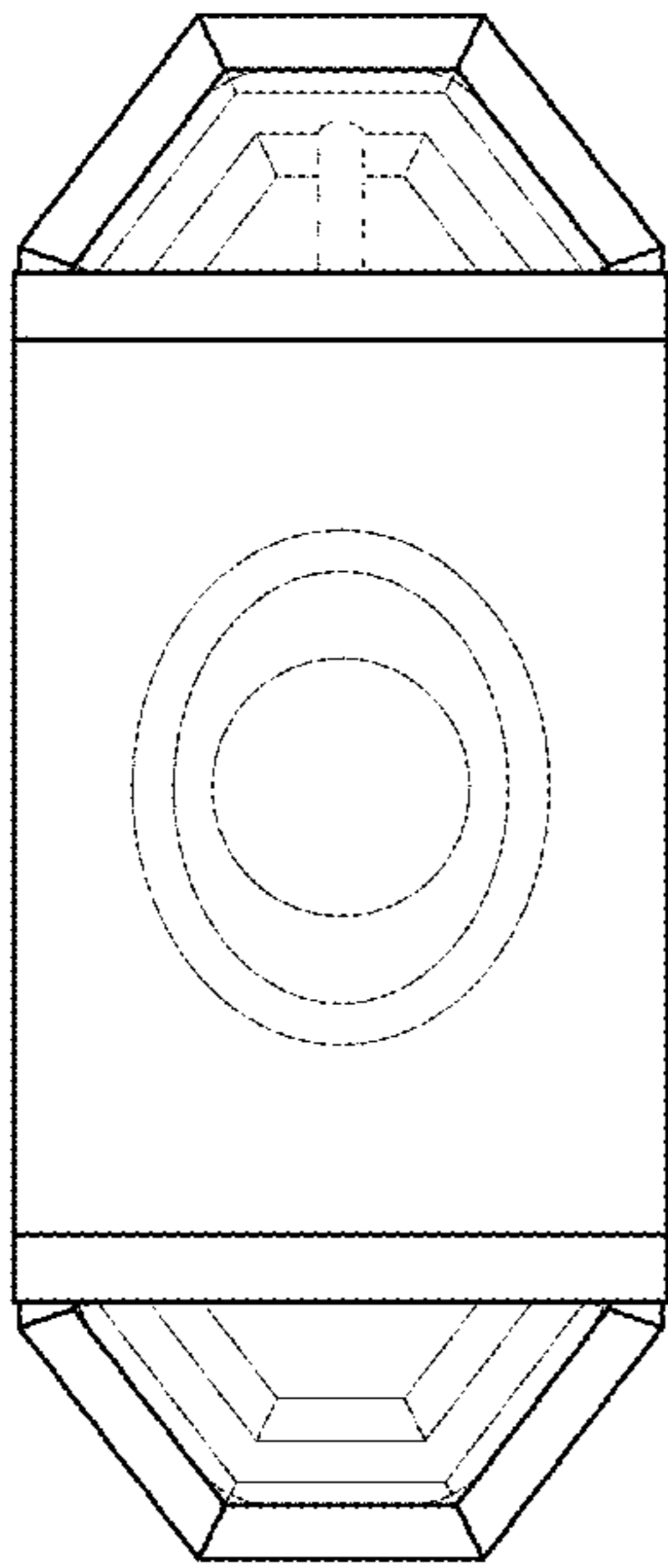


FIG. 6

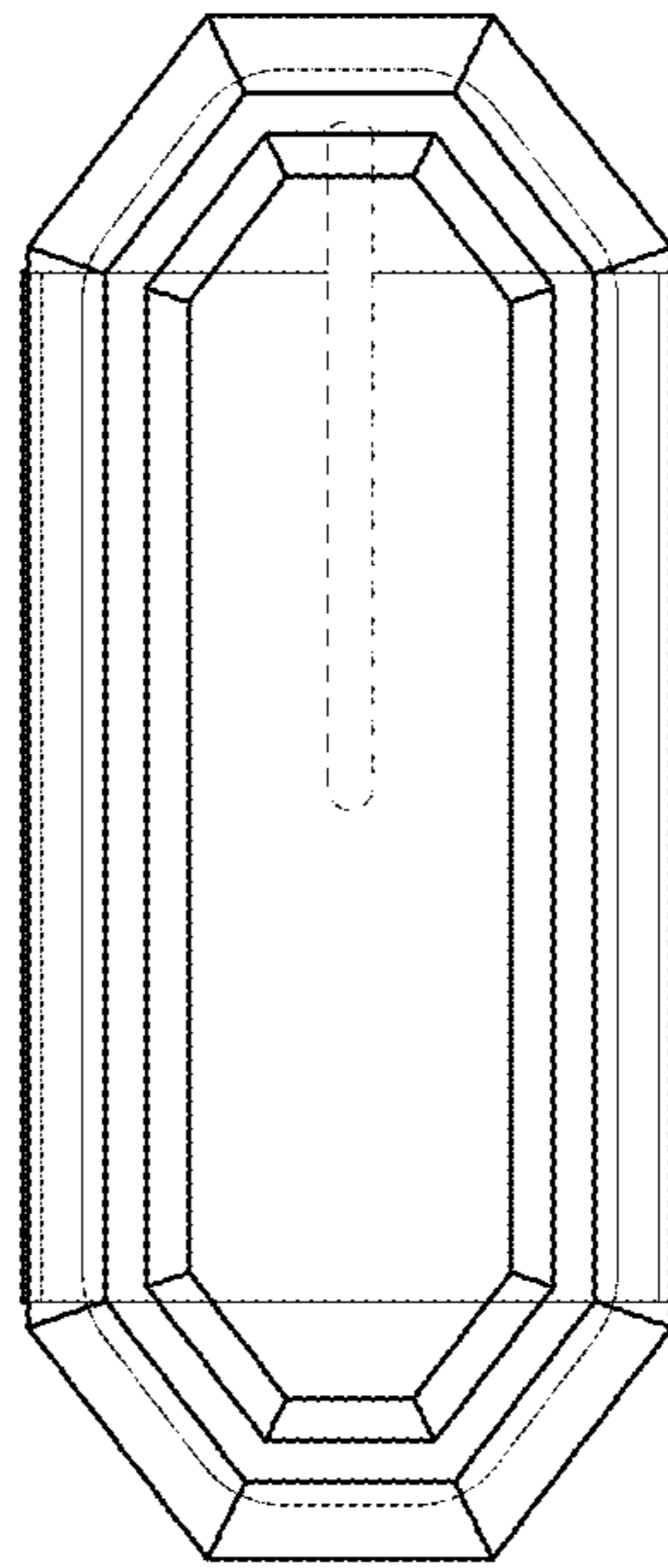


FIG. 7

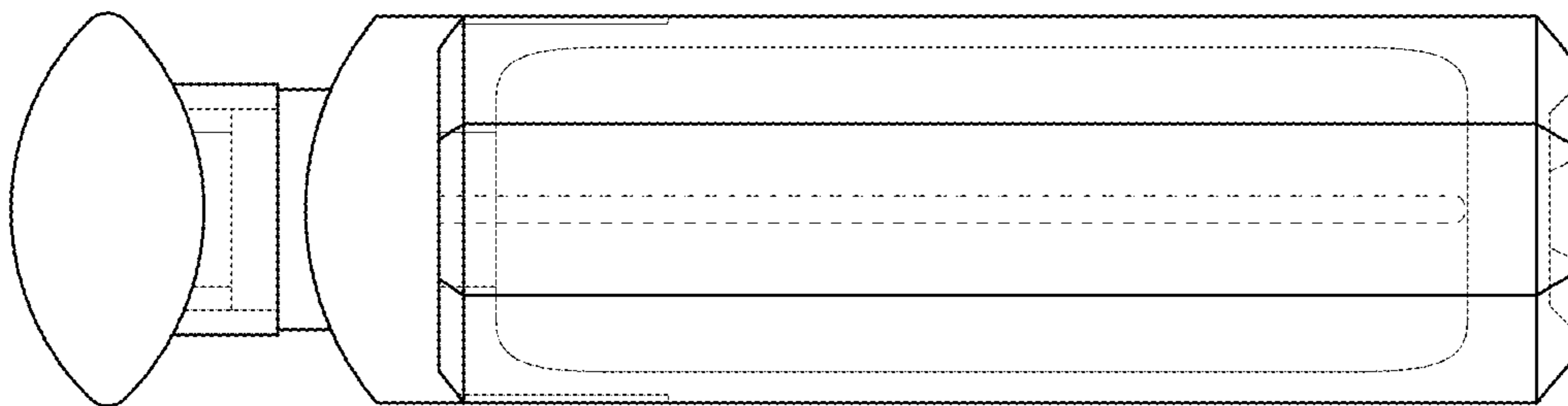


FIG. 5

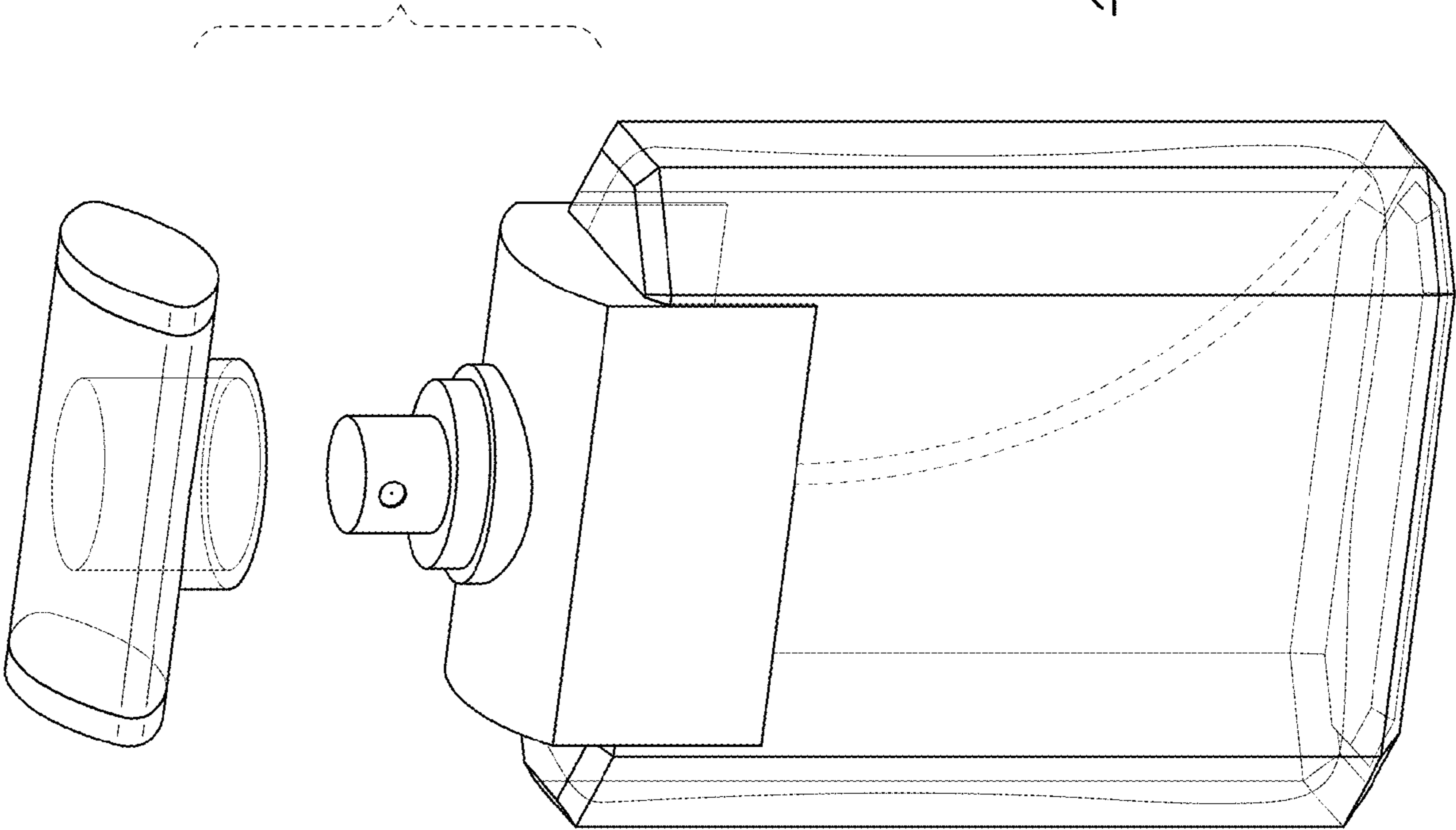


FIG. 8