



US00D927308S

(12) **United States Design Patent**
Aubin

(10) **Patent No.:** **US D927,308 S**

(45) **Date of Patent:** **** Aug. 10, 2021**

(54) **STACKABLE CONTAINER WITH
ECCENTRIC NECK**

(71) Applicant: **Regent Aubin**, Candiac (CA)

(72) Inventor: **Regent Aubin**, Candiac (CA)

(**) Term: **15 Years**

(21) Appl. No.: **29/722,763**

(22) Filed: **Jan. 31, 2020**

(51) **LOC (13) Cl.** **09-01**

(52) **U.S. Cl.**

USPC **D9/528**; D9/527

(58) **Field of Classification Search**

USPC D9/440, 443, 447, 516, 520, 523-528,
D9/530-543, 550, 551, 552, 554, 556,
D9/558, 563, 428, 573-575, 564, 522,
D9/529; D7/396.2, 507, 509, 510, 511,
D7/532, 533, 608, 631-634; D3/202, 23;
D6/518, 523, 734; D23/211.1, 211.2

CPC B65D 1/0223; B65D 2543/00296; B65D
2543/00092; B65D 2543/00537; B65D
2501/0081; B65D 23/10; B65D 23/102;
B65D 1/85; B65D 1/44; A47J 43/27

See application file for complete search history.

(56) **References Cited**

U.S. PATENT DOCUMENTS

D282,244 S *	1/1986	Santoiemmo	D9/520
D288,334 S *	2/1987	Simons	D9/526
D296,668 S *	7/1988	Stavish	D9/523
D297,212 S *	8/1988	Stavish	D9/520
D331,516 S *	12/1992	Waring	D9/520
D360,943 S *	8/1995	Lafond	D9/527
D363,019 S *	10/1995	Arnold	D9/524
D363,430 S *	10/1995	Danowski	D9/520
D365,521 S *	12/1995	Bevan	D9/527
D366,419 S *	1/1996	Hestehave	D9/520
D367,325 S *	2/1996	Duggan	D9/520

D370,379 S *	6/1996	Klein	D9/527
D428,341 S *	7/2000	Boutin	D9/520
D452,956 S *	1/2002	Hari	D9/527
D466,413 S *	12/2002	Justice	D9/531
D485,189 S *	1/2004	Montalbano	D9/528
D498,420 S *	11/2004	Cadotte	D9/524
D528,425 S *	9/2006	Van Dorin	D9/524
D569,476 S *	5/2008	Munlin	D23/211.1
D573,885 S *	7/2008	Considine	B65D 25/2897 D9/528

D589,352 S *	3/2009	Voss	D9/533
D589,807 S *	4/2009	Gundrum	D23/211.1

(Continued)

Primary Examiner — Brett Miller

Assistant Examiner — Rani J Abdallah

(74) *Attorney, Agent, or Firm* — Benoit & Cote, Inc.; C. Marc Benoit

(57) **CLAIM**

I claim the ornamental design for a stackable container with eccentric neck, as shown and described.

DESCRIPTION

FIG. 1 is a perspective view from the front of the stackable container with eccentric neck;

FIG. 2 is a front elevation view of the stackable container with eccentric neck of FIG. 1;

FIG. 3 is a rear elevation view of the stackable container with eccentric neck of FIG. 1;

FIG. 4 is a right-side elevation view of the stackable container with eccentric neck of FIG. 1;

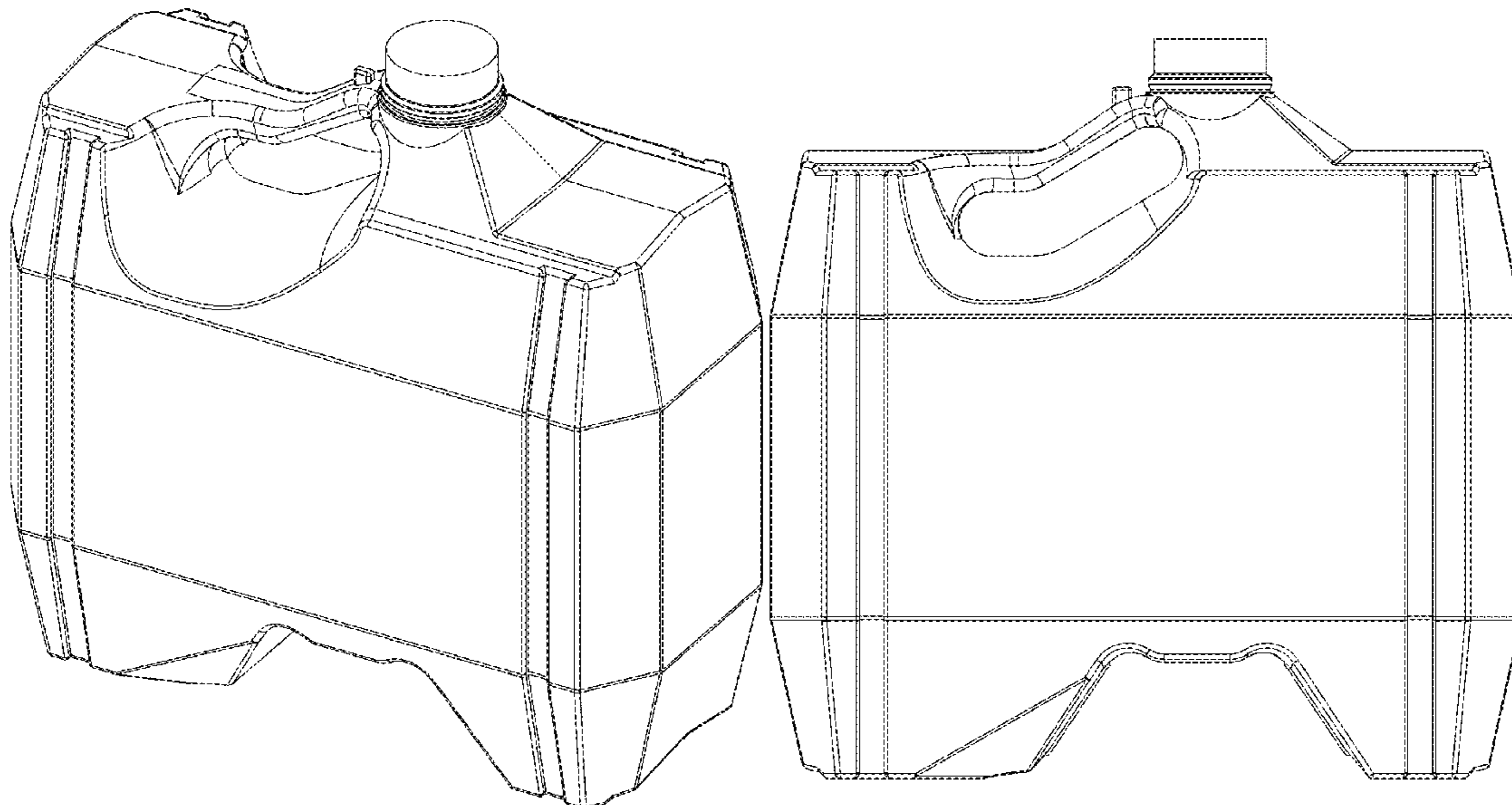
FIG. 5 is a left-side elevation view of the stackable container with eccentric neck of FIG. 1;

FIG. 6 is a top plan view of the stackable container with eccentric neck of FIG. 1; and,

FIG. 7 is a bottom plan view of the stackable container with eccentric neck of FIG. 1.

The portions shown in broken lines are for illustrative purposes only and form no part of the design.

1 Claim, 7 Drawing Sheets



(56)

References Cited

U.S. PATENT DOCUMENTS

D589,808 S * 4/2009 Gundrum D23/211.1
D589,809 S * 4/2009 Gundrum D23/211.1
D609,102 S * 2/2010 Matlin D9/531
D660,163 S * 5/2012 Miller D9/528
D668,546 S * 10/2012 Maas D9/528
D678,773 S * 3/2013 DiBiasio D9/528
D687,712 S * 8/2013 Juna D9/528
D687,921 S * 8/2013 Jung D23/211.1
D687,922 S * 8/2013 Jung D23/211.1
D692,304 S * 10/2013 Cota Castillo D9/523
2017/0334601 A1 * 11/2017 Nenna B65D 23/10

* cited by examiner

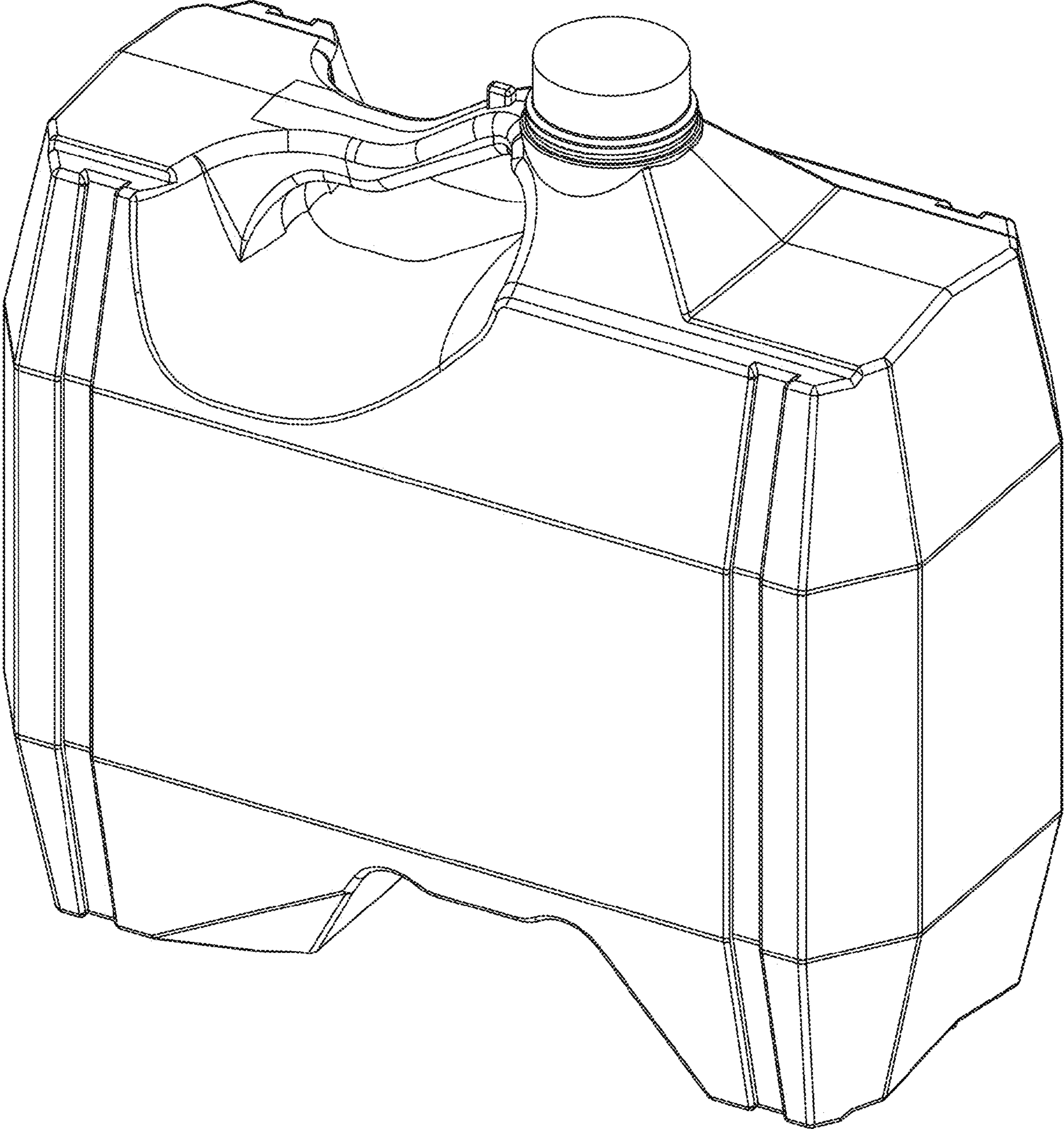


Fig. 1

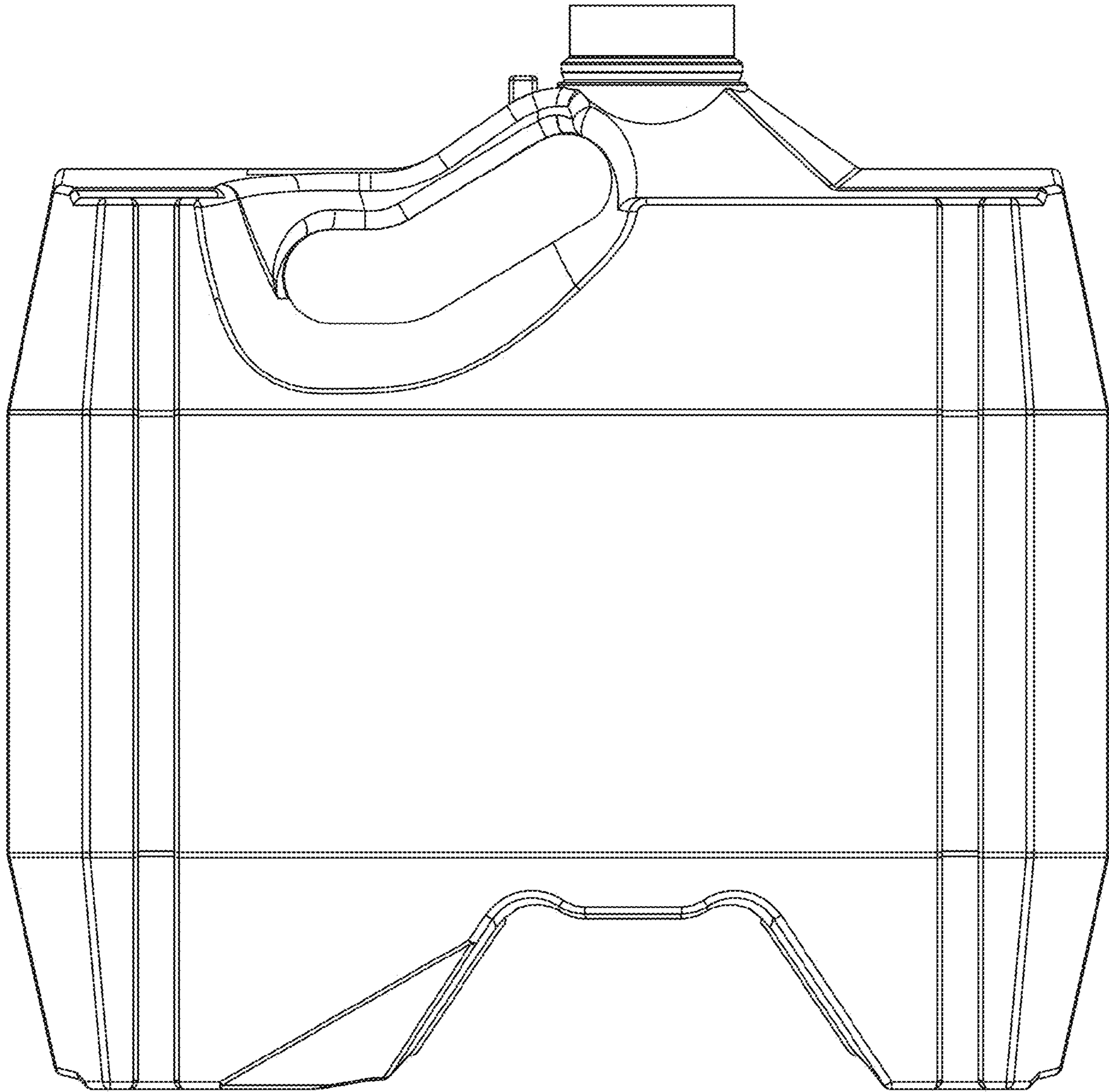


Fig. 2

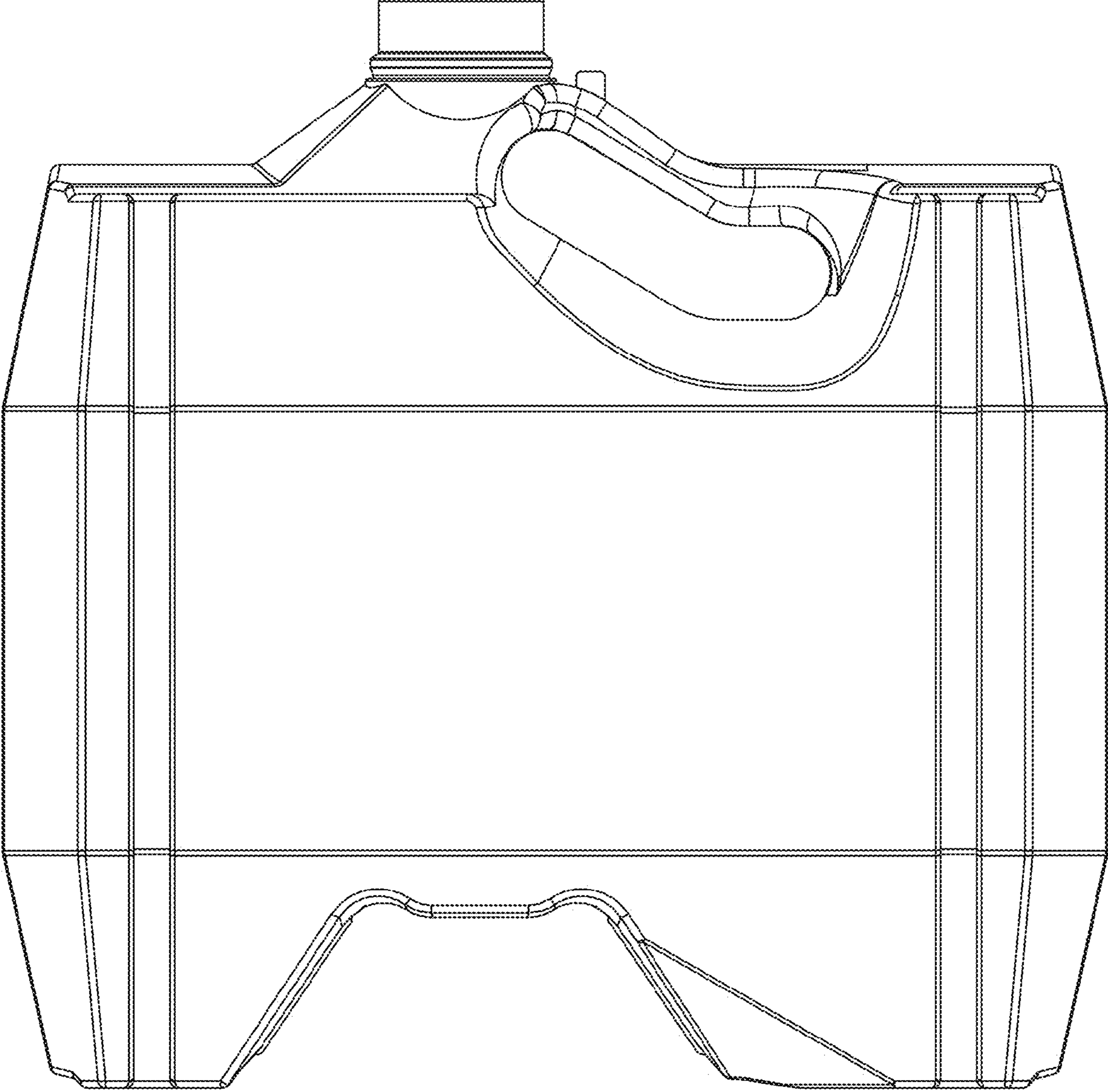


Fig. 3

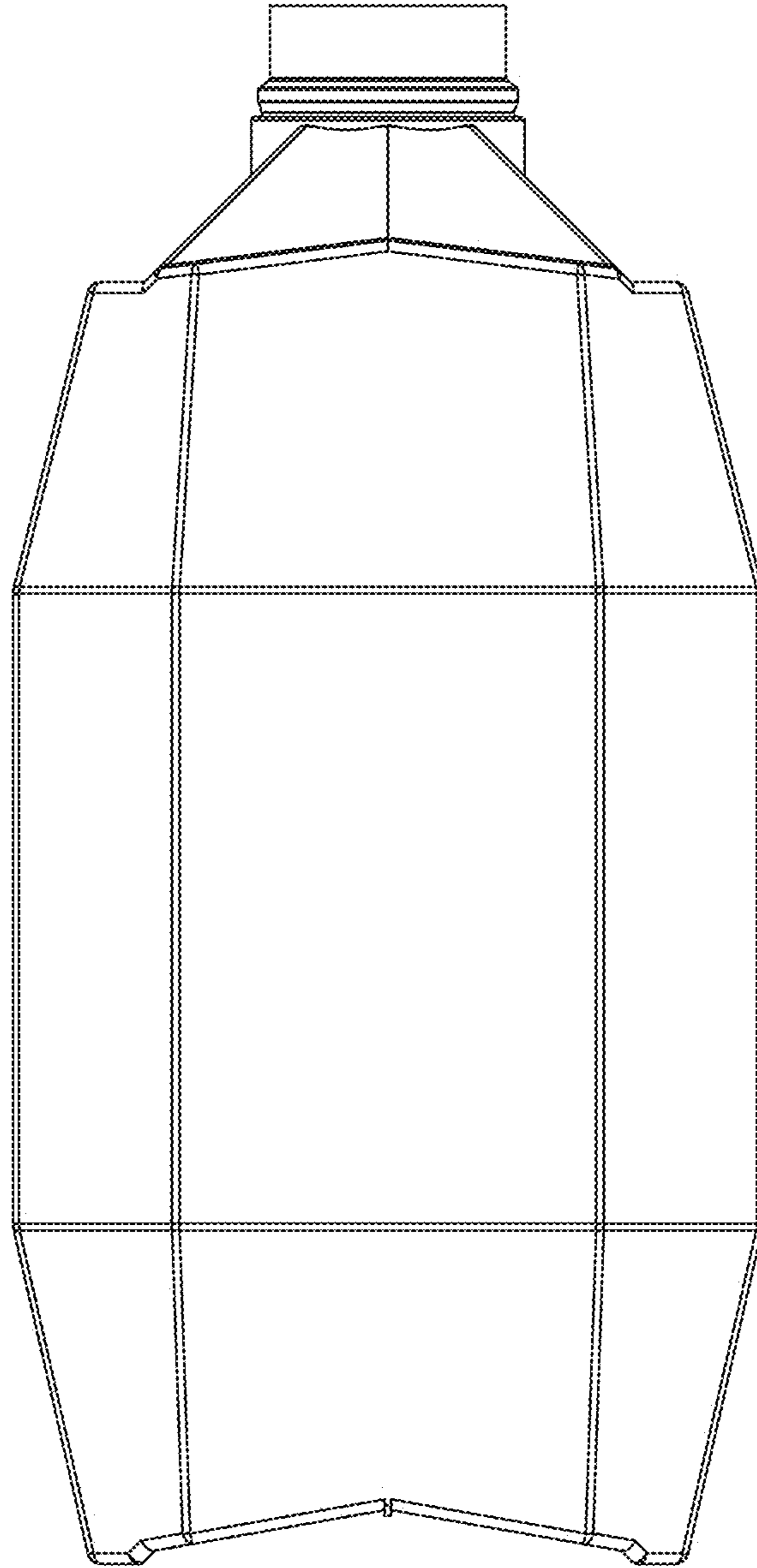


Fig. 4

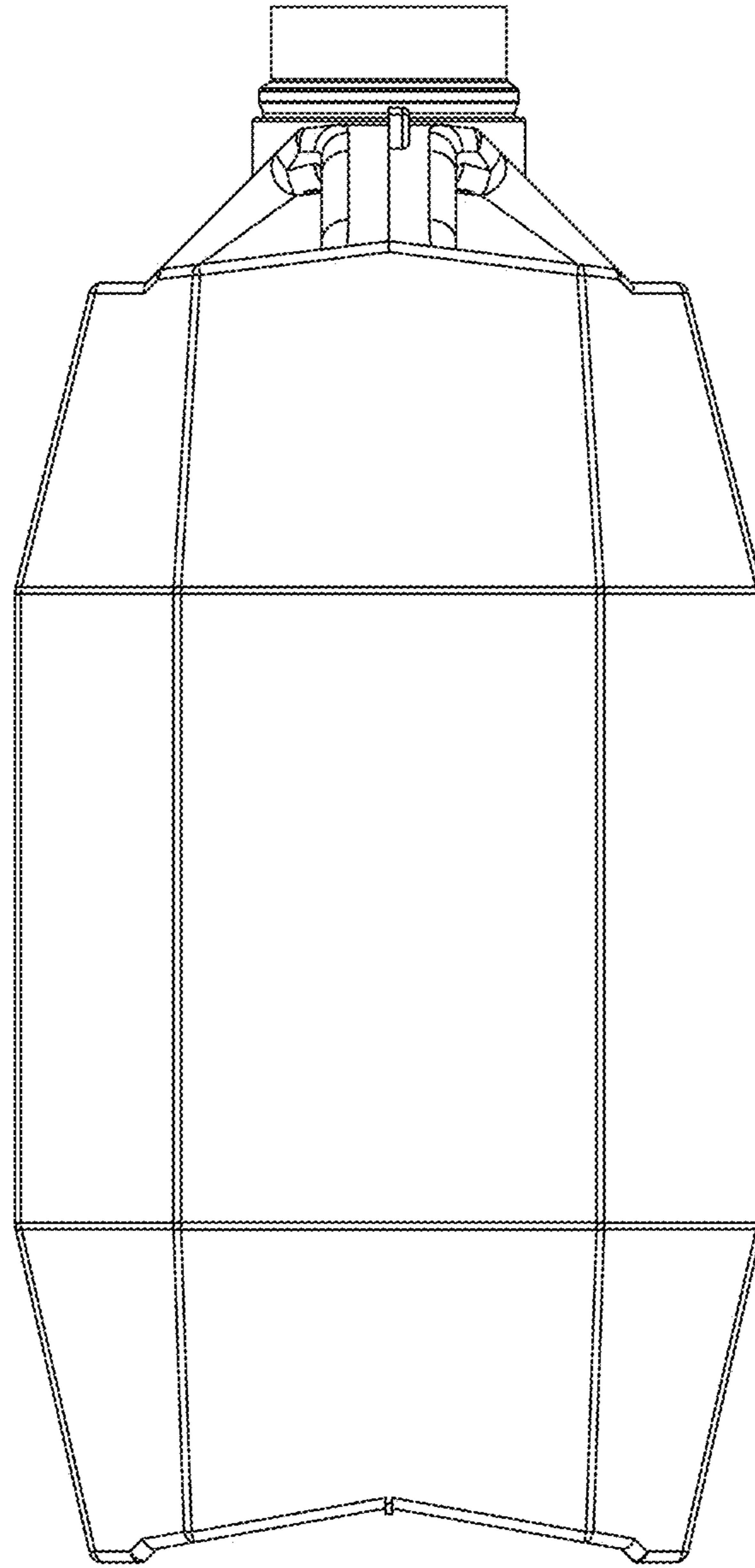


Fig. 5

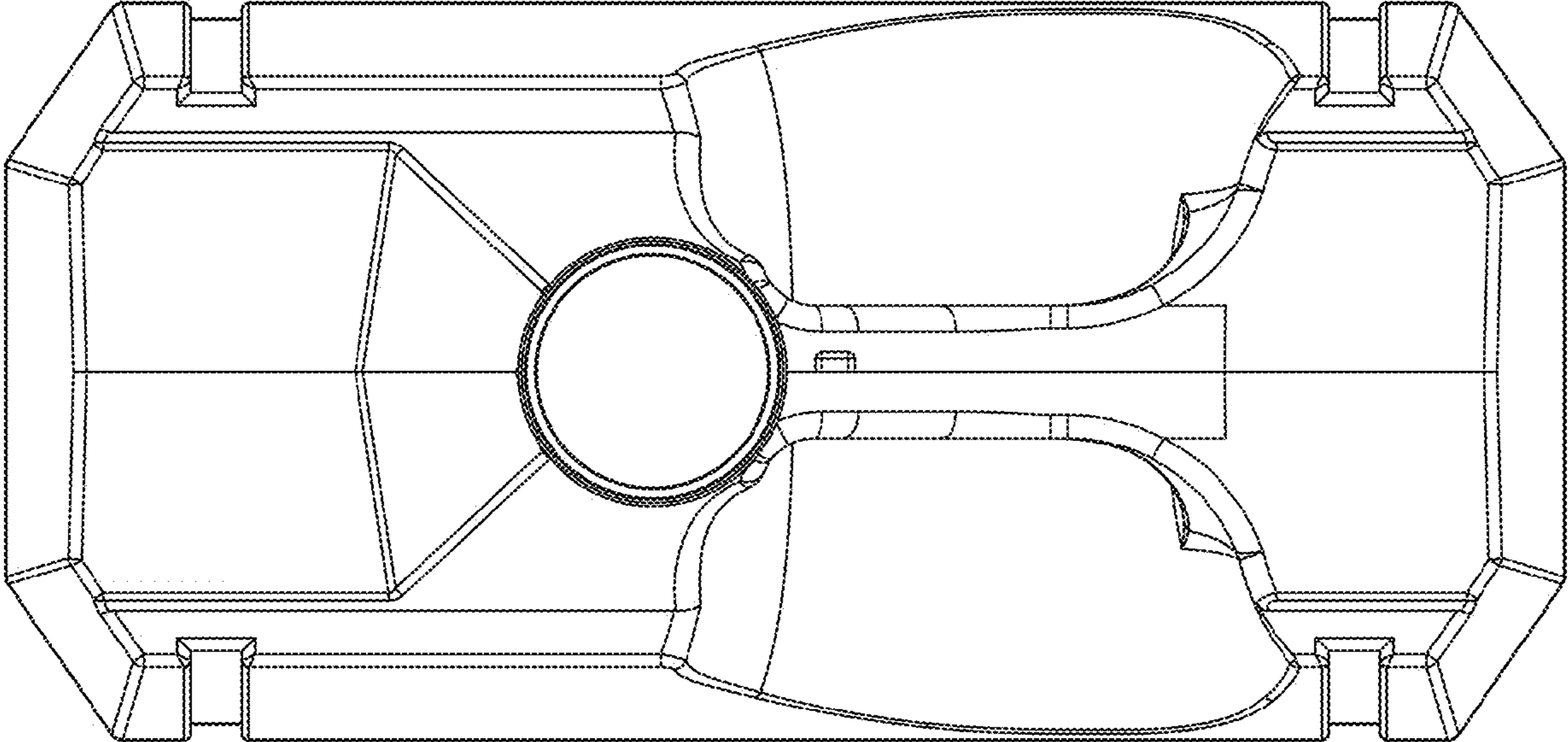


Fig. 6

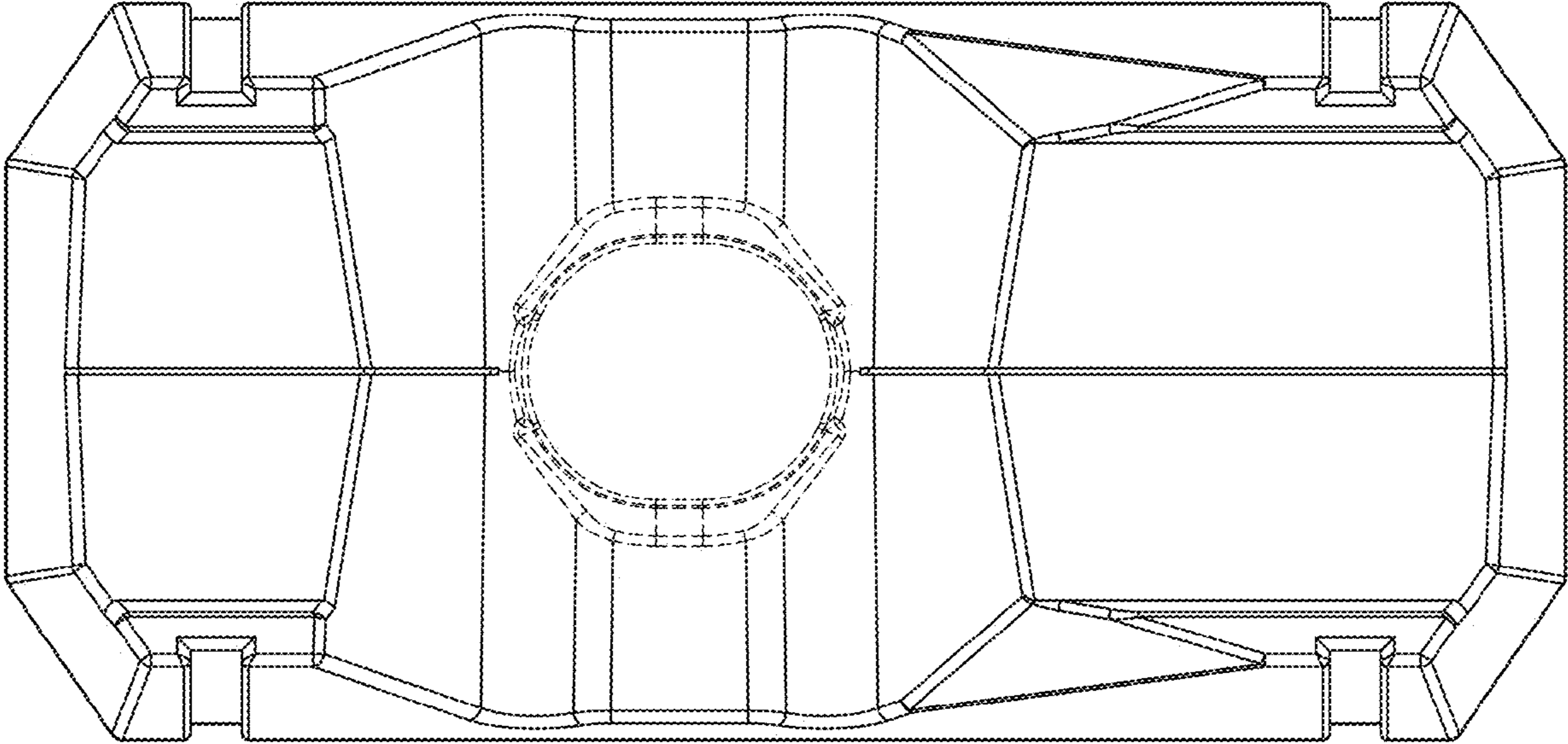


Fig. 7