



US00D927304S

(12) **United States Design Patent**
Lingle

(10) **Patent No.:** **US D927,304 S**

(45) **Date of Patent:** **** Aug. 10, 2021**

(54) **CONTAINER CLOSURE**

(71) Applicant: **Donny Lingle**, Manheim, PA (US)

(72) Inventor: **Donny Lingle**, Manheim, PA (US)

(**) Term: **15 Years**

(21) Appl. No.: **29/713,206**

(22) Filed: **Nov. 14, 2019**

(51) **LOC (13) Cl.** **09-07**

(52) **U.S. Cl.**

USPC **D9/454**

(58) **Field of Classification Search**

USPC D3/200, 201, 202, 203.1, 203.2, 318,
D3/320; D7/509, 510, 511, 601, 602,
D7/624.1, 387, 391, 392, 392.1, 396.1,
D7/396.2, 397, 398, 678, 679, 372;
D9/428, 434, 435, 436, 439, 440, 443,
D9/447, 449, 450, 454, 455; D23/259,
D23/260

CPC B65D 81/261; B65D 21/0217; B65D
21/0223; B65D 25/04; B65D 25/24;
B65D 43/0204; B65D 65/466; B65D
85/30; B65D 85/70; B65D 2543/00092;
B65D 2543/00296; B65D 2543/00361;
B65D 2543/00416; B65D 2543/00574;
B65D 47/122; B65D 47/066; B65D
1/0223; B65D 1/02; A47J 47/145; A47G
19/2211; A47G 19/2216; A47G 19/22;
A47G 2019/2238

See application file for complete search history.

(56) **References Cited**

U.S. PATENT DOCUMENTS

- D410,389 S * 6/1999 Niodospial, Jr. D24/224
- D484,644 S * 12/2003 Noh D28/76
- D485,017 S * 1/2004 Noh D28/76
- D620,358 S * 7/2010 Jewett D9/454
- D765,512 S * 9/2016 Joulia D9/504
- D784,812 S * 4/2017 Miller D9/454
- D785,453 S * 5/2017 Valero Bernabeu D9/439

- D822,282 S * 7/2018 Montoli A45D 33/006
D28/82
- D827,151 S * 8/2018 Nakagawa D24/224
- D836,389 S * 12/2018 Abante D7/392.1
- D860,716 S * 9/2019 Abante D7/392.1
- D871,133 S * 12/2019 Bullock D7/392.1
- D885,824 S * 6/2020 Neputy D7/392.1

(Continued)

FOREIGN PATENT DOCUMENTS

- CN 302552631 * 8/2013
- CN 303584167 * 2/2016

OTHER PUBLICATIONS

MiniMon Smart Bottle: Announced Oct. 31, 2017 [online]. Site Visited [Nov. 21, 2020]. Available from Internet URL: <https://www.facebook.com/MinimonSmartBottle/>.*

Primary Examiner — Catherine S Posthauer
(74) *Attorney, Agent, or Firm* — Barley Snyder

(57) **CLAIM**

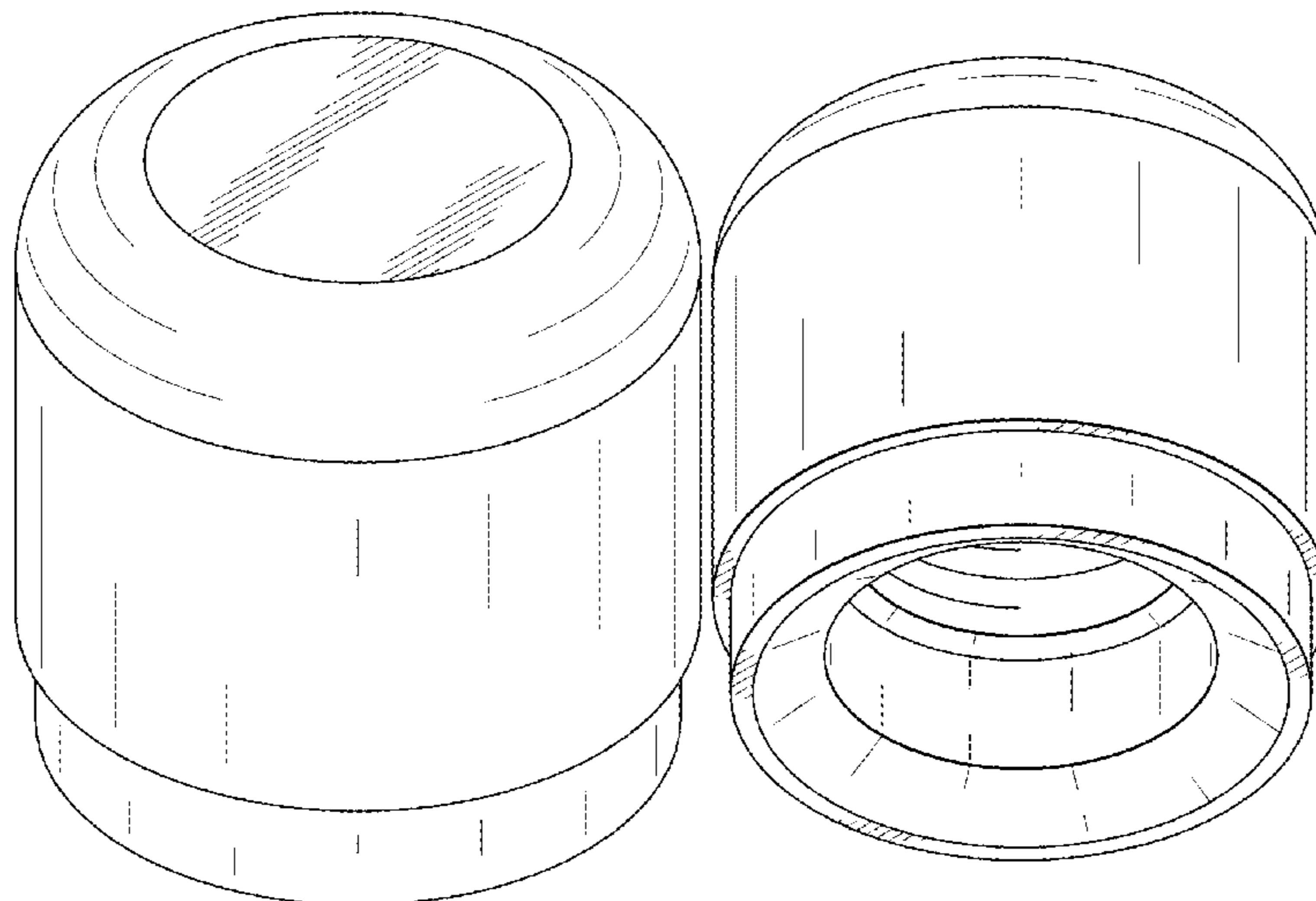
The ornamental design for a container closure, as shown and described.

DESCRIPTION

FIG. 1 is a front, right, top perspective view of a container closure, showing the new design;
FIG. 2 is a top plan view thereof;
FIG. 3 is a front elevation view thereof, with the left side, right side, and back elevation views being identical;
FIG. 4 is a bottom plan view thereof;
FIG. 5 a bottom, right, front perspective view thereof;
FIG. 6 another bottom, right, front perspective view thereof;
and,
FIG. 7 is a cross sectional view thereof, taken in the direction of line 7-7 on FIG. 3.

The broken lines shown in the Figures are included to show unclaimed subject matter only and form no part of the claimed design.

1 Claim, 4 Drawing Sheets



(56)

References Cited

U.S. PATENT DOCUMENTS

D894,738 S * 9/2020 Hexemer D9/456
2017/0303661 A1 * 10/2017 Salciarini B65D 43/0231
2018/0132592 A1 * 5/2018 Chung A45D 40/22

* cited by examiner

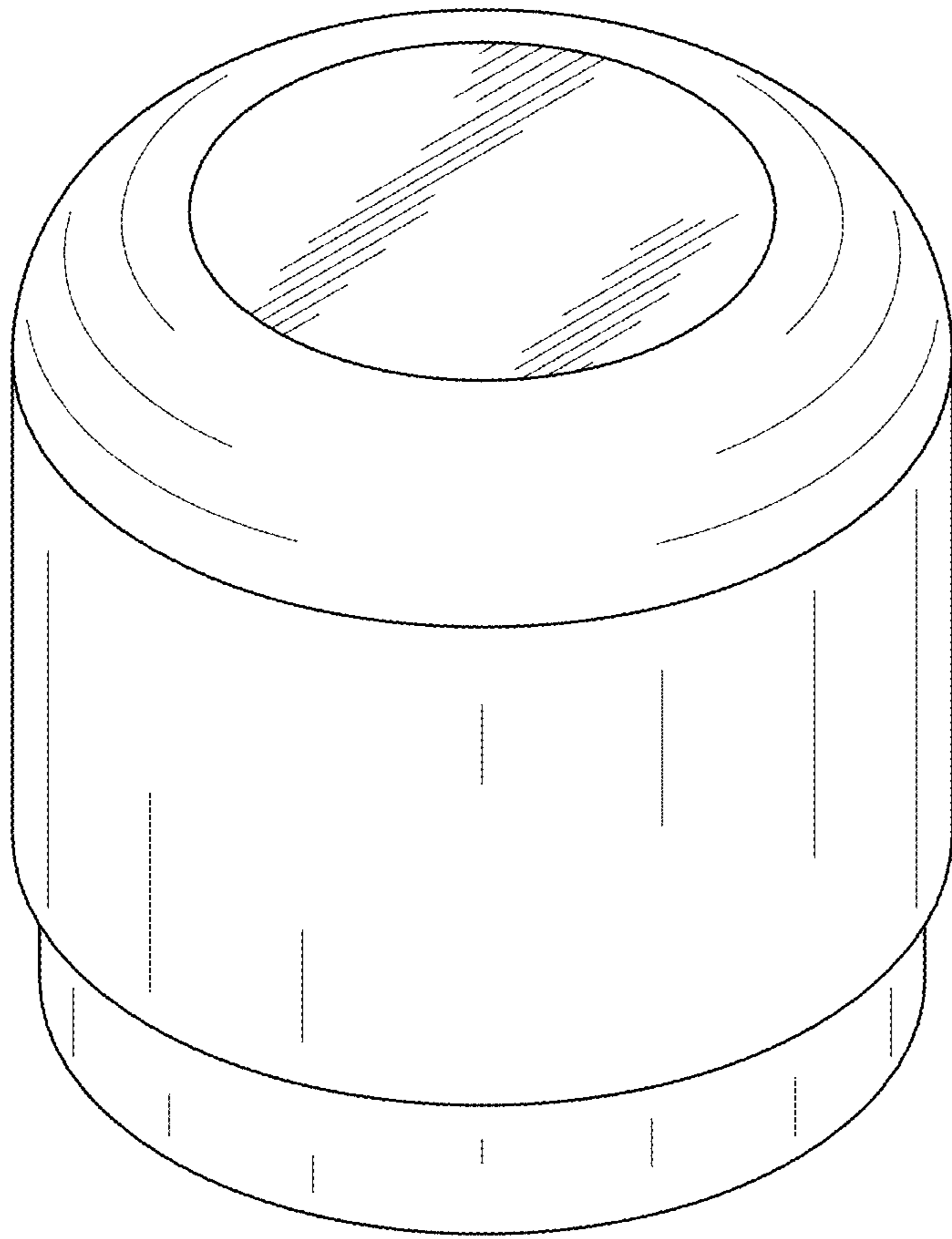


FIG. 1

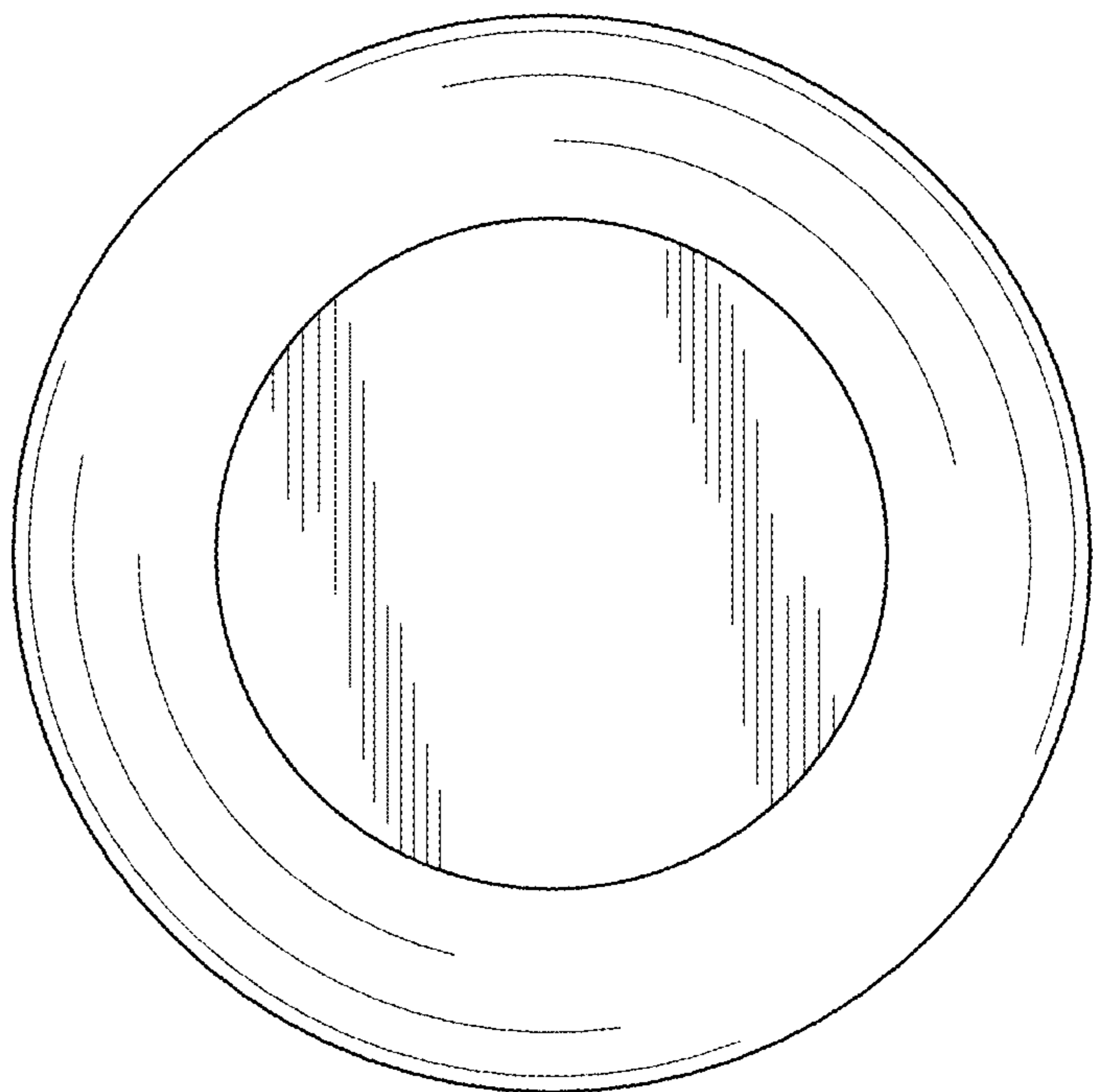


FIG. 2

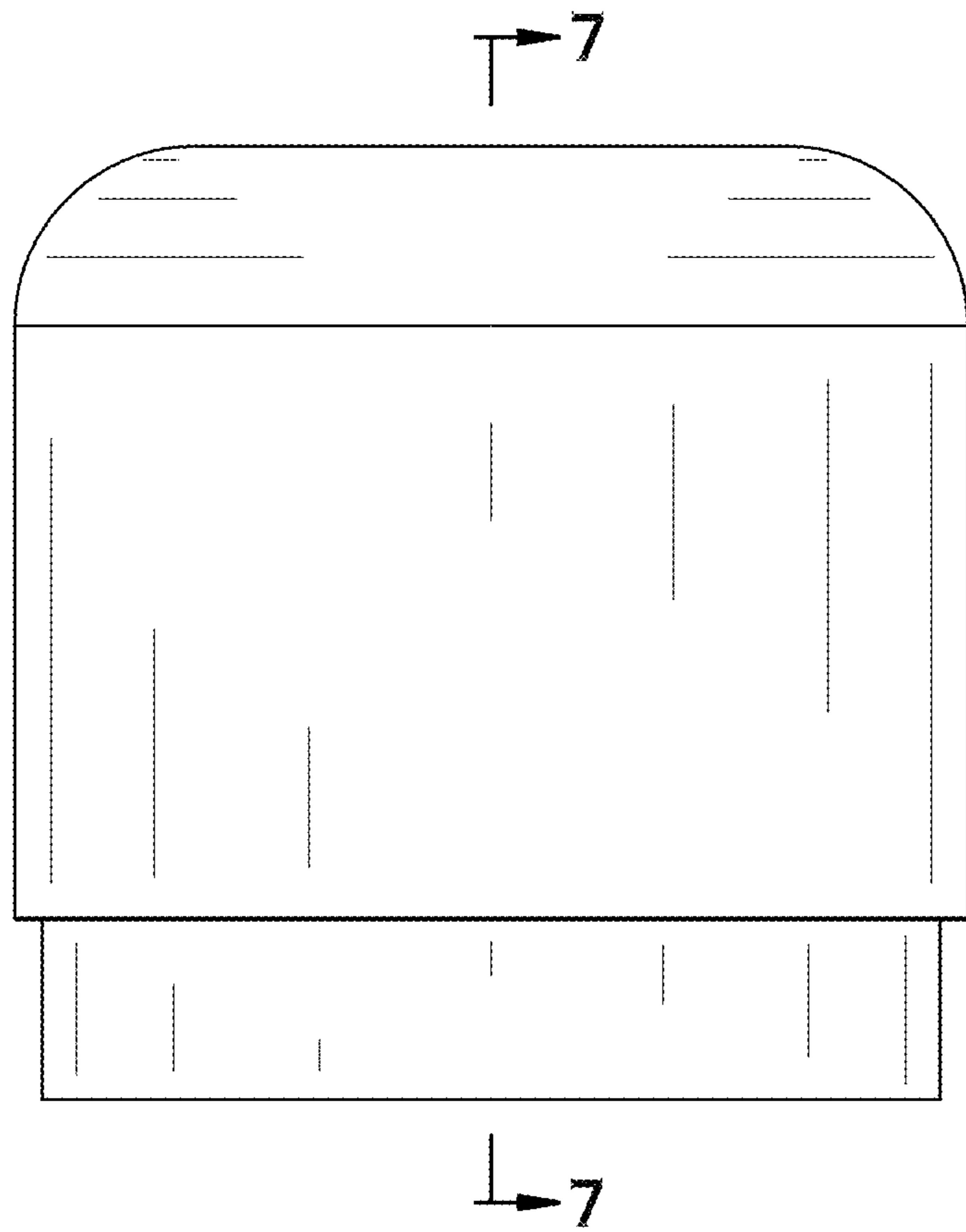


FIG. 3

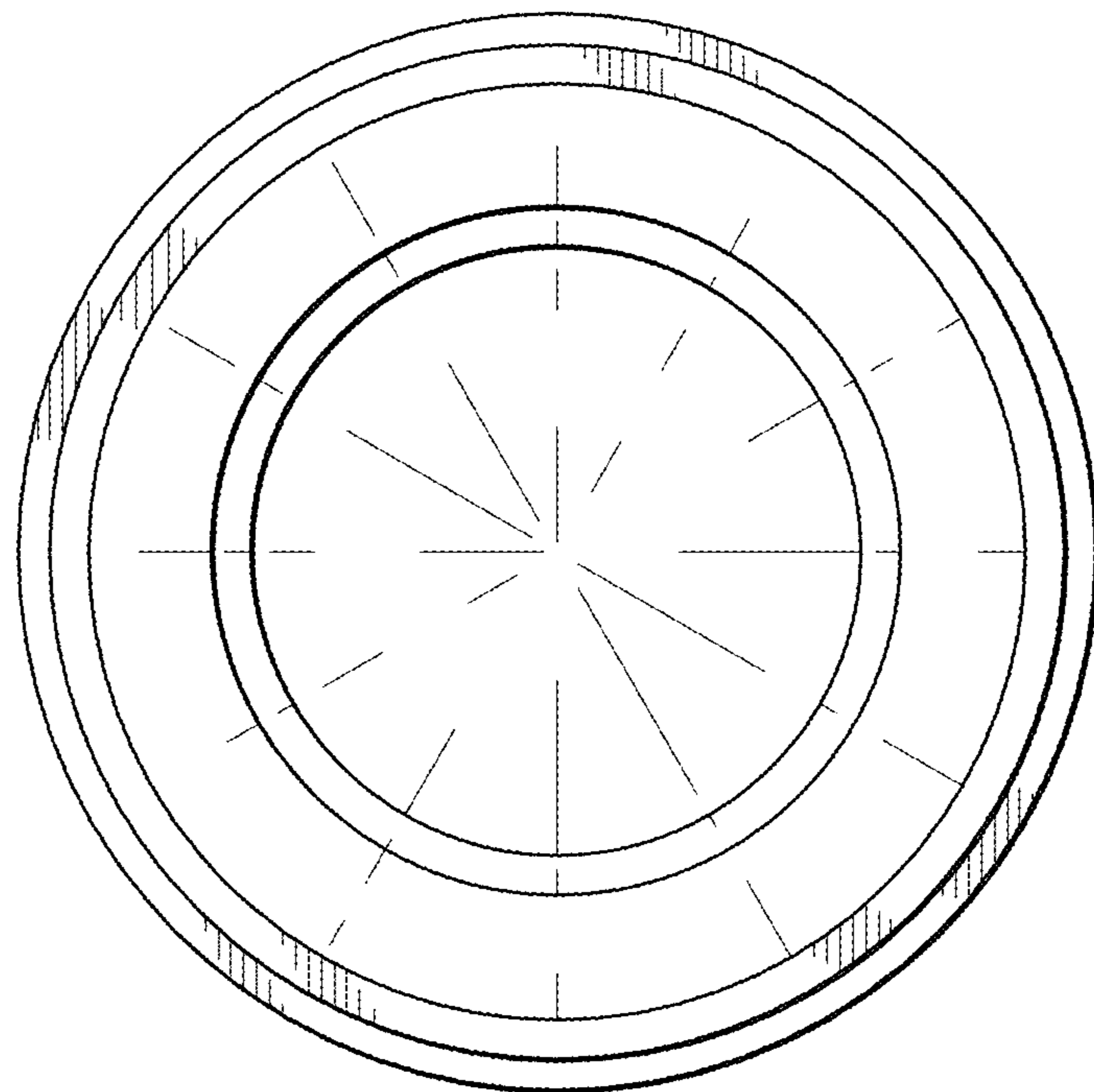


FIG. 4

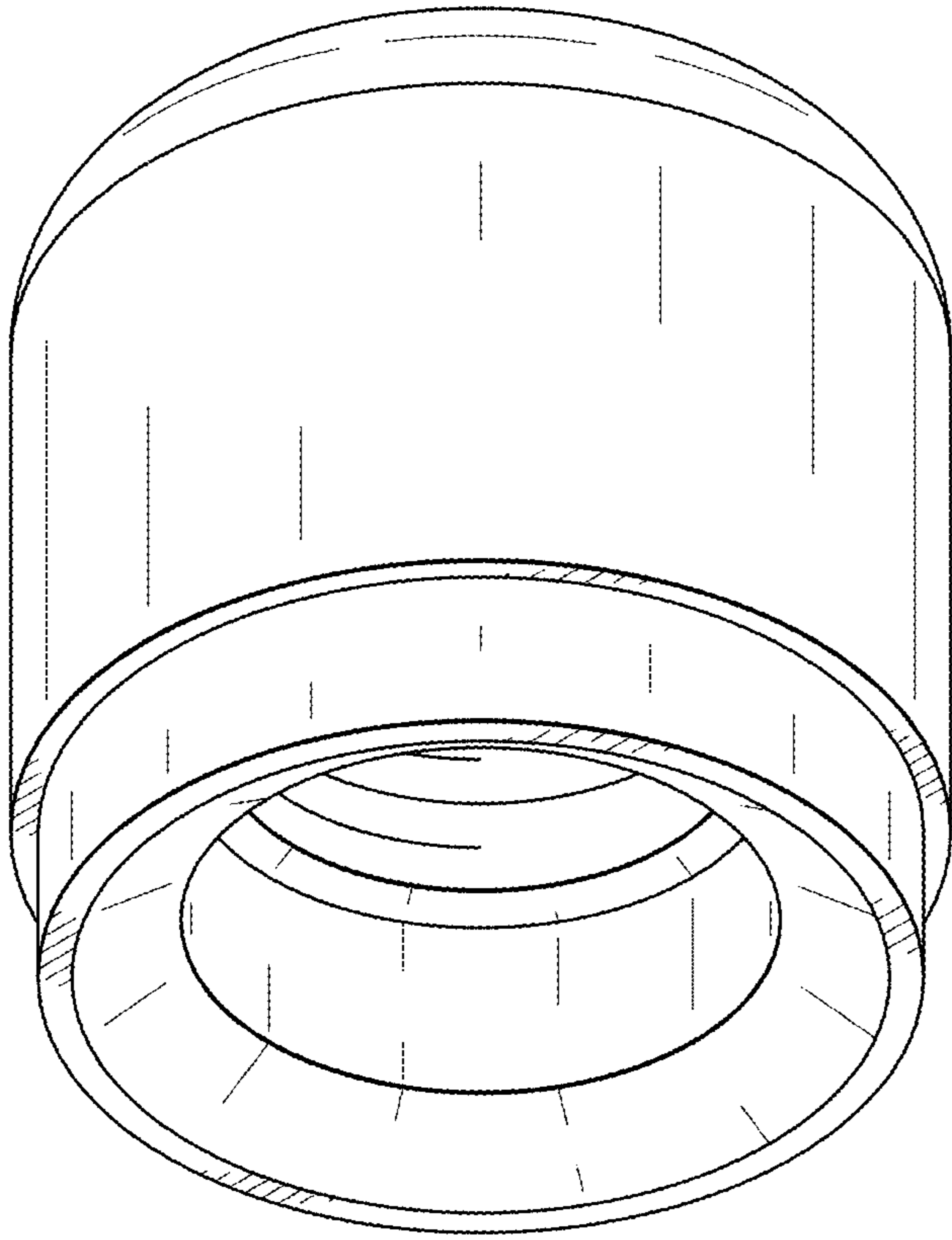


FIG. 5

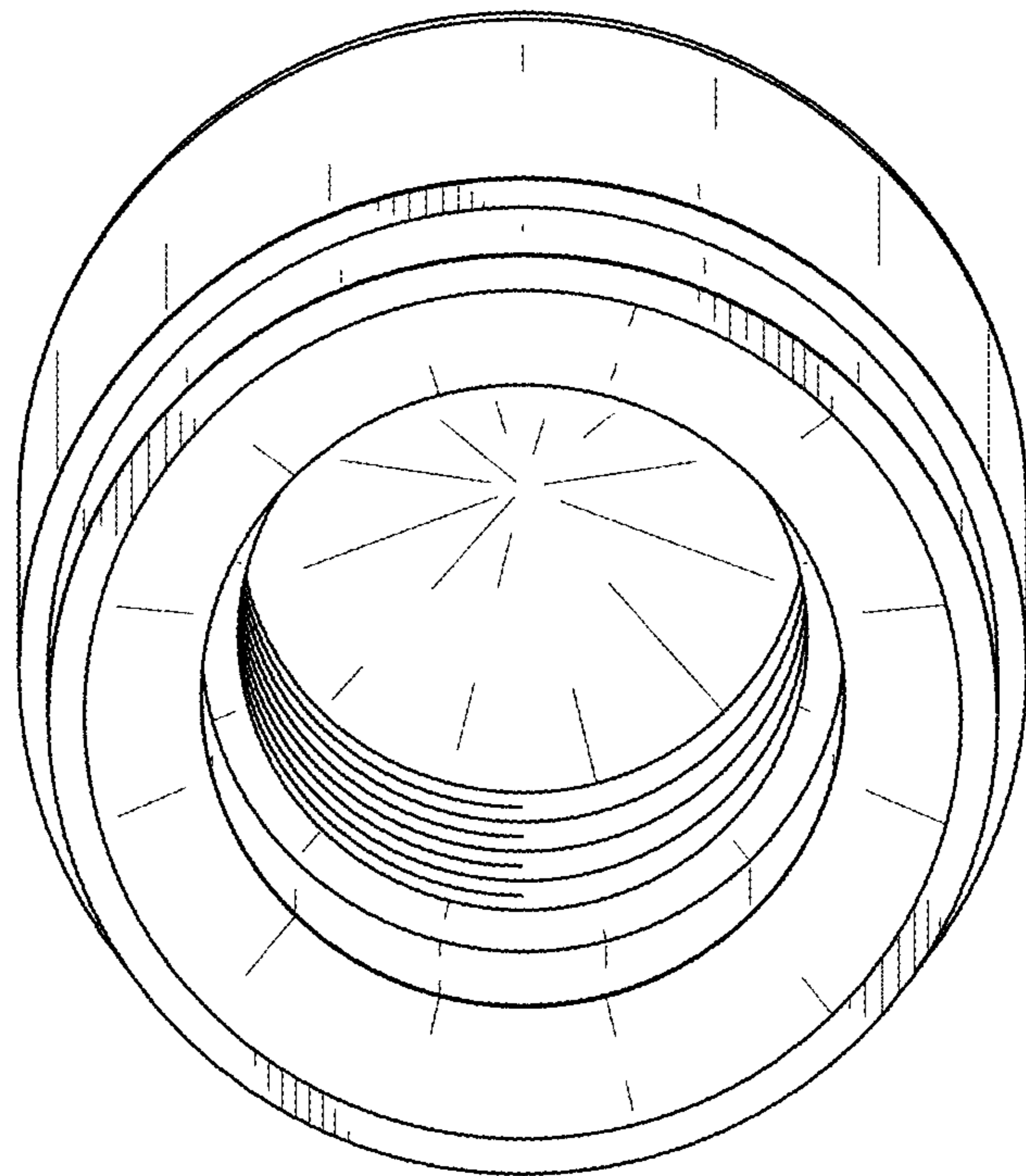


FIG. 6

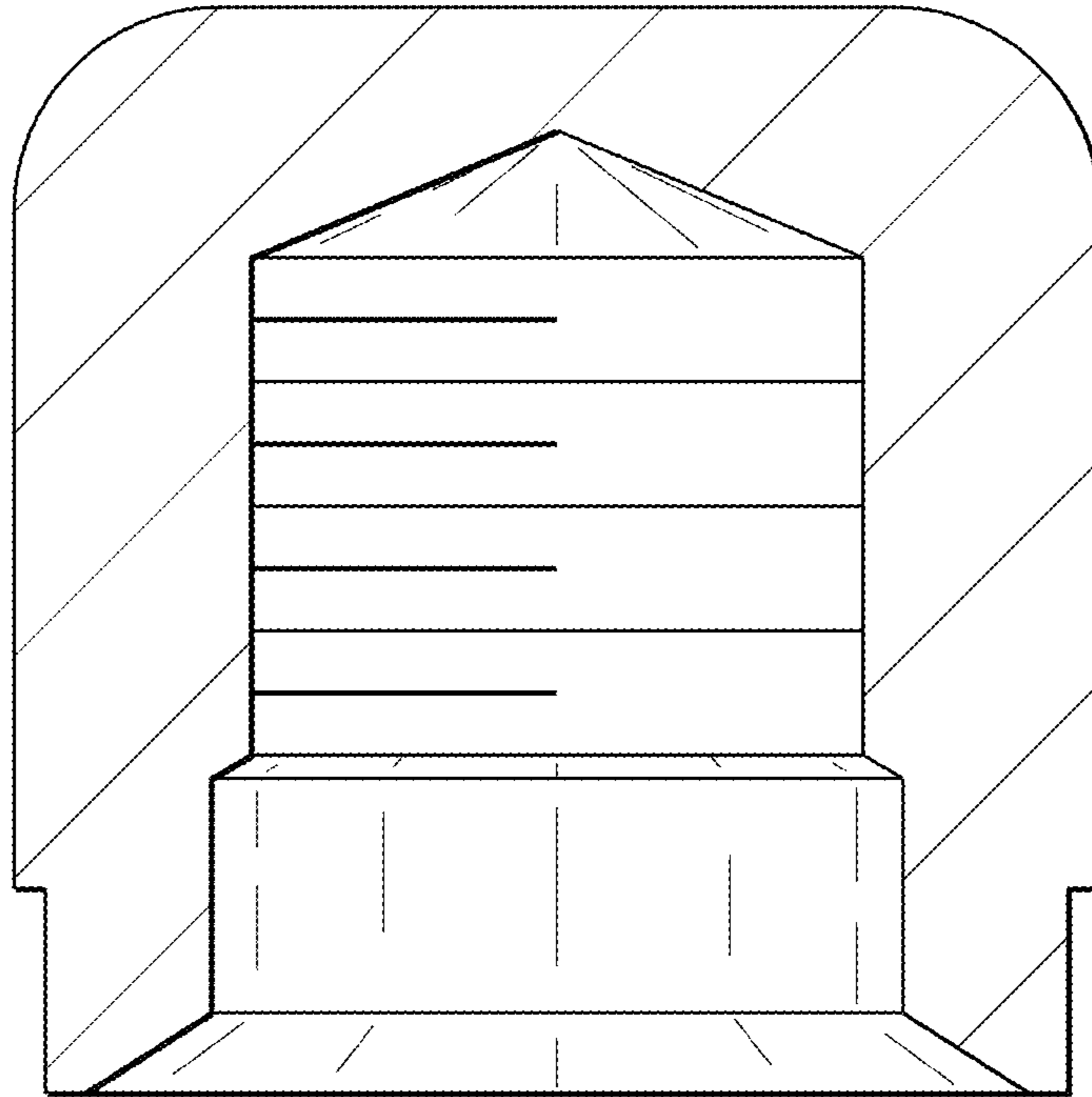


FIG. 7