



US00D927303S

(12) **United States Design Patent**
Howard et al.

(10) **Patent No.:** **US D927,303 S**

(45) **Date of Patent:** **** Aug. 10, 2021**

(54) **TWISTED PROBE CAP**

A47J 42/46; A47J 42/16; A47J 42/14;
A47J 42/34; A47J 42/40; A47J 42/25;
A47J 42/255

(71) Applicant: **Baker Hughes Oilfield Operations LLC**, Houston, TX (US)

See application file for complete search history.

(72) Inventors: **Brian Howard**, Reno, NV (US); **Jacob Reid**, Houston, TX (US); **David O'Connor**, Gardnerville, NV (US)

(56) **References Cited**

U.S. PATENT DOCUMENTS

(73) Assignee: **Baker Hughes Oilfield Operations LLC**, Houston, TX (US)

D220,169 S * 3/1971 Lundberg D9/449
6,253,938 B1 * 7/2001 Zaksenberg B65D 47/0866
215/237
D529,380 S * 10/2006 Yelland D9/447
D641,241 S * 7/2011 Goto D9/449
D816,499 S * 5/2018 Pellingra D9/449

(**) Term: **15 Years**

(Continued)

(21) Appl. No.: **29/705,055**

Primary Examiner — Catherine S Posthauer

(22) Filed: **Sep. 9, 2019**

(74) *Attorney, Agent, or Firm* — Mintz Levin Cohn Ferris Glovsky and Popeo, PC; Lisa Adams

(51) **LOC (13) Cl.** **09-07**

(52) **U.S. Cl.**
USPC **D9/449**

(57) **CLAIM**

The ornamental design for a twisted probe cap, as shown and described.

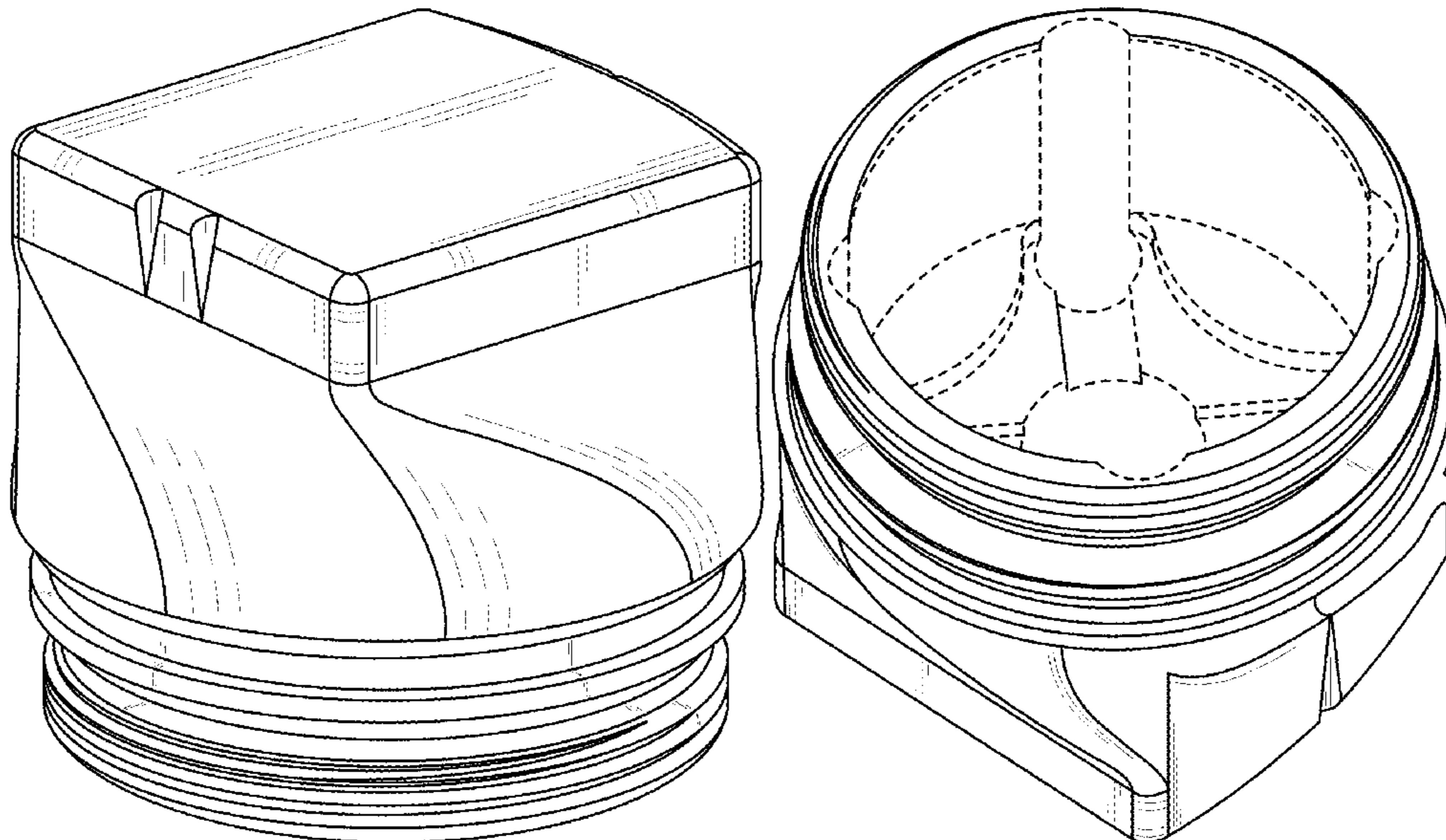
(58) **Field of Classification Search**

DESCRIPTION

USPC D3/202; D7/300, 300.1, 387, 391, 392, D7/392.1, 393, 394, 396.1, 396.2, 401.1, D7/509, 510, 511, 533, 536, 543, 589, D7/591, 601, 602, 619.1; D9/434, 435, D9/436, 438, 439, 440, 441, 443, 445, D9/447, 448, 449, 454, 516, 520, 530, D9/531, 686, 730, 733; D23/227, 249, D23/259, 260
CPC B65D 2251/1066; B65D 2251/1058; B65D 47/0819; B65D 1/00; B65D 1/02; B65D 1/0223; B65D 2203/00; B65D 2203/02; B65D 81/60; B65D 81/365; B65D 81/366; B65D 81/368; B65D 2539/008; B65D 39/0094; B65D 2543/00046; B65D 2543/00027; B65D 2543/00092; B65D 2543/00296; B65D 2543/00351; B65D 2543/00537; B65D 2543/00731; B65D 43/0212; B65D 43/0218; A01G 31/02; B02C 18/16; B02C 18/18; B02C 18/24; A47J 42/08; A47J 42/38; A47J 42/04;

FIG. 1 is a rear-facing, top perspective view of a twisted probe cap showing our design;
FIG. 2 is a front-facing, top perspective view of the twisted probe cap of FIG. 1;
FIG. 3 is a front-facing, bottom perspective view of the twisted probe cap of FIG. 1;
FIG. 4 is a top view of the twisted probe cap of FIG. 1;
FIG. 5 is a bottom view of the twisted probe cap of FIG. 1;
FIG. 6 is a front view of the twisted probe cap of FIG. 1;
FIG. 7 is a rear view of the twisted probe cap of FIG. 1;
FIG. 8 is a right view of the twisted probe cap of FIG. 1; and, FIG. 9 is a left view of the twisted probe cap of FIG. 1.
The broken lines represent both parts of the article as well as the boundaries of the claim. None of the broken lines form part of the claim.

1 Claim, 9 Drawing Sheets



(56)

References Cited

U.S. PATENT DOCUMENTS

D833,279 S * 11/2018 Mazurkiewicz D9/449
D892,542 S * 8/2020 Wang D7/392.1
2009/0302258 A1* 12/2009 Haines F16K 1/482
251/309

* cited by examiner

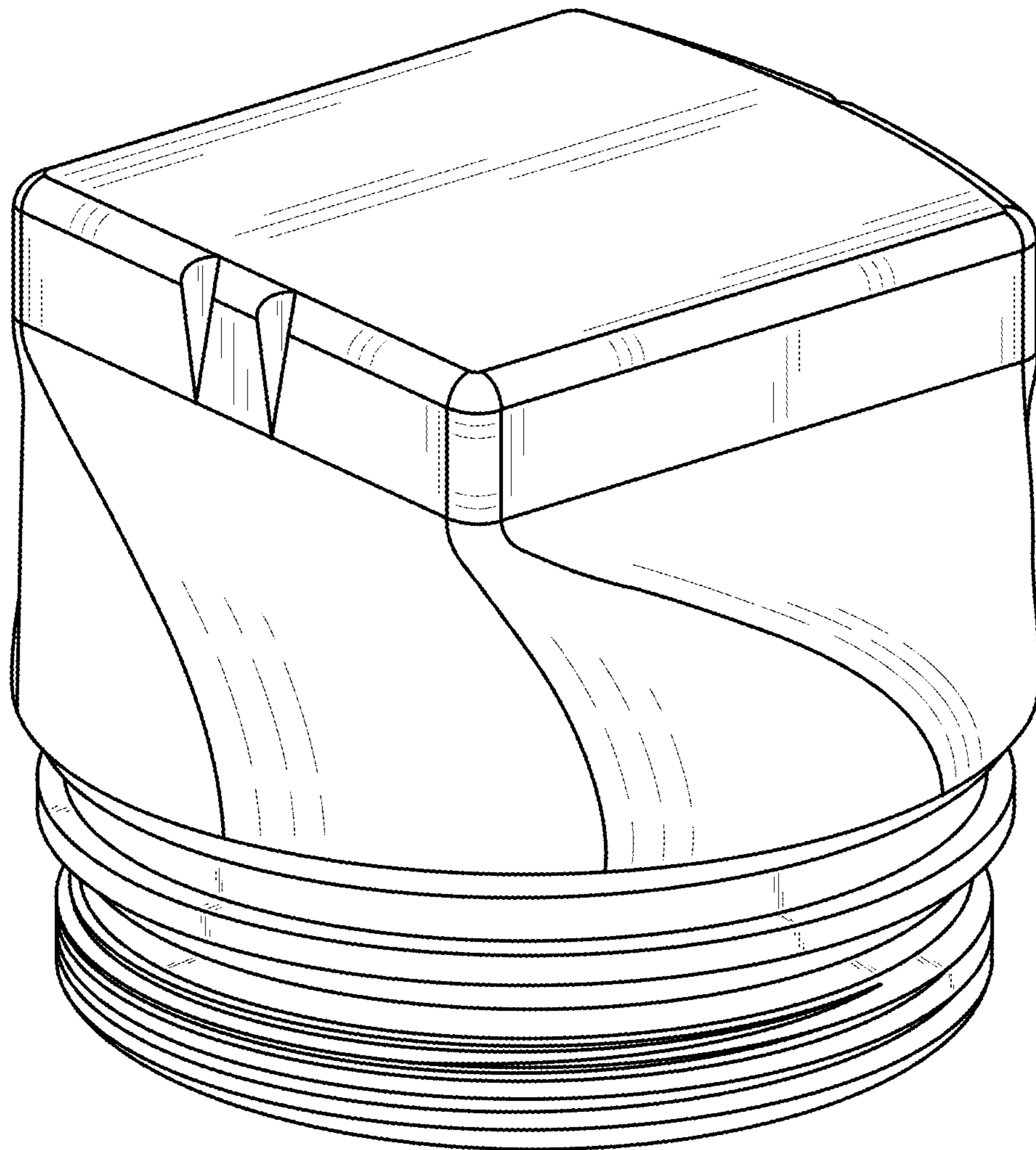


FIG. 1

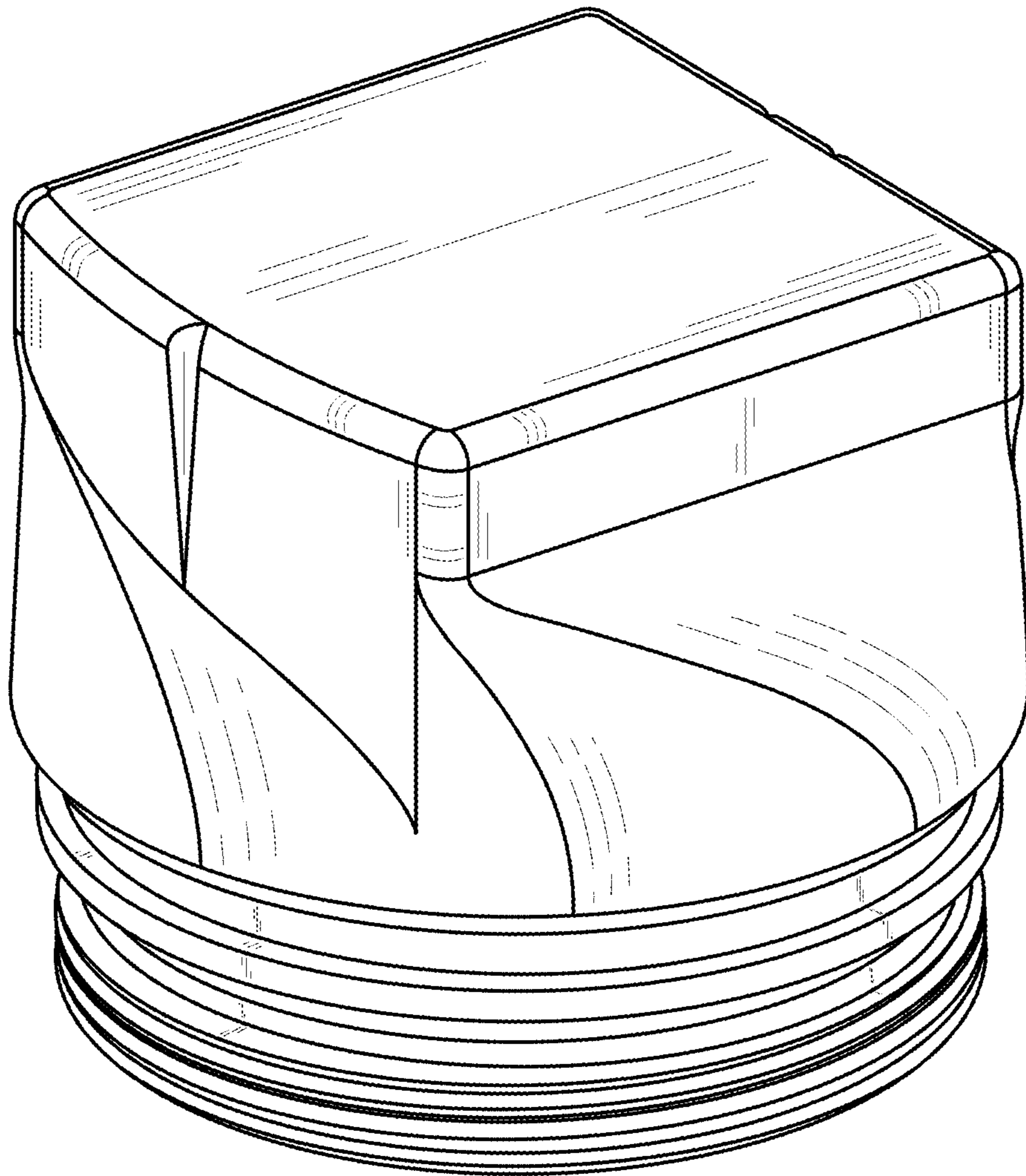


FIG. 2

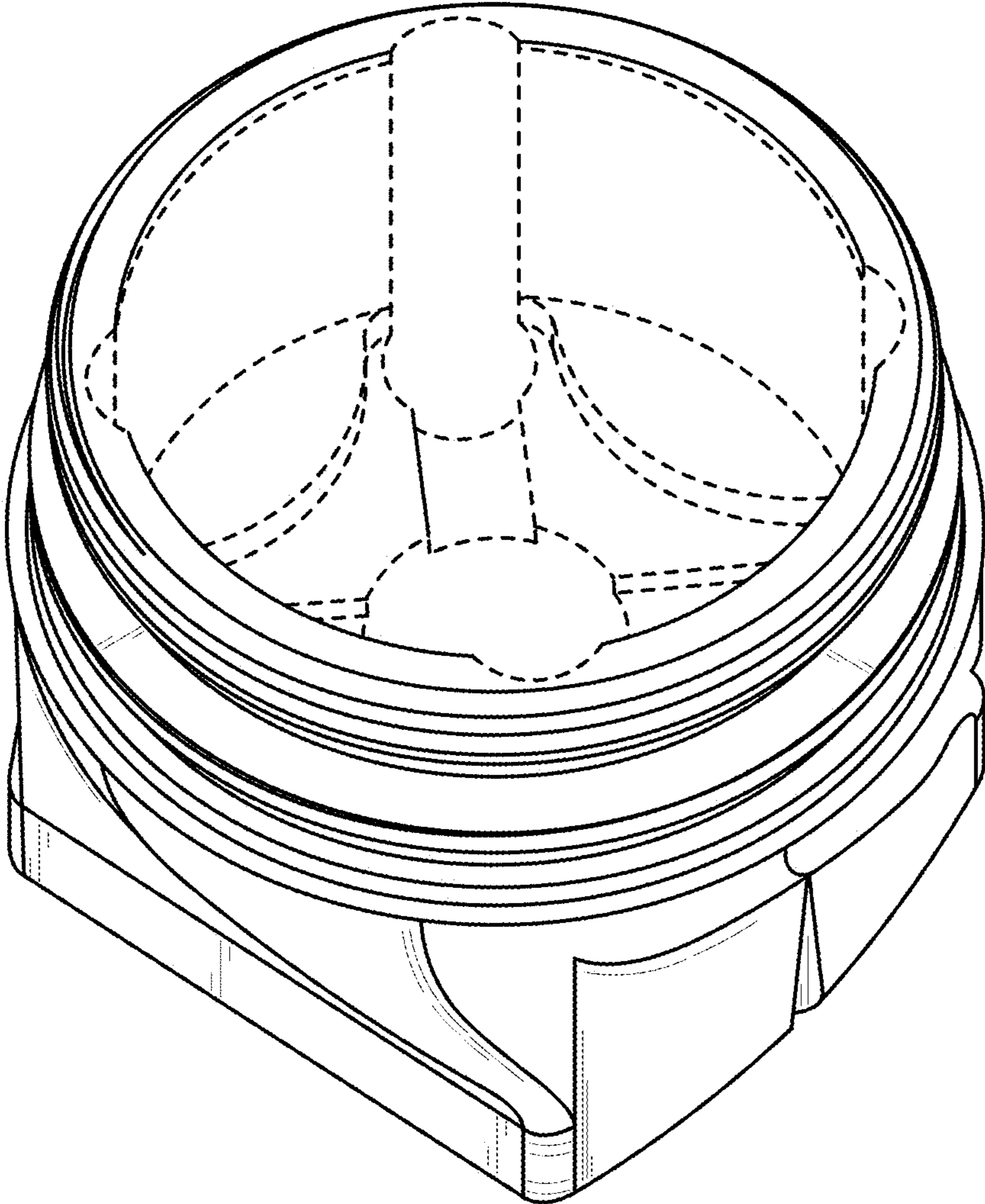


FIG. 3

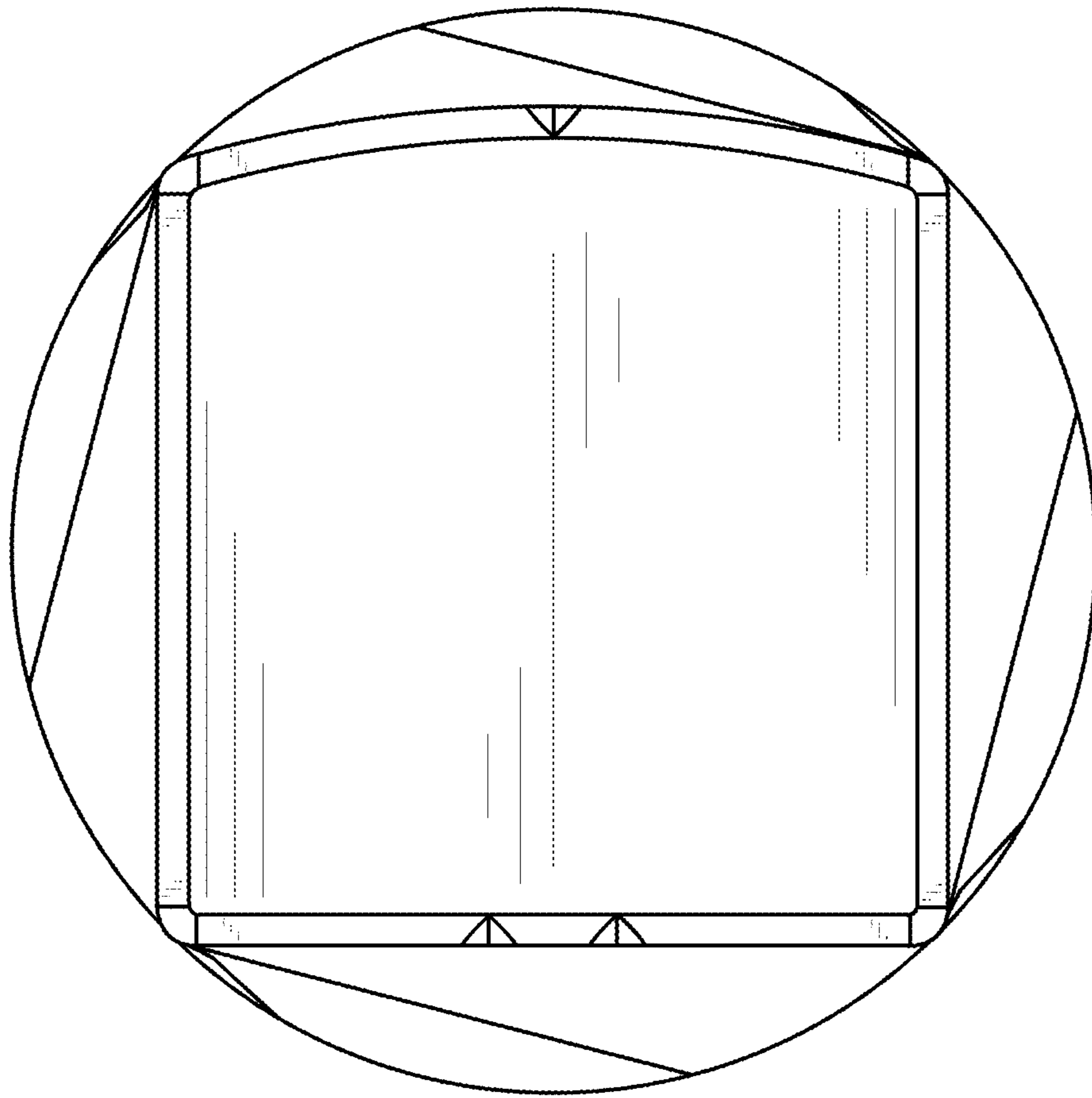


FIG. 4

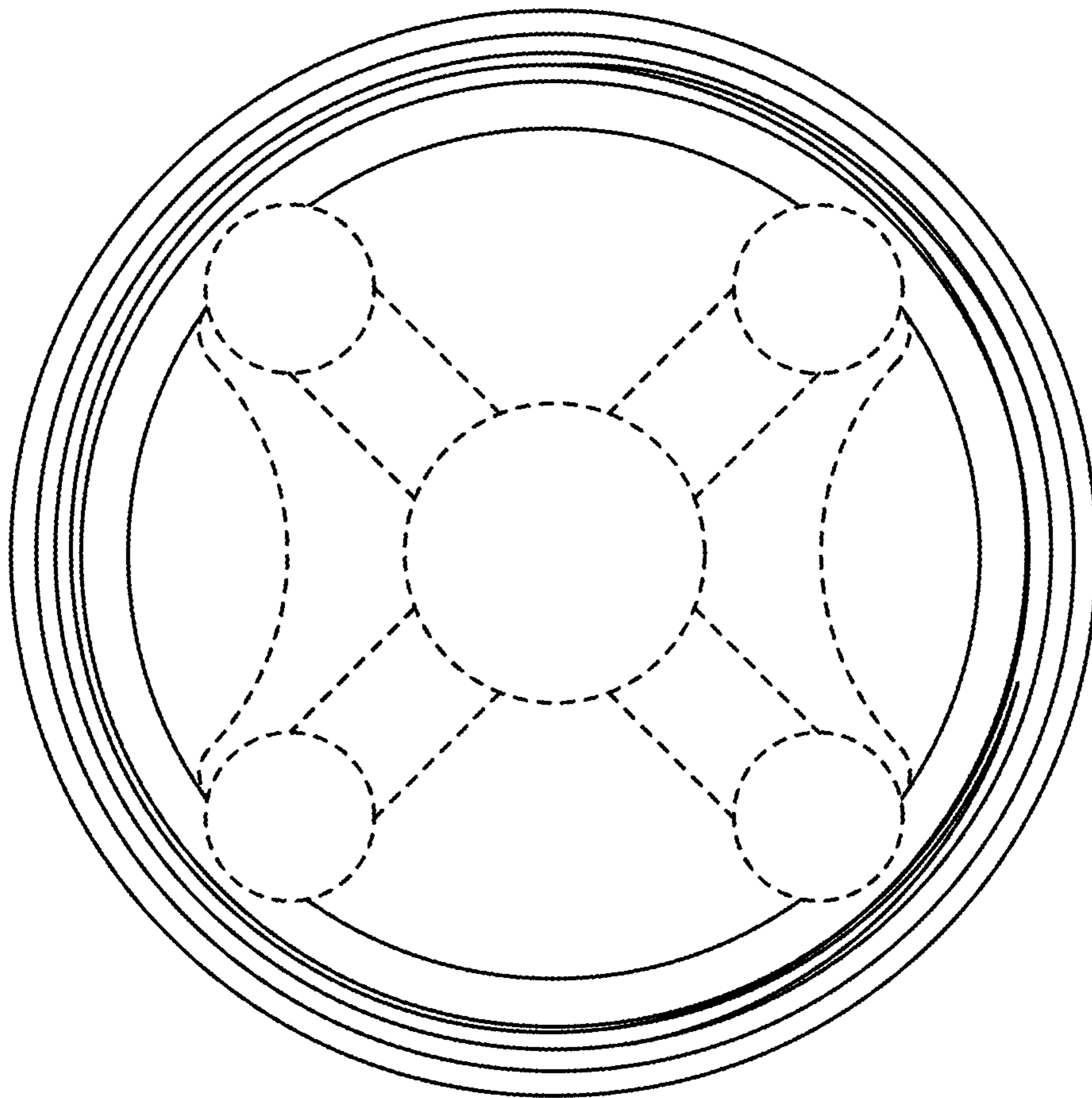


FIG. 5

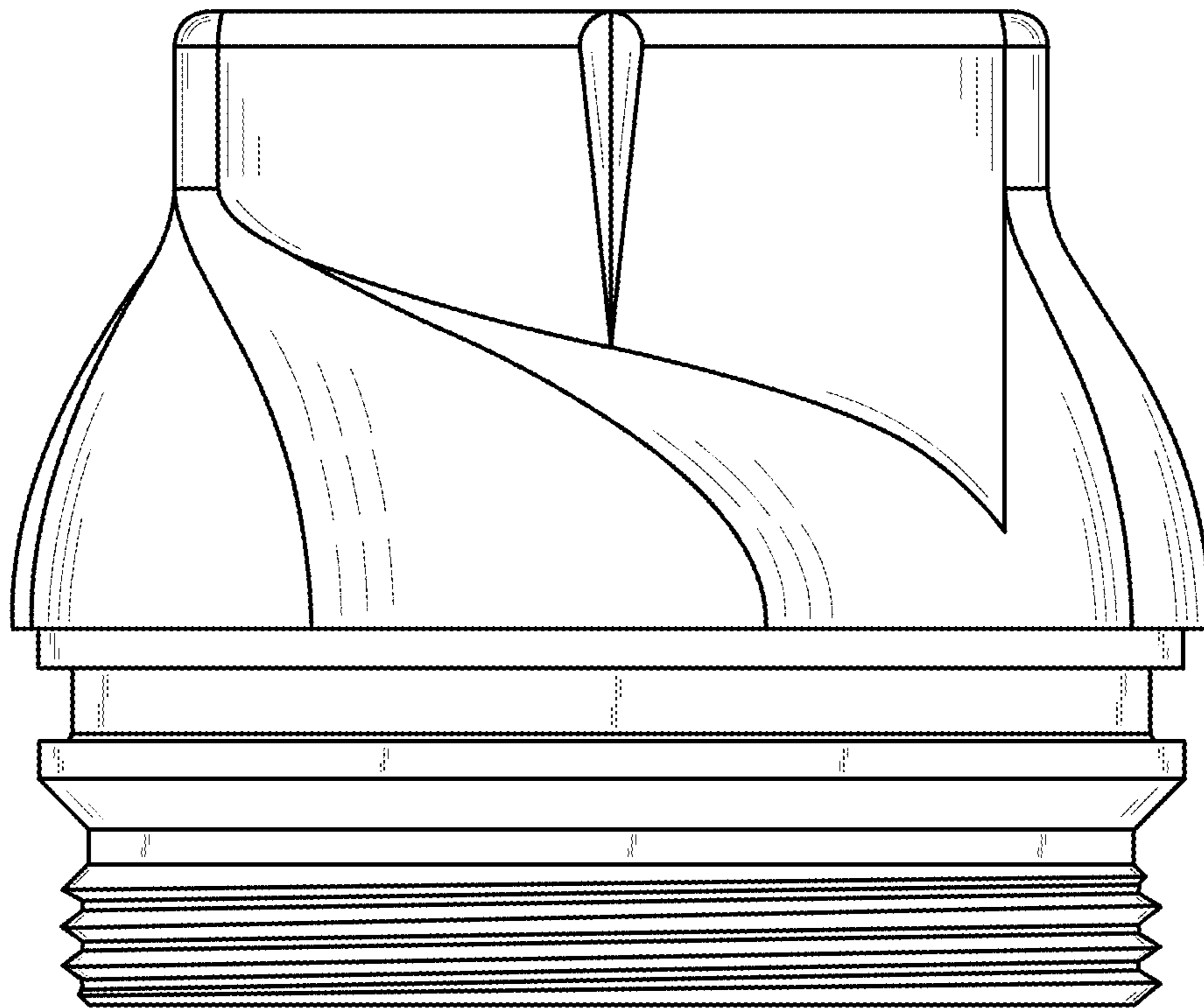


FIG. 6

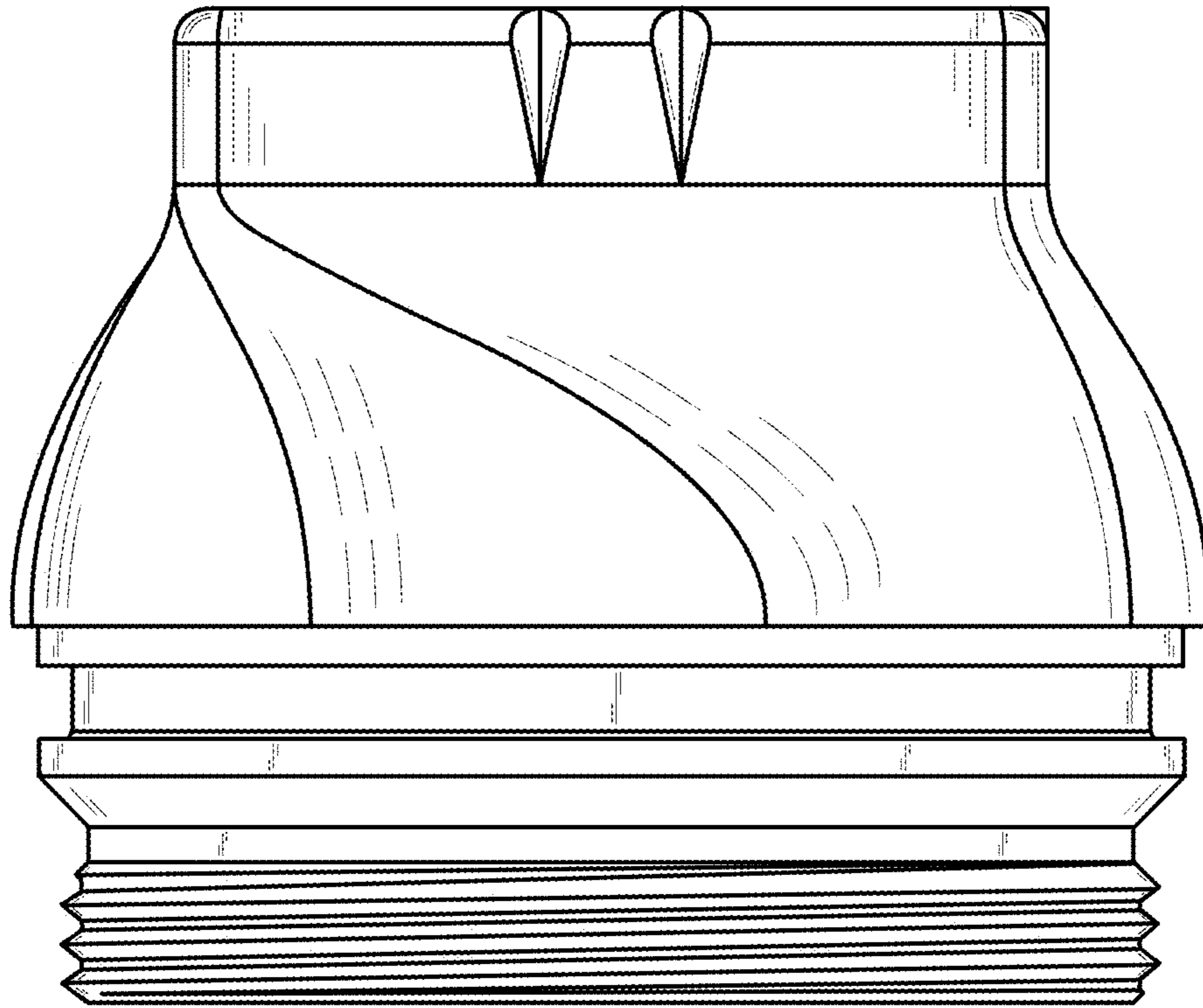


FIG. 7

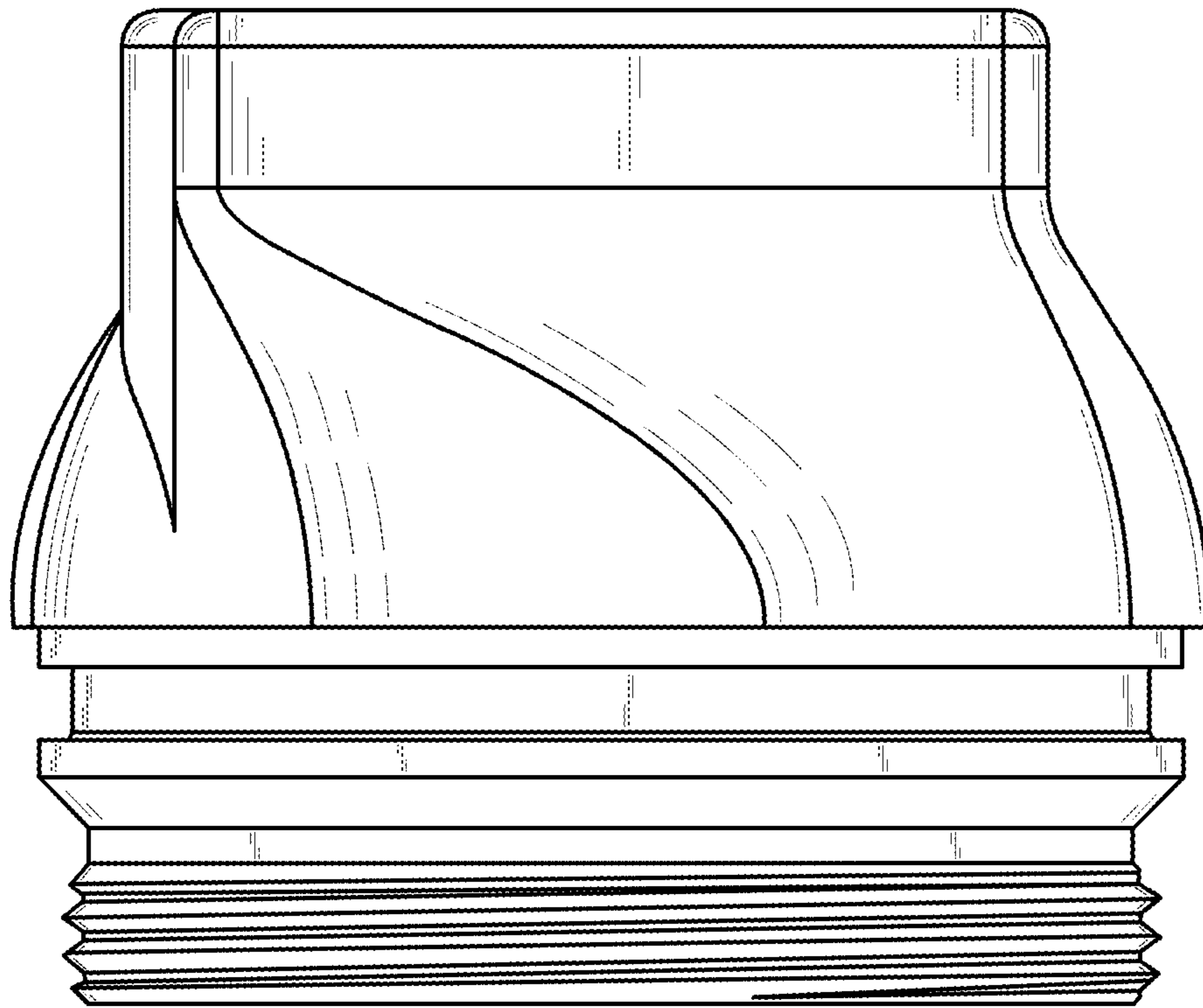


FIG. 8

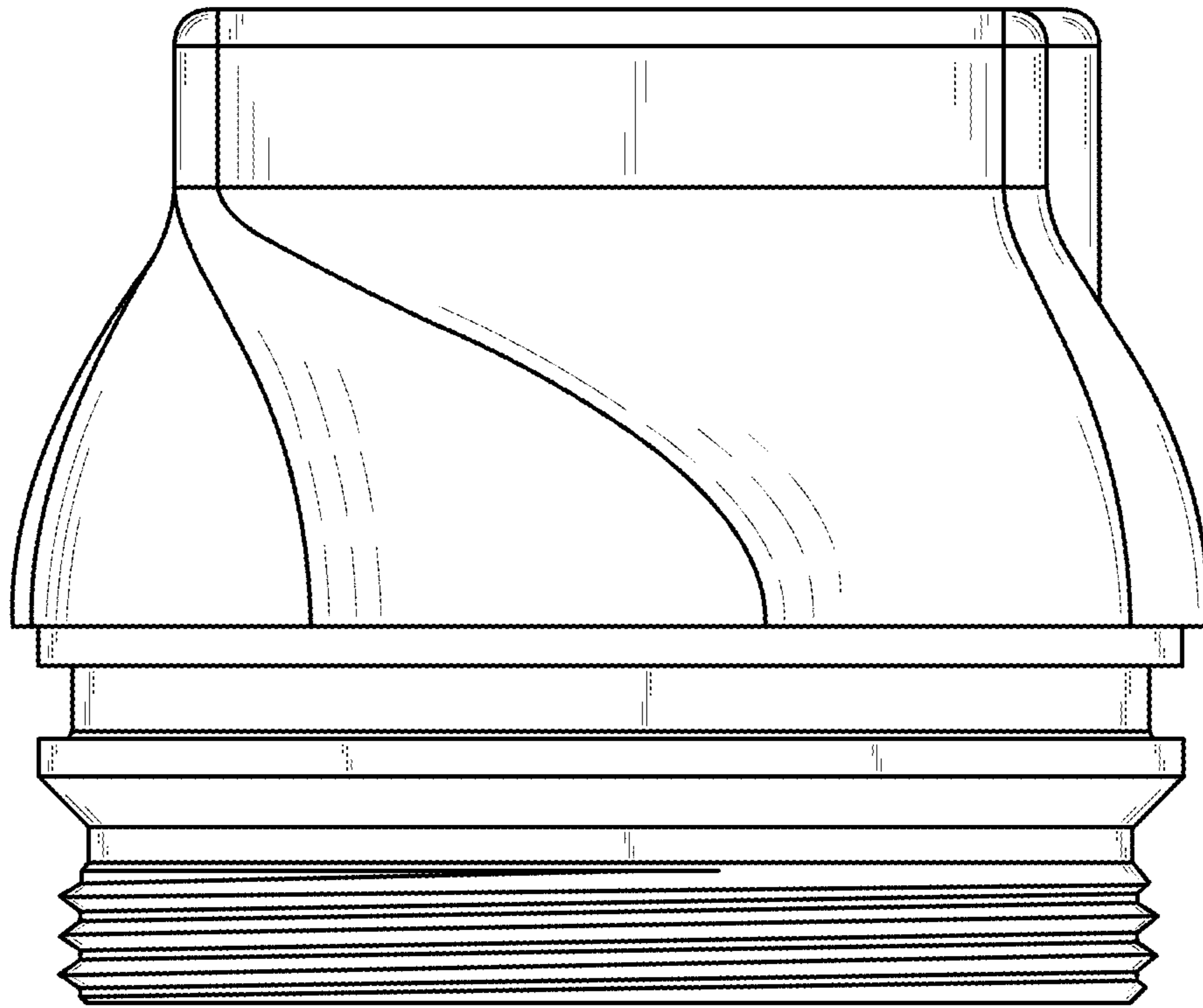


FIG. 9